



US00D624086S

(12) **United States Design Patent**
Gilbert et al.

(10) **Patent No.:** **US D624,086 S**
(45) **Date of Patent:** **** Sep. 21, 2010**

(54) **WIRELESS USB MODEM**

(75) Inventors: **William A. Gilbert**, Carlsbad, CA (US);
Tony Ornelas, San Diego, CA (US);
James B. Engleson, Vancouver (CA)

(73) Assignee: **Sierra Wireless, Inc.**, Richmond (CA)

(**) Term: **14 Years**

(21) Appl. No.: **29/325,125**

(22) Filed: **Sep. 25, 2008**

(30) **Foreign Application Priority Data**

Jun. 13, 2008 (CA) 126493

(51) **LOC (9) Cl.** **14-02**

(52) **U.S. Cl.** **D14/480.5; D14/242**

(58) **Field of Classification Search** D14/356,
D14/411, 433, 435.1, 436, 137, 155, 167,
D14/168, 203.1–203.8, 240, 242, 299, 480.1–480.7,
D14/484.1, 140, 218, 358, 217, 238.1; D3/201,
D3/273; D13/107, 108, 149, 184, 168; 710/300,
710/301; 439/131, 135–147; 361/679.31,
361/679.33, 679.4, 752; 711/100, 115; 360/69;
379/220.01, 221.01–221.02, 25, 93.09, 93.15,
379/93.14, 156, 900; 455/550.1, 557

See application file for complete search history.

(56) **References Cited**

U.S. PATENT DOCUMENTS

D291,888 S * 9/1987 Fong et al. D14/155
D297,518 S * 9/1988 Yuen D10/106
D337,328 S * 7/1993 Beaumont et al. D14/142

D486,788 S * 2/2004 Riede D13/108
D496,653 S * 9/2004 Townsend et al. D14/240
D529,044 S * 9/2006 Andre et al. D14/203.3
D569,375 S * 5/2008 Yu et al. D14/385
D583,816 S * 12/2008 Guccione et al. D14/358
D607,462 S * 1/2010 Chen D14/480.5
D610,134 S * 2/2010 Gotzen D14/242

OTHER PUBLICATIONS

Drone—Plug & Play 100-meter range Bluetooth VOIP and Music for your PC, [online], [retrieved on Oct. 14, 2008]. Retrieved from the Internet <URL: <http://www.callpod.com/products/drone>>.*

* cited by examiner

Primary Examiner—Robin V Webster
Assistant Examiner—Karen E Kearney

(74) *Attorney, Agent, or Firm*—Christensen O'Connor Johnson Kindness PLLC

(57) **CLAIM**

The ornamental design for a wireless USB modem, as shown and described.

DESCRIPTION

FIG. 1 is a front perspective view of a wireless USB modem showing our new design;

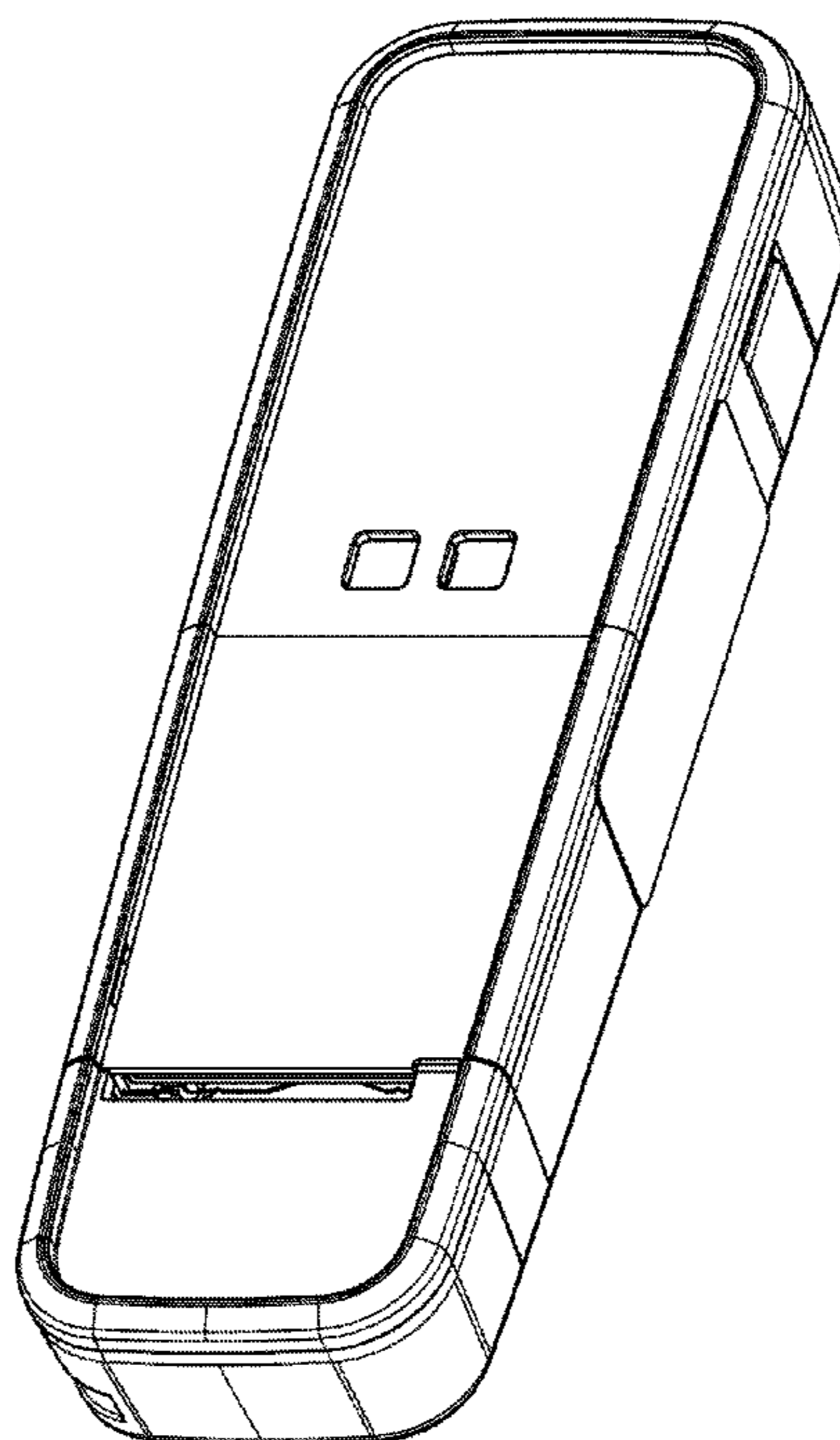
FIG. 2 is a left side view of a wireless USB modem of FIG. 1;

FIG. 3 is a right side view of a wireless USB modem of FIG. 1;

FIG. 4 is a rear side view of a wireless USB modem of FIG. 1; and,

FIG. 5 is a front view of a wireless USB modem of FIG. 1.

1 Claim, 5 Drawing Sheets



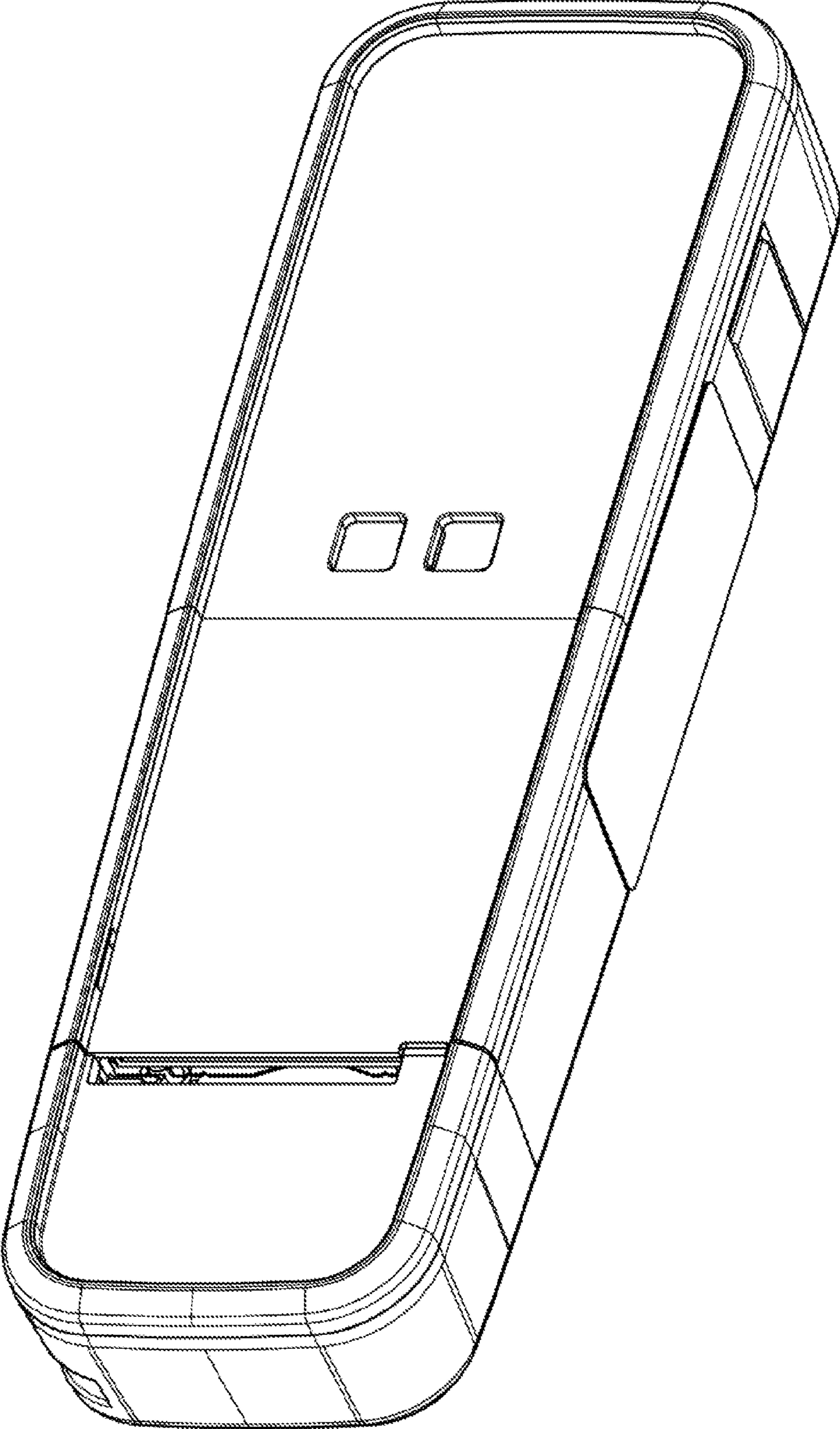


Fig. 1.

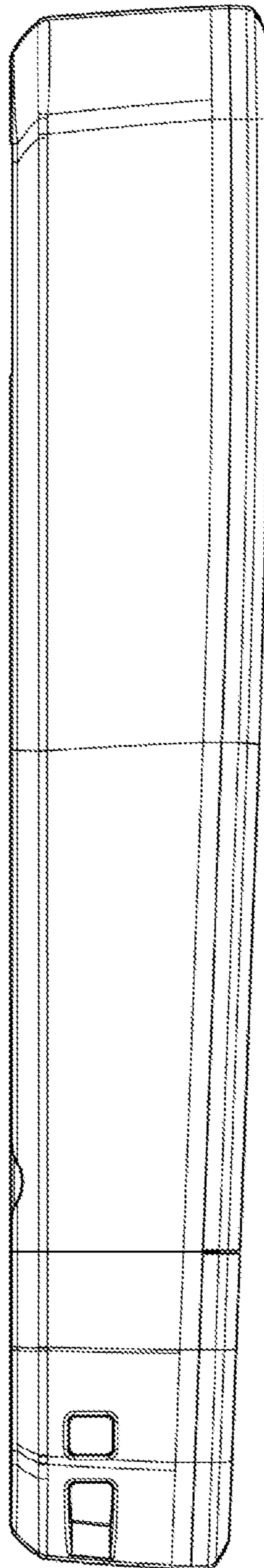


Fig. 2.

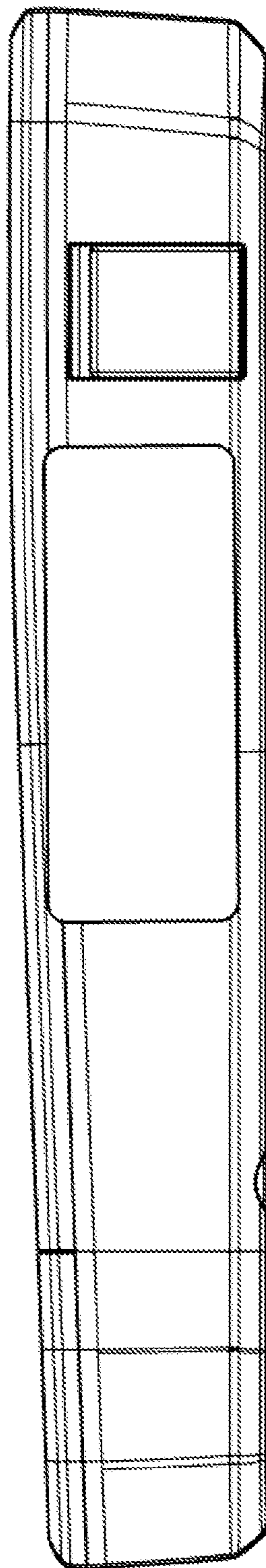


Fig.3.

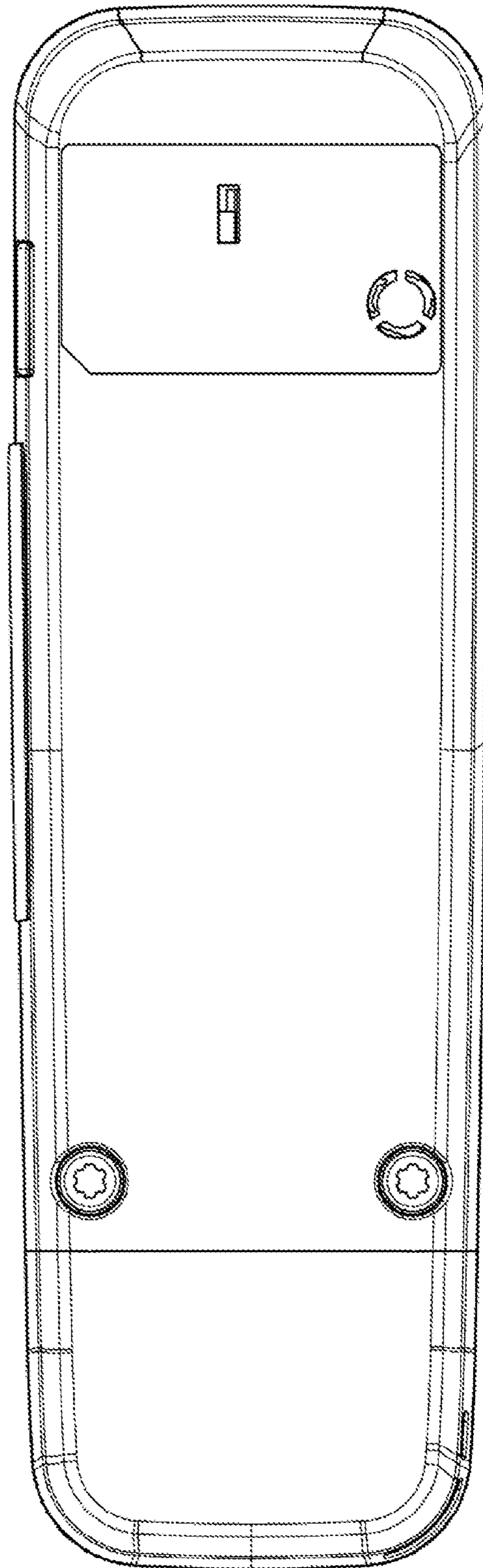


Fig. 4.

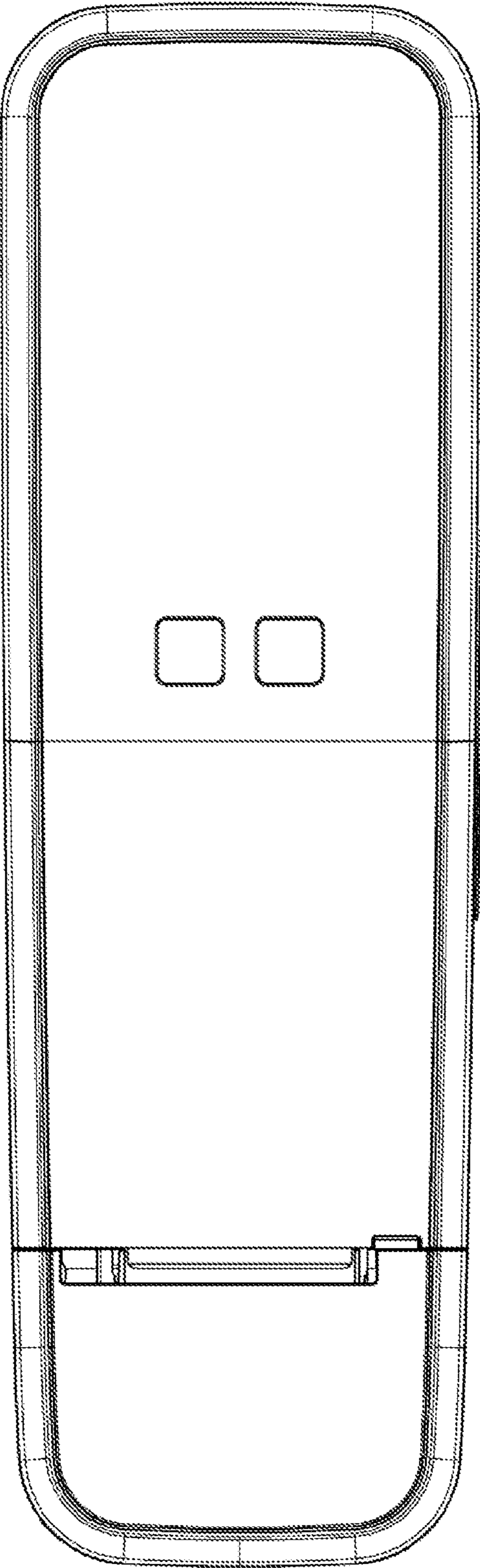


Fig. 5.