



US00D624083S

(12) **United States Design Patent**
Scheper et al.

(10) **Patent No.:** **US D624,083 S**

(45) **Date of Patent:** **** Sep. 21, 2010**

(54) **SUPPORT**

6,994,303 B2 2/2006 Lin et al.
6,994,306 B1 2/2006 Sweere et al.

(75) Inventors: **Robert M. Scheper**, Grand Rapids, MI (US); **Steven J. Beukema**, Ada, MI (US); **Lane D. Sturman**, Allegan, MI (US); **Erik R. Peterson**, Spring Lake, MI (US); **Douglas D. Buyce**, Ada, MI (US)

(Continued)

FOREIGN PATENT DOCUMENTS

WO 03092341 A2 6/2003

(73) Assignee: **Steelcase Inc.**, Grand Rapids, MI (US)

Primary Examiner—Jennifer Rivard
Assistant Examiner—Angela J Lee
(74) *Attorney, Agent, or Firm*—Quarles & Brady LLP

(**) Term: **14 Years**

(21) Appl. No.: **29/338,397**

(57) **CLAIM**

(22) Filed: **Jun. 10, 2009**

The ornamental design for a support, as shown and described.

(51) **LOC (9) Cl.** **32-00**

DESCRIPTION

(52) **U.S. Cl.** **D14/452**

(58) **Field of Classification Search** D14/447,
D14/451, 452, 432, 439, 448, 457, 203.8,
D14/217, 224, 224.1, 238.1, 239, 251, 252,
D14/253, 371, 372, 373, 374, 375, 376, 377,
D14/378, 379, 381, 382, 434, 126; D6/310,
D6/311, 312, 313, 314, 406.3, 406.4, 406.5,
D6/406.6, 419, 420; D8/383, 373, 380;
D12/415; 379/454, 455; 312/223.3; 248/917,
248/918, 919, 920, 921, 922, 923, 924, 447.2,
248/455, 460, 228.6, 276.1, 281.11; 361/679.02,
361/679.04, 679.06, 679.07, 679.09, 679.21,
361/679.26, 679.27, 679.3, 679.55, 679.56

FIG. 1 is a right, top, front perspective view of a support embodying our new design shown in a retracted position with mounting bracket environment shown partially broken away; FIG. 2 is a front elevational view thereof, with the mounting bracket environment again shown partially broken away; FIG. 3 is a rear elevational view thereof; FIG. 4 is a top plan view thereof; FIG. 5 is bottom plan view thereof; FIG. 6 is a right side elevational view thereof; and, FIG. 7 is a left side elevational view thereof.

See application file for complete search history.

The mounting bracket is shown as partially broken away to indicate that no particular length is claimed.

(56) **References Cited**

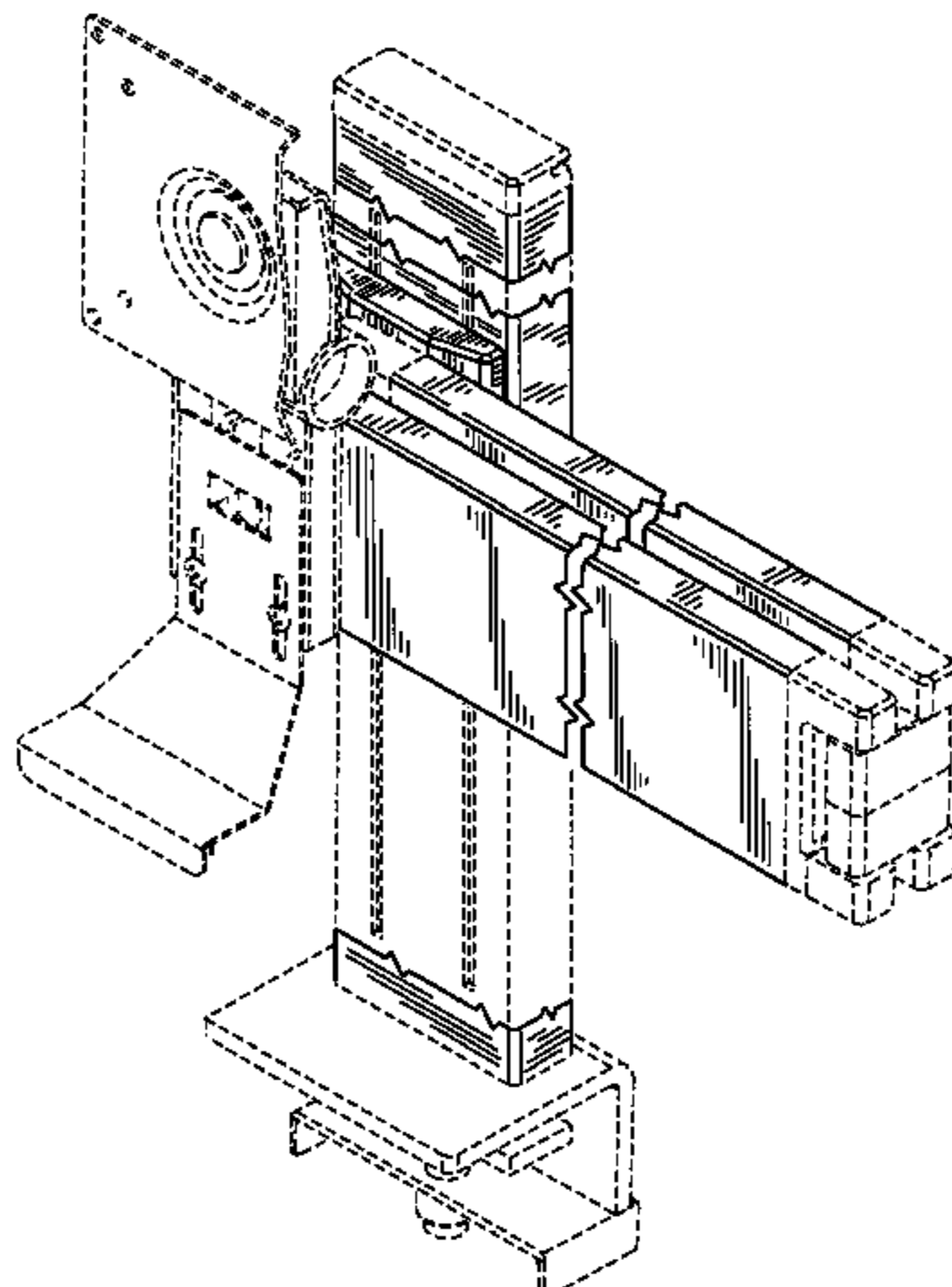
U.S. PATENT DOCUMENTS

1,682,180 A 8/1928 Merrill
5,299,338 A 4/1994 Foster
5,537,290 A 7/1996 Brown et al.
5,904,328 A 5/1999 Leveridge et al.
D425,036 S * 5/2000 Copus et al. D14/375
D430,570 S * 9/2000 Lee D14/451
RE36,978 E 12/2000 Moscovitch
6,343,006 B1 1/2002 Moscovitch et al.
D462,359 S * 9/2002 Scharer et al. D14/452

The support is shown as partially broken away to indicate that no particular length is claimed. The portions of the support shown in broken lines form no part of the claimed design. The broken lines immediately adjacent to the shaded surface areas are unclaimed boundary lines and form no part of the claimed design.

In a preferred embodiment, the nature of this product is a support which is primarily useful for adjustably mounting electronic devices, such as various displays and monitors.

1 Claim, 6 Drawing Sheets



US D624,083 S

Page 2

U.S. PATENT DOCUMENTS

D522,009 S *	5/2006	Chen	D14/452	D598,458 S *	8/2009	Li	D14/451
D559,087 S *	1/2008	Ciungan	D8/363	D603,386 S *	11/2009	Le	D14/239
D561,569 S	2/2008	Wohlford et al.			7,621,500 B2 *	11/2009	Ishizaki et al.	248/371
7,331,551 B2	2/2008	Oddsens, Jr.			2003/0015632 A1	1/2003	Dunn et al.		
D563,399 S *	3/2008	Wohlford et al.	D14/239	2003/0075653 A1 *	4/2003	Li	248/274.1
D580,421 S *	11/2008	Sculler et al.	D14/239	2005/0036282 A1 *	2/2005	Hardage	361/683
D584,734 S *	1/2009	Chu	D14/452	2006/0185563 A1	8/2006	Sweere et al.		
7,529,083 B2	5/2009	Jeong			2007/0259554 A1	11/2007	Lindblad et al.		

* cited by examiner

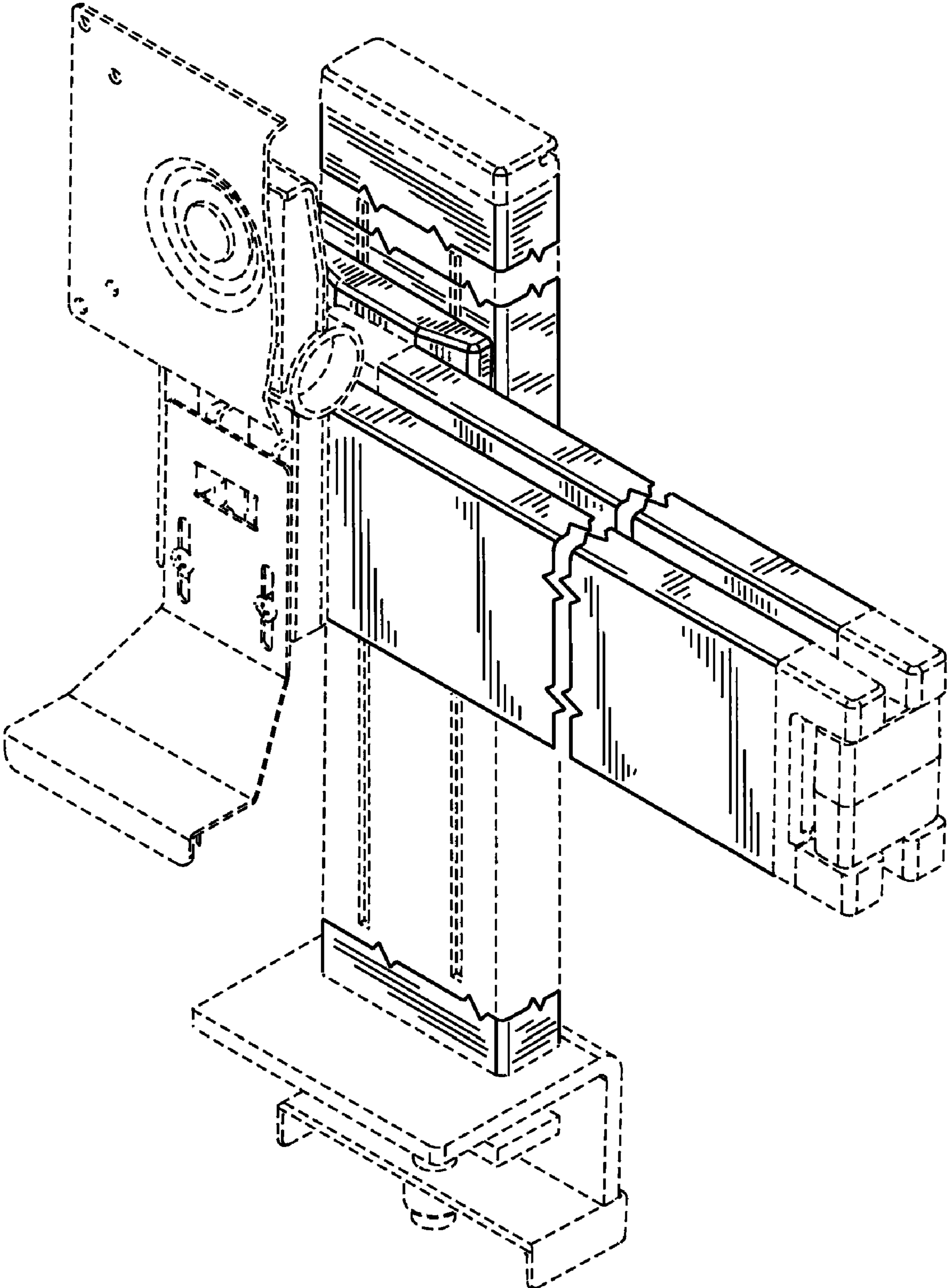


FIG. 1

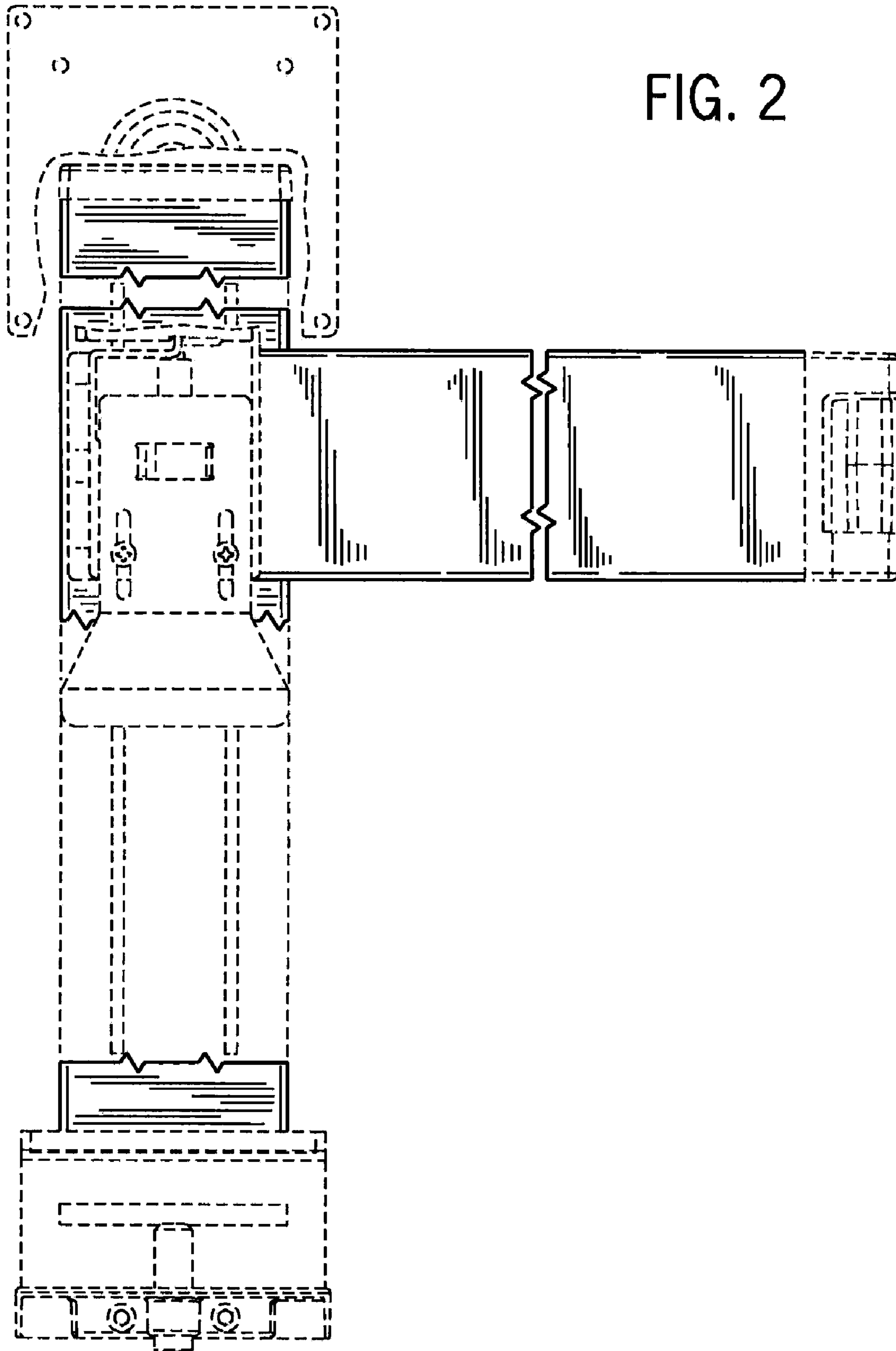
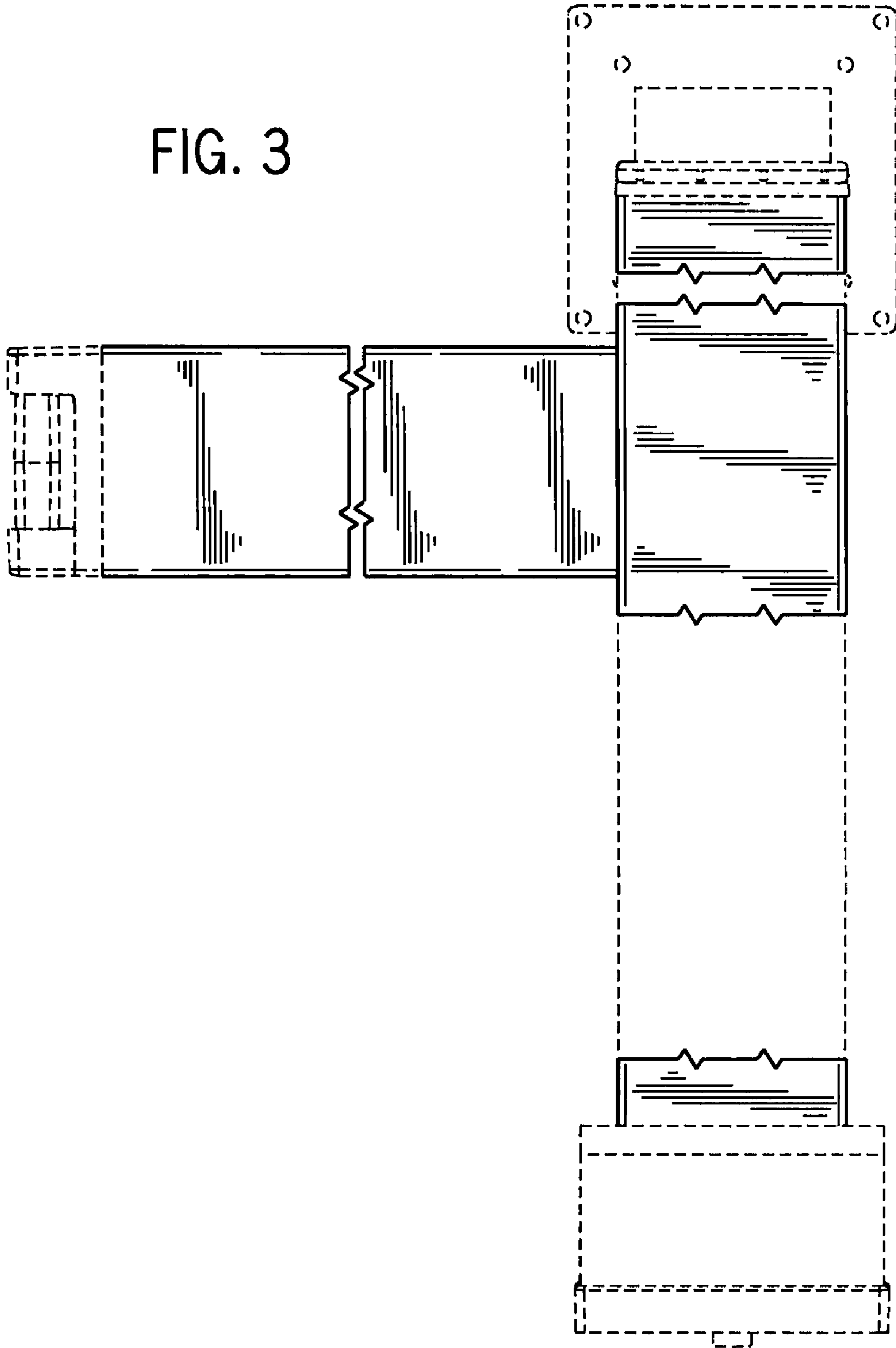
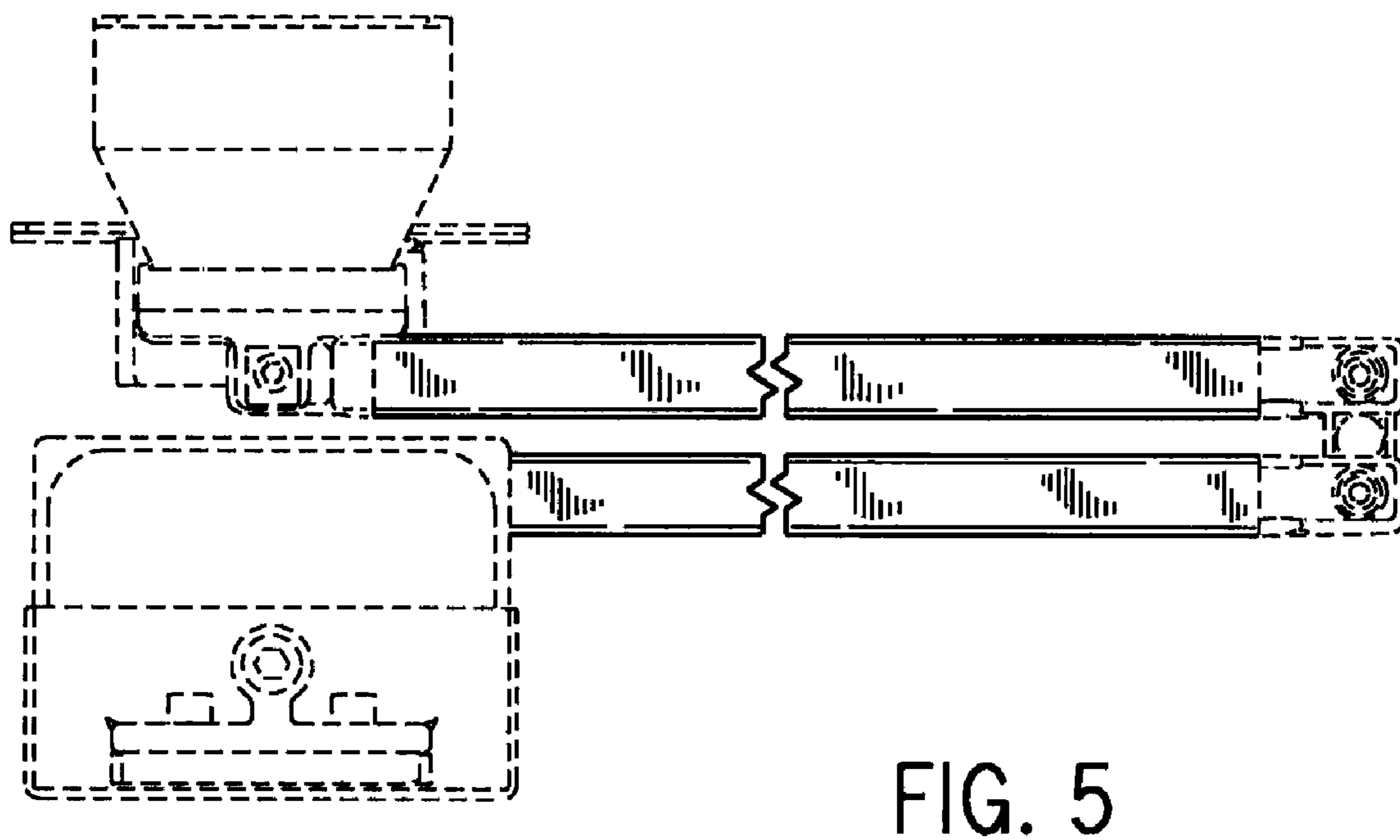
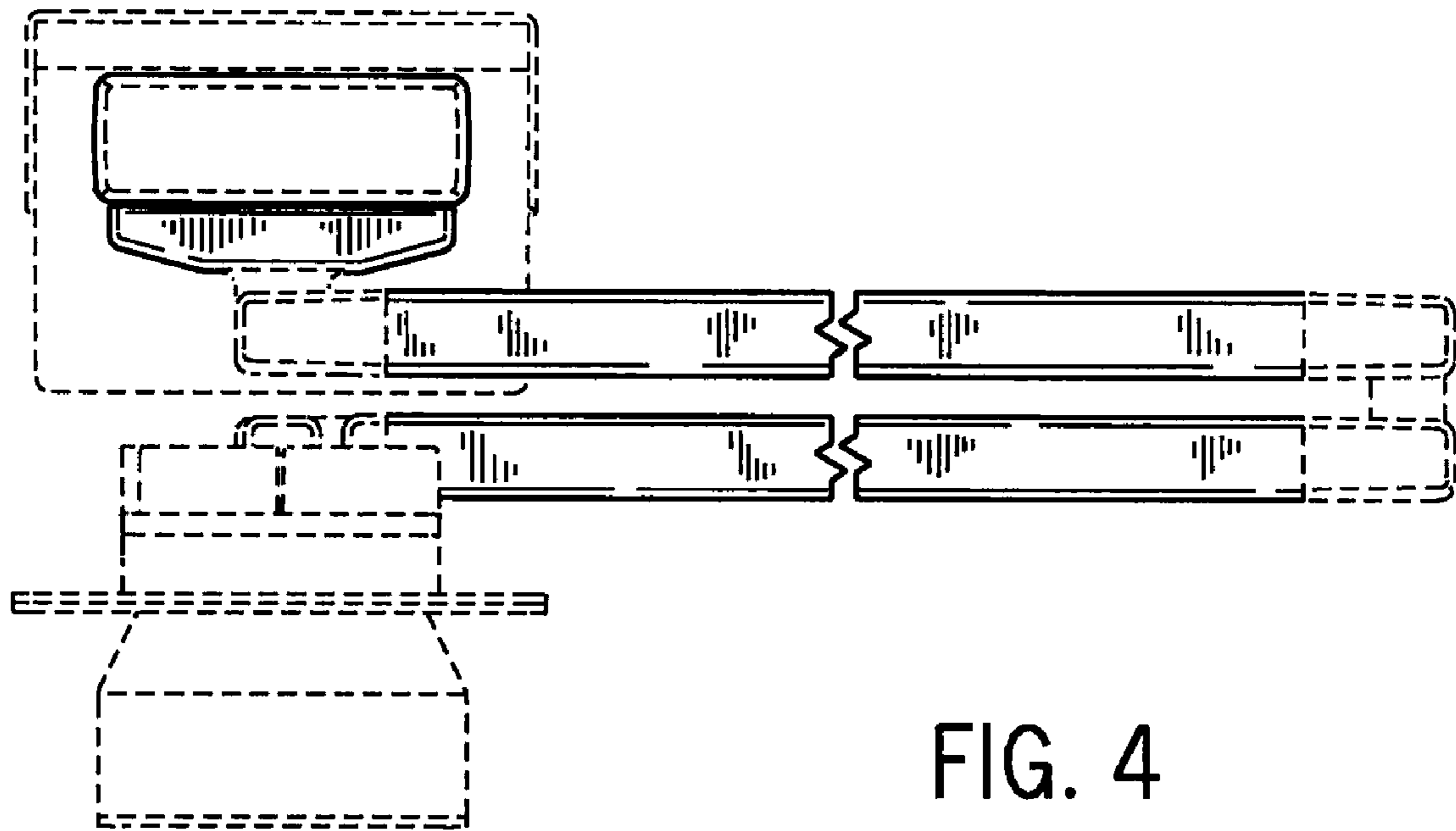


FIG. 3





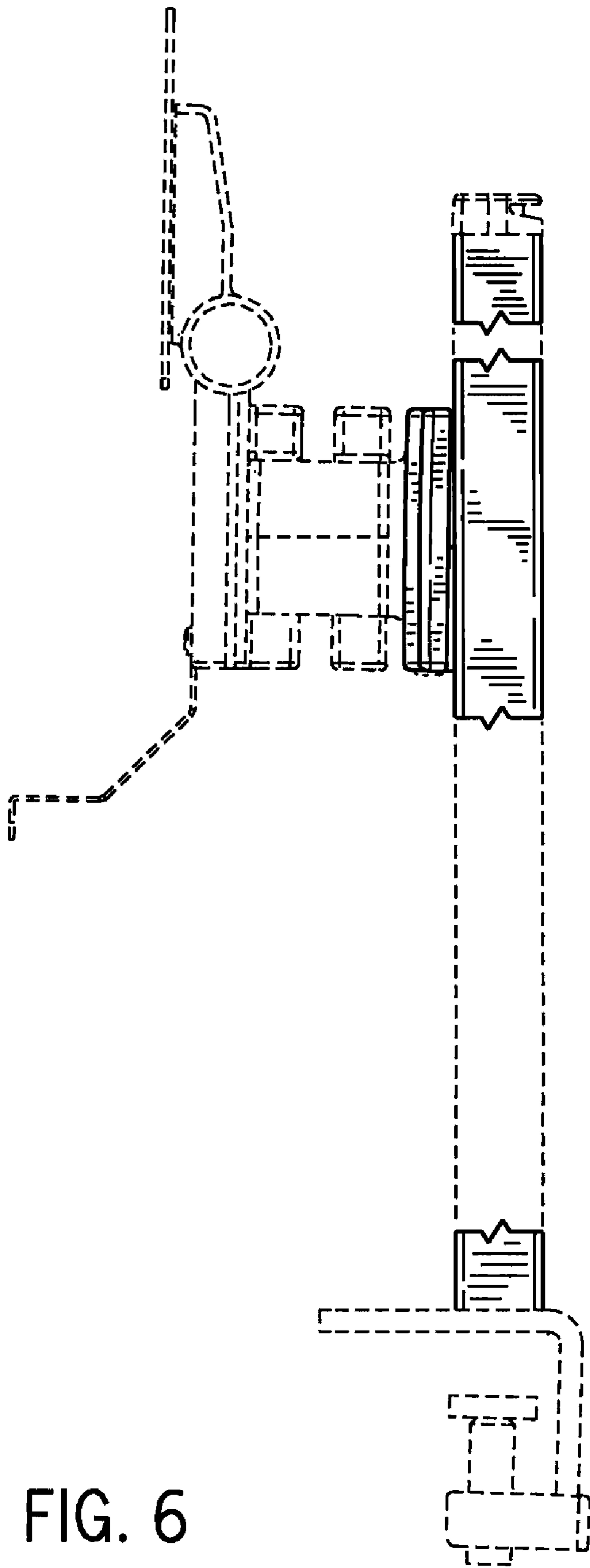


FIG. 6

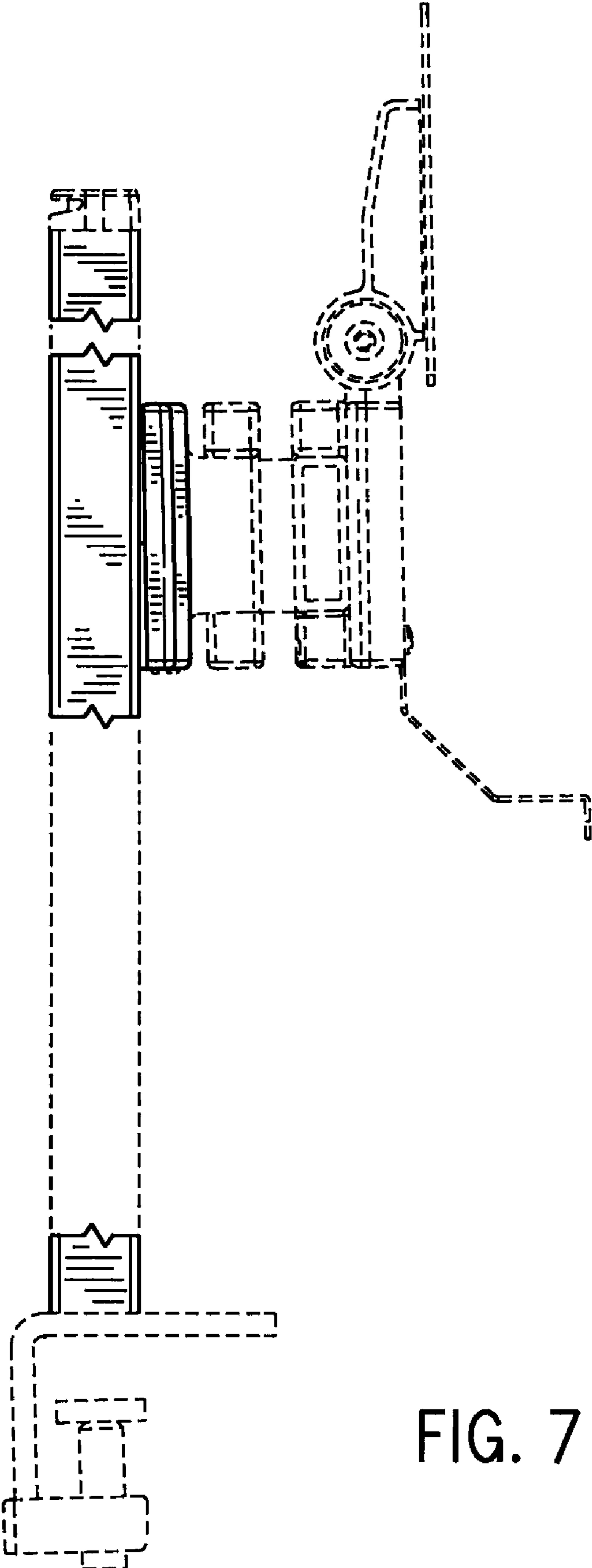


FIG. 7