



US00D624082S

(12) **United States Design Patent**
Liu

(10) **Patent No.:** **US D624,082 S**

(45) **Date of Patent:** **** Sep. 21, 2010**

(54) **MONITOR PROTECTOR**

(75) Inventor: **Chun-Lin Liu**, Tainan (TW)

(73) Assignee: **Jun Ron Technology Co., Ltd.**, Tainan (TW)

(**) Term: **14 Years**

(21) Appl. No.: **29/345,467**

(22) Filed: **Oct. 16, 2009**

(51) **LOC (9) Cl.** **14-02**

(52) **U.S. Cl.** **D14/449**

(58) **Field of Classification Search** D14/448,
D14/449, 450, 451, 452, 432, 439, 440, 305,
D14/306, 307, 336, 339, 340, 356, 371, 372,
D14/373, 374, 375, 376, 377, 378, 379, 380,
D14/381, 382, 125, 126, 127, 128, 129, 239;
D6/300, 308; D3/218, 271.2; D19/26, 27,
D19/32, 33, 91; 348/794, 832; 361/679.21;
248/917, 918, 919, 920, 921, 922, 923, 924,
248/442.2; 345/32, 609, 738; 349/58; 206/320;
40/765, 771

See application file for complete search history.

(56) **References Cited**

U.S. PATENT DOCUMENTS

D311,739	S	*	10/1990	De Lucchi	D14/450
D338,194	S	*	8/1993	Hartwig	D14/450
D350,342	S	*	9/1994	Sack	D14/450
D360,199	S	*	7/1995	Shu-Ying	D14/450
D361,993	S	*	9/1995	Egly et al.	D14/450
5,448,405	A	*	9/1995	Clausen et al.	359/601
5,668,612	A	*	9/1997	Hung	348/818
5,797,570	A	*	8/1998	Dolan et al.	248/205.3
5,909,315	A	*	6/1999	Keehn	359/609
5,971,548	A	*	10/1999	Hung	359/609
D421,973	S	*	3/2000	Jacobson	D14/450
6,967,635	B2	*	11/2005	Hung	345/32
D612,818	S	*	3/2010	Lents, Jr.	D14/125

* cited by examiner

Primary Examiner—Jennifer Rivard

Assistant Examiner—Angela J Lee

(74) *Attorney, Agent, or Firm*—Alan Kamrath; Kamrath & Associates PA

(57) **CLAIM**

The ornamental design for monitor protector, as shown and described.

DESCRIPTION

FIG. 1 is a perspective view of a monitor protector showing my new design;

FIG. 2 is a front side elevational view thereof;

FIG. 3 is a rear side elevational view thereof;

FIG. 4 is a left side elevational view thereof;

FIG. 5 is a right side elevational view thereof;

FIG. 6 is a top plan view thereof;

FIG. 7 is a bottom plan view thereof;

FIG. 8 is an enlarged view of the portion of FIG. 1 indicated by a dashed circle 8;

FIG. 9 is a perspective view showing the monitor protector in a different position for use with a thicker monitor;

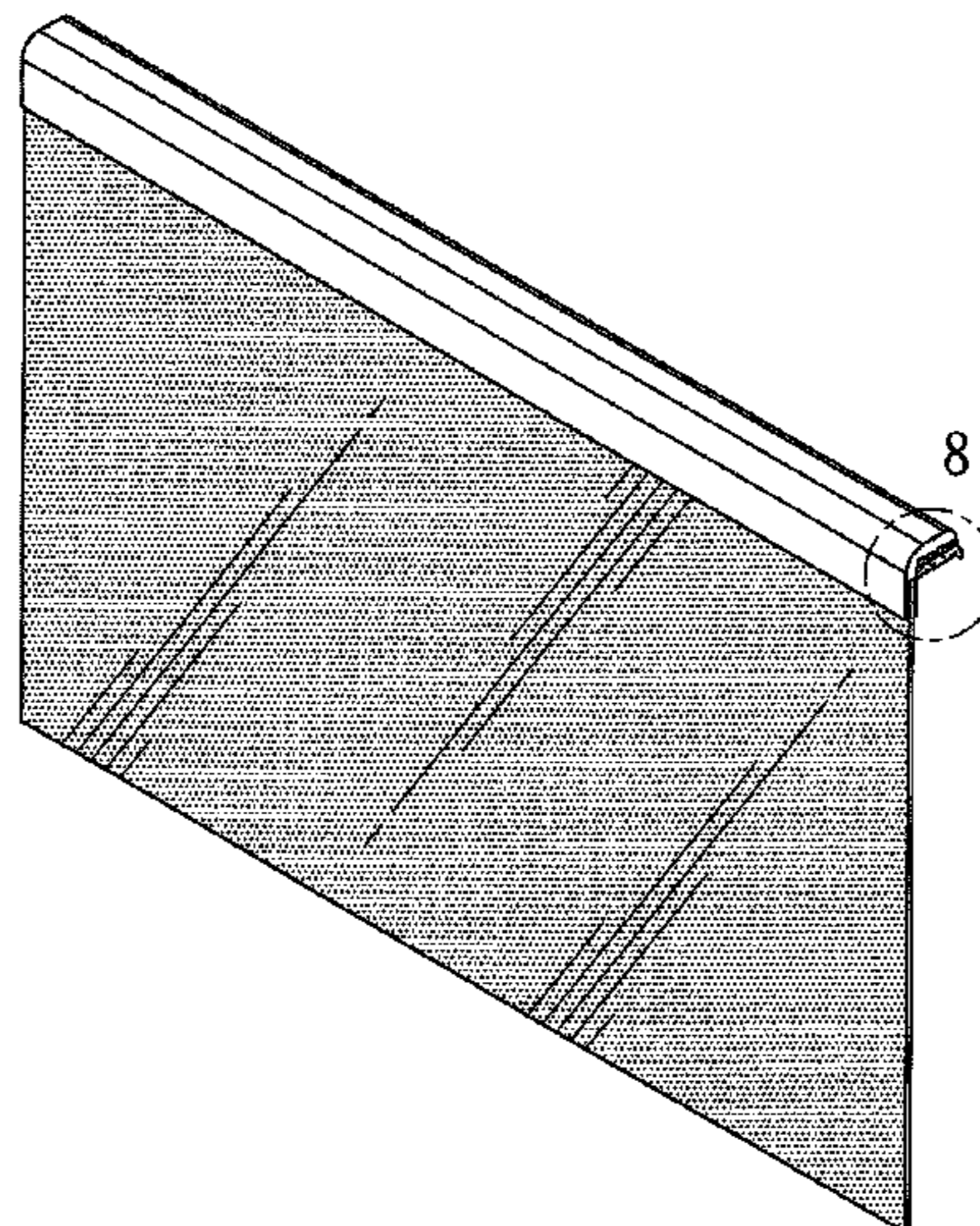
FIG. 10 is an enlarged view of the portion of FIG. 9 indicated by a dashed circle 10;

FIG. 11 is a perspective view showing the monitor protector in another different position for use with an even thicker monitor; and,

FIG. 12 is an enlarged view of the portion of FIG. 11 indicated by a dashed circle 12.

The dashed line circle is included to show the portion of the monitor protector shown in the enlarged views and forms no part of the claimed design.

1 Claim, 5 Drawing Sheets



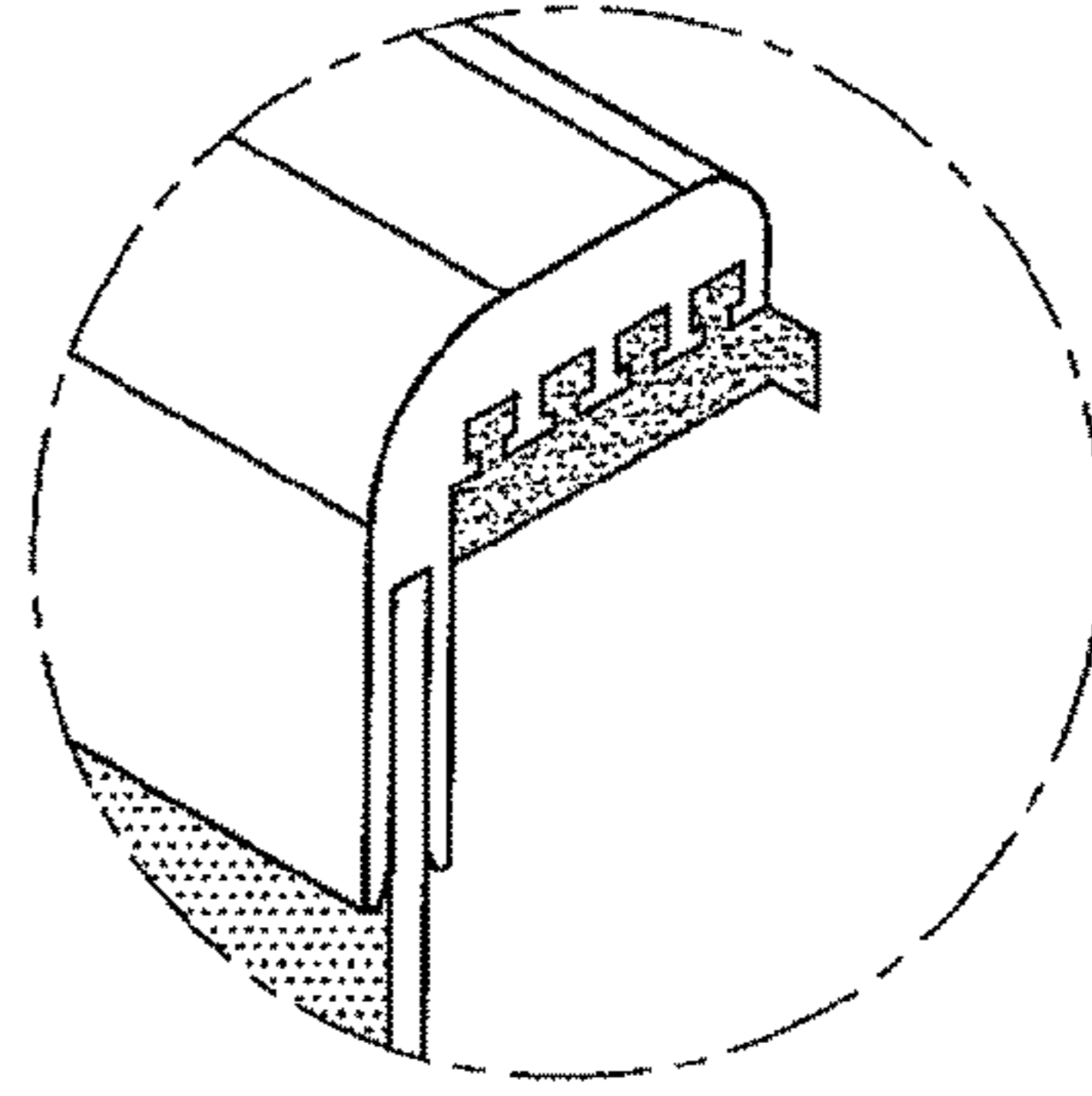


FIG. 8

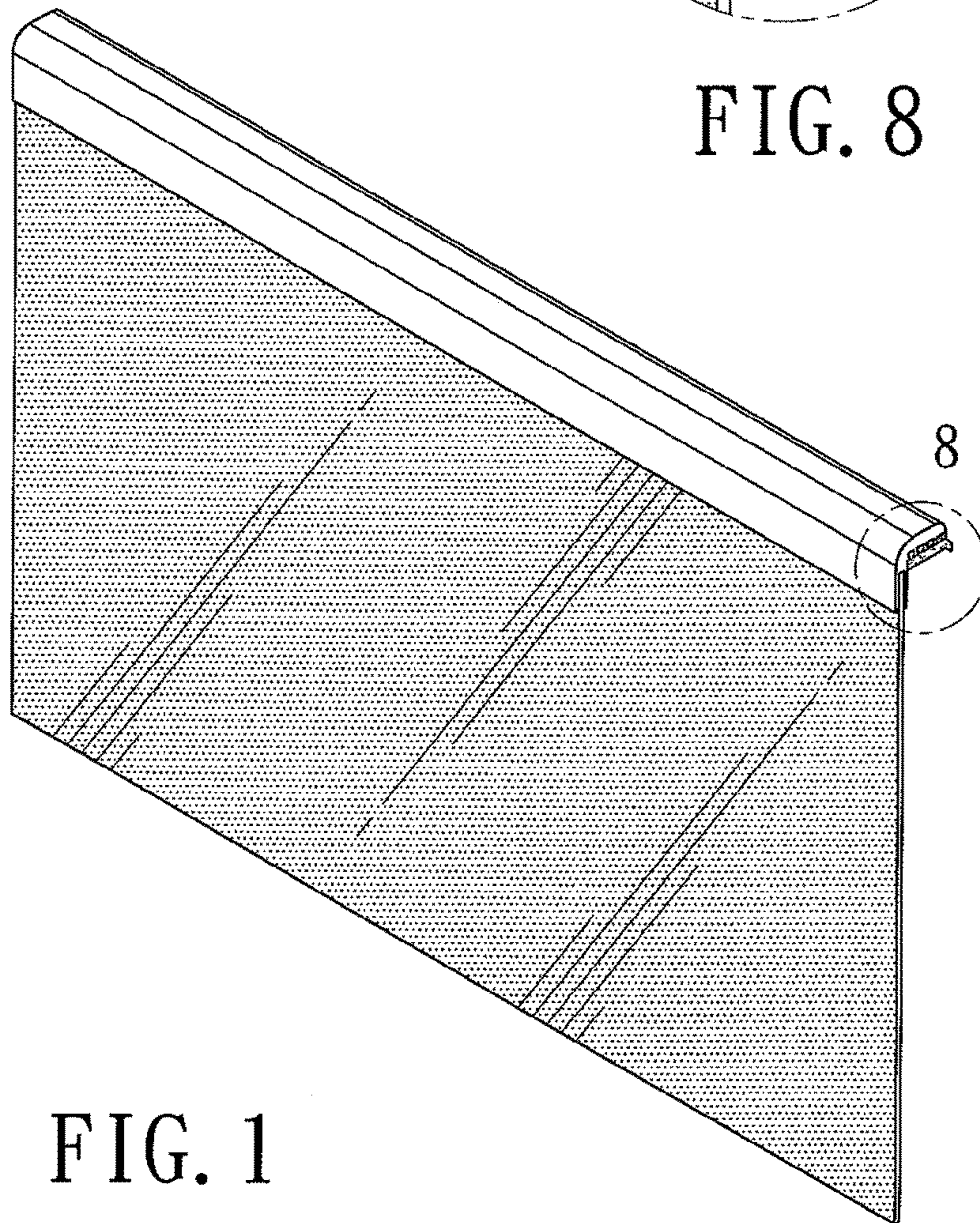


FIG. 1

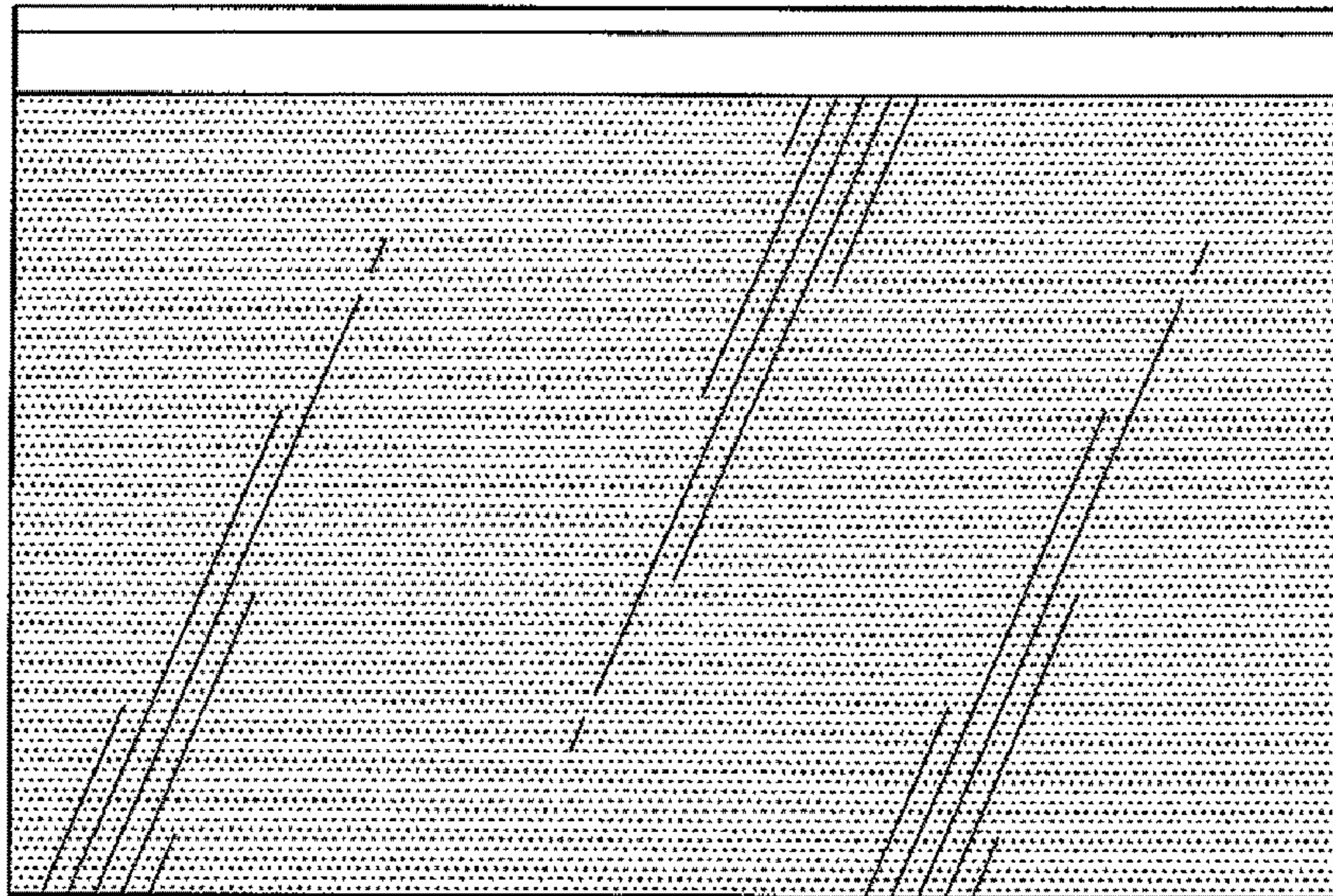


FIG. 2

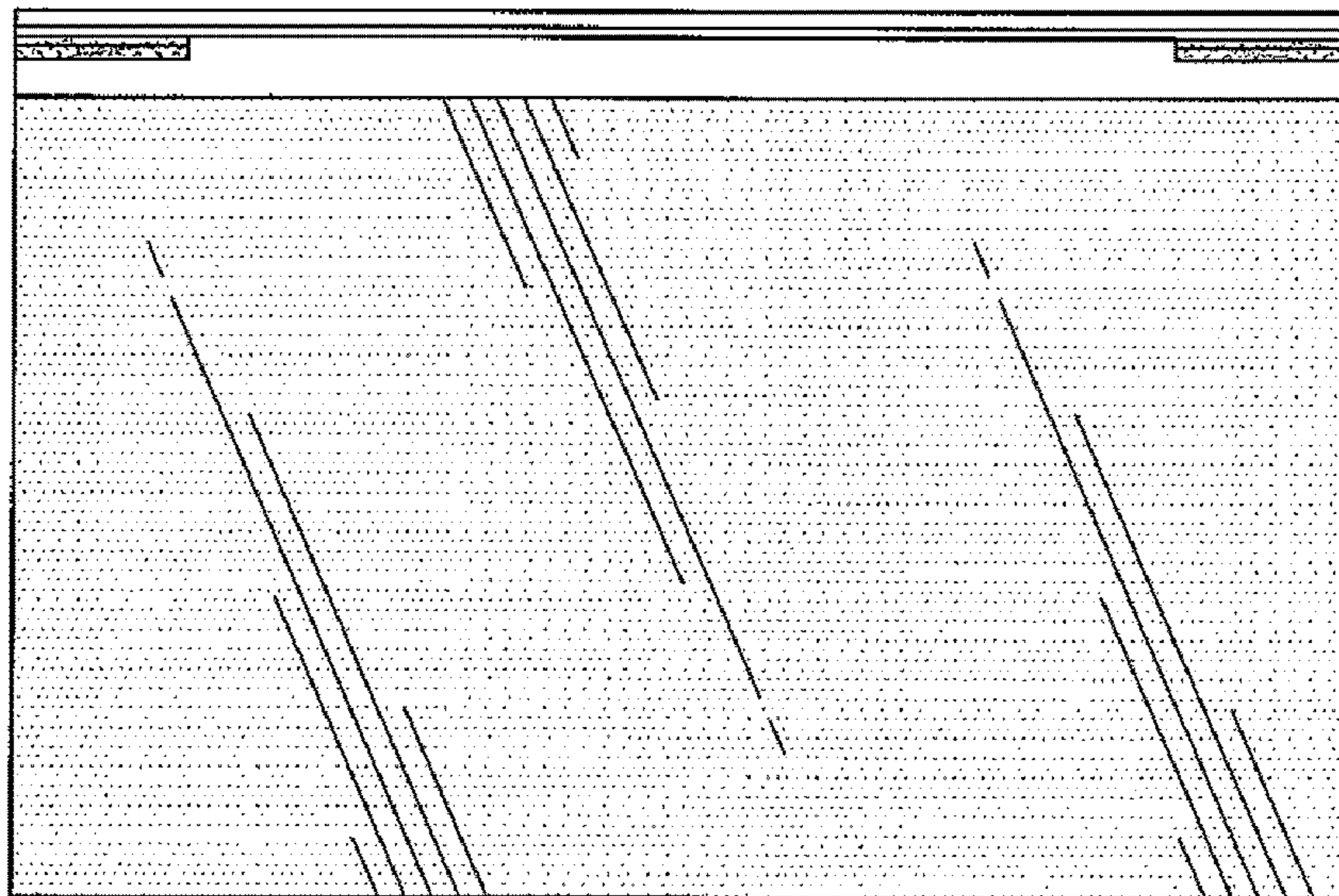


FIG. 3

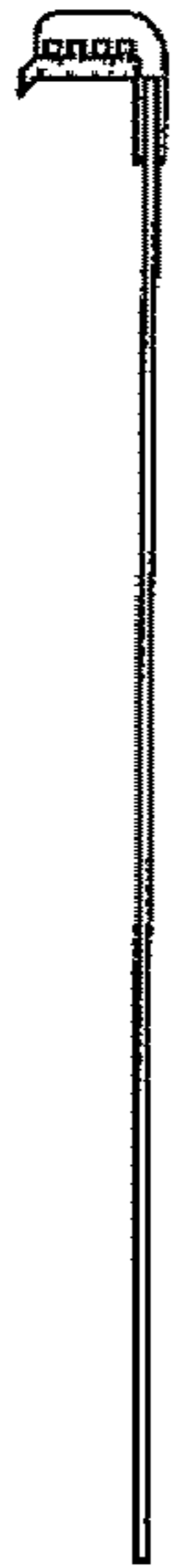


FIG. 4

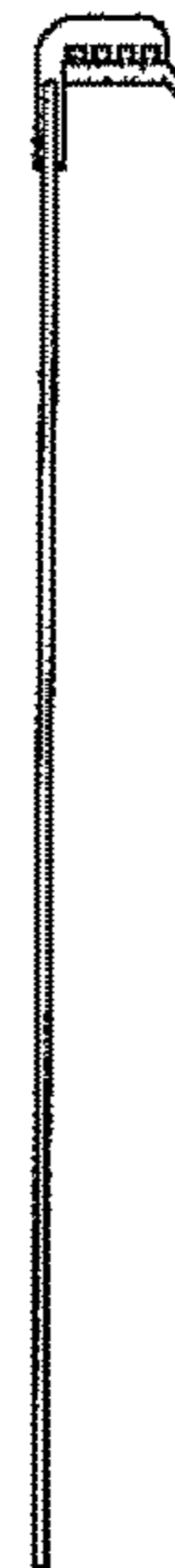


FIG. 5



FIG. 6



FIG. 7

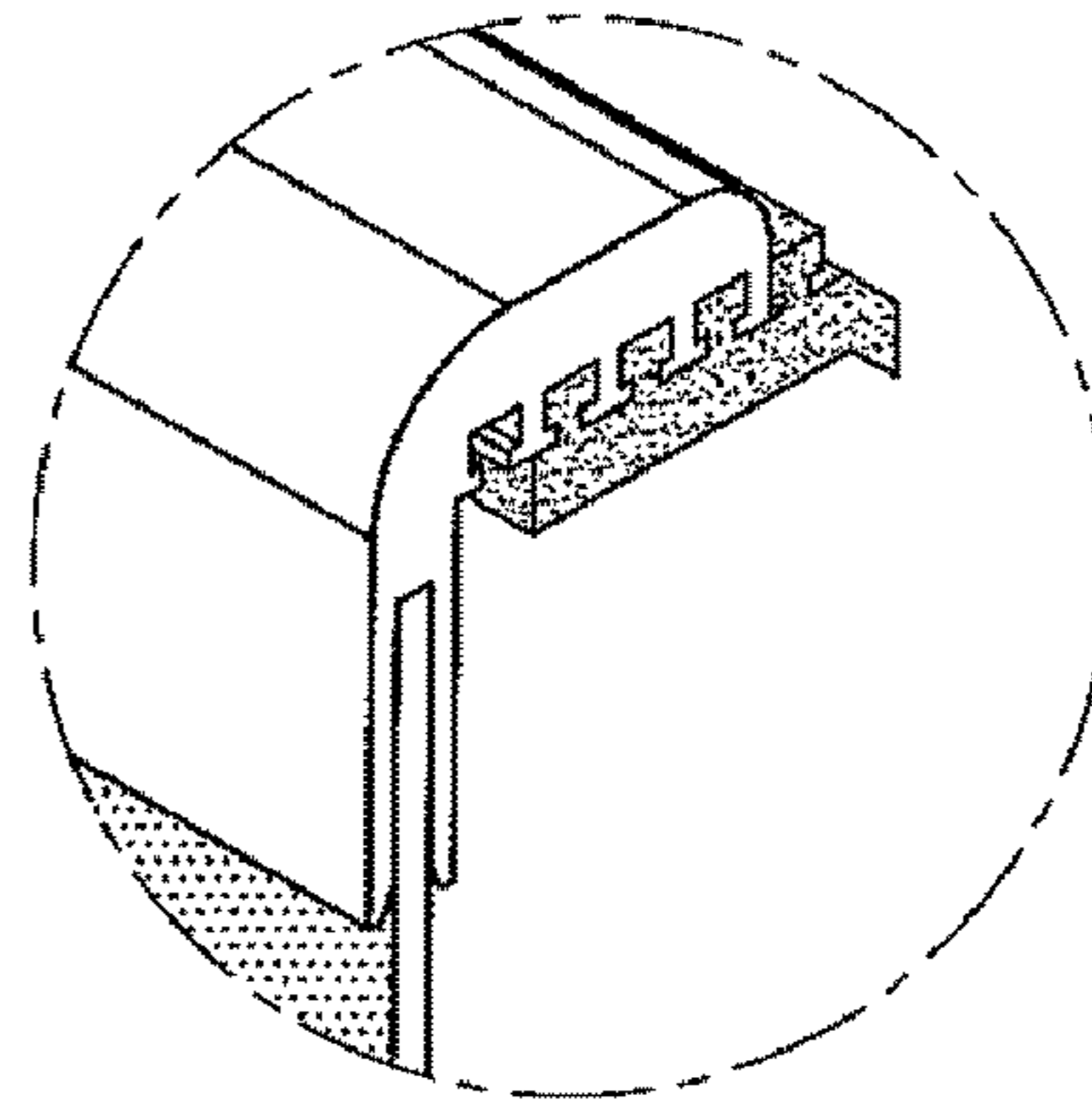


FIG. 10

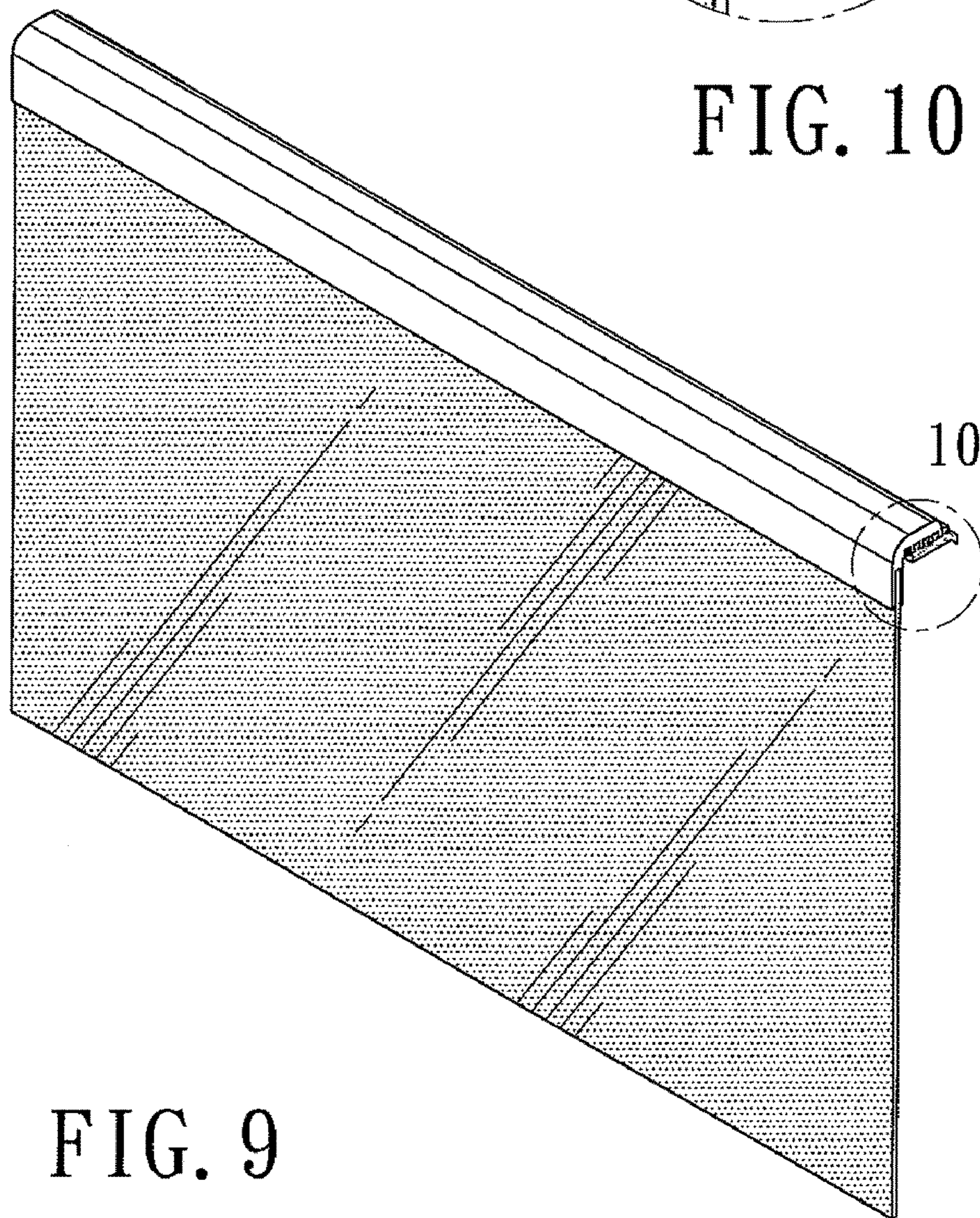


FIG. 9

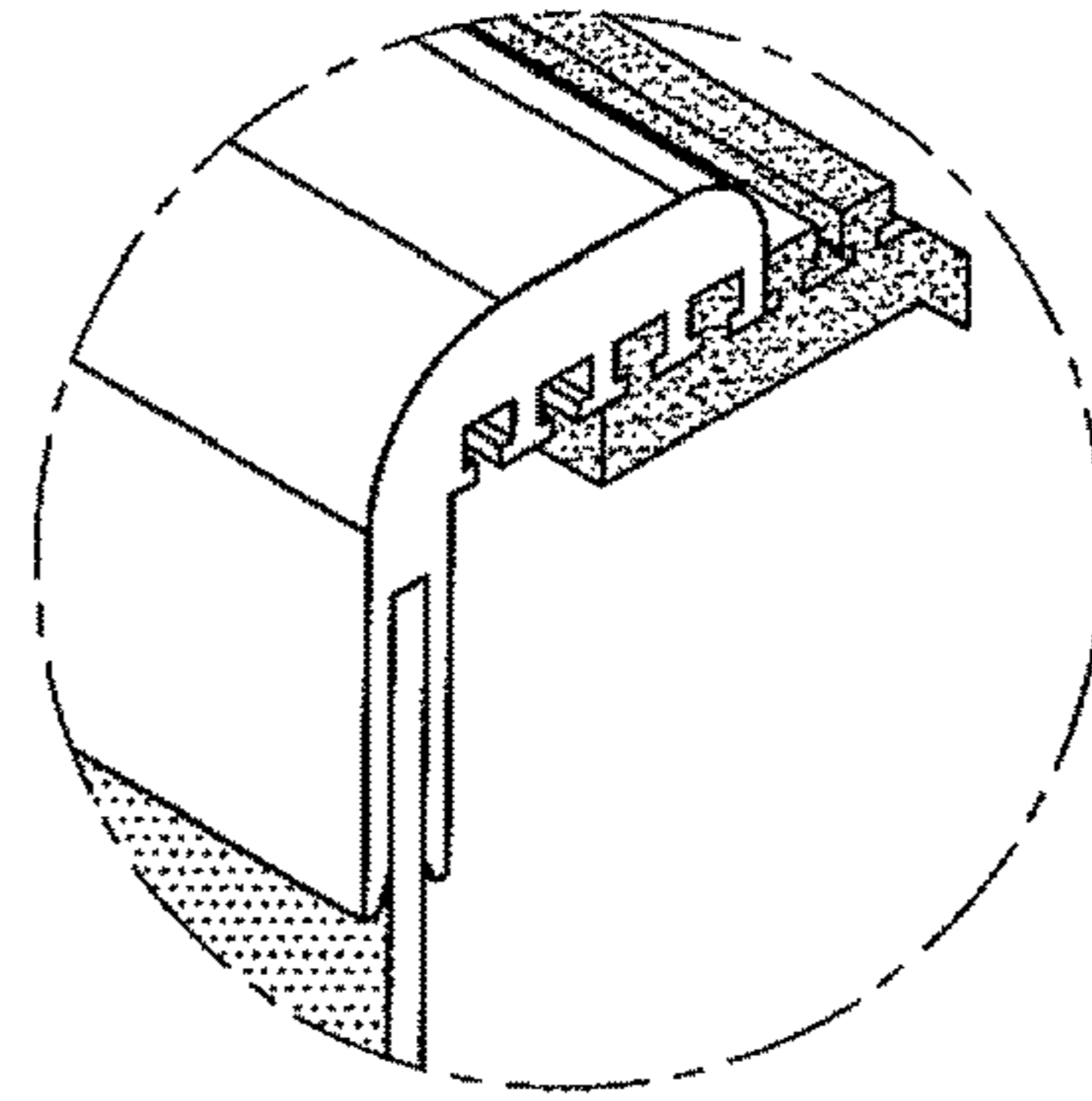


FIG. 12

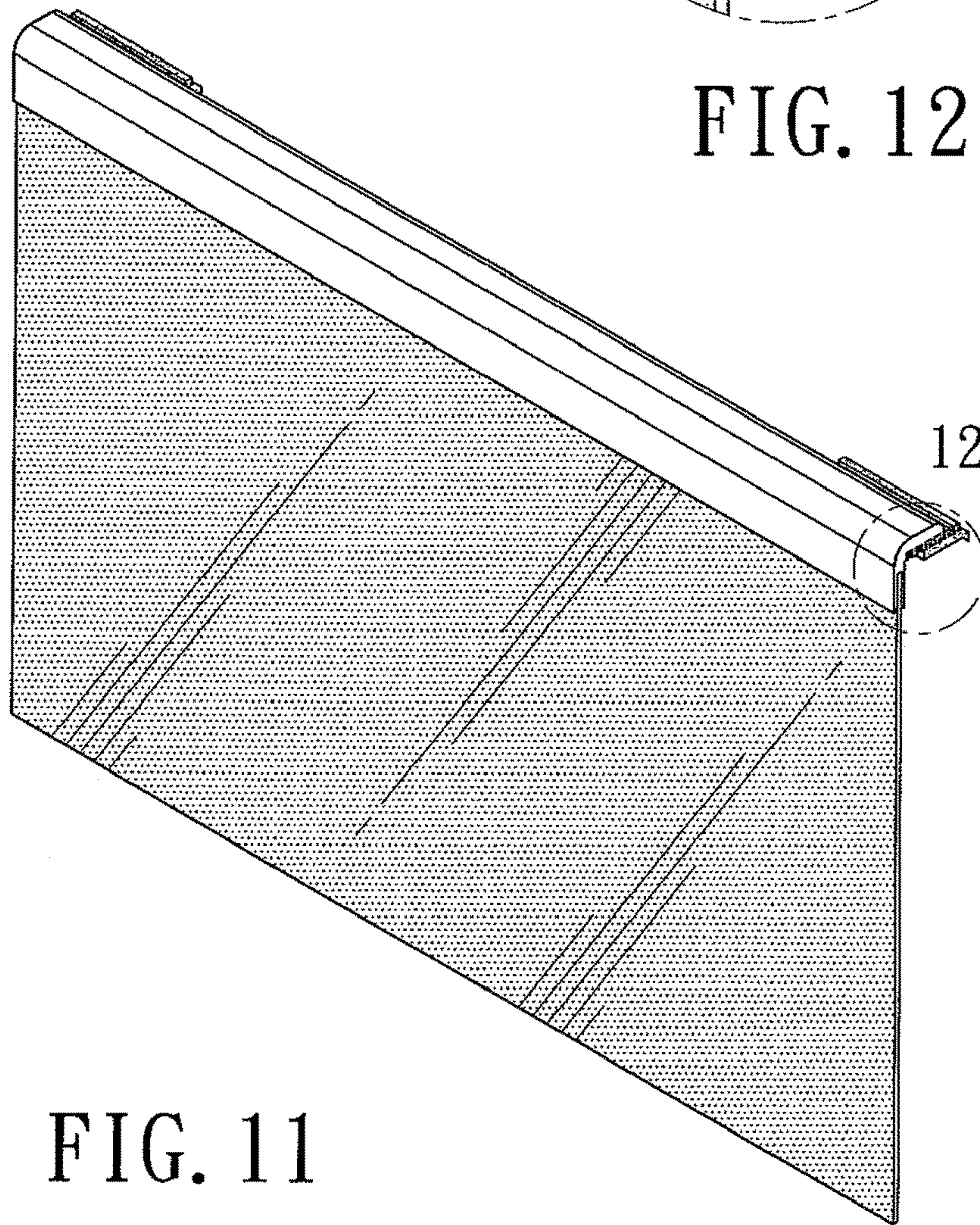


FIG. 11