



US00D624081S

(12) **United States Design Patent**
Nousiainen

(10) **Patent No.:** **US D624,081 S**
(45) **Date of Patent:** **** Sep. 21, 2010**

(54) **STYLUS**

(75) Inventor: **Esa Nousiainen**, Vantaa (FI)

(73) Assignee: **Nokia Corporation**, Espoo (FI)

(**) Term: **14 Years**

(21) Appl. No.: **29/359,813**

(22) Filed: **Apr. 15, 2010**

(51) **LOC (9) Cl.** **14-02**

(52) **U.S. Cl.** **D14/411**

(58) **Field of Classification Search** D8/61,
D8/1, 87; D14/411, 431, 404, 390; D19/35,
D19/36, 41-51, 54-58; 401/99, 100, 104-107;
345/179, 173; 178/19.01, 19.03; 700/994;
D3/10, 3, 5; D22/108; 135/25.1

See application file for complete search history.

(56) **References Cited**

U.S. PATENT DOCUMENTS

1,632,639	A *	6/1927	Weise	135/75
D247,752	S *	4/1978	Yanai	D27/147
D307,421	S *	4/1990	Tedham et al.	D14/411
5,004,203	A *	4/1991	Fabius	248/276.1
D333,334	S *	2/1993	Davidson	D22/108
D380,954	S *	7/1997	Pawlak	D8/87
D395,875	S *	7/1998	Aiken et al.	D14/411
D412,816	S *	8/1999	Thingvold	D8/1
D453,354	S *	2/2002	Ikenaga et al.	D19/36
6,418,949	B1 *	7/2002	Lin et al.	135/25.1

D466,280	S *	12/2002	Ko	D3/3
D500,790	S	1/2005	Jaakkola		
D508,528	S *	8/2005	Shimizu	D19/48
D512,215	S *	12/2005	Ko	D3/10
D547,799	S *	7/2007	Granick	D19/36
7,588,042	B2 *	9/2009	Chang	135/25.1
D611,476	S *	3/2010	Busri	D14/411
D614,623	S *	4/2010	Crisp et al.	D14/411
D617,326	S *	6/2010	Cacioppo et al.	D14/411
D617,796	S *	6/2010	Ando	D14/411
D617,798	S	6/2010	Liu		

* cited by examiner

Primary Examiner—Austin Murphy

(74) *Attorney, Agent, or Firm*—Banner & Witcoff, Ltd.

(57) **CLAIM**

The ornamental design for a stylus, as shown and described.

DESCRIPTION

FIG. 1 is a perspective front view of the stylus showing my new design;

FIG. 2 is a front view thereof;

FIG. 3 is rear view thereof;

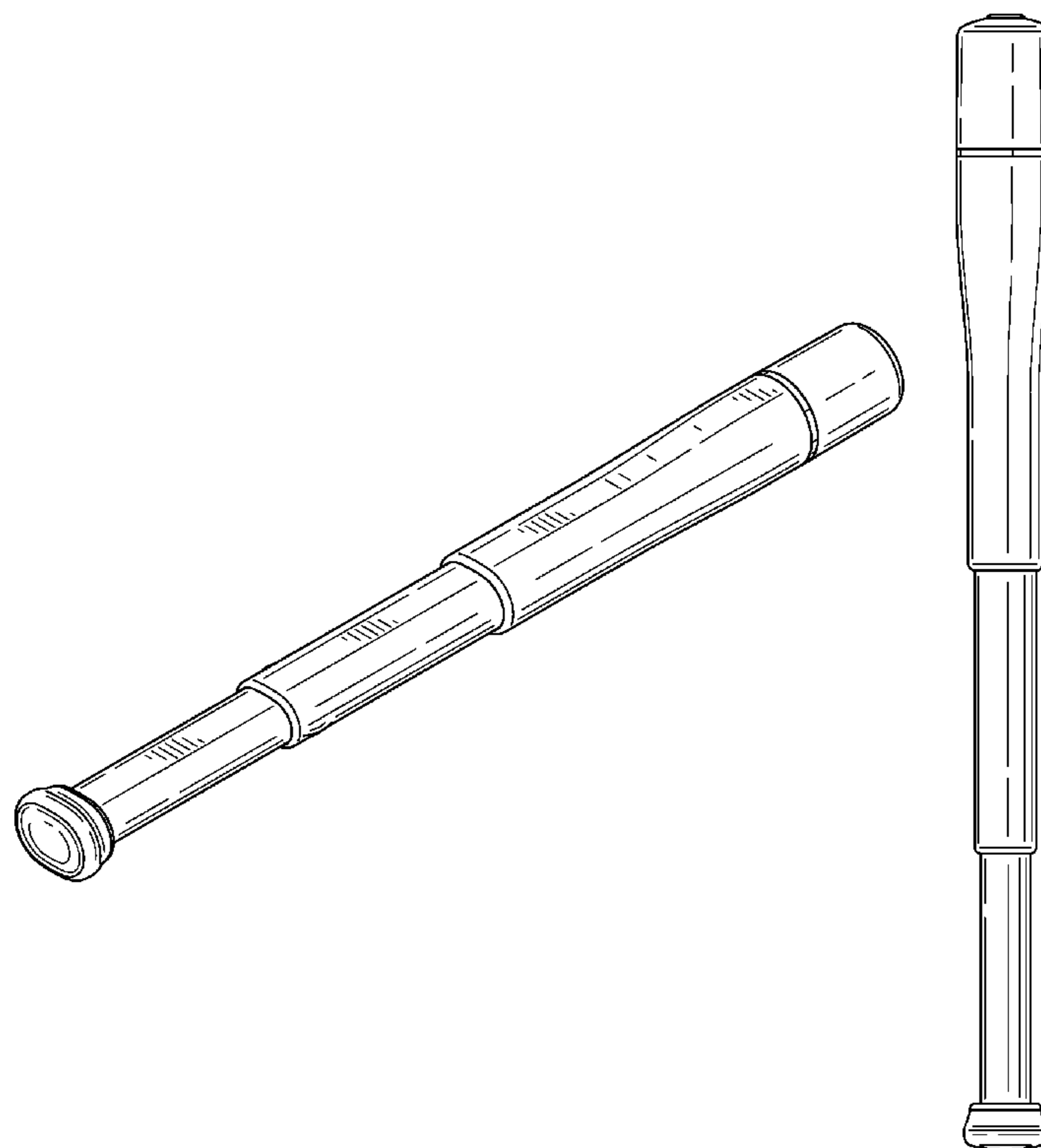
FIG. 4 is a left side view thereof;

FIG. 5 is a right side view thereof;

FIG. 6 is a top view thereof; and,

FIG. 7 is a bottom view thereof.

1 Claim, 4 Drawing Sheets



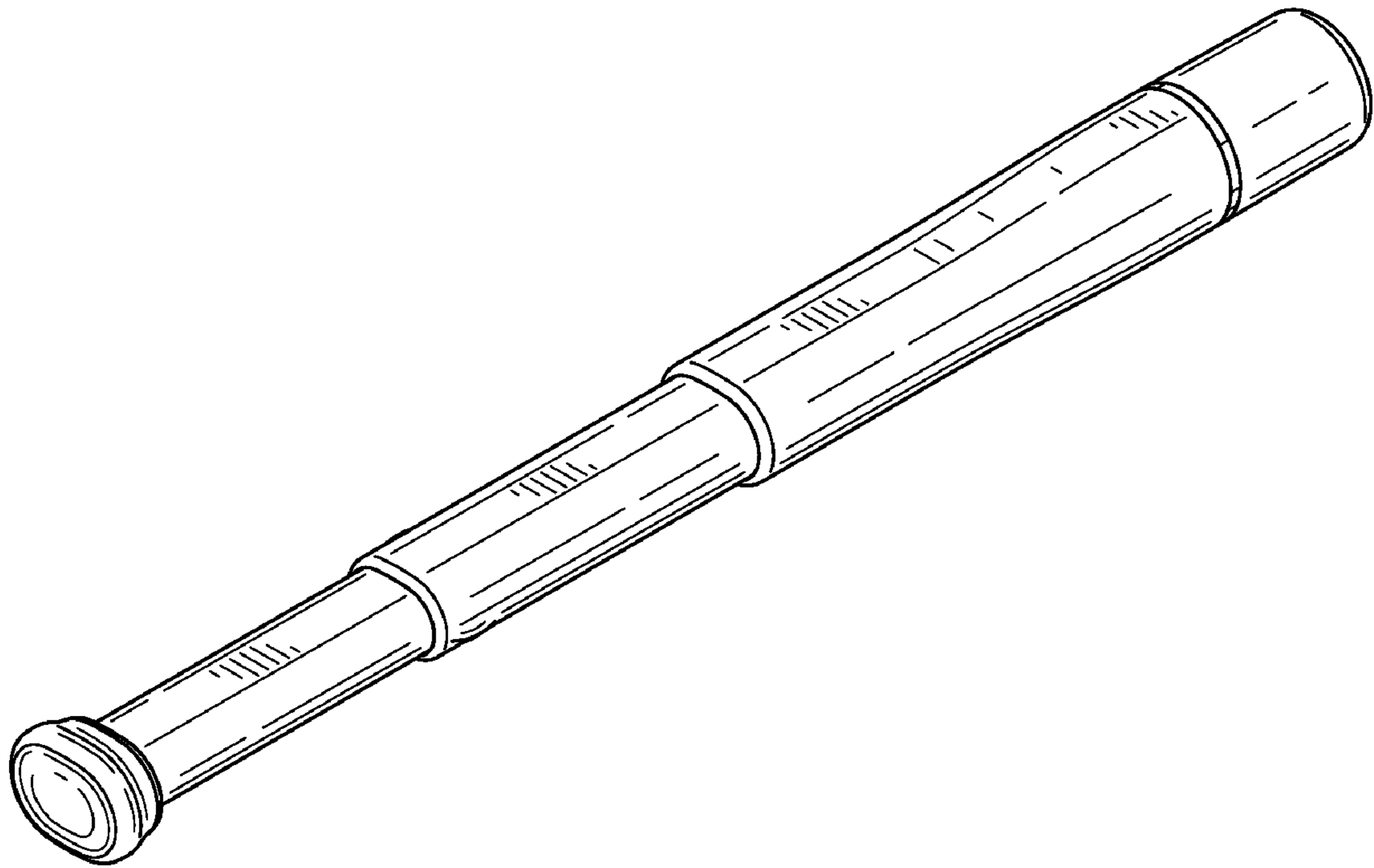


FIG. 1

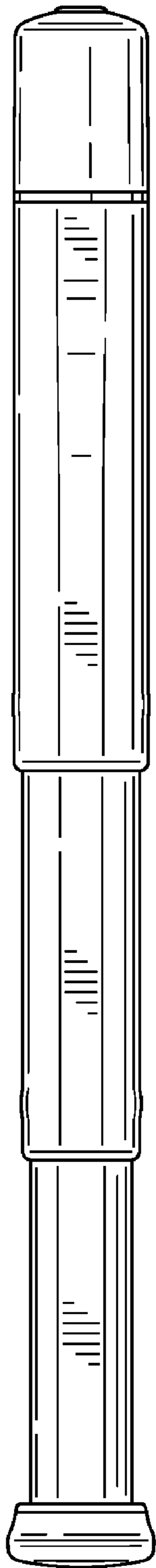


FIG. 2

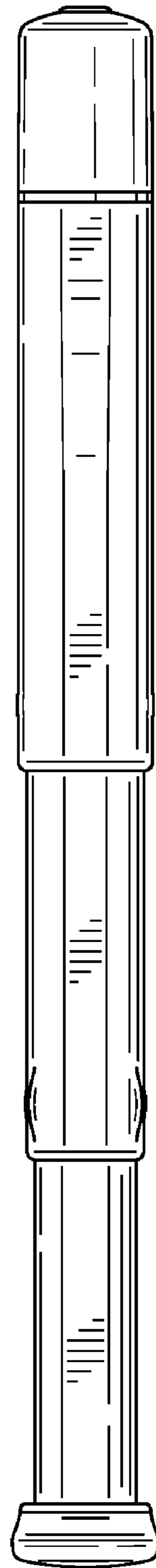


FIG. 3

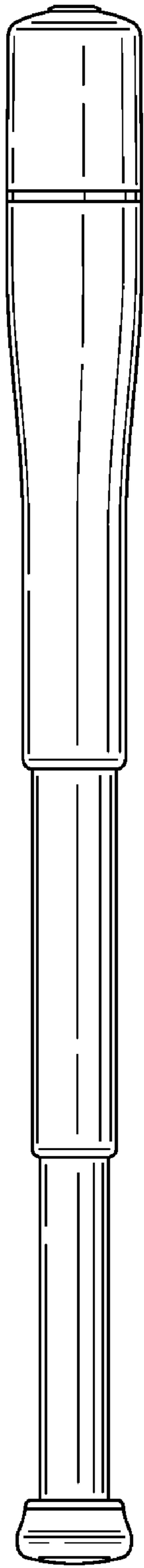


FIG. 4

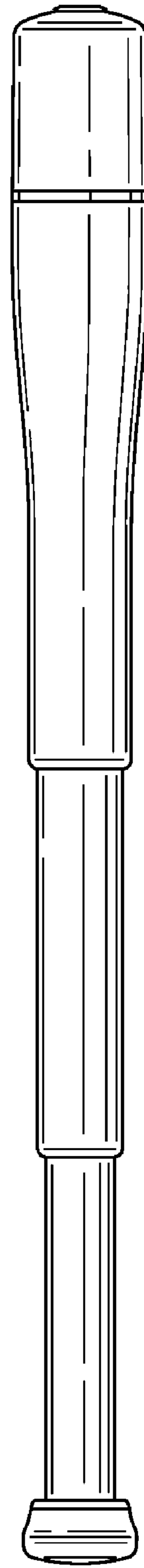


FIG. 5

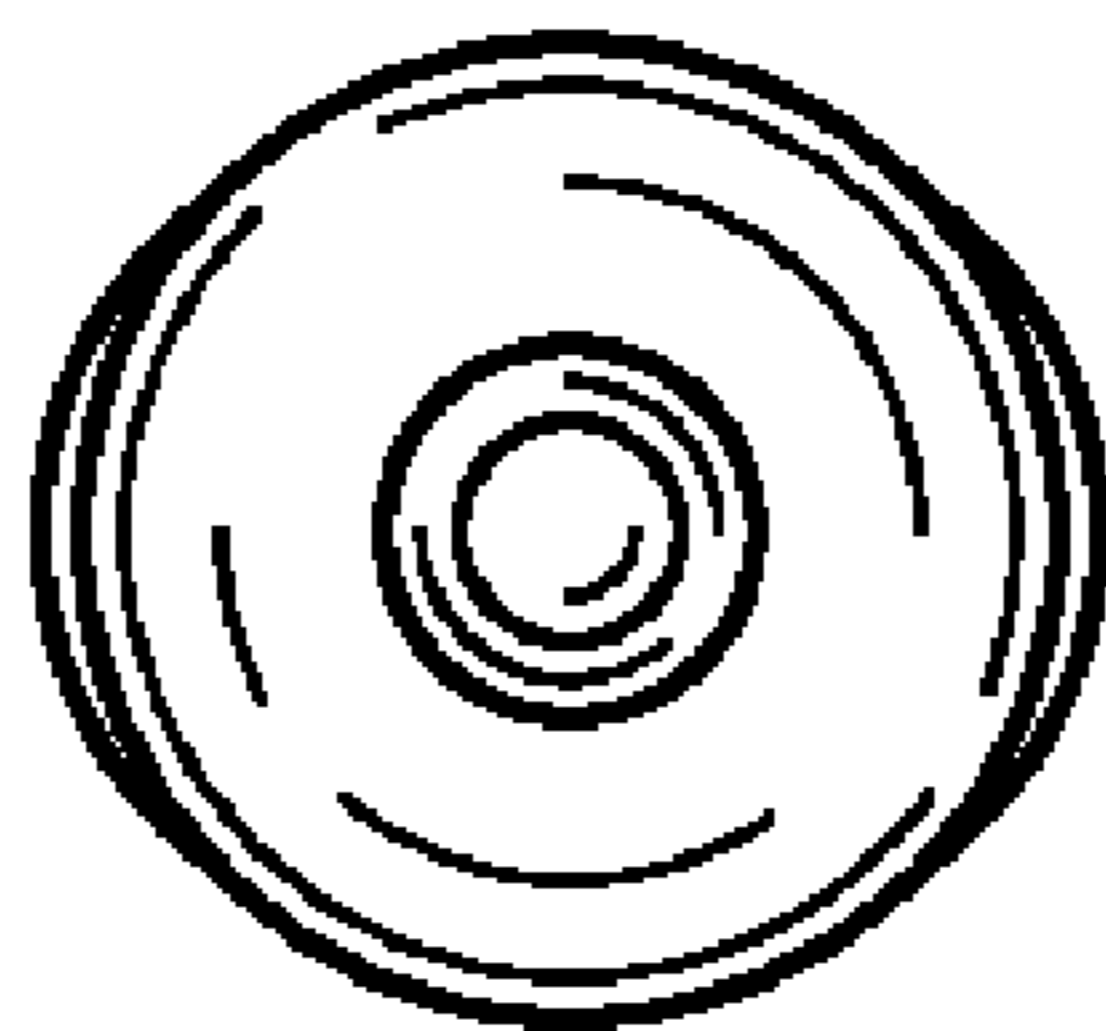


FIG. 6

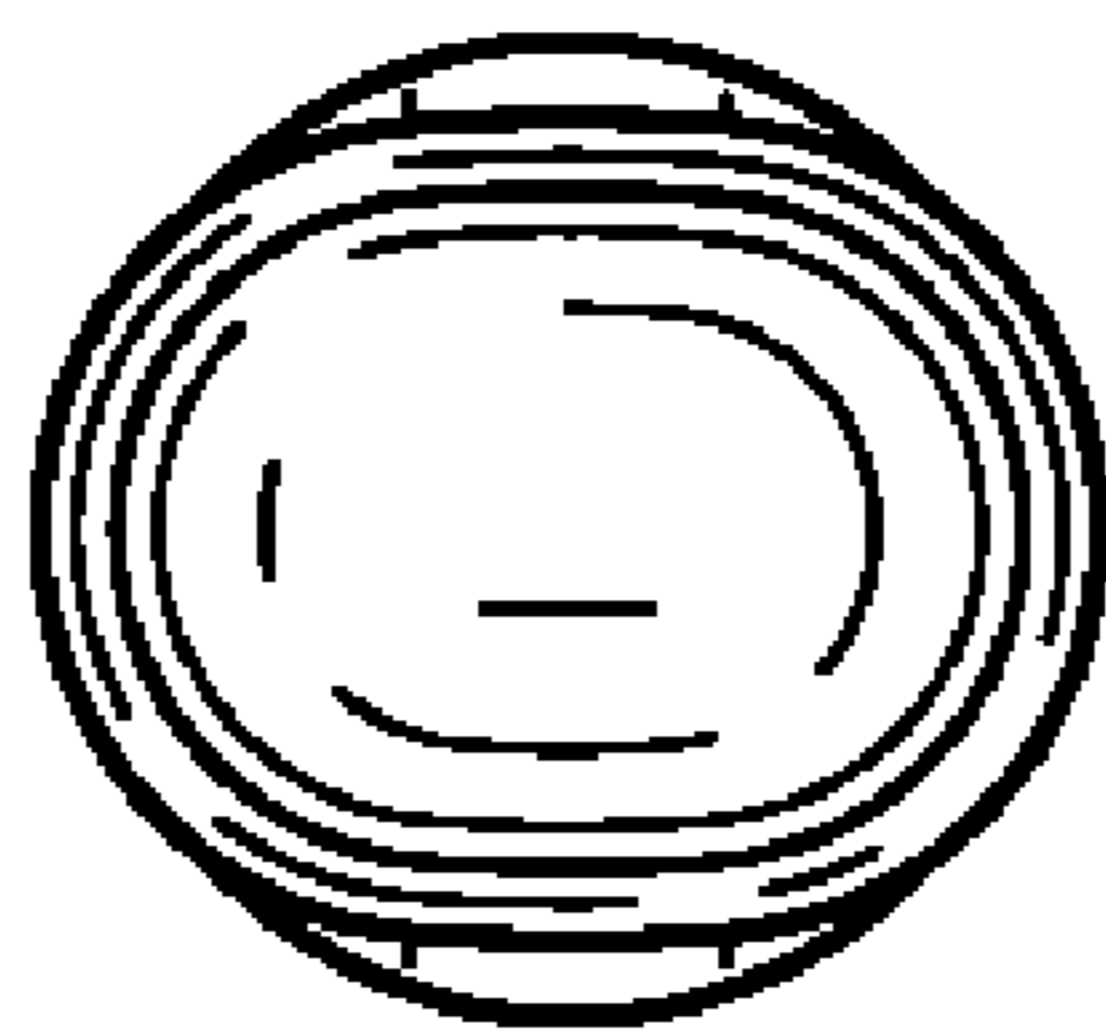


FIG. 7