



US00D624073S

(12) **United States Design Patent**  
**Peng et al.**

(10) **Patent No.:** **US D624,073 S**

(45) **Date of Patent:** **\*\* Sep. 21, 2010**

(54) **RUGGED TABLET PERSONAL COMPUTER**

(75) Inventors: **Po-Hsuan Peng**, Miaoli (TW); **Yi-Chun Liao**, Taichung (TW)

(73) Assignee: **Getac Technology Corporation**, Hsinchu (TW)

(\*\*) Term: **14 Years**

(21) Appl. No.: **29/351,441**

(22) Filed: **Dec. 5, 2009**

(30) **Foreign Application Priority Data**

Aug. 31, 2009 (CN) ..... 2009 3 0209814

(51) **LOC (9) Cl.** ..... **14-02**

(52) **U.S. Cl.** ..... **D14/341**

(58) **Field of Classification Search** ..... D14/315-318, D14/341-346; D18/1, 2, 7, 11; 341/22, 341/23; 345/102, 104, 156, 163, 168; 361/679.09, 361/679.26, 679.27, 679.3; 206/320  
See application file for complete search history.

(56) **References Cited**

**U.S. PATENT DOCUMENTS**

D359,031 S \* 6/1995 Hatano ..... D14/336  
D380,202 S \* 6/1997 Matthes ..... D14/346  
D387,737 S \* 12/1997 Mizusugi et al. .... D14/346

D415,121 S \* 10/1999 Uematsu et al. .... D14/328  
6,118,436 A \* 9/2000 Kushita ..... 345/173  
D516,553 S \* 3/2006 Richardson et al. .... D14/341  
D541,270 S \* 4/2007 Sassano et al. .... D14/315  
D557,695 S \* 12/2007 Cheng et al. .... D14/315  
D571,799 S \* 6/2008 Ogasawara ..... D14/341  
D601,139 S \* 9/2009 Huang et al. .... D14/341  
2004/0228076 A1 \* 11/2004 Clapper ..... 361/681

\* cited by examiner

*Primary Examiner*—Freda S Nunn

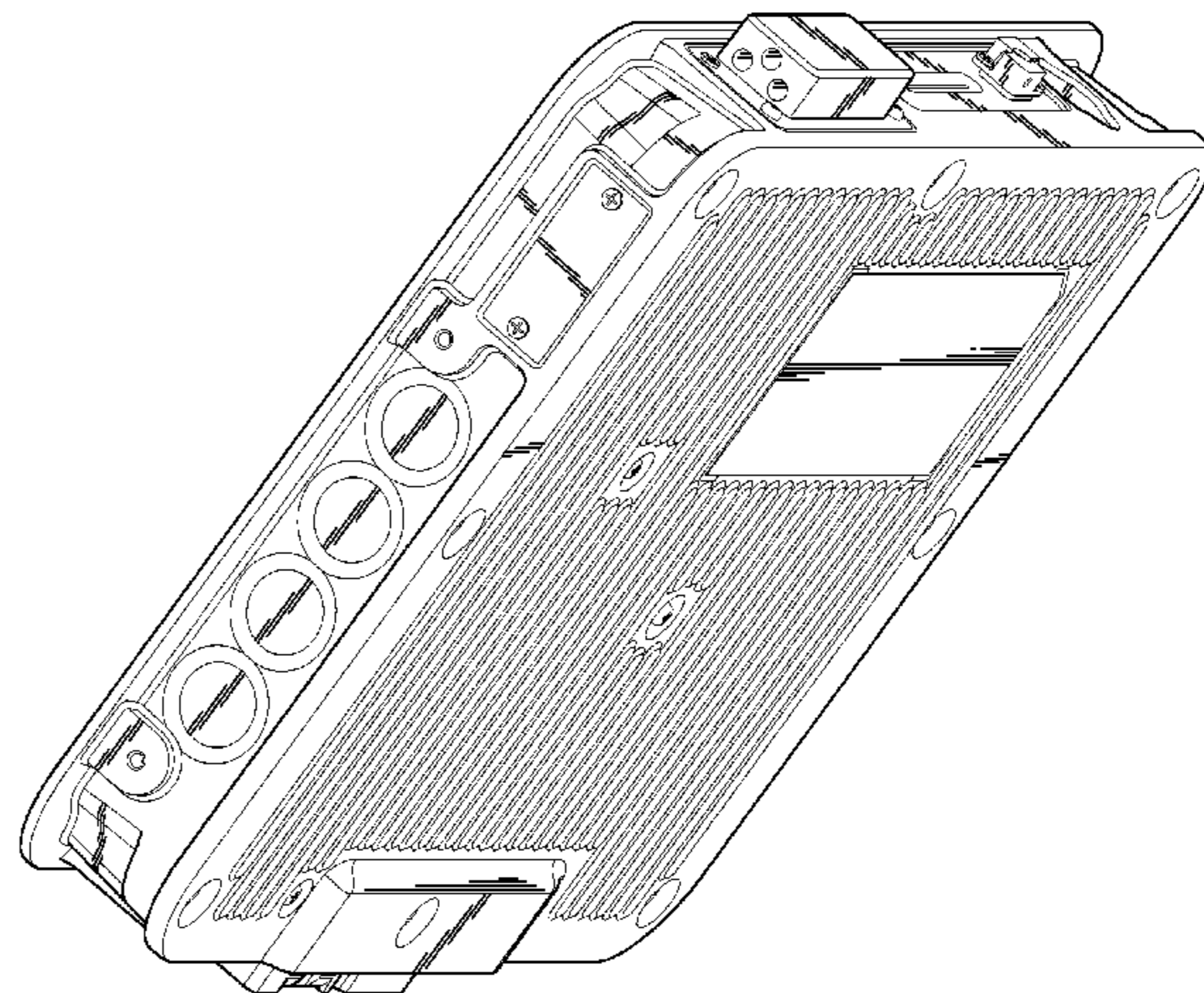
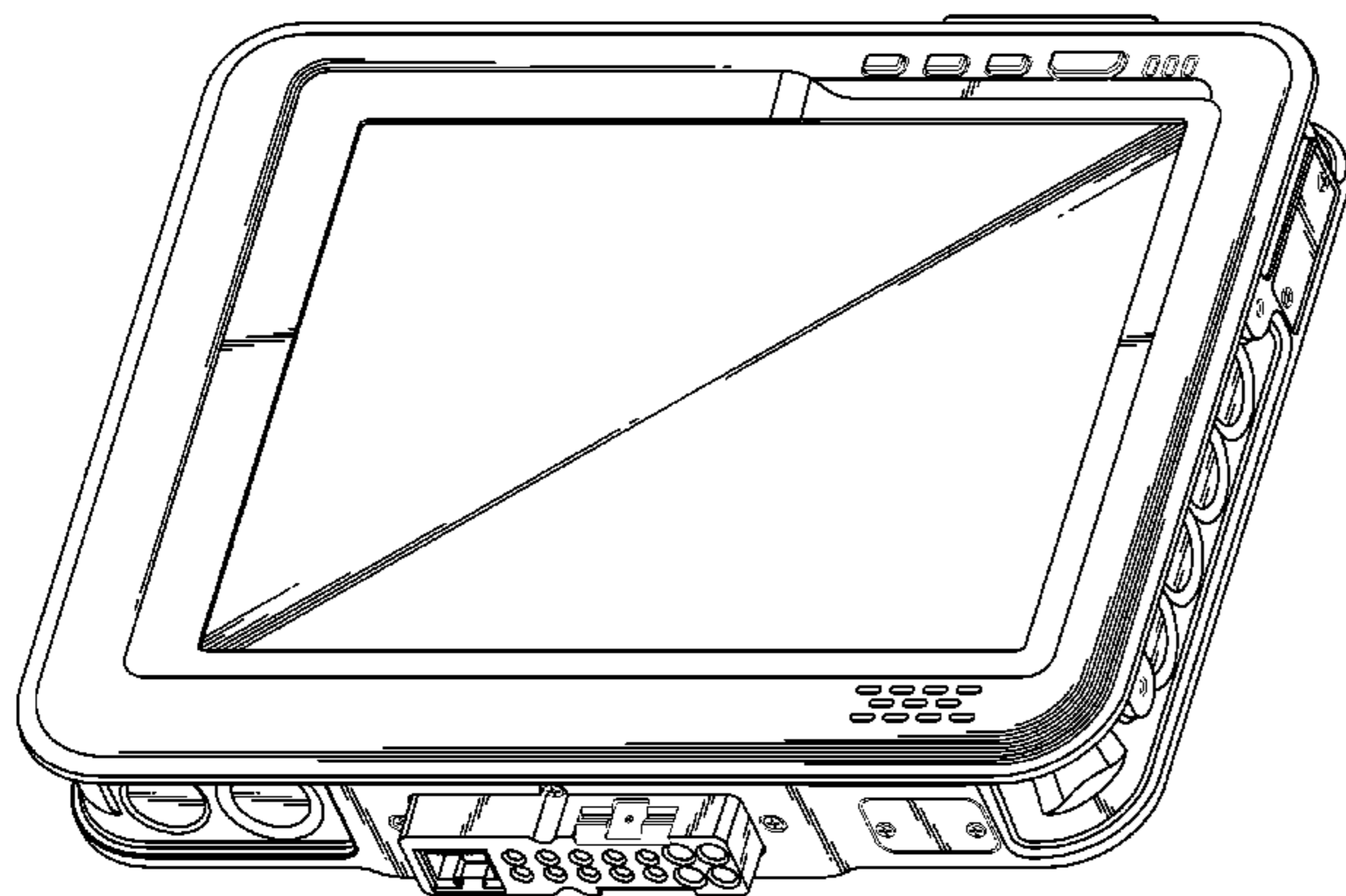
(57) **CLAIM**

The ornamental design for a rugged tablet personal computer, as shown and described.

**DESCRIPTION**

FIG. 1 is a perspective view showing my new design;  
FIG. 2 is a front elevational view thereof;  
FIG. 3 is a rear elevational view thereof;  
FIG. 4 is a right side elevational view thereof;  
FIG. 5 is a left side elevational view thereof;  
FIG. 6 is a top plan view thereof;  
FIG. 7 is a bottom plan view thereof; and,  
FIG. 8 is perspective view showing the back of my new design.

**1 Claim, 6 Drawing Sheets**



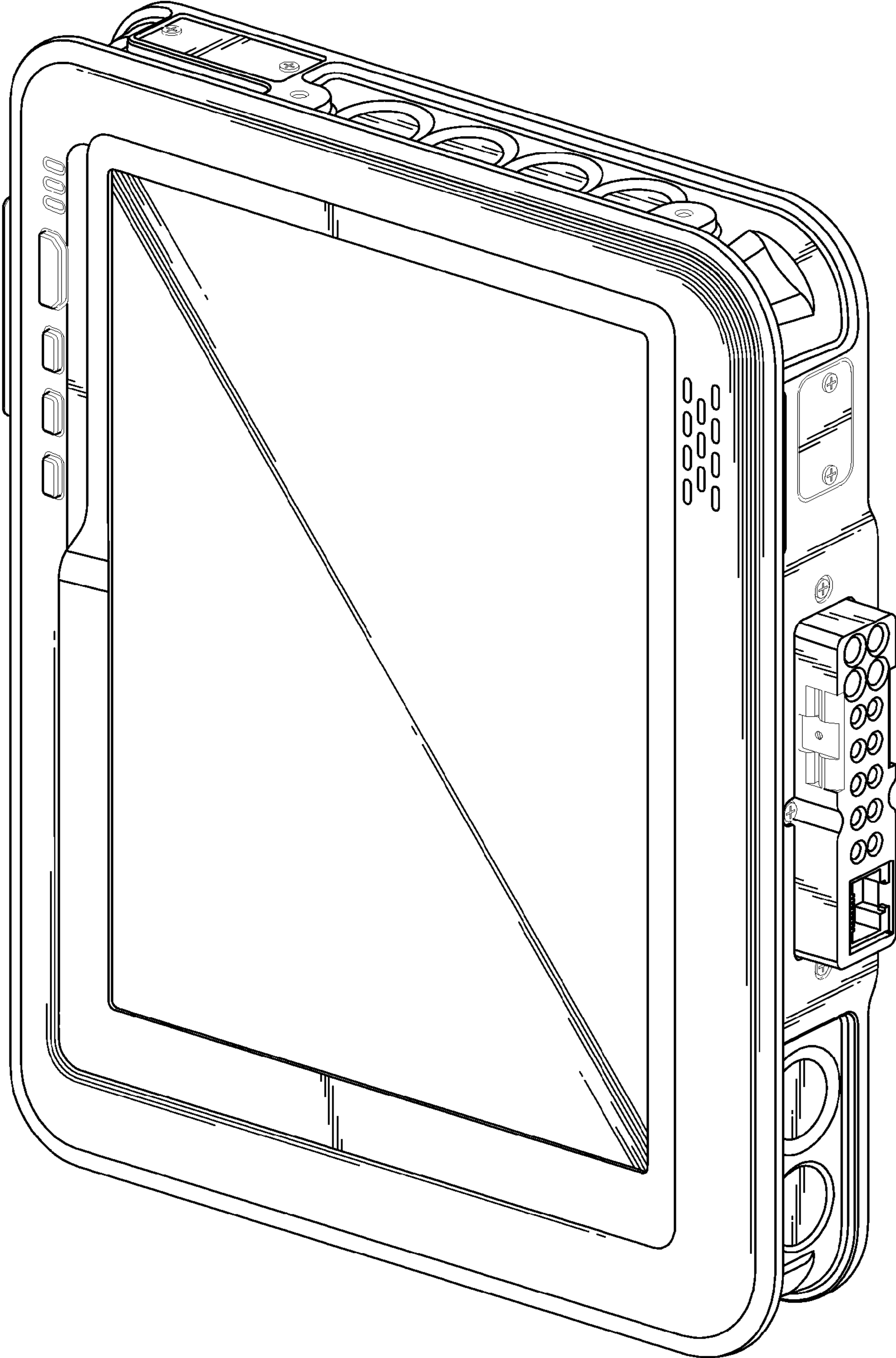


FIG.1

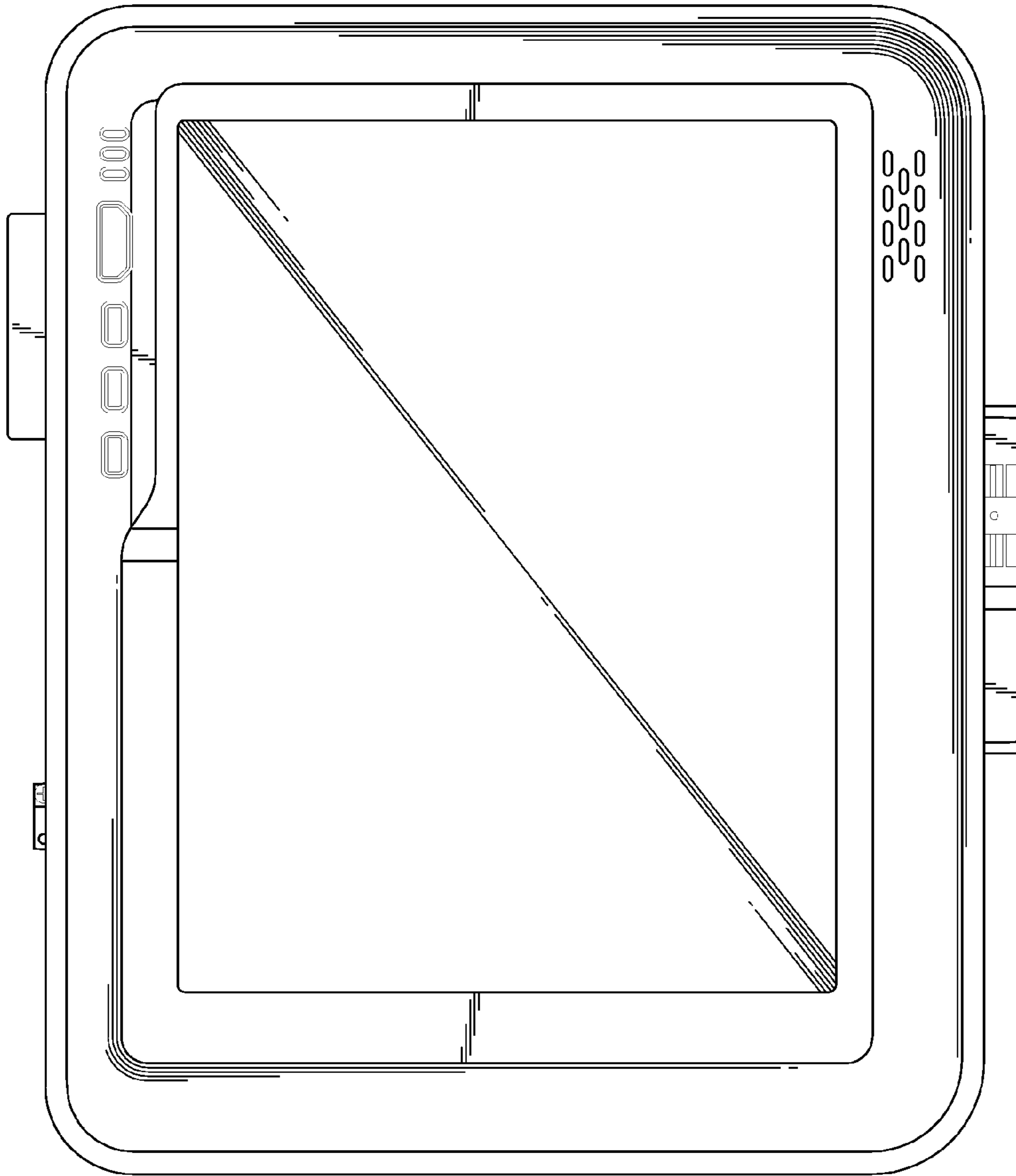


FIG.2

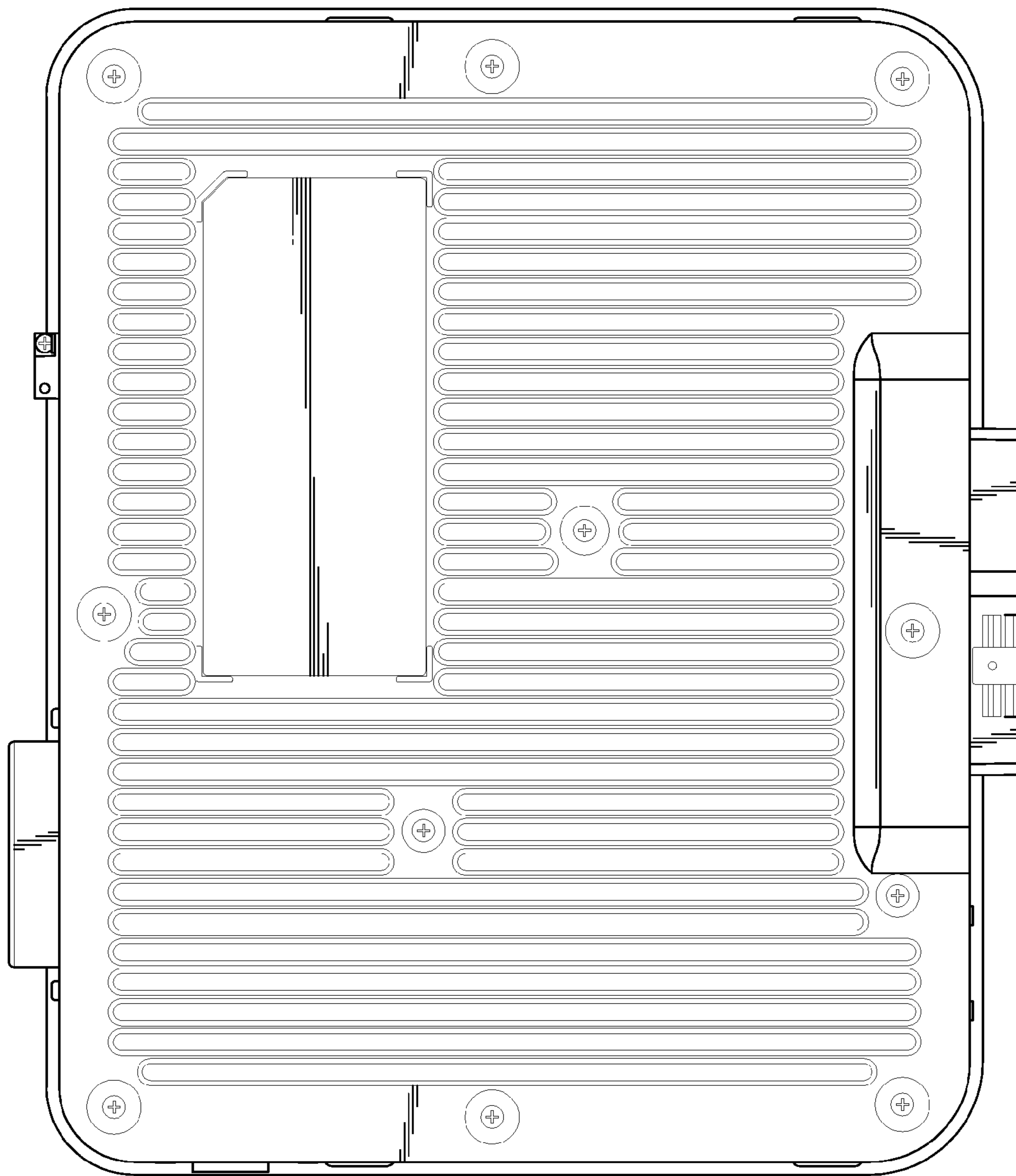


FIG.3

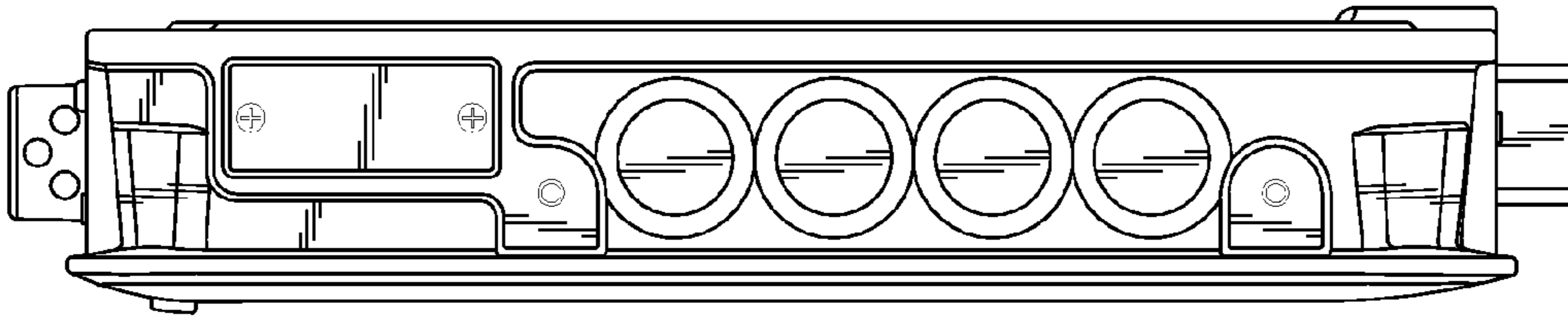


FIG. 5

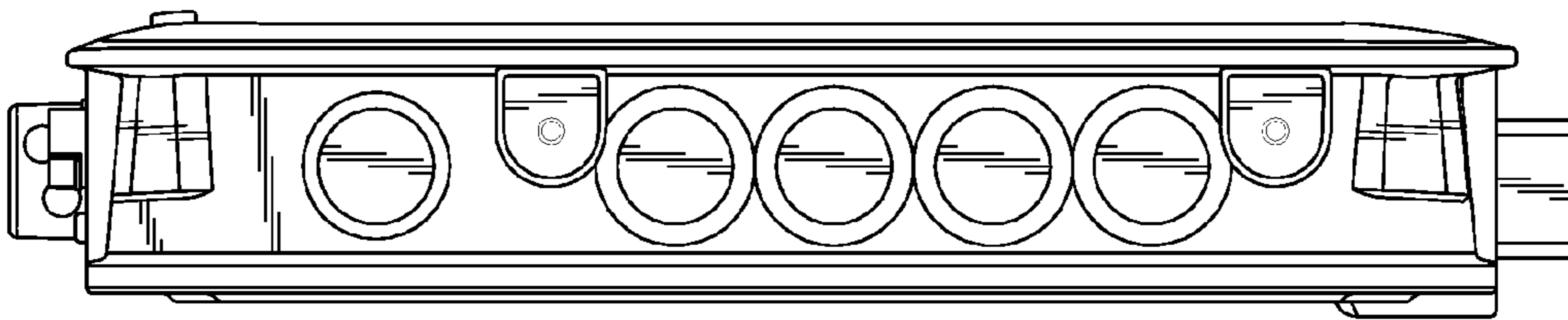


FIG. 4

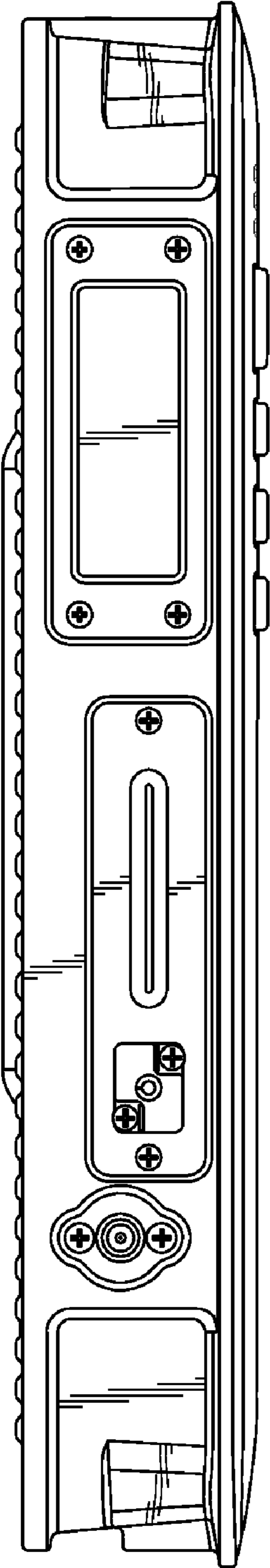


FIG. 6

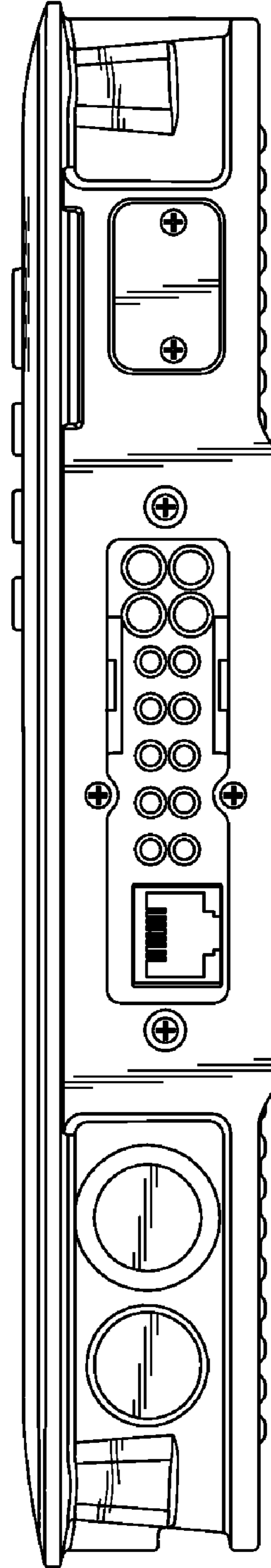


FIG. 7

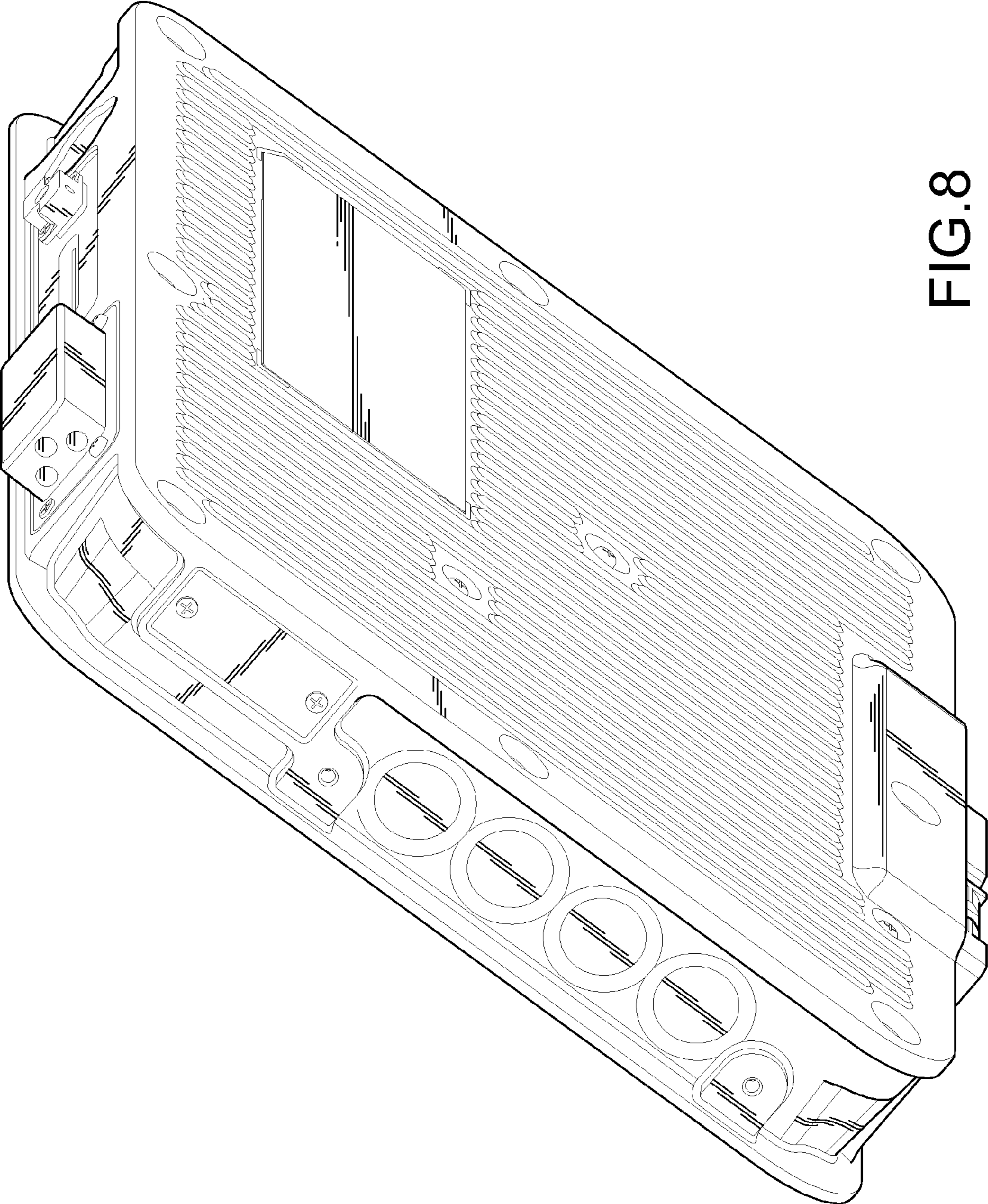


FIG.8