



US00D624070S

(12) **United States Design Patent**  
**Lee et al.**

(10) **Patent No.:** **US D624,070 S**  
(45) **Date of Patent:** **\*\* Sep. 21, 2010**

(54) **PORTABLE COMPUTER**

(75) Inventors: **Teh-Shen Lee**, Taipei Hsien (TW);  
**Chiung-Li Chang**, Taipei Hsien (TW);  
**Yu-Hao Chyan**, Taipei Hsien (TW);  
**Kuan-Hong Hsieh**, Taipei Hsien (TW);  
**Chiang-Kuo Tang**, Taipei Hsien (TW);  
**Xiao-Guang Li**, Shenzhen (CN)

(73) Assignees: **Hong Fu Jin Precision Industry (ShenZhen) Co., Ltd.**, Shenzhen, Guangdong Province (CN); **Hon Hai Precision Industry Co., Ltd.**, Tu-Cheng, Taipei Hsien (TW)

(\*\*) Term: **14 Years**

(21) Appl. No.: **29/335,265**

(22) Filed: **Apr. 13, 2009**

(30) **Foreign Application Priority Data**

Jan. 15, 2009 (CN) ..... 2009 3 0300095

(51) **LOC (9) Cl.** ..... **14-02**

(52) **U.S. Cl.** ..... **D14/336; D14/374**

(58) **Field of Classification Search** ..... D14/341-346,  
D14/371-375, 331, 336-337, 315, 328; D19/59,  
D19/60; 345/104, 156; 400/486, 489; 341/22;  
248/460, 176.1; 178/18.03; 349/12; 361/680-686,  
361/679.05, 679.15, 679.44  
See application file for complete search history.

(56) **References Cited**

**U.S. PATENT DOCUMENTS**

D492,323 S \* 6/2004 Wang ..... D14/203.7  
6,757,156 B2 \* 6/2004 Adams et al. .... 361/679.03  
D496,034 S \* 9/2004 Guerrero et al. .... D14/336

D505,676 S \* 5/2005 Porter et al. .... D14/388  
D514,558 S \* 2/2006 Nagel et al. .... D14/341  
D524,308 S \* 7/2006 Lai ..... D14/346  
D538,800 S \* 3/2007 Zhang et al. .... D14/331  
D543,876 S \* 6/2007 Kalis et al. .... D10/65  
D551,665 S \* 9/2007 Tom et al. .... D14/346  
7,333,321 B2 \* 2/2008 Sutton et al. .... 361/679.09  
D569,373 S \* 5/2008 Lee et al. .... D14/341  
D579,930 S \* 11/2008 Maskatia ..... D14/341  
D584,304 S \* 1/2009 Lin ..... D14/346  
D604,730 S \* 11/2009 Shih et al. .... D14/346  
2004/0228076 A1 \* 11/2004 Clapper ..... 361/681  
2006/0038795 A1 \* 2/2006 Lee ..... 345/173  
2008/0310088 A1 \* 12/2008 Chen ..... 361/680

\* cited by examiner

*Primary Examiner*—Freda S Nunn

(74) *Attorney, Agent, or Firm*—Zhigang Ma

(57) **CLAIM**

The ornamental design for a portable computer, as shown and described.

**DESCRIPTION**

FIG. 1 is a perspective view of the design for a portable device;

FIG. 2 is a front elevational view thereof;

FIG. 3 is a rear elevational view thereof;

FIG. 4 is a left side elevational view thereof;

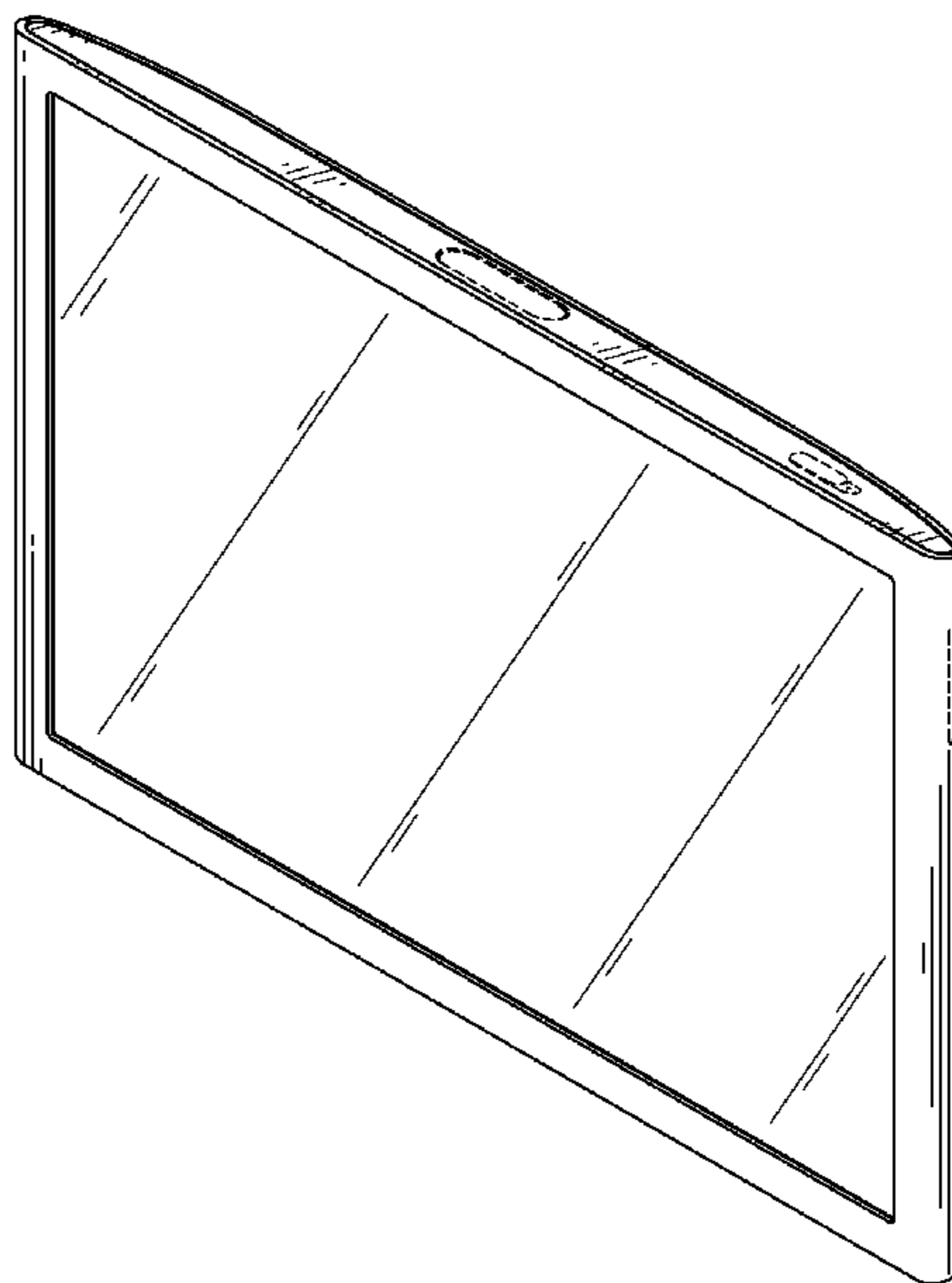
FIG. 5 is a right side elevational view thereof;

FIG. 6 is a top plan view thereof; and,

FIG. 7 is a bottom plan view thereof.

The broken lines shown in the drawings are included for the purpose of illustrating environmental structure and form no part of the claimed design.

**1 Claim, 7 Drawing Sheets**



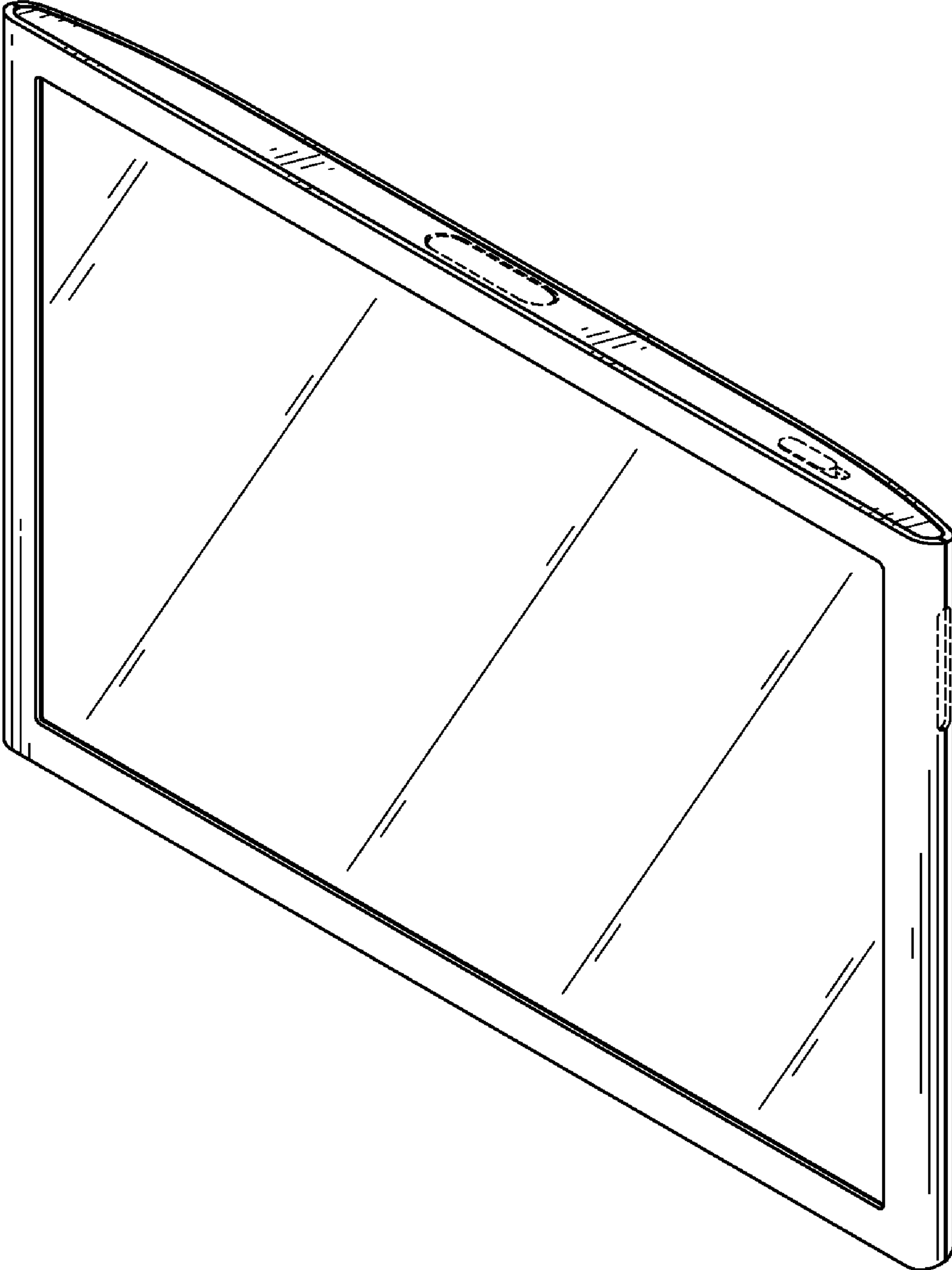


FIG. 1

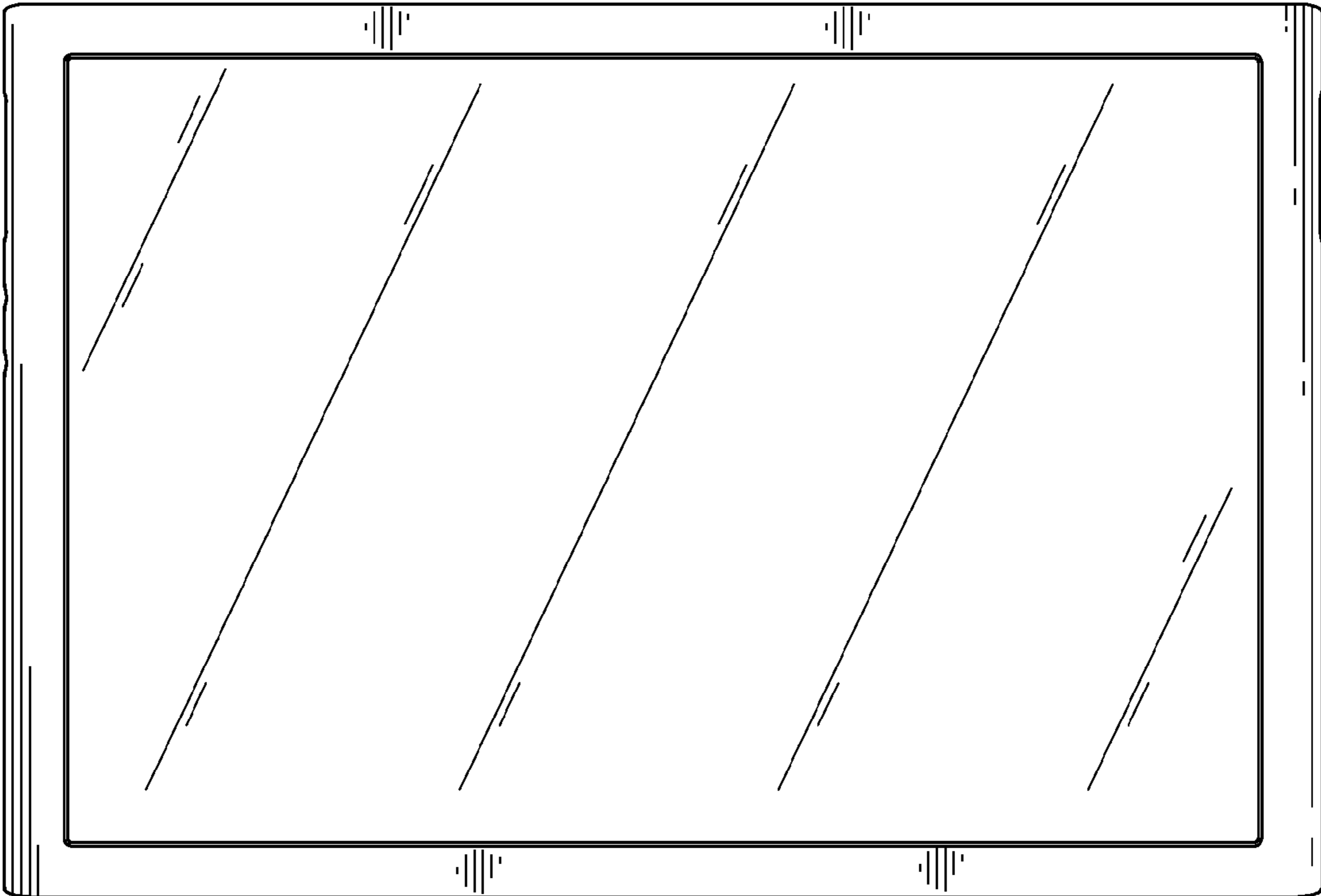


FIG. 2

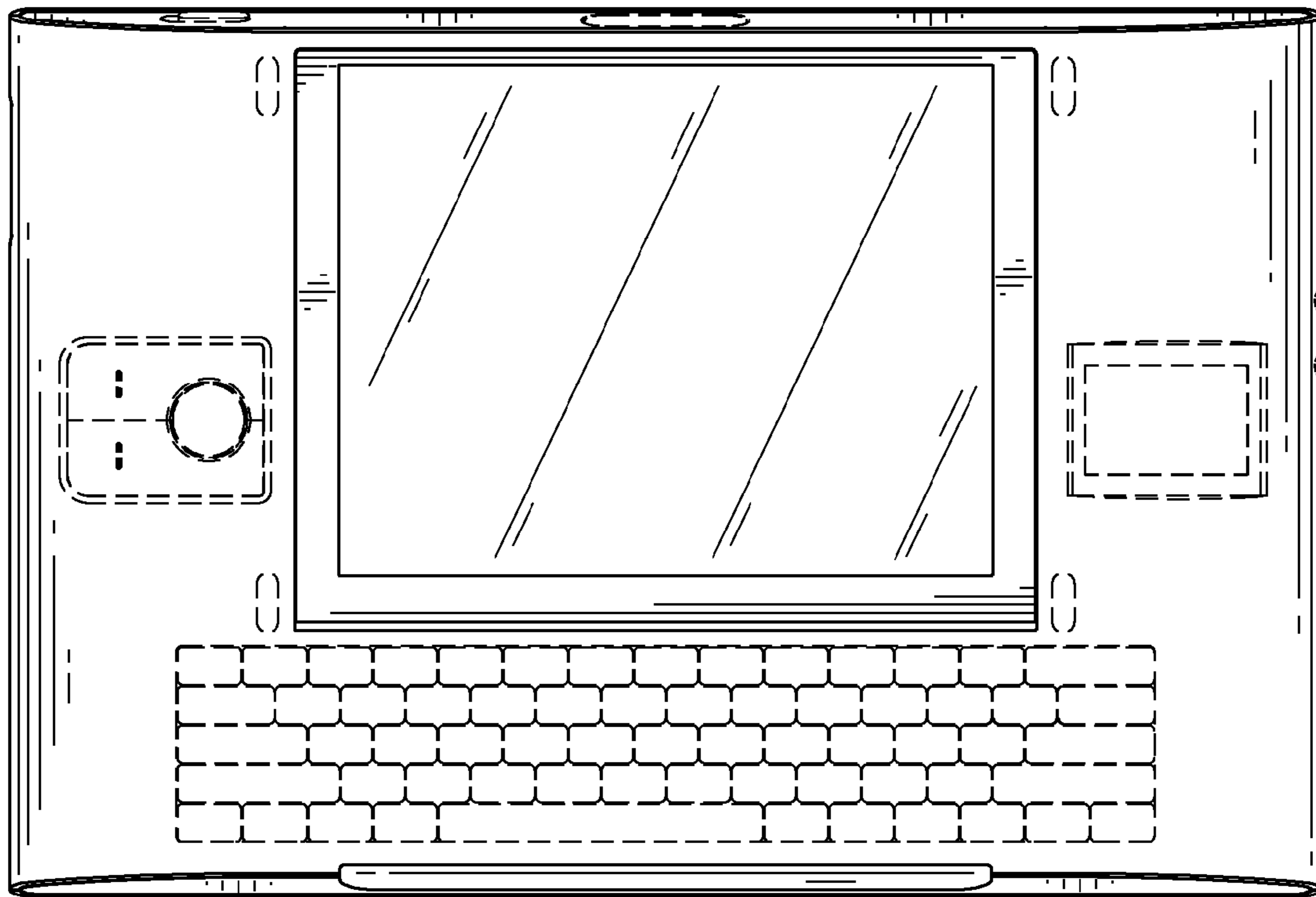


FIG. 3

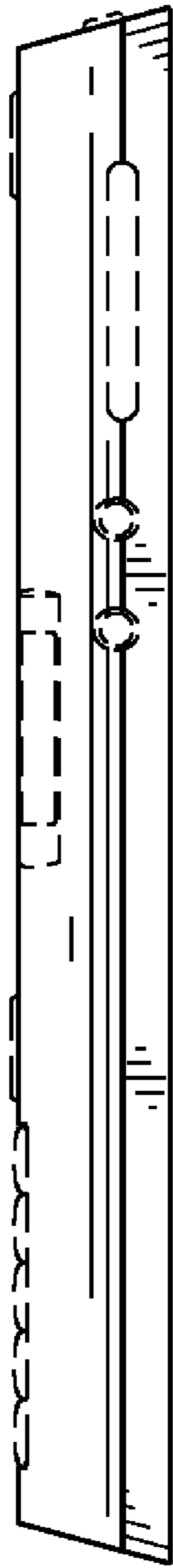


FIG. 4

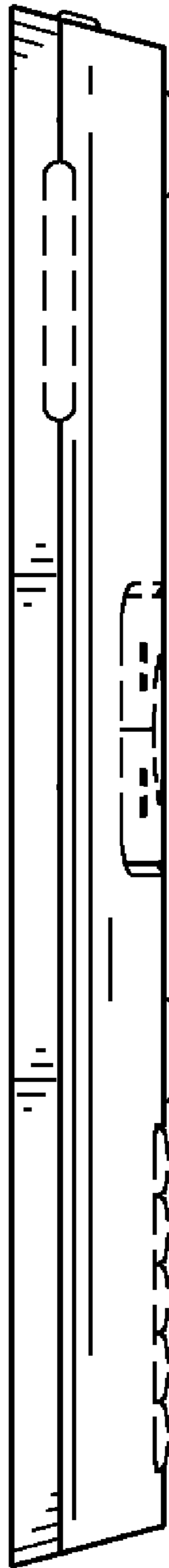


FIG. 5



FIG. 6

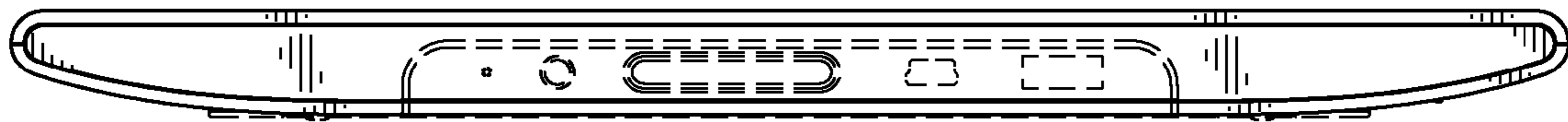


FIG. 7