



US00D624066S

(12) **United States Design Patent**
Samsonsen

(10) **Patent No.:** **US D624,066 S**
(45) **Date of Patent:** **** Sep. 21, 2010**

(54) **CABINET FOR TECHNICAL EQUIPMENT,
COMPUTER EQUIPMENT AND
AUDIO-VISUAL EQUIPMENT**

Primary Examiner—Freda S Nunn
(74) *Attorney, Agent, or Firm*—Andrus, Scales, Starke &
Sawall, LLP

(75) Inventor: **Geir Samsonsen**, Sandnes (NO)

(57) **CLAIM**

(73) Assignee: **Vi ju AS** (NO)

I claim the ornamental design for a cabinet for technical equipment, computer equipment and audio-visual equipment, as shown and described.

(**) Term: **14 Years**

(21) Appl. No.: **29/329,430**

DESCRIPTION

(22) Filed: **Dec. 15, 2008**

(30) **Foreign Application Priority Data**

Jun. 18, 2008 (NO) 20080360

FIG. 1 is a perspective view of a cabinet for technical equipment, computer equipment and audio-visual equipment showing my new design.

(51) **LOC (9) Cl.** **14-02**

FIG. 2 is a front view of the cabinet shown in FIG. 1.

(52) **U.S. Cl.** **D14/308**

FIG. 3 is a right side view of the cabinet shown in FIG. 1.

(58) **Field of Classification Search** D14/300-303,

FIG. 4 is a left side view of the cabinet shown in FIG. 1.

D14/308-312, 349-364, 463, 496, 140.2;

FIG. 5 is a rear view of the cabinet shown in FIG. 1.

D13/162, 184, 199; 312/223.1-223.3; 360/99.01-99.12;

FIG. 6 is a top view of the cabinet shown in FIG. 1.

361/724-730, 679.6; 369/34.01, 36.01

FIG. 7 is a bottom view of the cabinet shown in FIG. 1.

See application file for complete search history.

FIG. 8 is a perspective view of a second embodiment of a cabinet for technical equipment, computer equipment and audio-visual equipment showing my new design.

(56) **References Cited**

U.S. PATENT DOCUMENTS

FIG. 9 is a front view of the cabinet shown in FIG. 8.

D238,080 S * 12/1975 Porter D14/364

FIG. 10 is a right side view of the cabinet shown in FIG. 8.

D283,321 S * 4/1986 Bixler et al. D18/53

FIG. 11 is a left side view of the cabinet shown in FIG. 8.

D291,313 S * 8/1987 Clark et al. D18/53

FIG. 12 is a rear view of the cabinet shown in FIG. 8.

D295,512 S * 5/1988 Becraft et al. D14/140.3

FIG. 13 is a top view of the cabinet shown in FIG. 8; and,

4,817,071 A * 3/1989 Carlson et al. 369/30.6

FIG. 14 is a bottom view of the cabinet shown in FIG. 8.

D305,130 S * 12/1989 Ohtani et al. D18/53

5,033,038 A * 7/1991 Kobayashi et al. 369/30.43

D324,050 S * 2/1992 Ando D14/140.3

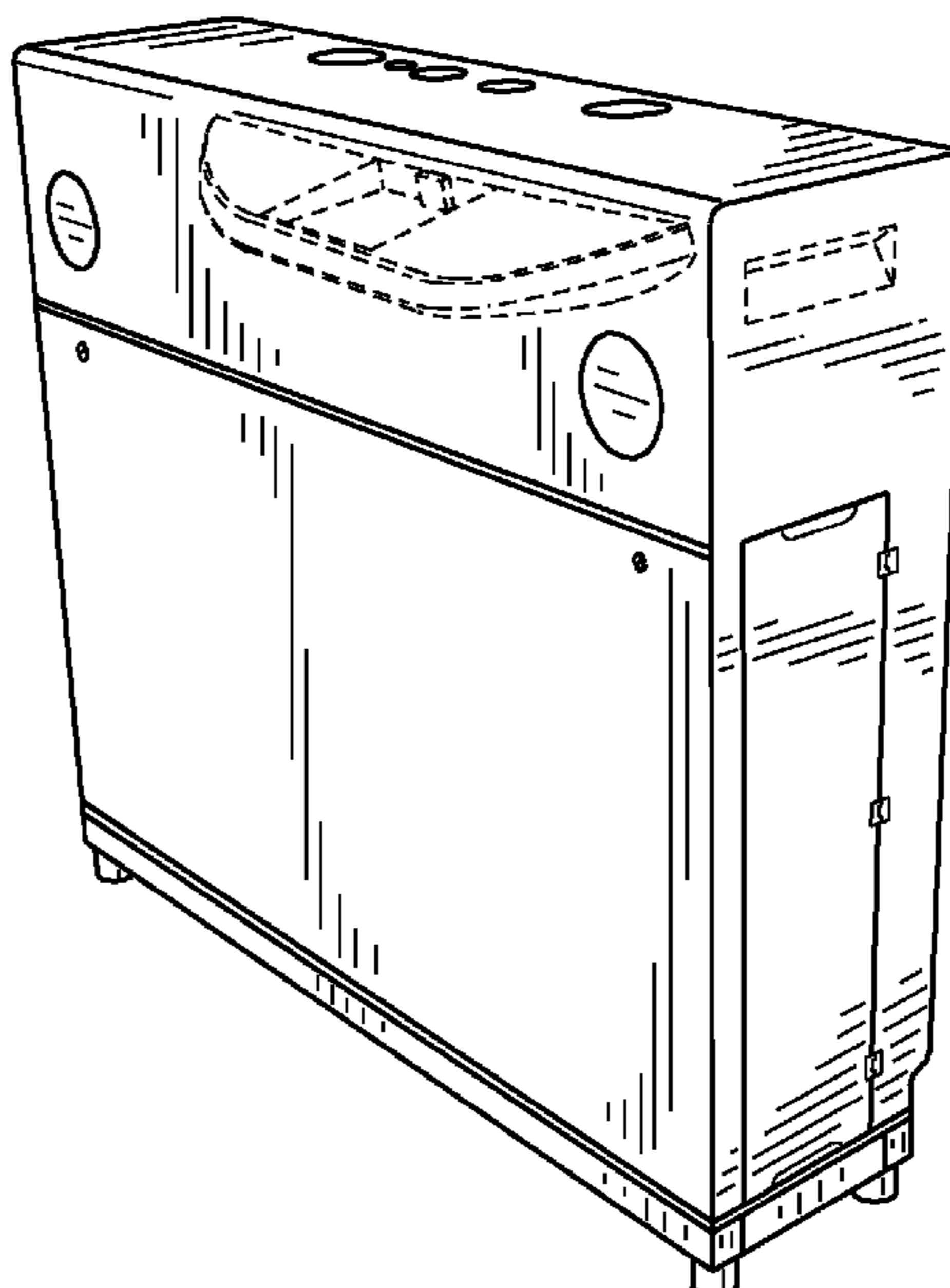
D344,934 S * 3/1994 Sawada et al. D14/361

5,373,489 A * 12/1994 Sato et al. 369/30.63

The portions of the cabinet shown in broken lines form no part of the claimed design.

(Continued)

1 Claim, 11 Drawing Sheets



US D624,066 S

Page 2

U.S. PATENT DOCUMENTS

D360,893	S	*	8/1995	Quedenfeld et al.	D18/53	D394,246	S	*	5/1998	Yamamoto et al.	D14/310
D371,347	S	*	7/1996	Utsuki et al.	D14/310	D422,977	S	*	4/2000	Hirose et al.	D14/311
5,539,712	A	*	7/1996	Menke et al.	369/30.58	D464,644	S	*	10/2002	Ohwada et al.	D14/140.2

* cited by examiner

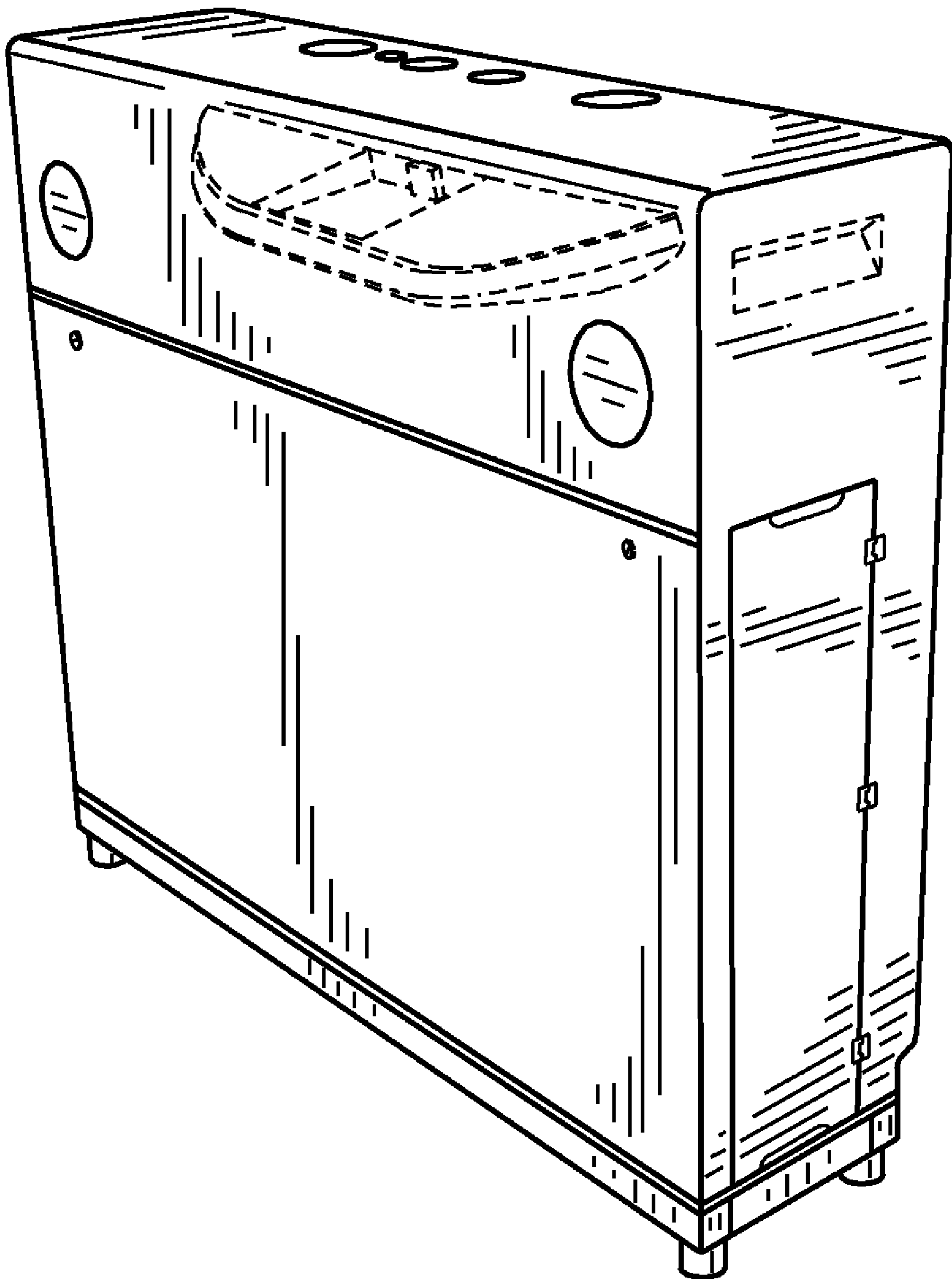


FIG. 1

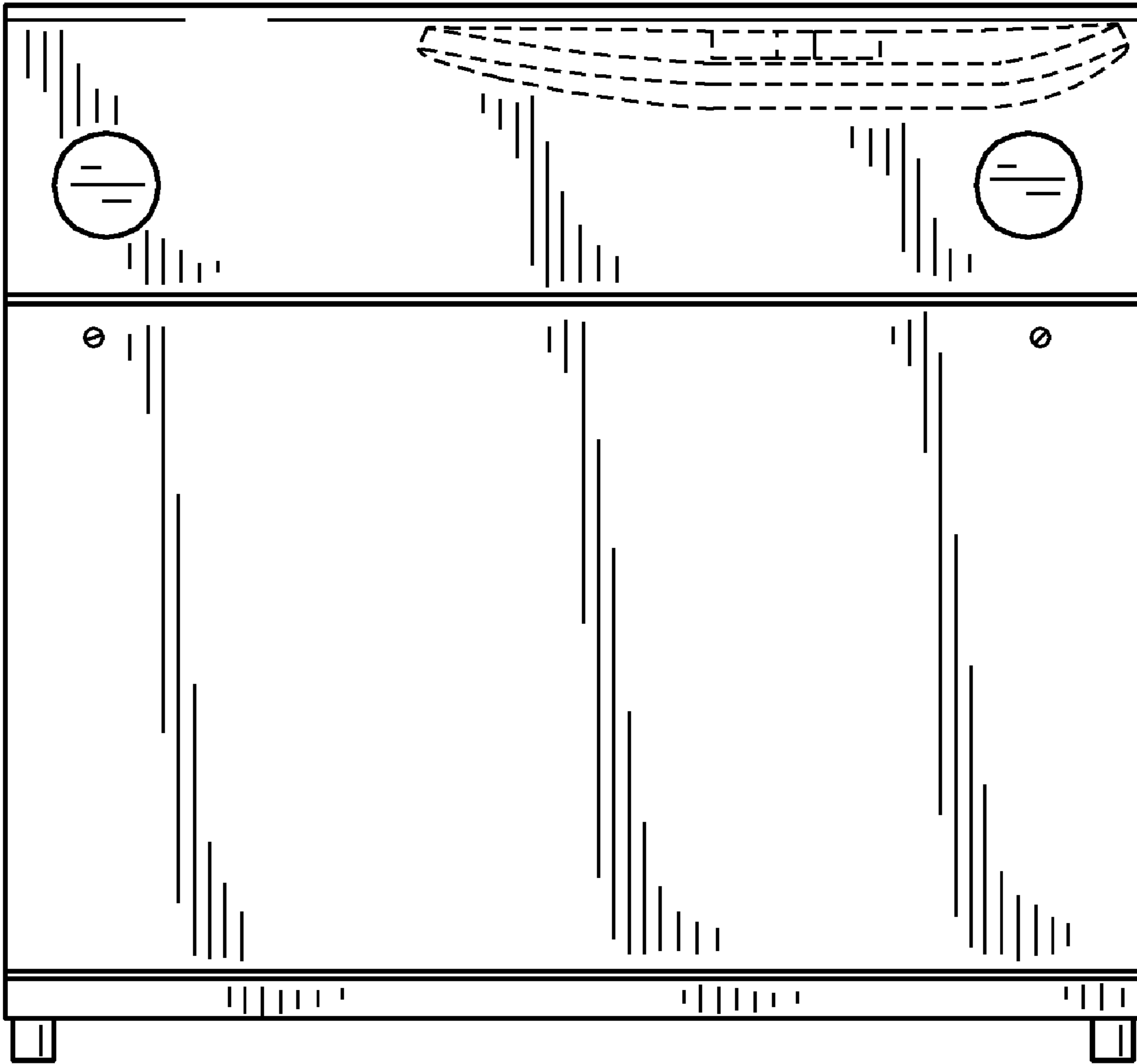


FIG. 2

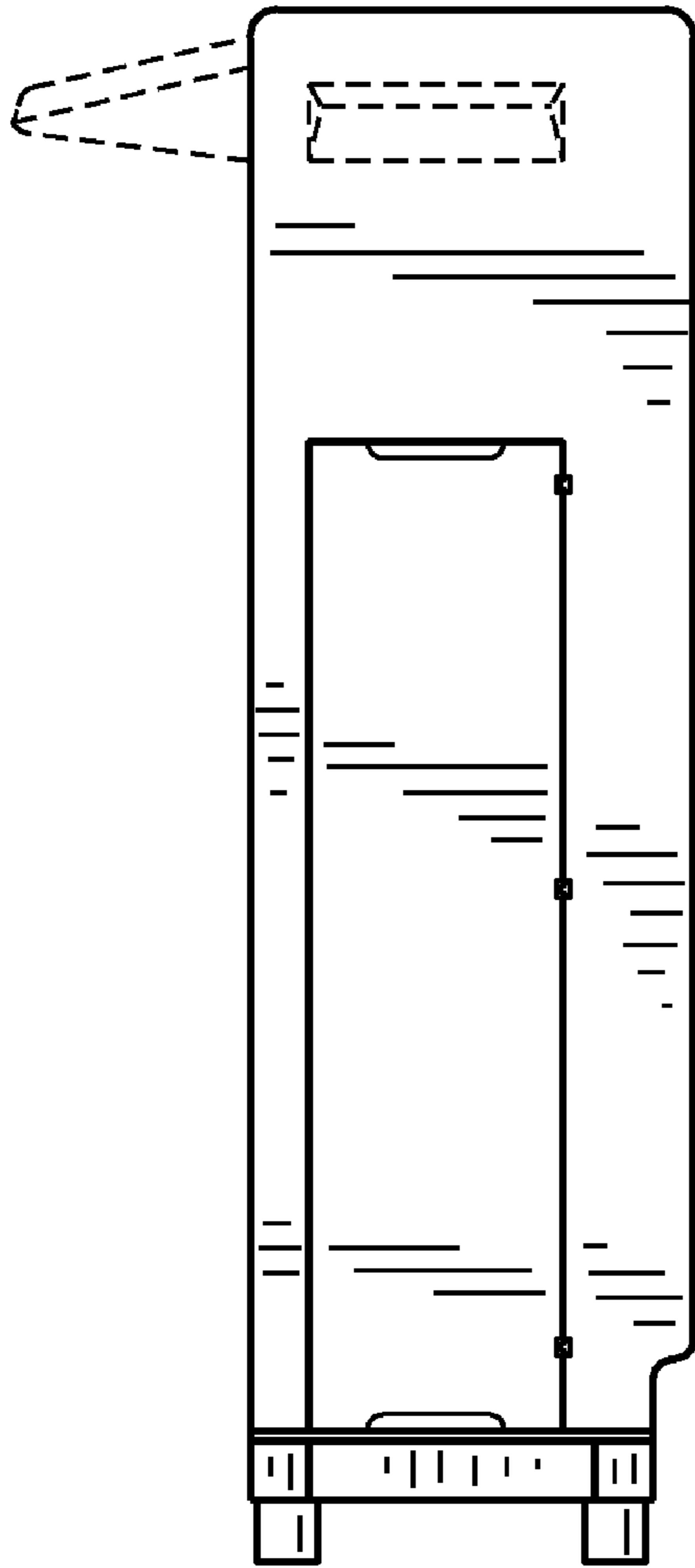


FIG. 3

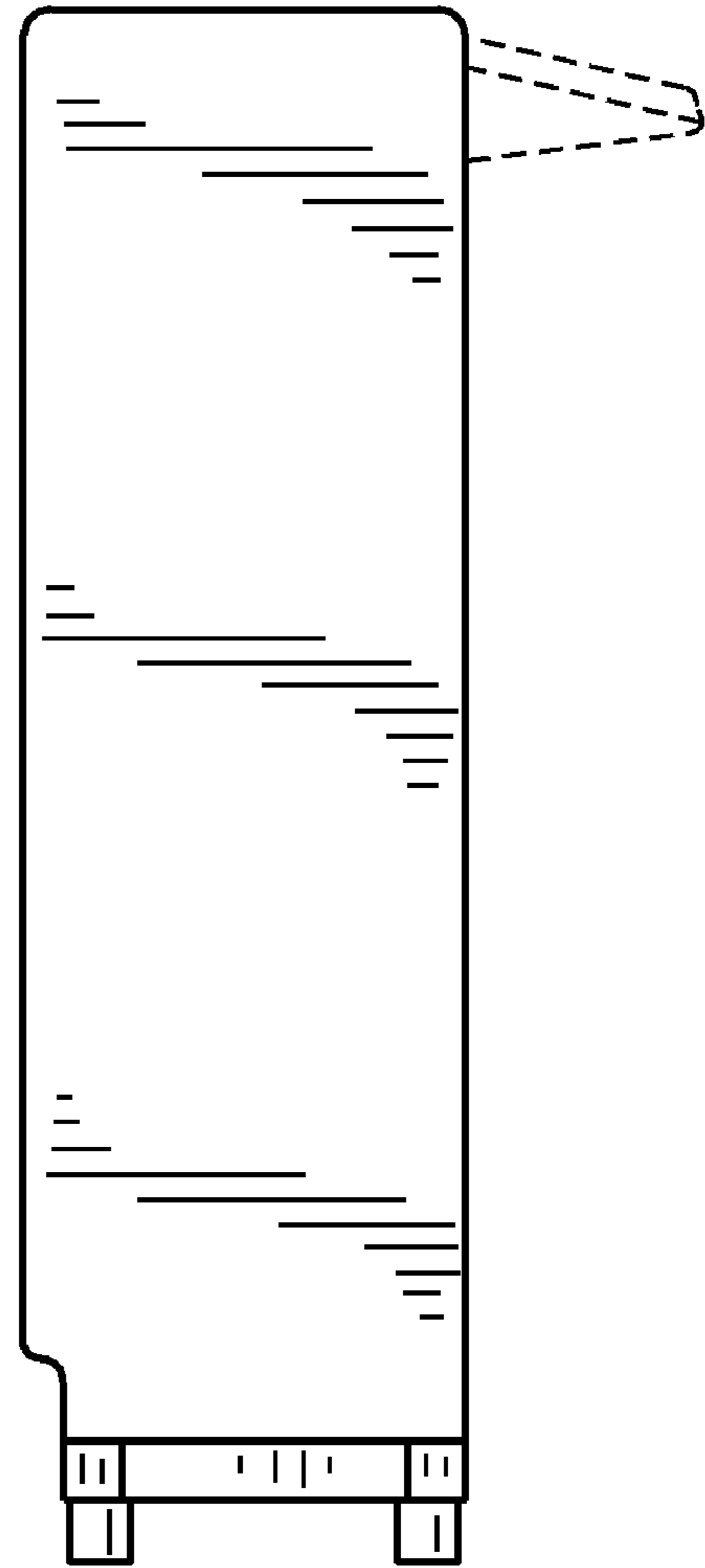


FIG. 4

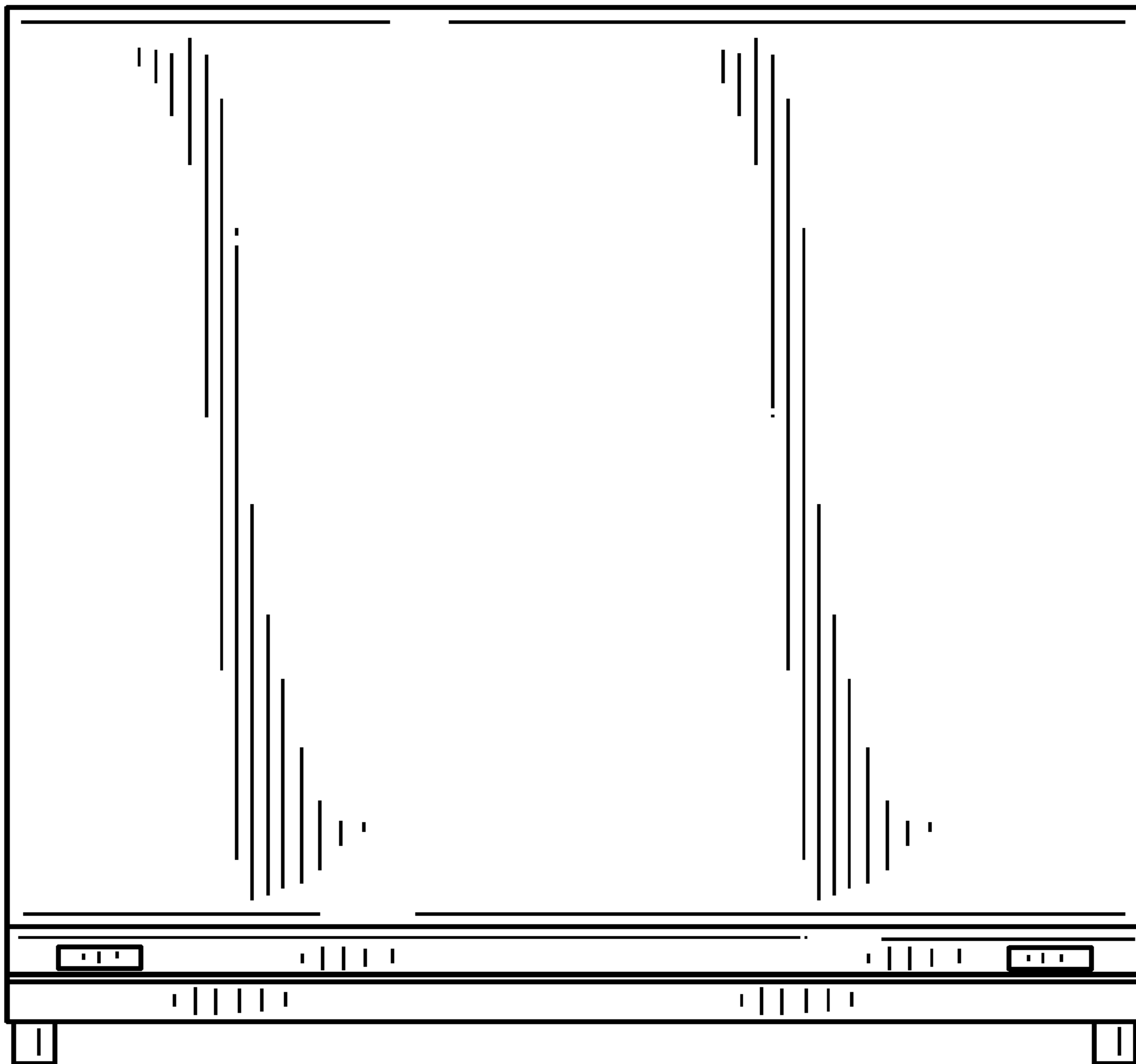


FIG. 5

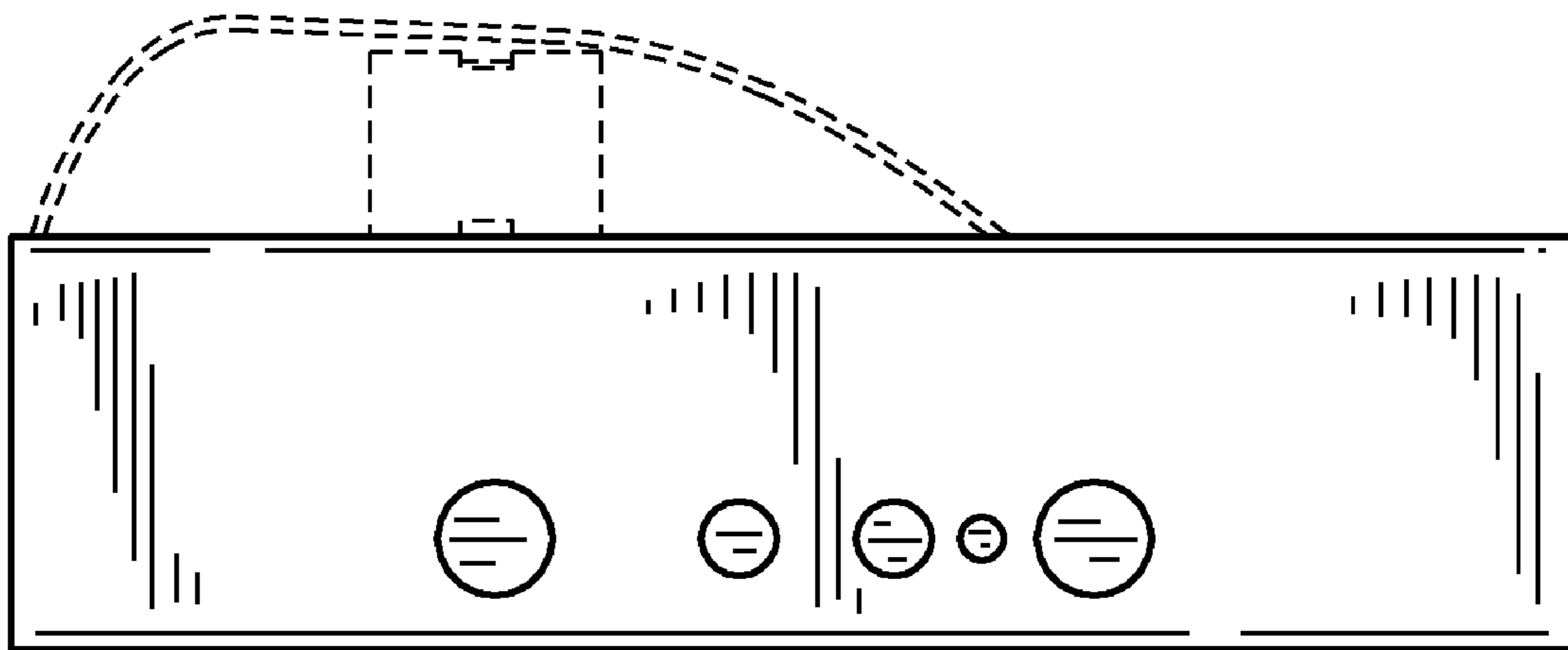


FIG. 6

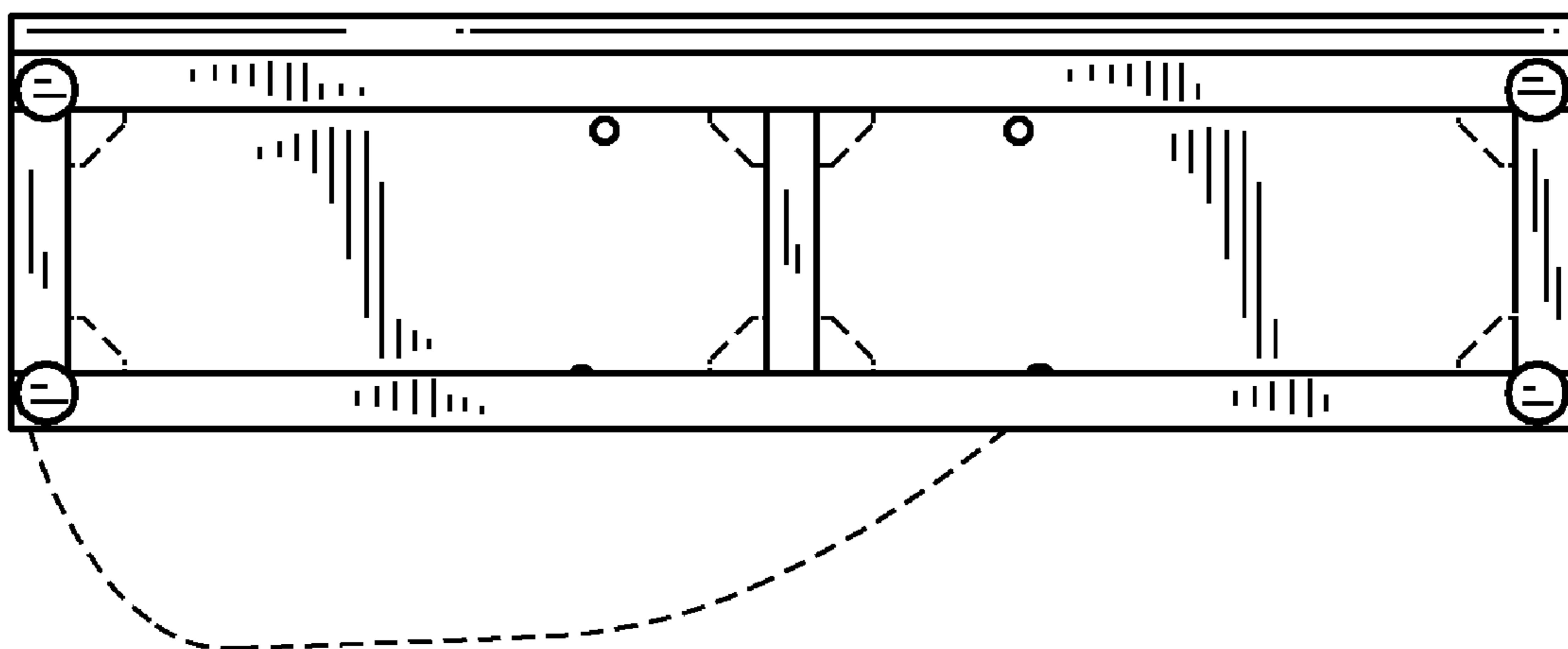


FIG. 7

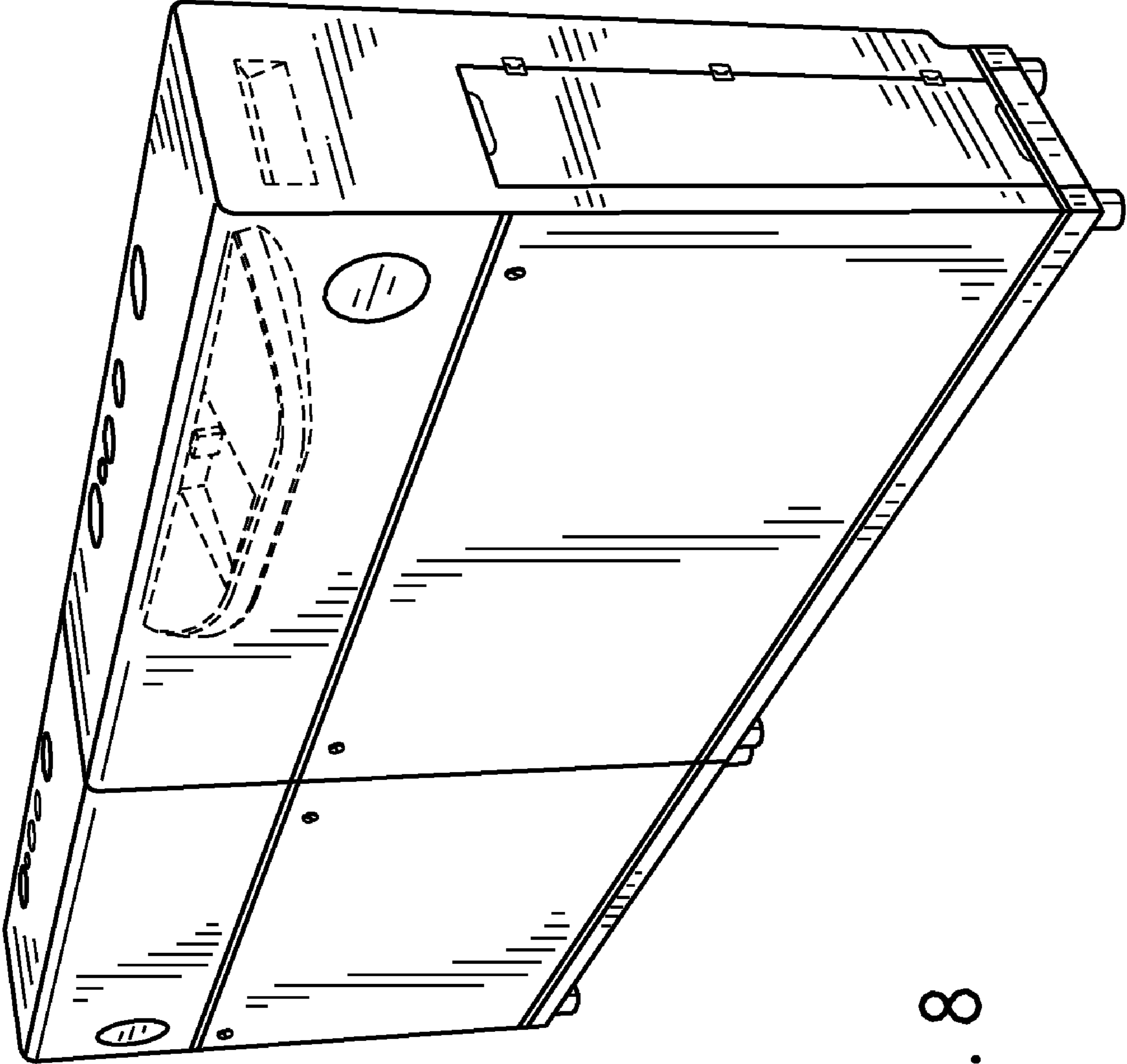


FIG. 8

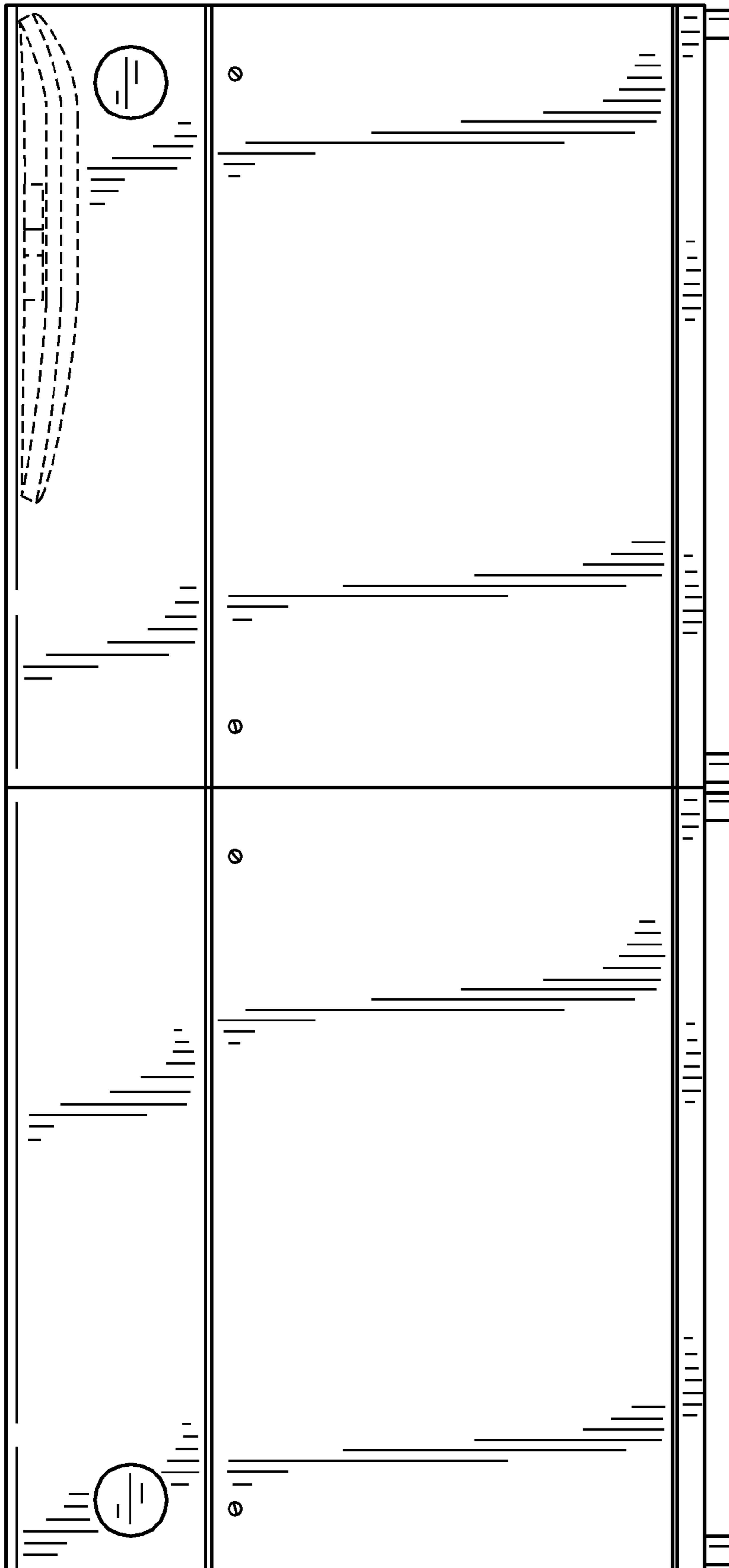


FIG. 9

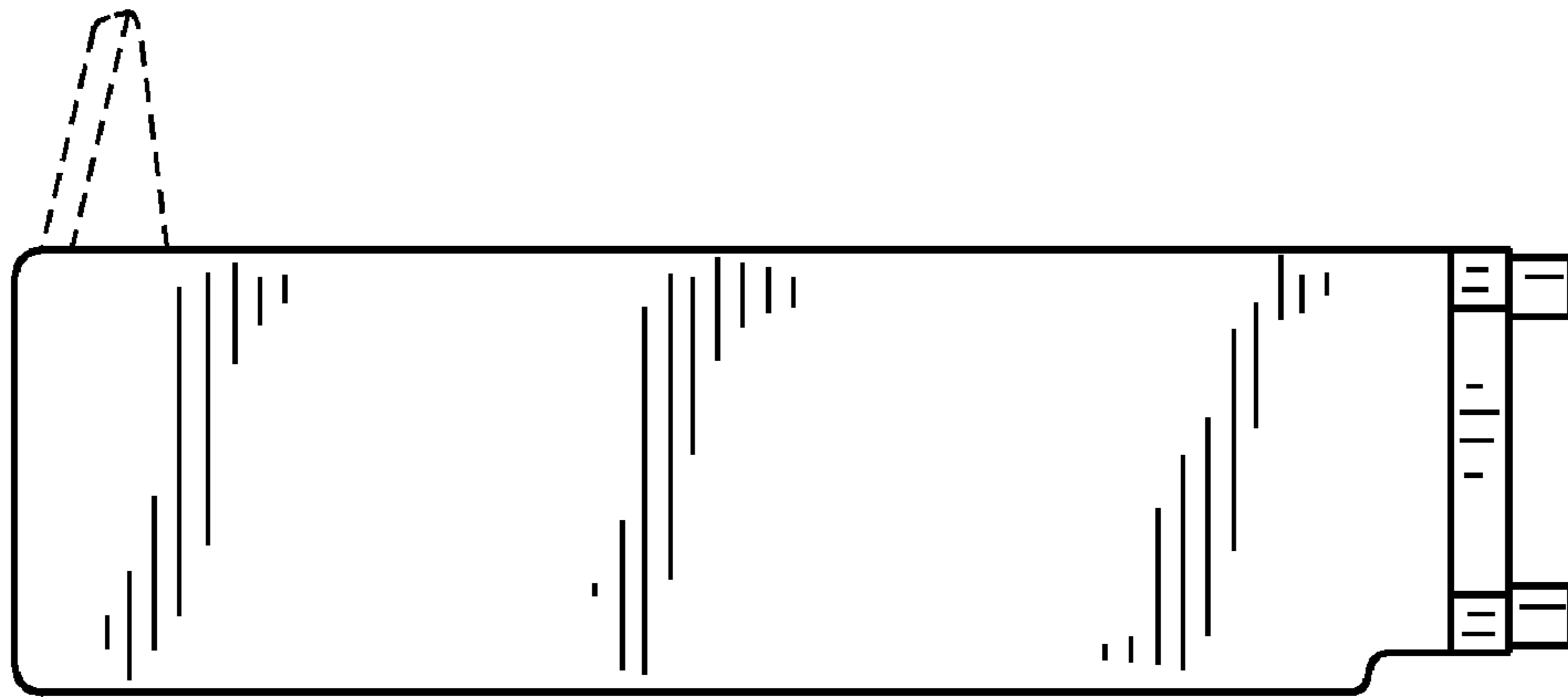


FIG. 11

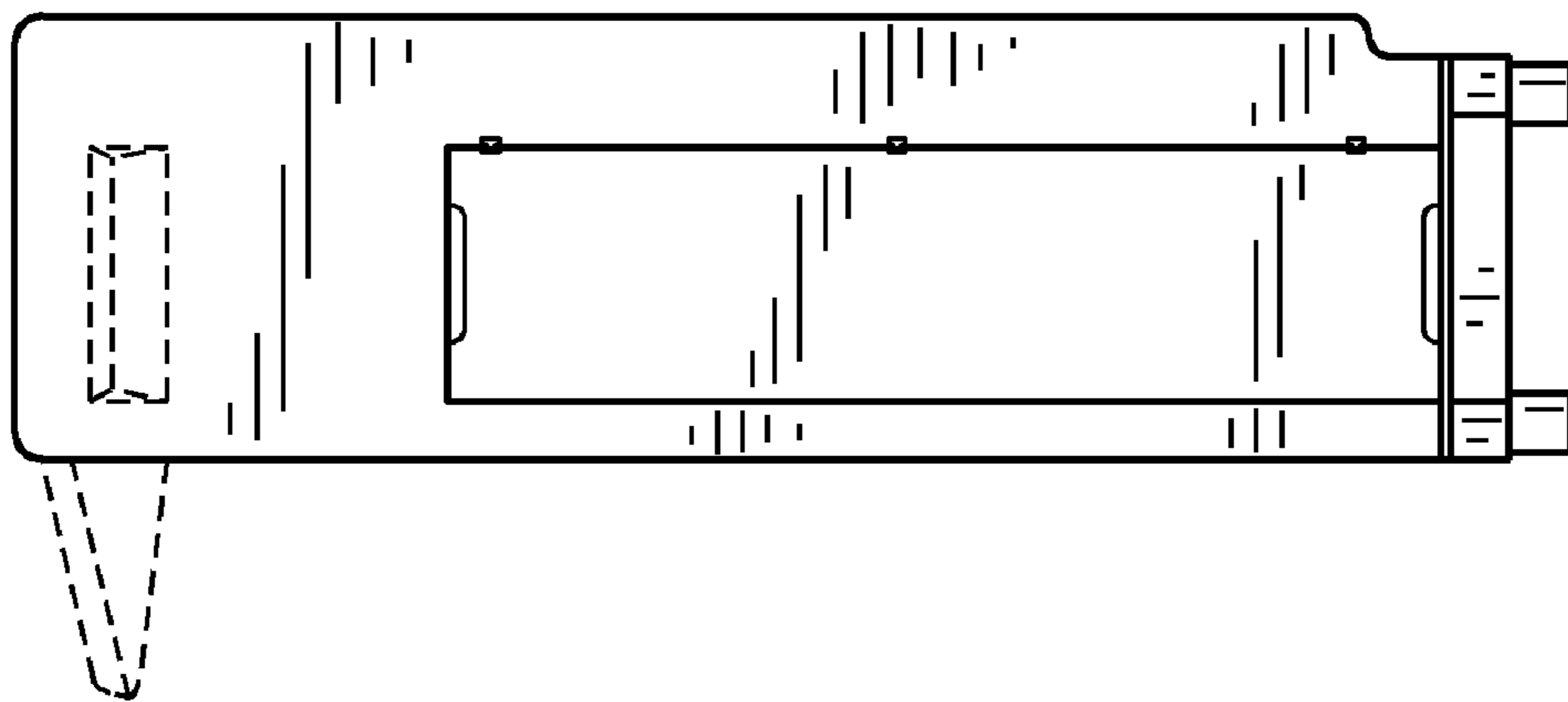


FIG. 10

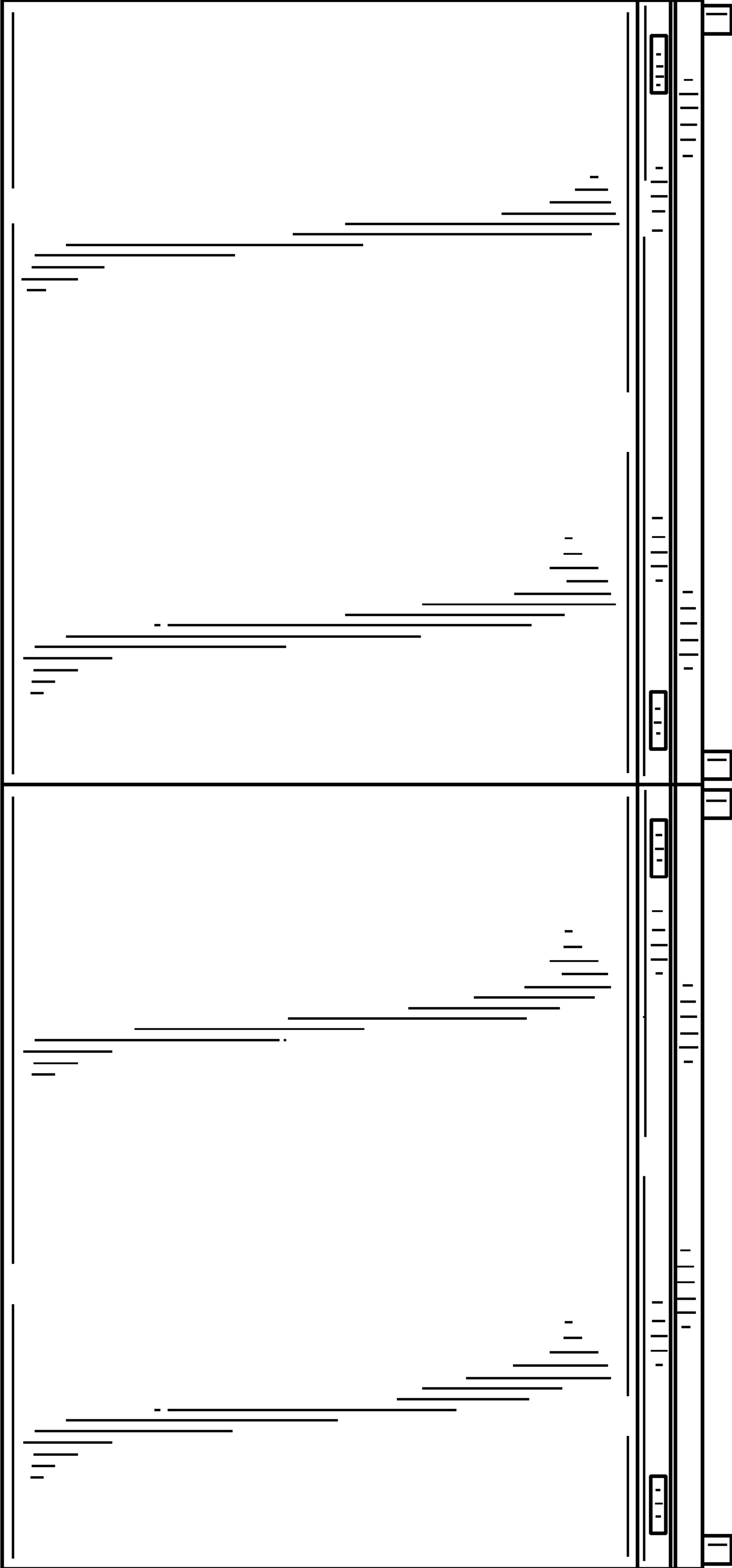


FIG. 12

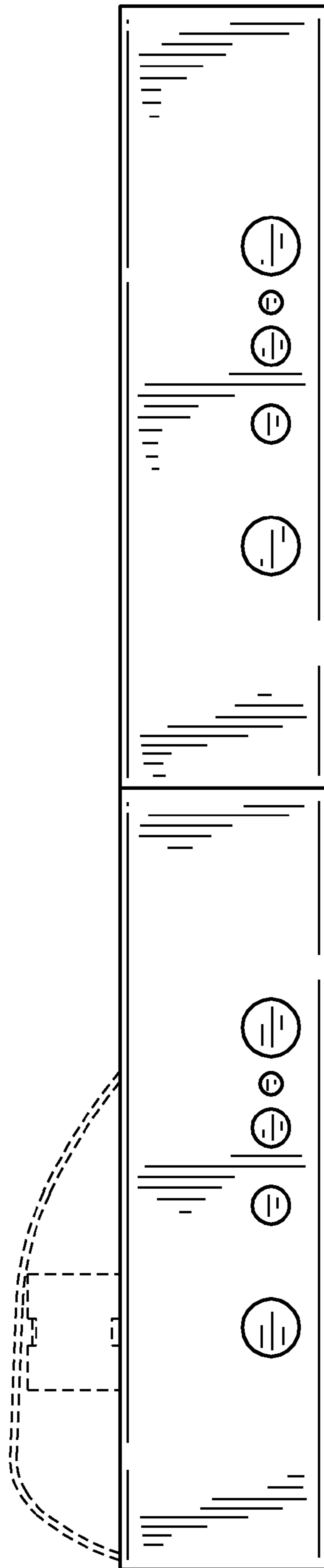


FIG. 13

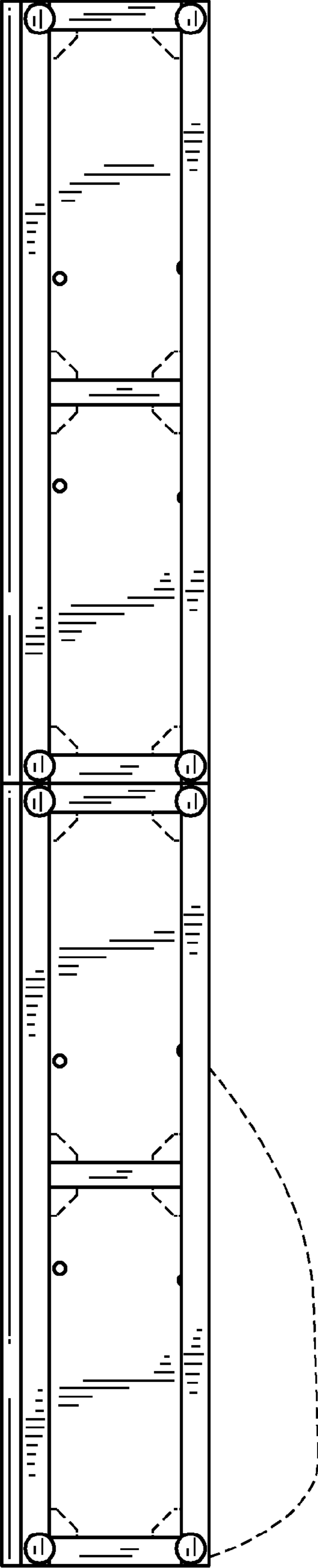


FIG. 14