



US00D624063S

(12) **United States Design Patent**
Kasuga et al.

(10) **Patent No.:** **US D624,063 S**

(45) **Date of Patent:** **** Sep. 21, 2010**

(54) **DISPLAY**

(75) Inventors: **Hiroyuki Kasuga**, Minato-ku (JP);
Yoshihito Mochizuki, Minato-ku (JP);
Hsi-Ming Chen, Minato-ku (JP); **Naoto**
Fukasawa, Shibuya-ku (JP)

(73) Assignee: **NEC Display Solutions, Ltd.**, Tokyo
(JP)

(**) Term: **14 Years**

(21) Appl. No.: **29/358,247**

(22) Filed: **Mar. 24, 2010**

(51) **LOC (9) Cl.** **14-03**

(52) **U.S. Cl.** **D14/239**

(58) **Field of Classification Search** D14/125–134,
D14/239, 371, 136, 374–377; D8/363, 373,
D8/349, 394; 248/465, 917–924, 123.11;
348/825, 827, 836, 837, 838, 180, 184, 325,
348/739; 600/443; D6/477–479, 407, 474,
D6/460, 461, 468; 312/7.2; 341/12; 345/87,
345/104, 133, 156, 168, 169, 173; 720/605,
720/669, 600, 655; 369/99, 197; 455/344–347;
349/1, 2, 11, 62; 108/59, 91, 92, 96; 211/40,
211/41.12, 42, 49.1, 50, 85.2, 90.04, 187,
211/190, 119.003, 134.153, 87.01, 71.01
See application file for complete search history.

(56) **References Cited**

U.S. PATENT DOCUMENTS

5,730,406 A * 3/1998 Chen 248/223.41
D496,362 S * 9/2004 Ozolins et al. D14/375
D496,363 S * 9/2004 Ozolins et al. D14/375

D496,937 S * 10/2004 Ozolins et al. D14/375
D497,167 S * 10/2004 Ozolins et al. D14/375
D507,270 S * 7/2005 Ozolins et al. D14/375
D507,570 S * 7/2005 Ozolins et al. D14/375
D545,314 S * 6/2007 Kim D14/375
D556,160 S * 11/2007 Lee et al. D14/126
2005/0045782 A1 * 3/2005 Lee et al. 248/158
2007/0215762 A1 * 9/2007 Lee et al. 248/125.7
2008/0048085 A1 * 2/2008 Cox et al. 248/415

* cited by examiner

Primary Examiner—Raphael Barkai

Assistant Examiner—Randall H Gholson

(74) *Attorney, Agent, or Firm*—Sughrue Mion, PLLC

(57) **CLAIM**

The ornamental design for a display, as shown and described.

DESCRIPTION

FIG. 1 is a front, left side, top perspective view of a display showing our new design;

FIG. 2 is a front elevational view thereof;

FIG. 3 is a rear elevational view thereof;

FIG. 4 is a left side view thereof;

FIG. 5 is a right side view thereof;

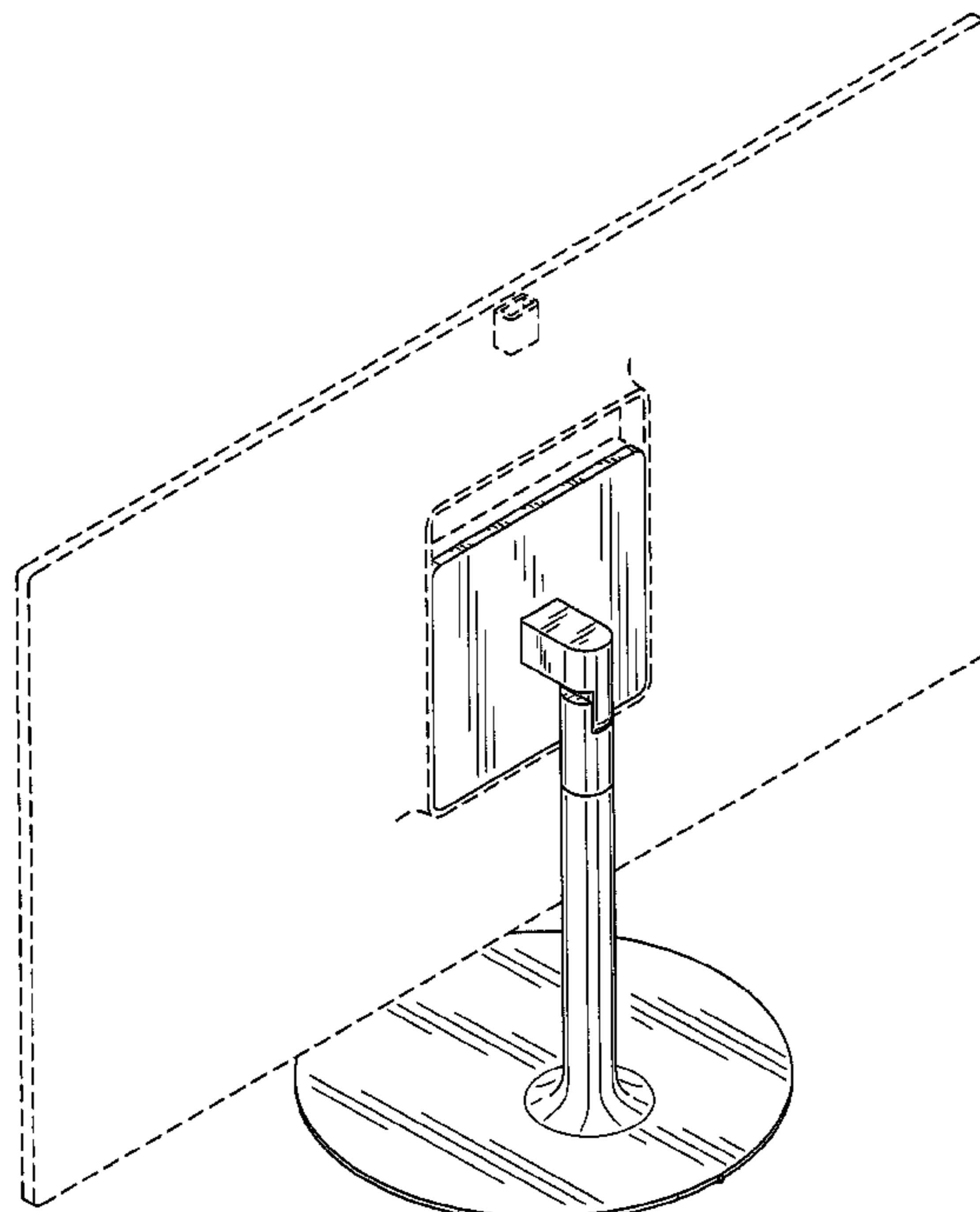
FIG. 6 is a top plan view thereof;

FIG. 7 is a bottom plan view thereof; and,

FIG. 8 is a cross-sectional view thereof, taken along the line 8—8 of FIG. 2.

The portions in broken lines are shown for illustrative purposes only and form no part of the claimed design.

1 Claim, 7 Drawing Sheets



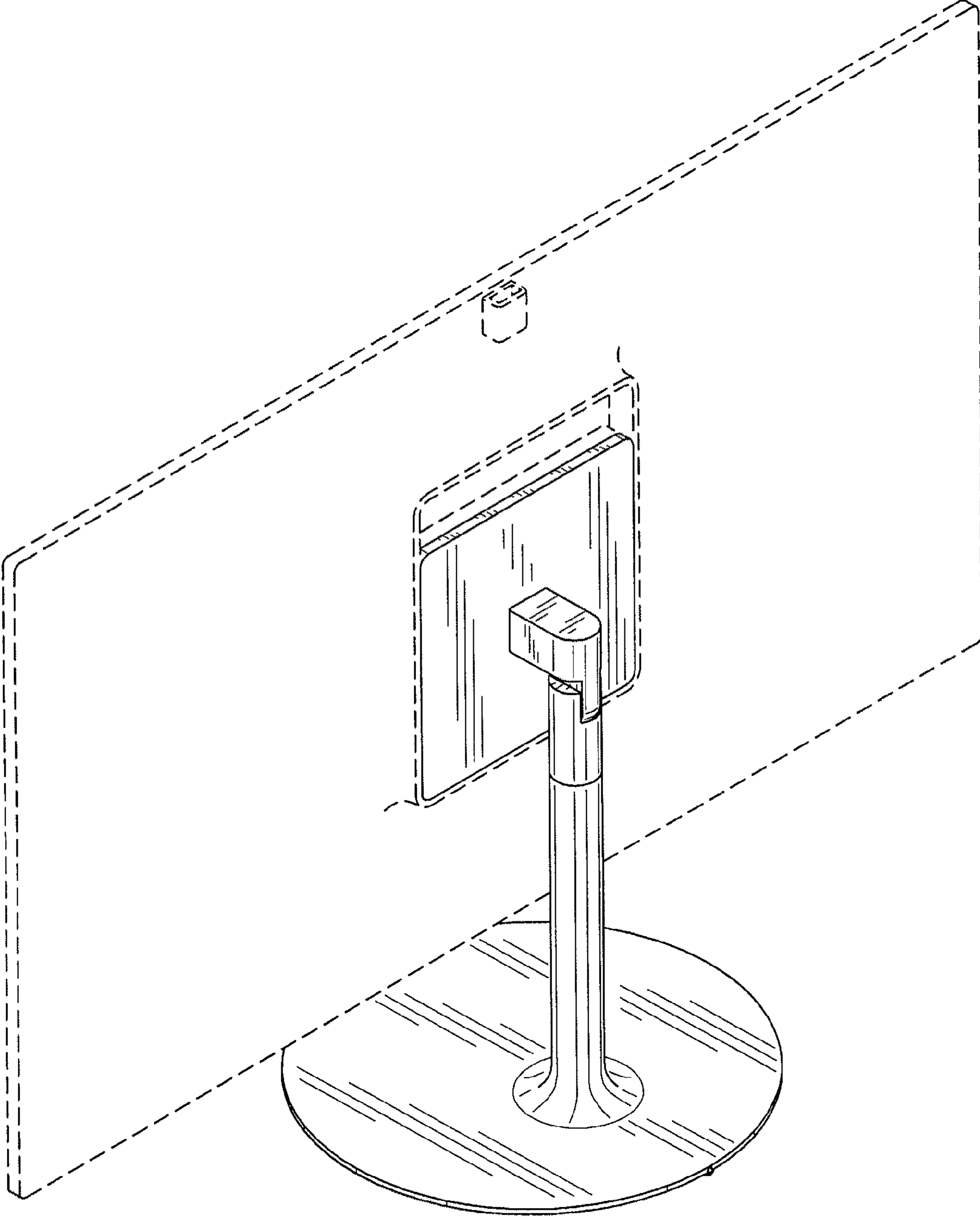


FIG. 1

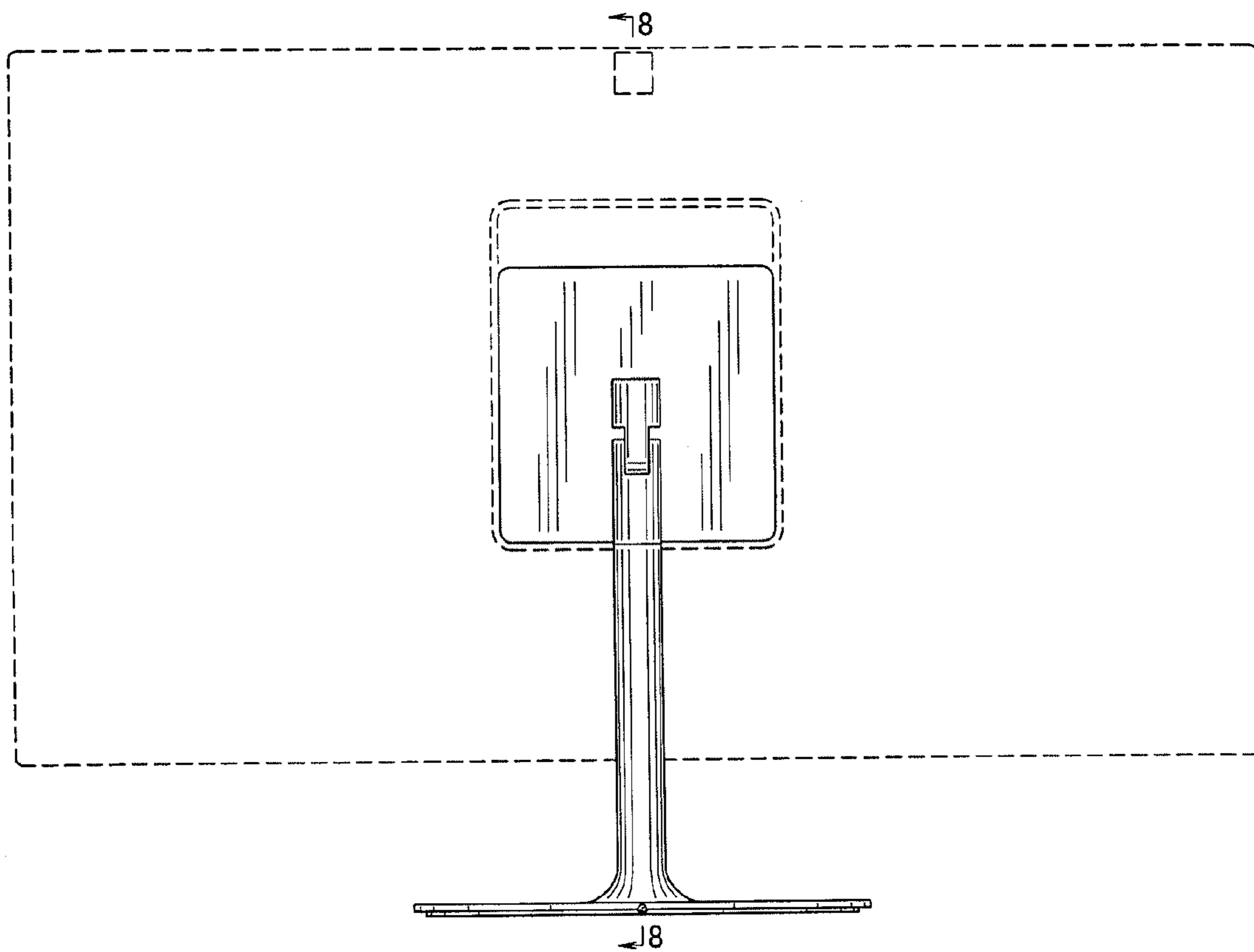


FIG. 2

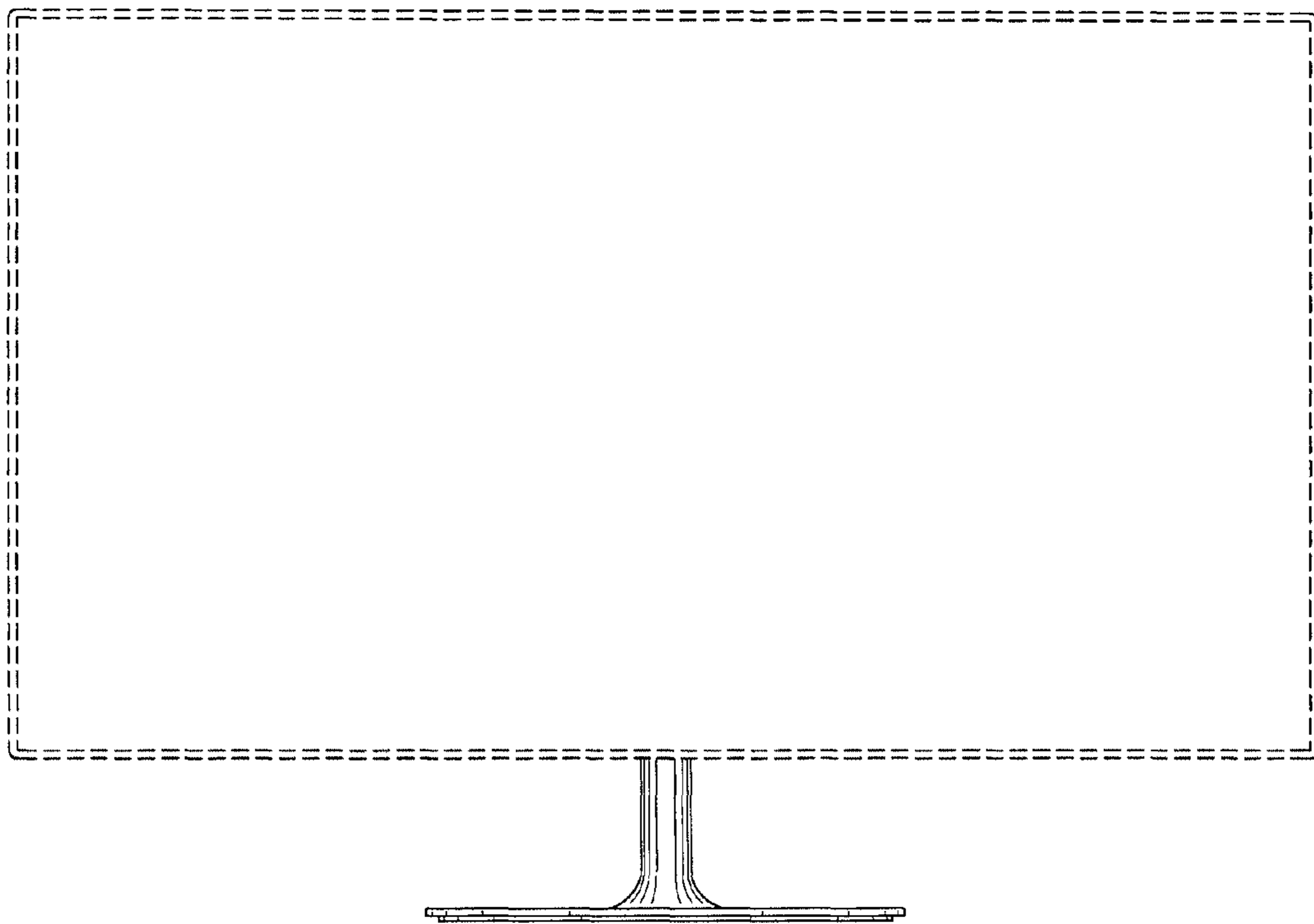


FIG. 3

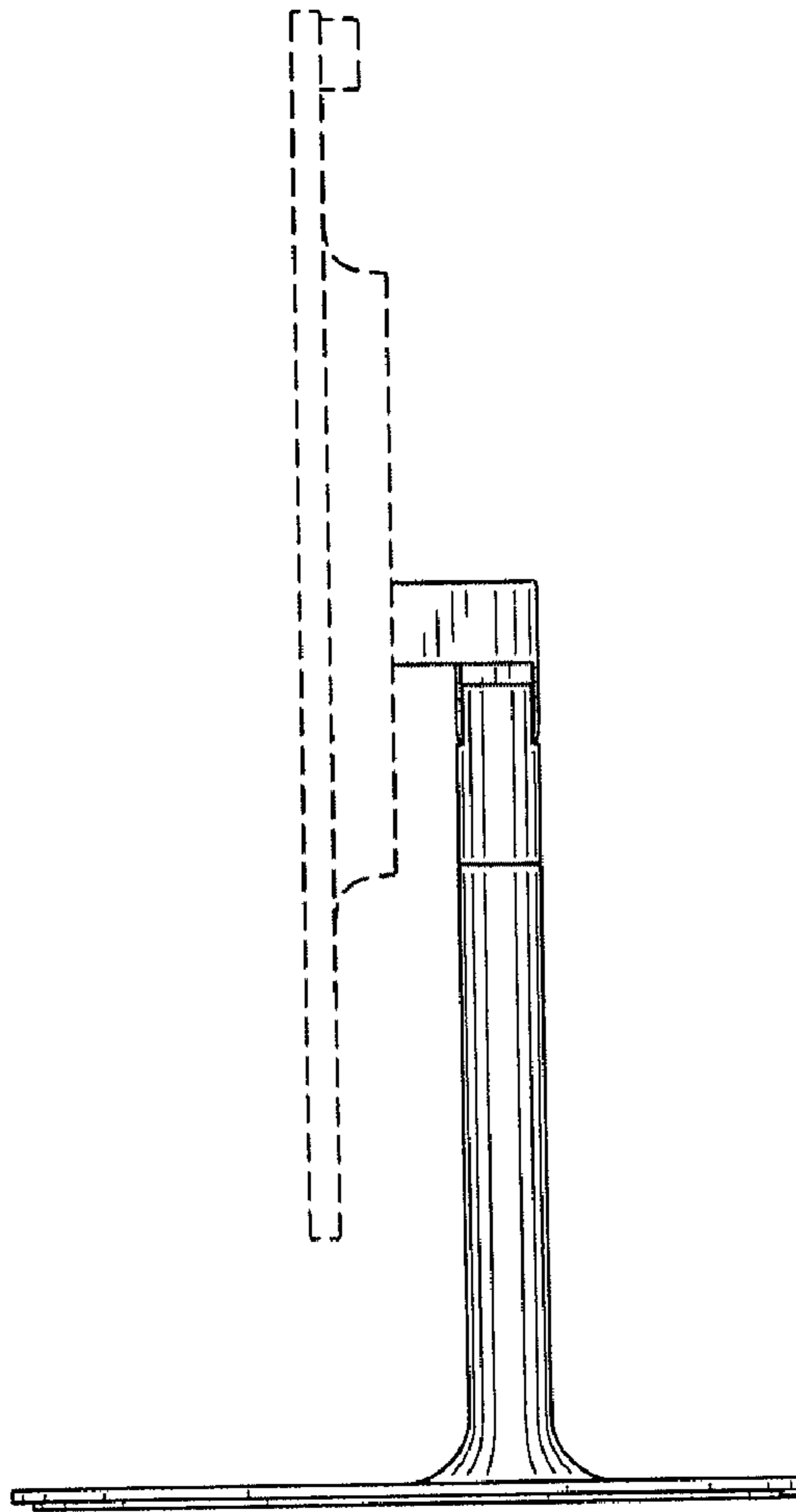


FIG. 4

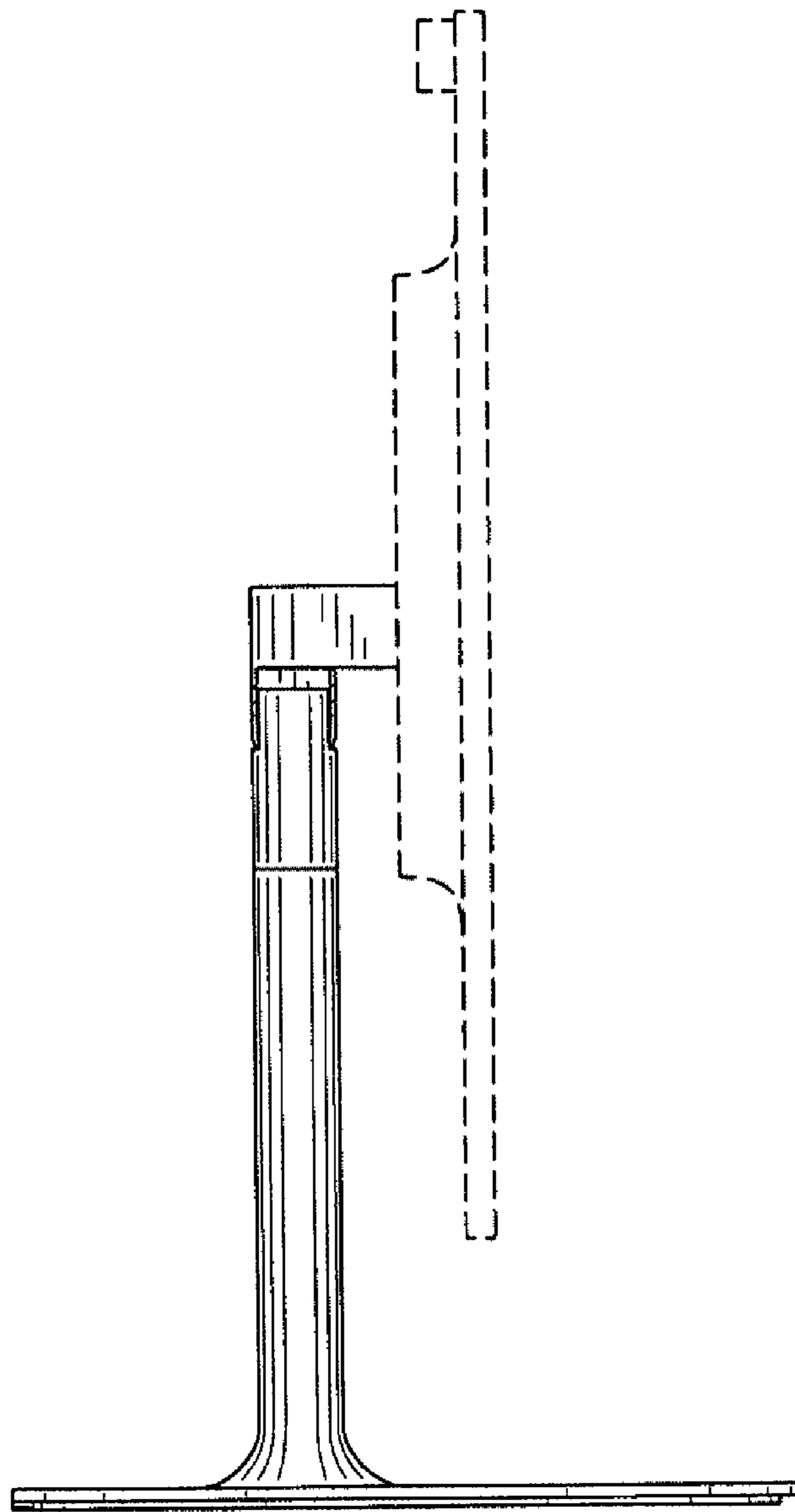


FIG. 5

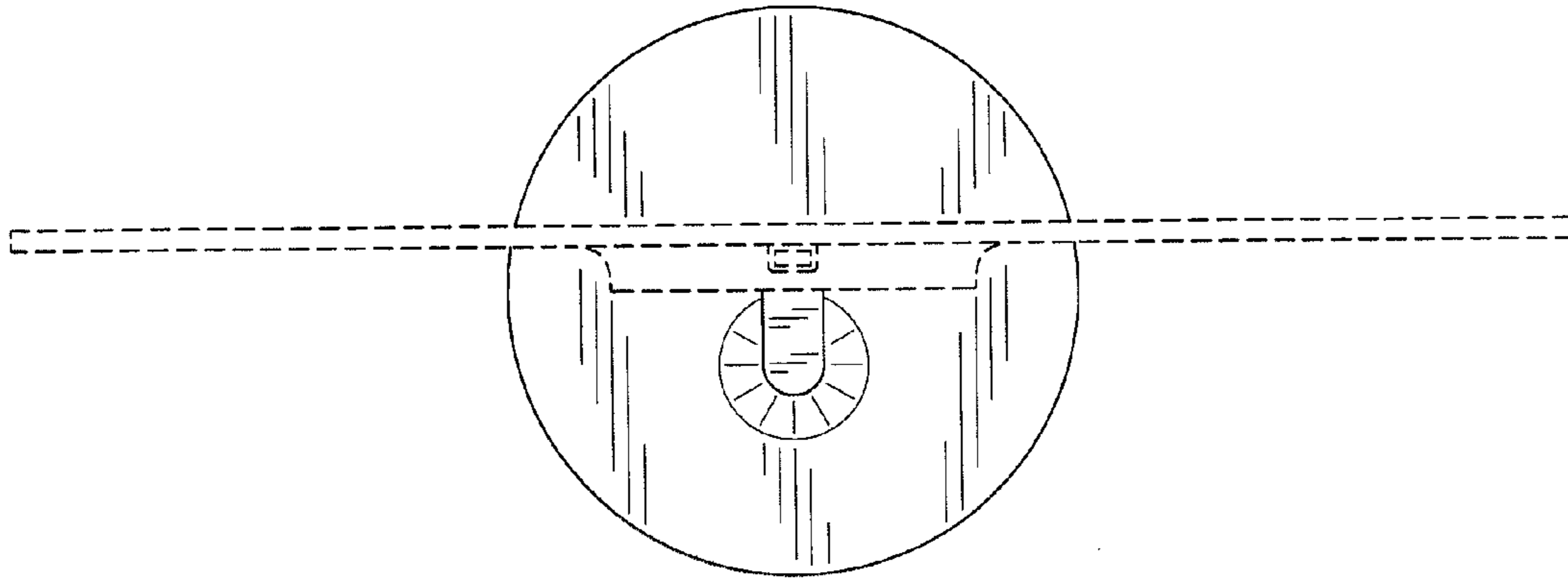


FIG. 6

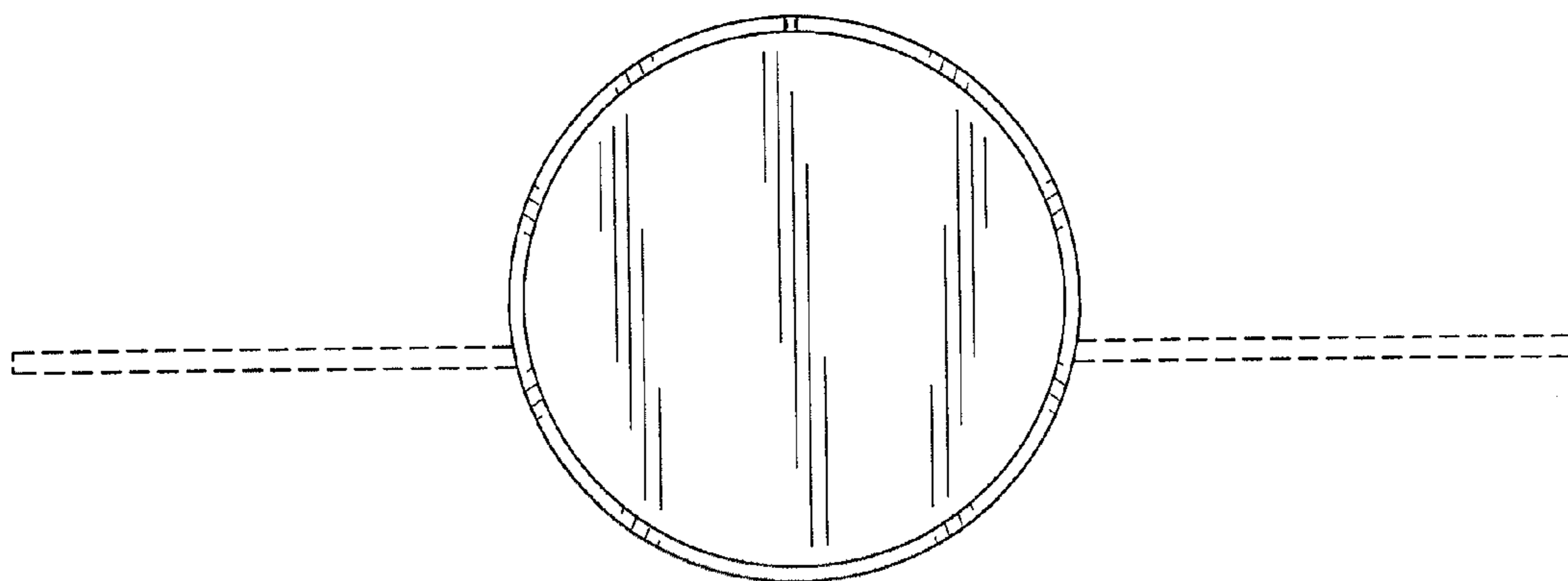


FIG. 7

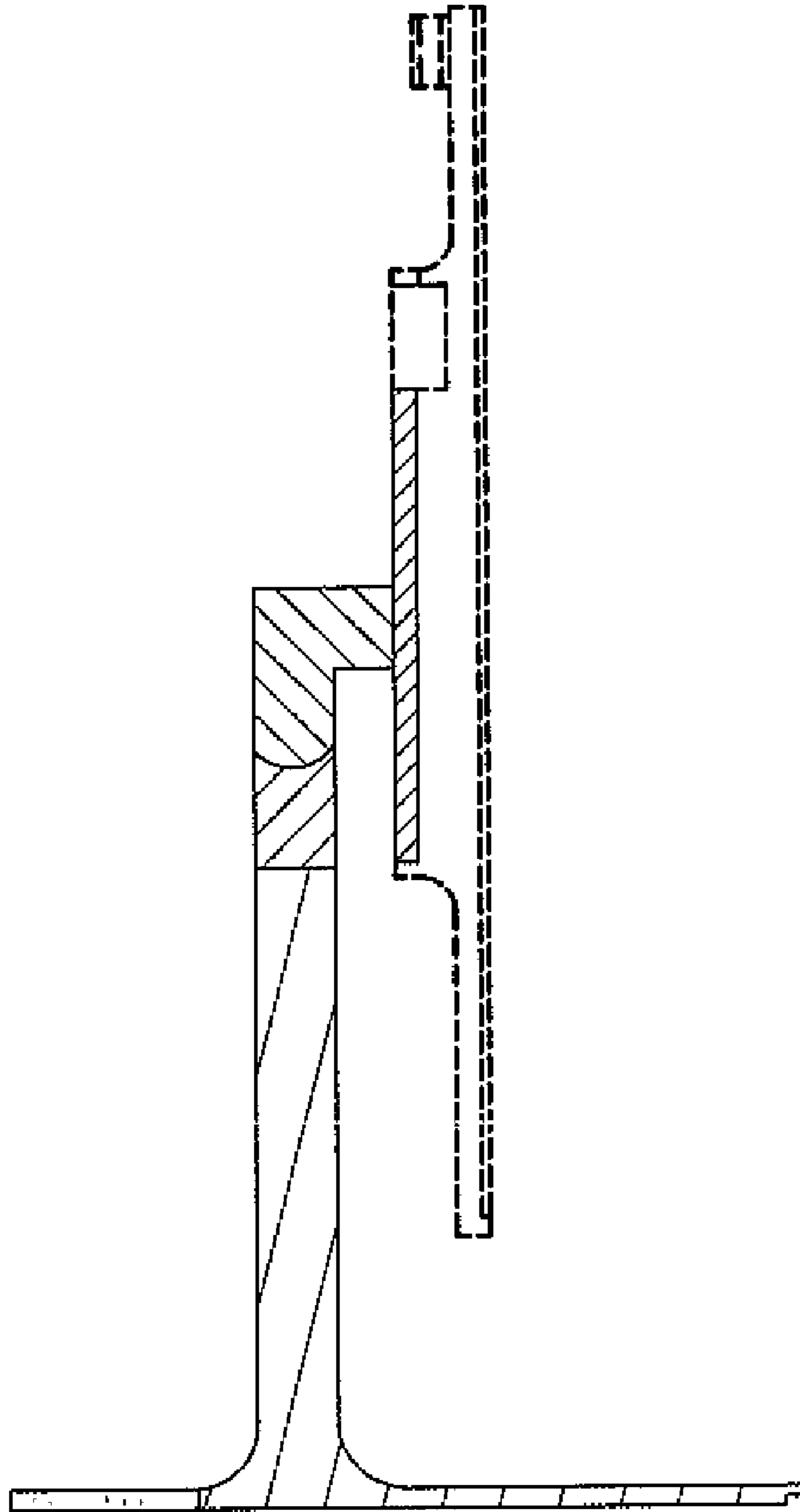


FIG. 8