



US00D624061S

(12) **United States Design Patent**  
**Smith et al.**

(10) **Patent No.:** **US D624,061 S**  
(45) **Date of Patent:** **\*\* Sep. 21, 2010**

(54) **ELECTRONIC DISPLAY MOUNT WITH FOLDING WALL PLATE**

(75) Inventors: **Paul Smith**, Savage, MN (US); **Jeff Bremmon**, Shakopee, MN (US); **Nathan Bohl**, Savage, MN (US)

(73) Assignee: **Milestone AV Technologies LLC**, Savage, MN (US)

(\*\*) Term: **14 Years**

(21) Appl. No.: **29/343,133**

(22) Filed: **Sep. 8, 2009**

(51) **LOC (9) Cl.** ..... **14-03**

(52) **U.S. Cl.** ..... **D14/239**

(58) **Field of Classification Search** ..... D14/125-134, D14/239, 371, 136, 374-377; D8/363, 373, D8/349, 394; 248/465, 917-924, 123.11; 348/825, 827, 836, 837, 838, 180, 184, 325, 348/739; 600/443; D6/477-479, 407, 474, D6/460, 461, 468; 312/7.2; 341/12; 345/87, 345/104, 133, 156, 168, 169, 173; 720/605, 720/669, 600, 655; 369/99, 197; 455/344-347; 349/1, 2, 11, 62; 108/59, 91, 92, 96; 211/40, 211/41.12, 42, 49.1, 50, 85.2, 90.04, 187, 211/190, 119.003, 134.153, 87.07, 71.01  
See application file for complete search history.

(56) **References Cited**

U.S. PATENT DOCUMENTS

6,923,413 B2 \* 8/2005 Dozier ..... 248/294.1  
D560,670 S \* 1/2008 Anderson et al. .... D14/451  
7,318,572 B2 \* 1/2008 Dozier ..... 248/294.1  
D561,562 S \* 2/2008 Wohlford et al. .... D8/354  
D561,775 S \* 2/2008 Wohlford et al. .... D14/451  
D570,852 S \* 6/2008 Muday et al. .... D14/451  
D580,445 S \* 11/2008 Bremmon ..... D8/363

D593,081 S \* 5/2009 Grolle et al. .... D14/239  
D595,277 S \* 6/2009 Bremmon et al. .... D14/239  
D598,458 S \* 8/2009 Li ..... D14/451  
7,661,642 B2 \* 2/2010 Oh et al. .... 248/274.1

\* cited by examiner

*Primary Examiner*—Raphael Barkai

*Assistant Examiner*—Randall H Gholson

(74) *Attorney, Agent, or Firm*—Patterson Thuent Christensen Pedersen P.A.

(57) **CLAIM**

The ornamental design for an electronic display mount with folding wall plate, as shown and described.

**DESCRIPTION**

FIG. 1 is a front perspective view of an electronic display mount with folding wall plate according to a first embodiment of the invention;

FIG. 2 is a front elevation view of the electronic display mount with folding wall plate depicted in FIG. 1;

FIG. 3 is a left side elevation view of the electronic display mount with folding wall plate depicted in FIG. 1;

FIG. 4 is a right side elevation view of the electronic display mount with folding wall plate depicted in FIG. 1;

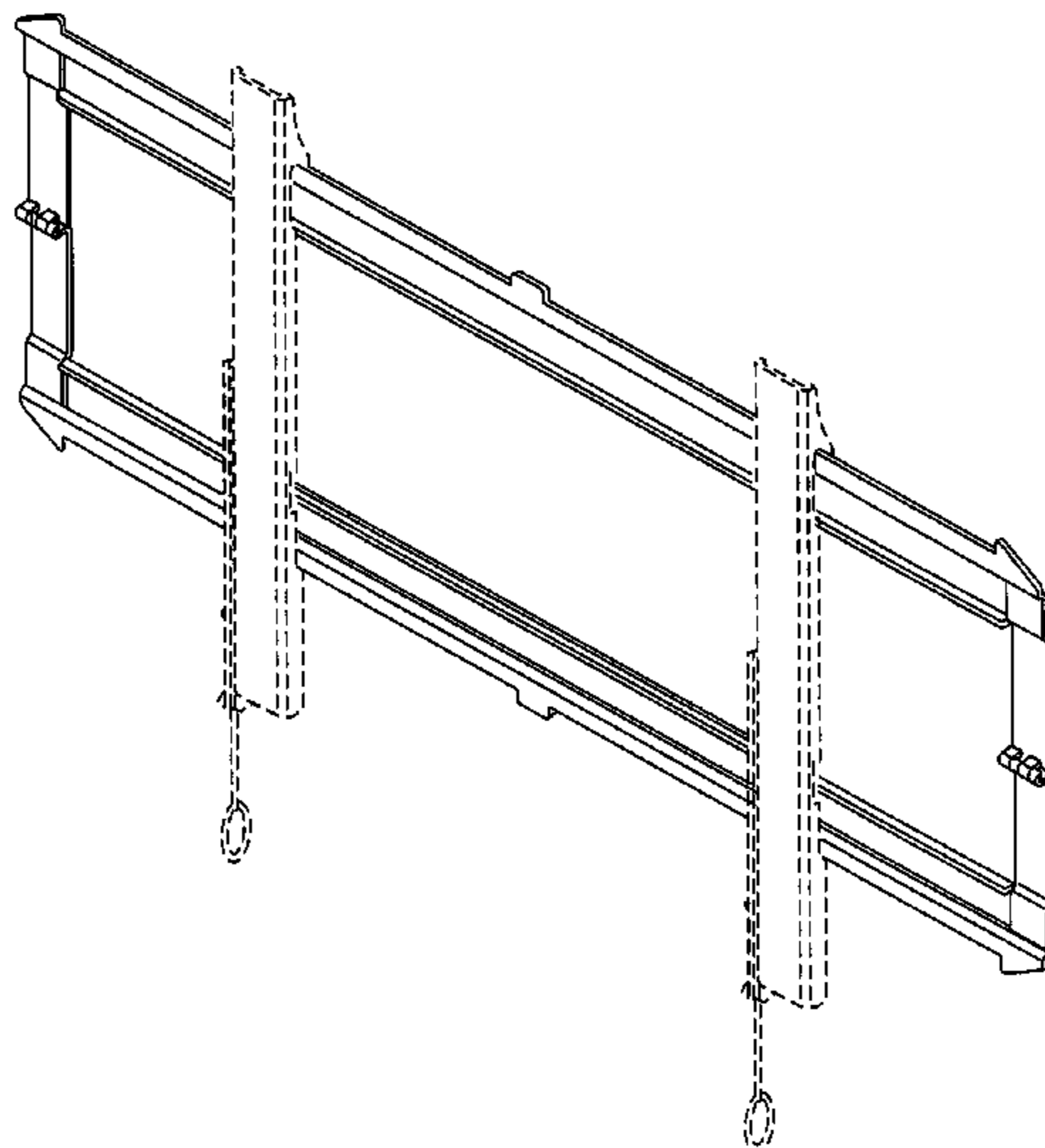
FIG. 5 is a top plan view of the electronic display mount with folding wall plate depicted in FIG. 1; and,

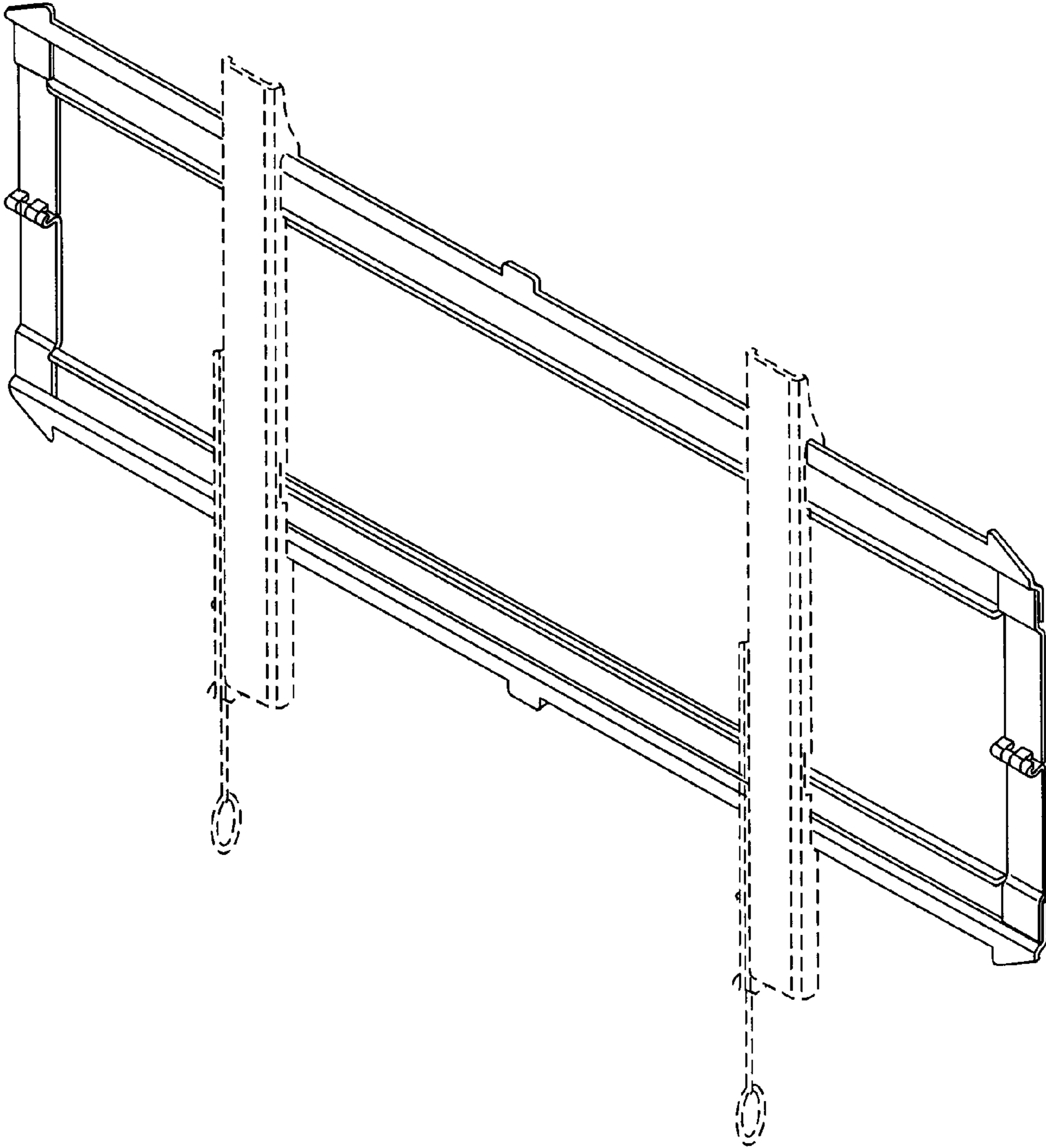
FIG. 6 is a bottom plan view of the electronic display mount with folding wall plate depicted in FIG. 1.

The rear elevation views of the electronic display mount with folding wall plate of the embodiments of FIGS. 1-6 are not claimed and are thus not depicted.

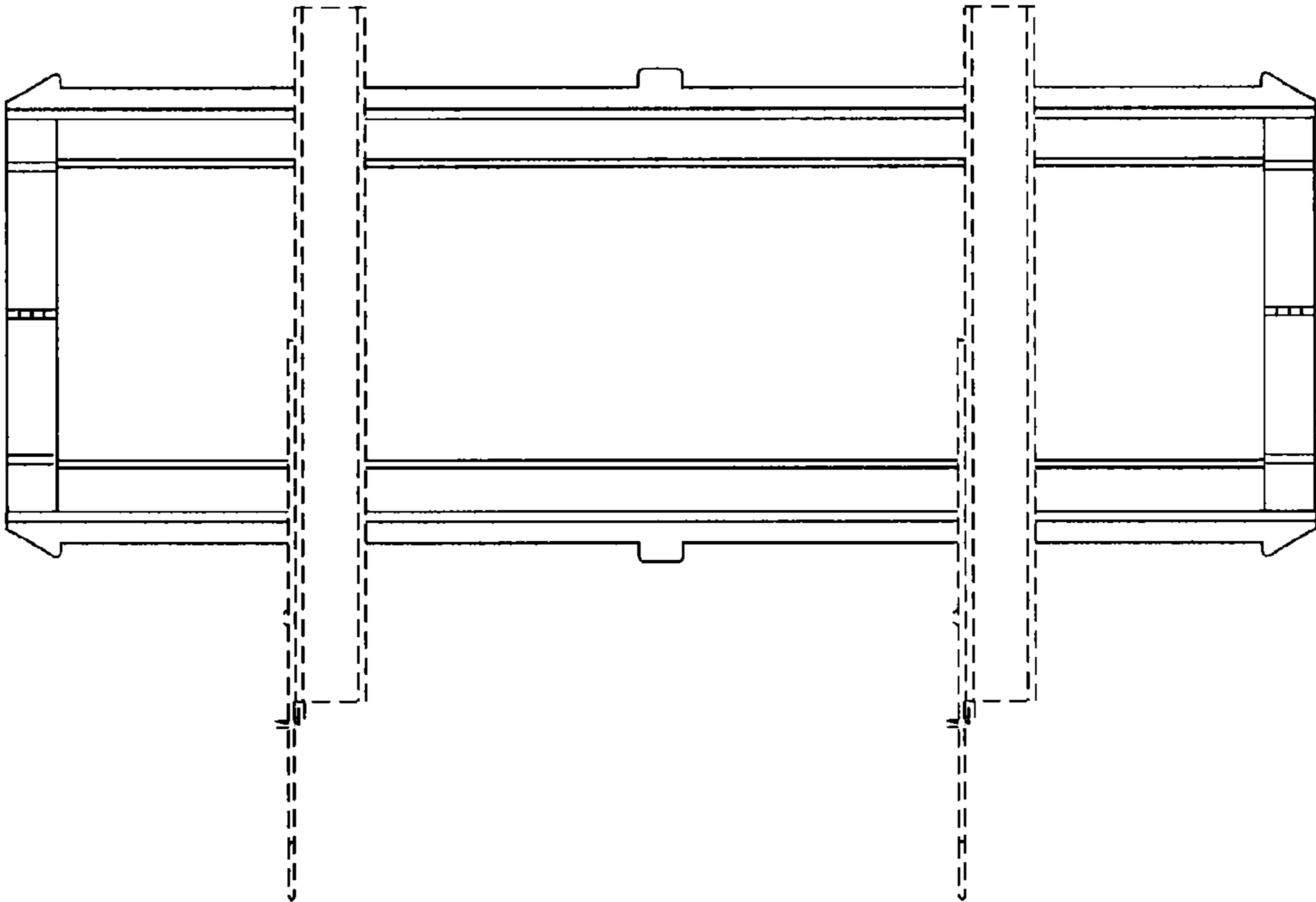
The portions of the figures shown in dashed lines are for illustrative purposes only and form no part of the claimed invention.

**1 Claim, 3 Drawing Sheets**





**Fig. 1**



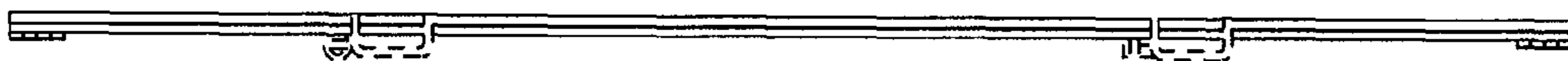
**Fig. 2**



**Fig. 3**



**Fig. 4**



**Fig. 5**



**Fig. 6**