



US00D624060S

(12) **United States Design Patent**
Sergi et al.

(10) **Patent No.:** **US D624,060 S**

(45) **Date of Patent:** **** Sep. 21, 2010**

(54) **ANTENNA FEED LINE**

(75) Inventors: **Paul D. Sergi**, Peninsula, OH (US);
Charles T. Rauch, Barnesville, GA (US)

(73) Assignee: **PDS Electronics, Inc.**, Tallmadge, OH (US)

(**) Term: **14 Years**

(21) Appl. No.: **29/349,508**

(22) Filed: **Apr. 12, 2010**

(51) **LOC (9) Cl.** **14-03**

(52) **U.S. Cl.** **D14/238**

(58) **Field of Classification Search** D14/230–238,
D14/354, 299, 358; D6/495; D16/242; 343/700 R,
343/878–892; 455/561; D8/354
See application file for complete search history.

(56) **References Cited**

U.S. PATENT DOCUMENTS

3,155,976	A *	11/1964	Wickersham, Jr. et al. ..	343/814
D210,025	S *	1/1968	Kleinberg et al.	D14/230
4,218,686	A *	8/1980	Blonder	343/819
5,612,706	A *	3/1997	Podell	343/818
6,483,476	B2 *	11/2002	Cox	343/815
D546,323	S *	7/2007	Van Buren et al.	D14/230
D551,662	S *	9/2007	Buren et al.	D14/230

7,286,097	B1 *	10/2007	Van Buren et al.	343/811
7,423,606	B2 *	9/2008	Knadle et al.	343/819
D612,369	S *	3/2010	Conrad et al.	D14/230

* cited by examiner

Primary Examiner—Celia A Murphy
Assistant Examiner—John Windmuller

(74) *Attorney, Agent, or Firm*—Renner, Kenner, Greive, Bobak, Taylor & Weber

(57) **CLAIM**

The ornamental design for an antenna feed line, as shown and described.

DESCRIPTION

FIG. 1 is a top, front, right side perspective view of an antenna feed line showing our new design;

FIG. 2 is a front elevational view thereof;

FIG. 3 is a rear elevational view thereof;

FIG. 4 is a left side elevational view thereof;

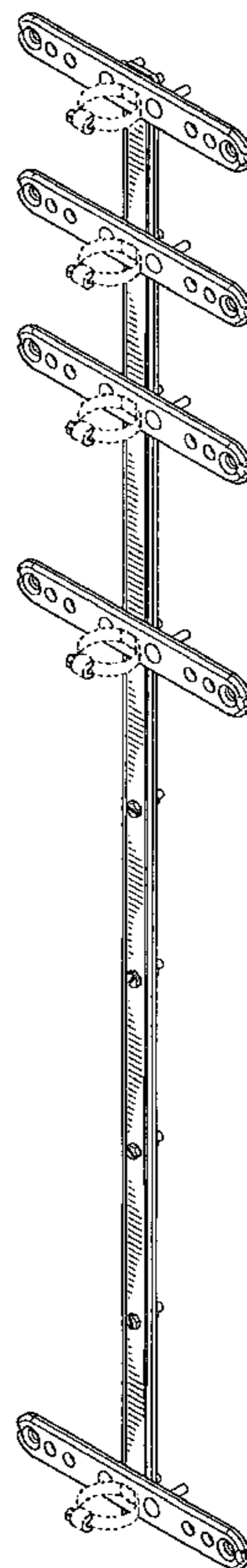
FIG. 5 is a right side elevational view thereof;

FIG. 6 is a top plan view thereof; and,

FIG. 7 is a bottom plan view thereof.

The portions show in dotted lines are not part of the claimed design.

1 Claim, 3 Drawing Sheets



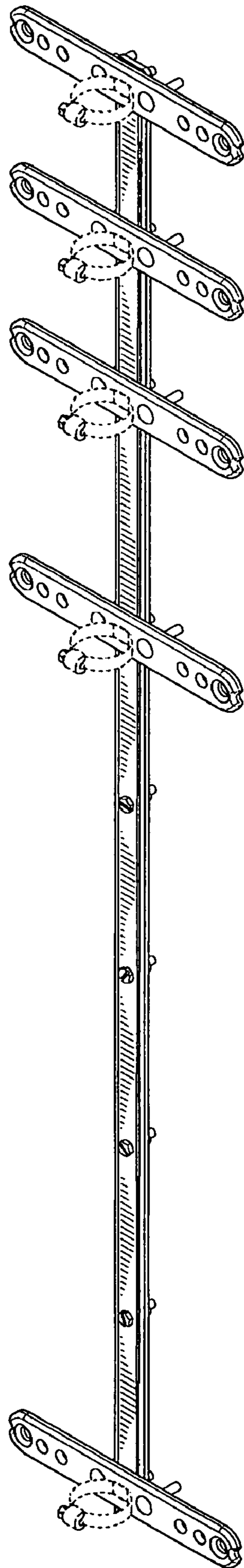


FIG-1

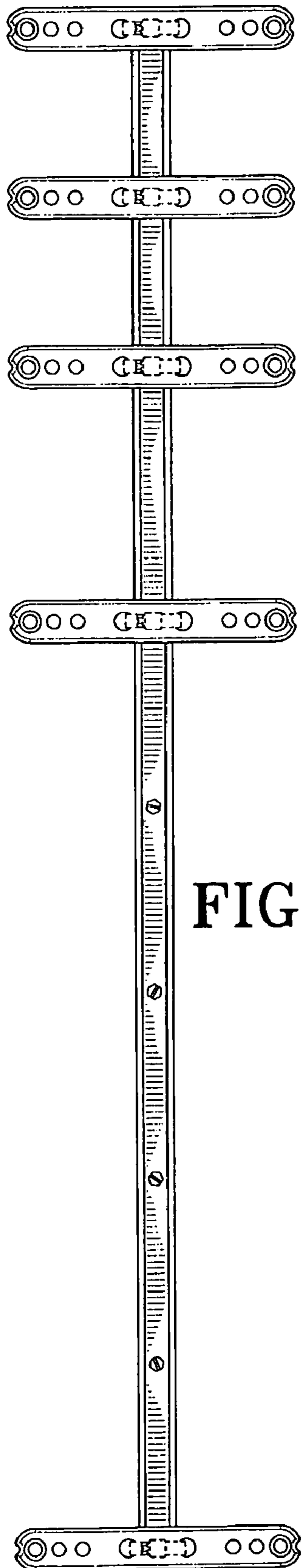


FIG-2

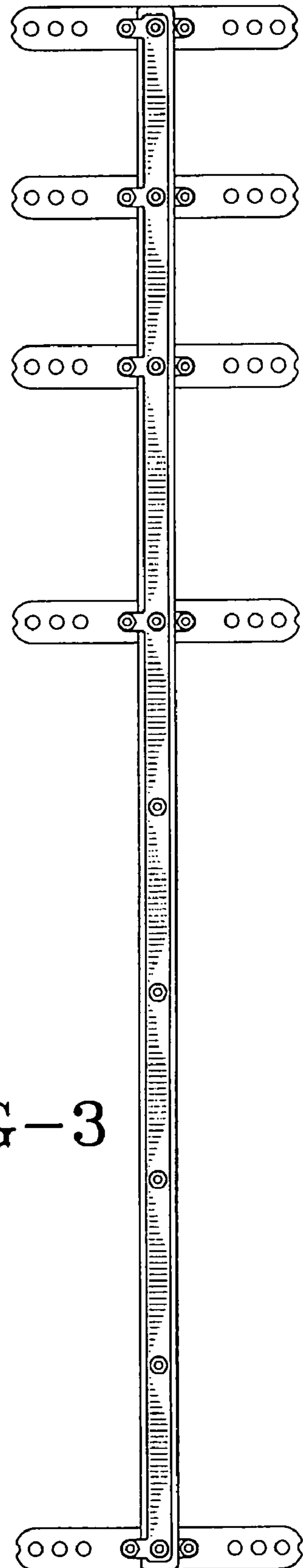


FIG-3

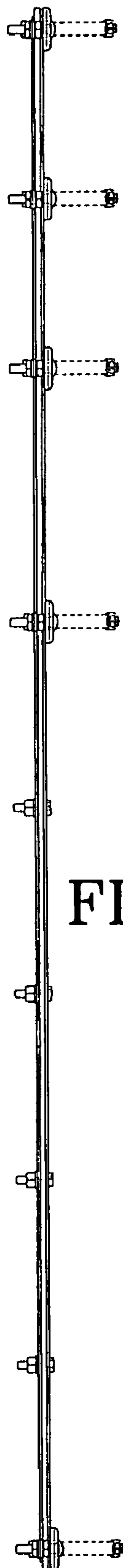


FIG-4

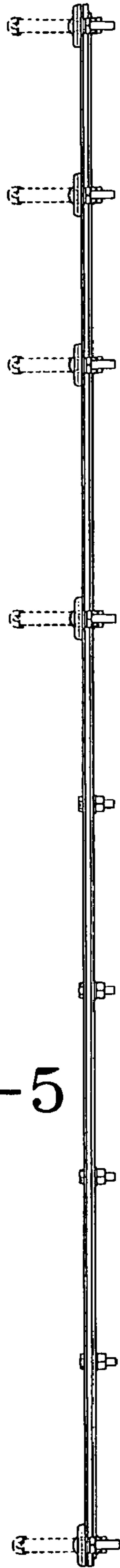


FIG-5

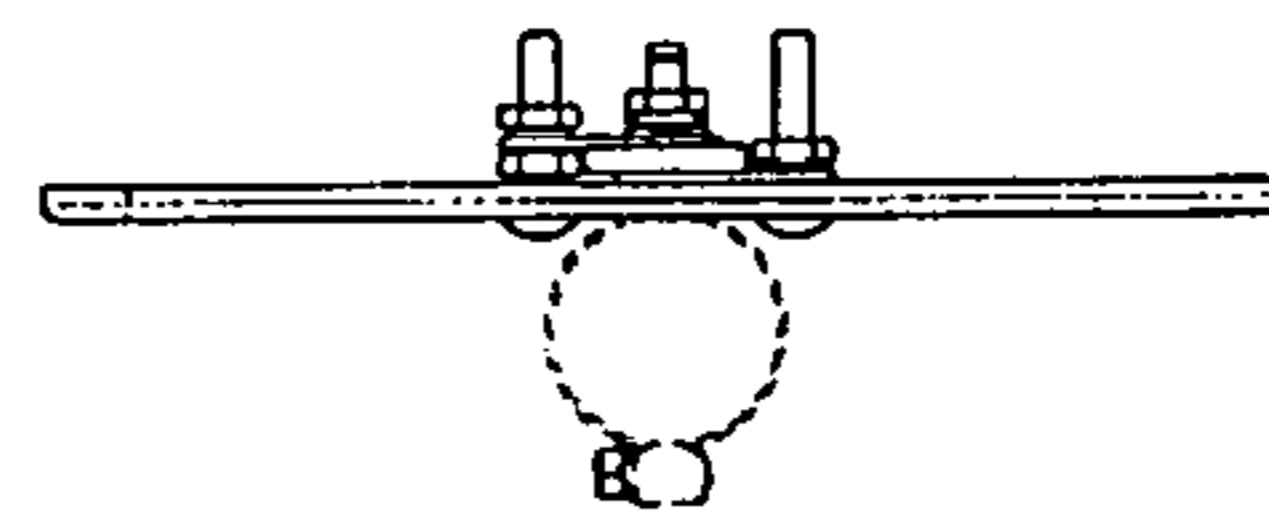


FIG-6

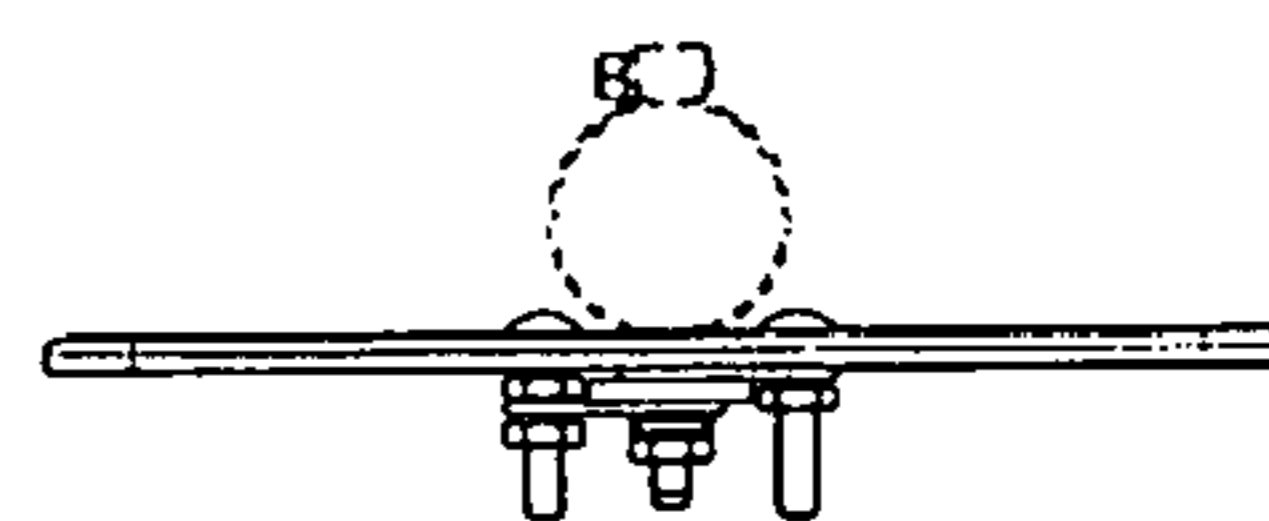


FIG-7