



US00D624056S

(12) **United States Design Patent**
Kolton

(10) **Patent No.:** **US D624,056 S**

(45) **Date of Patent:** **** Sep. 21, 2010**

(54) **EARPHONE**

(76) **Inventor:** **Timothy Val Kolton**, 6464 Sunset Blvd., Suite 500, Hollywood, CA (US) 90028

(**) **Term:** **14 Years**

(21) **Appl. No.:** **29/345,669**

(22) **Filed:** **Oct. 20, 2009**

(51) **LOC (9) Cl.** **14-01**

(52) **U.S. Cl.** **D14/223**

(58) **Field of Classification Search** D14/205, D14/206, 223, 249; 181/129, 130; 379/430, 379/420.02, 420.04; 381/328, 380, 381, 381/375, 374, 370, 371; 455/90.3, 569.1, 455/575.1; D24/174; 128/864, 866, 867
See application file for complete search history.

(56) **References Cited**

U.S. PATENT DOCUMENTS

5,373,555	A *	12/1994	Norris et al.	379/430
6,731,772	B1 *	5/2004	Byun	381/380
D554,627	S *	11/2007	Gondo et al.	D14/223
D564,495	S *	3/2008	Sasaki	D14/205
7,349,550	B2 *	3/2008	Oliveira et al.	381/380
D567,217	S *	4/2008	Kamo et al.	D14/205
D576,154	S *	9/2008	Ledbetter et al.	D14/223
D591,721	S *	5/2009	Densho	D14/205
D593,997	S *	6/2009	Mauritzsson	D14/223
D594,441	S *	6/2009	Lee et al.	D14/205
7,551,748	B2 *	6/2009	Kamo et al.	381/380
D600,675	S *	9/2009	Lee et al.	D14/205
D602,475	S *	10/2009	Martin	D14/223

7,616,772	B2 *	11/2009	Sabick et al.	381/374
D611,934	S *	3/2010	Schaefer	D14/223
D614,168	S *	4/2010	Rogers et al.	D14/206

* cited by examiner

Primary Examiner—Paula Greene

(74) *Attorney, Agent, or Firm*—Edwin Tarver; Lawson & Tarver

(57) **CLAIM**

The ornamental design for an earphone, as shown and described.

DESCRIPTION

Portions of the disclosure of this patent document contain material that is subject to copyright protection. The copyright owner has no objection to the facsimile reproduction by anyone of the patent document or the patent disclosure as it appears in the Patent and Trademark Office file or records, but otherwise reserves all copyright rights whatsoever.

FIG. 1 is a perspective view of an earphone showing my new design, the cord is drawn broken away for purposes of illustration;

FIG. 2 is a left side elevational view thereof;

FIG. 3 is a right side elevational view thereof;

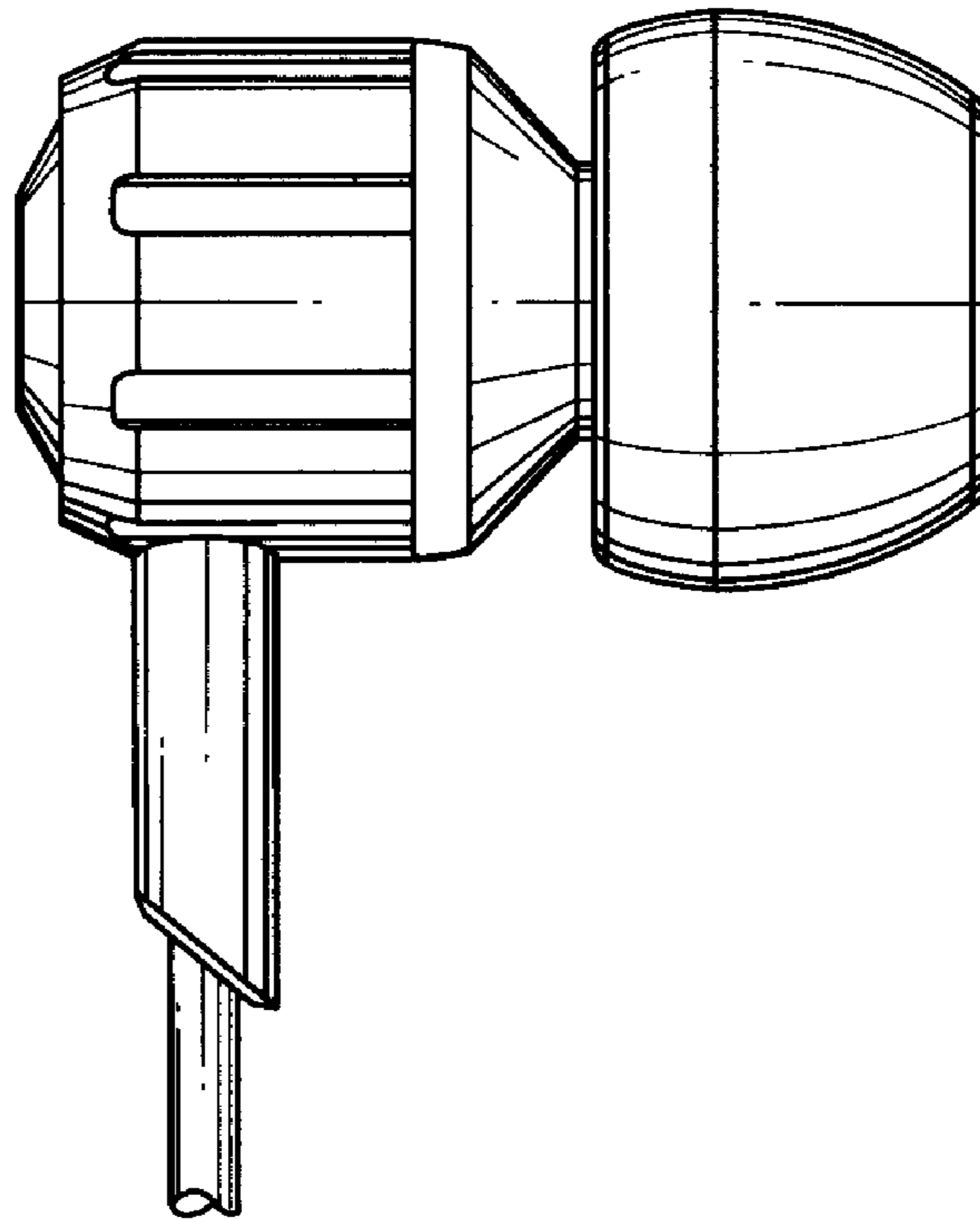
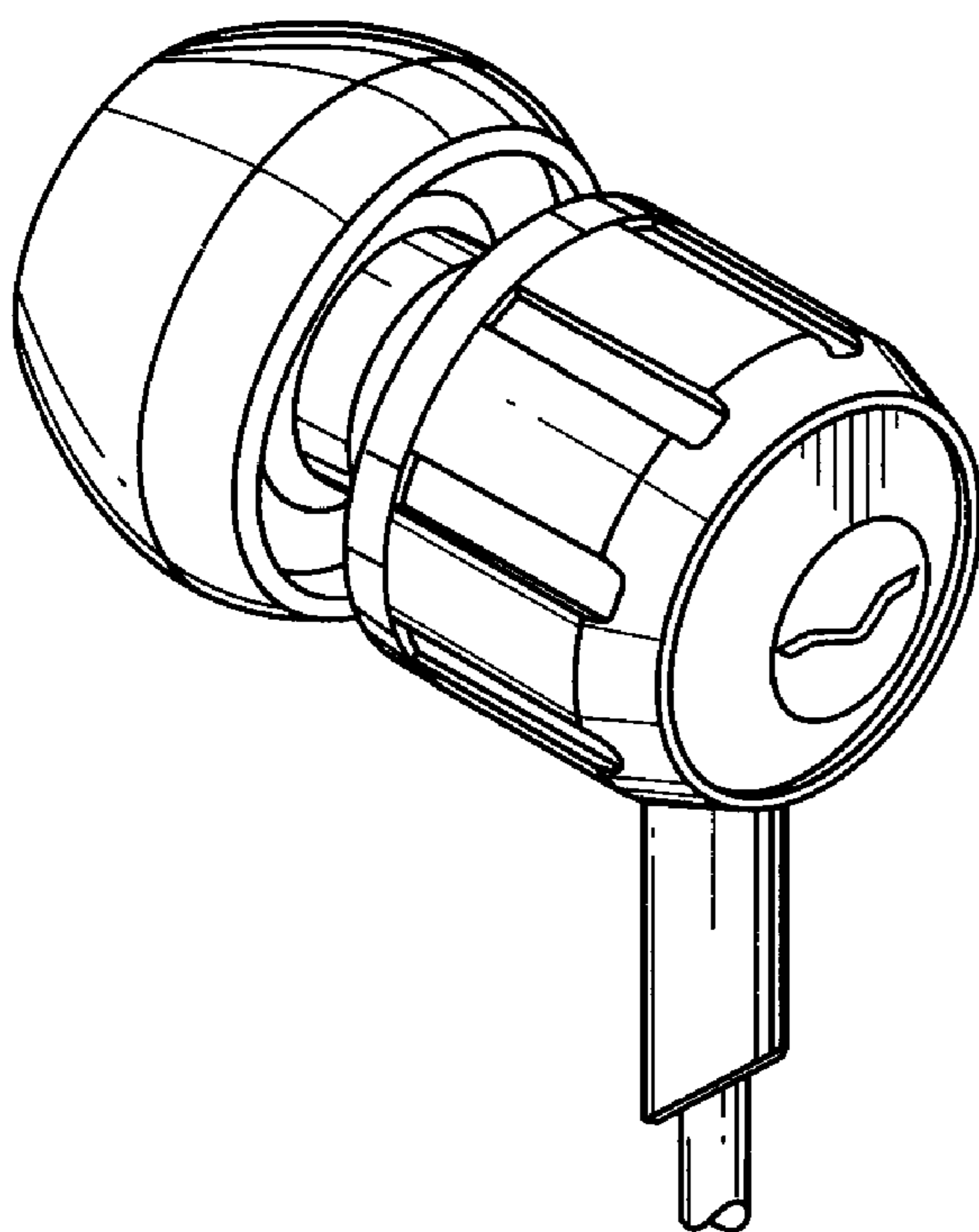
FIG. 4 is a bottom view thereof;

FIG. 5 is a top plan view thereof;

FIG. 6 is a rear elevational view thereof; and,

FIG. 7 is a front elevational view thereof.

1 Claim, 2 Drawing Sheets



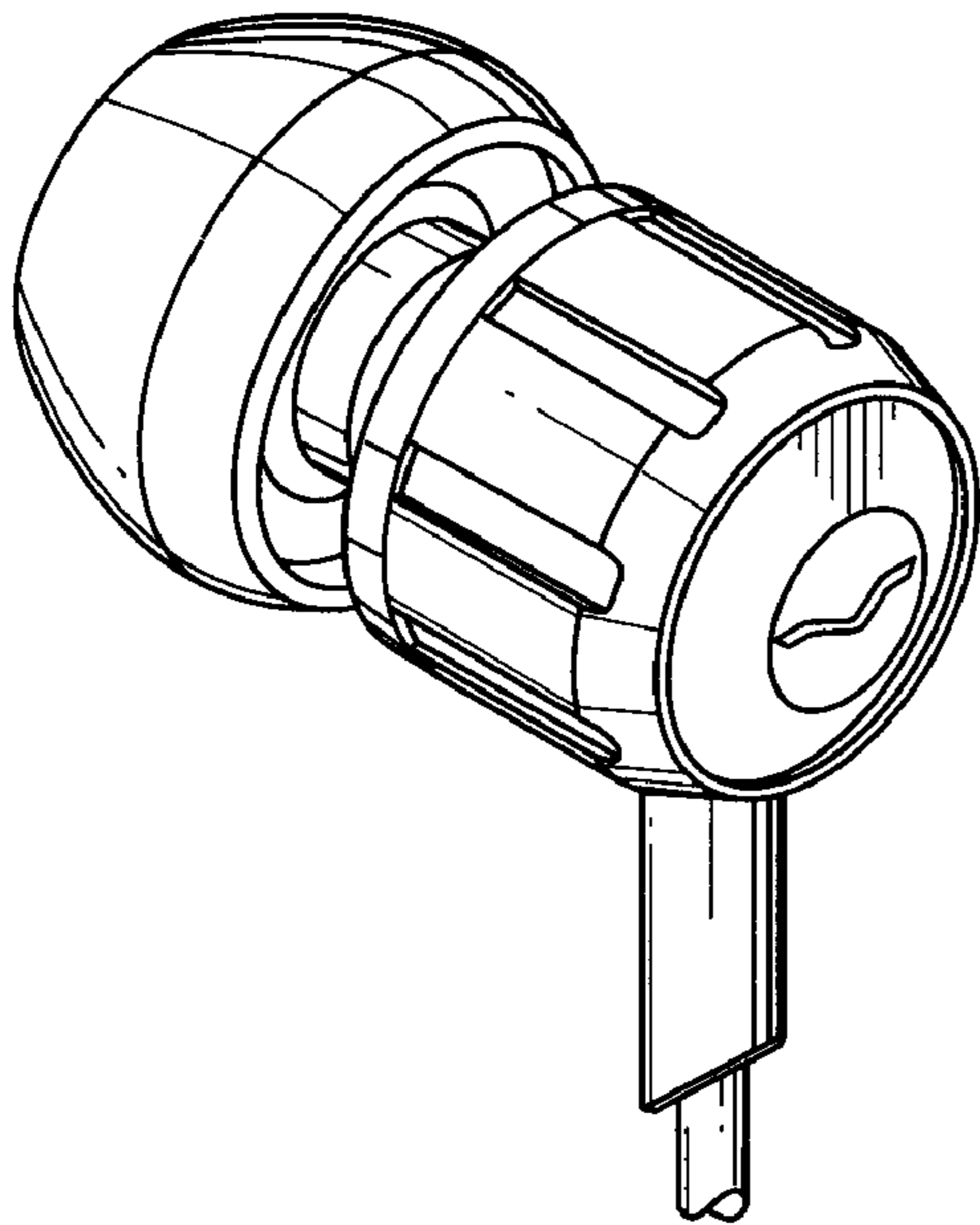


Fig. 1

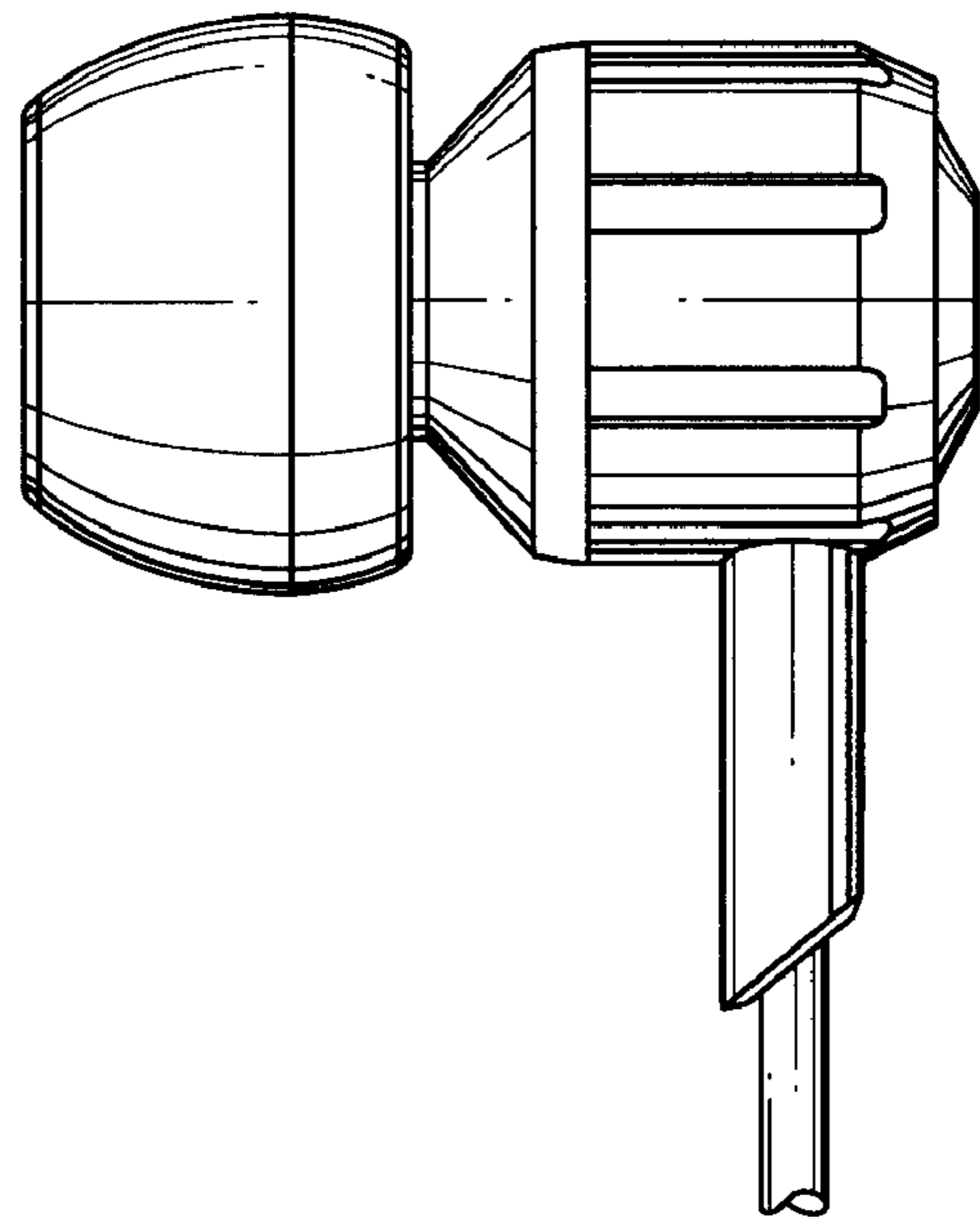


Fig. 2

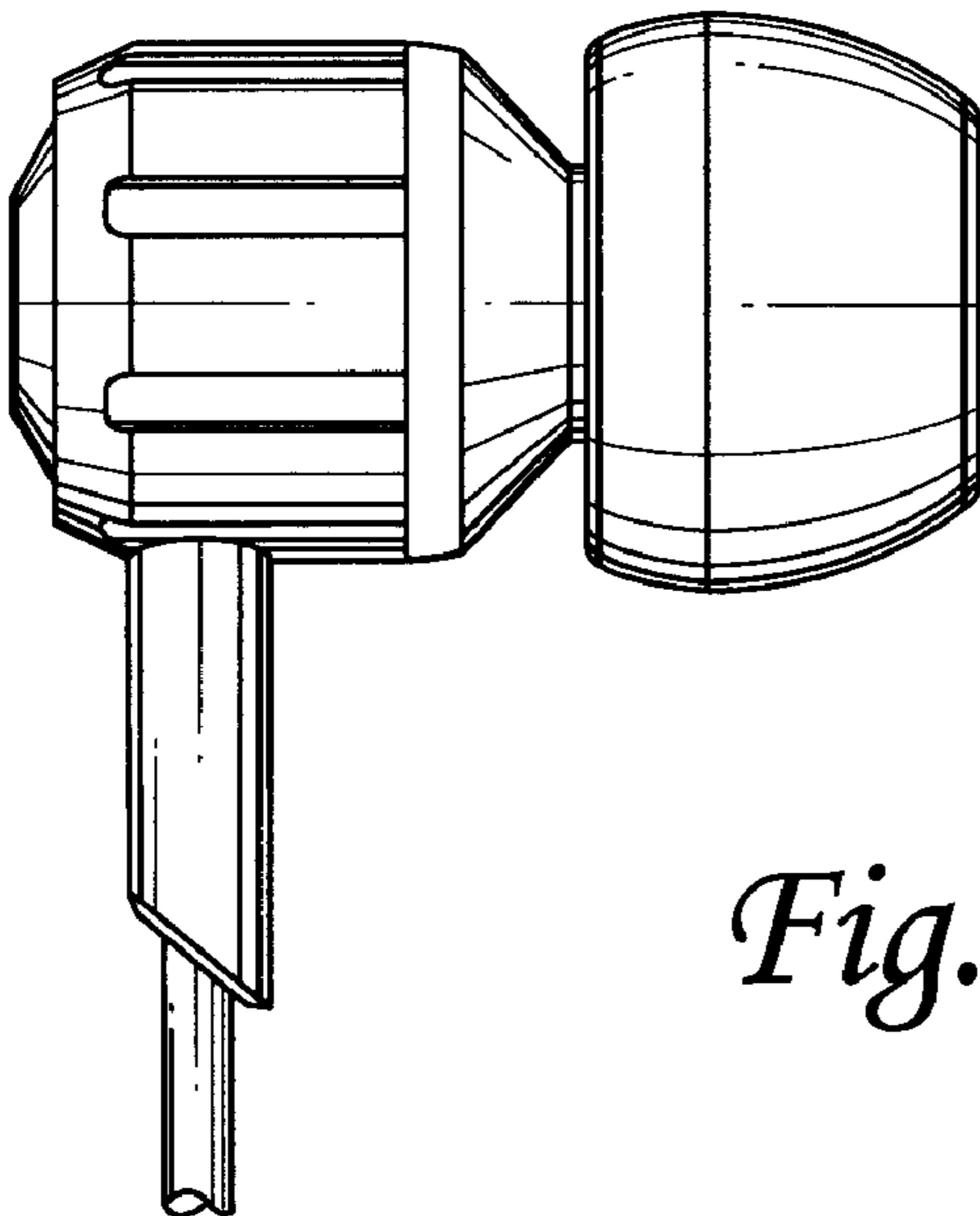


Fig. 3

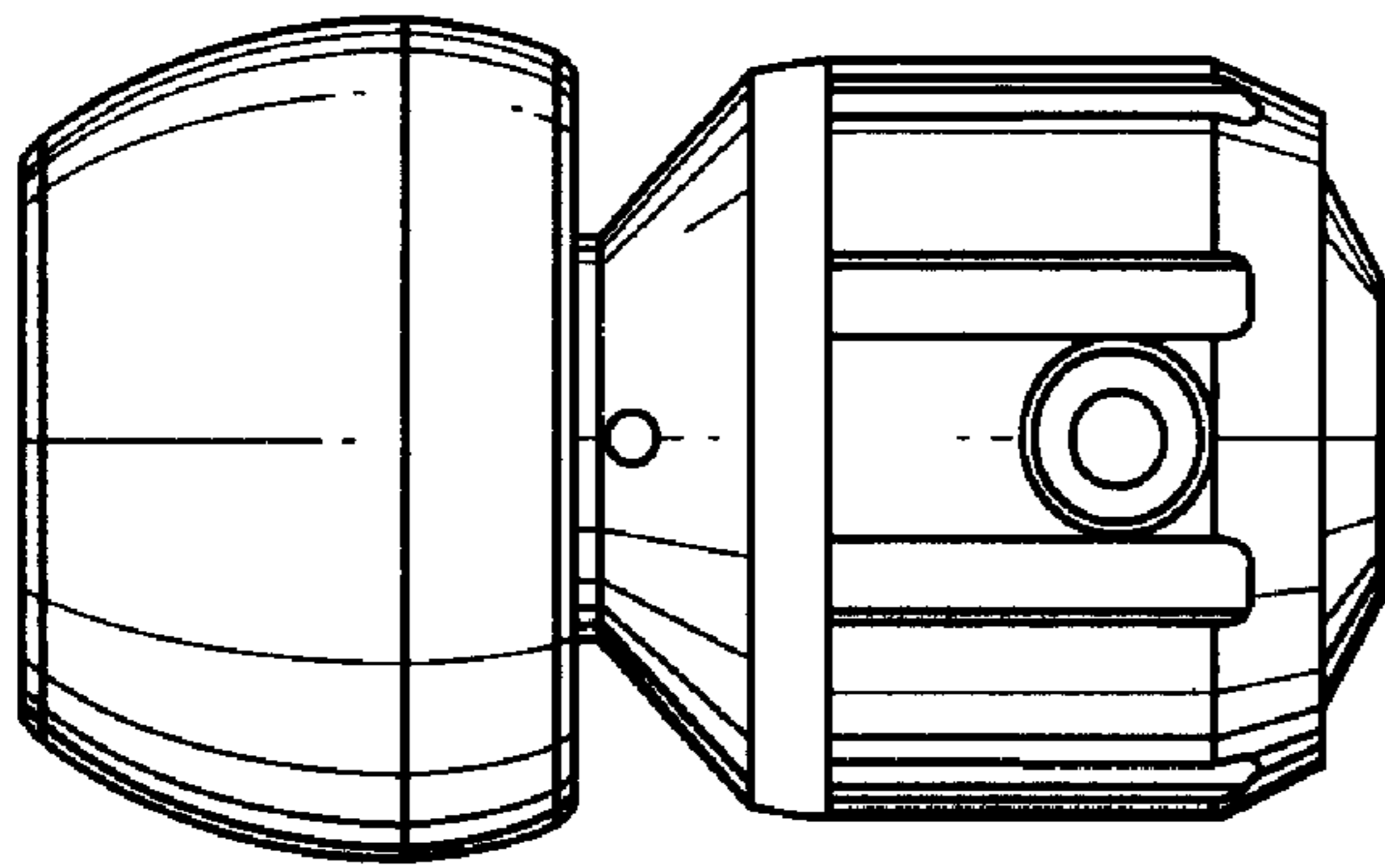


Fig. 4

Fig. 5

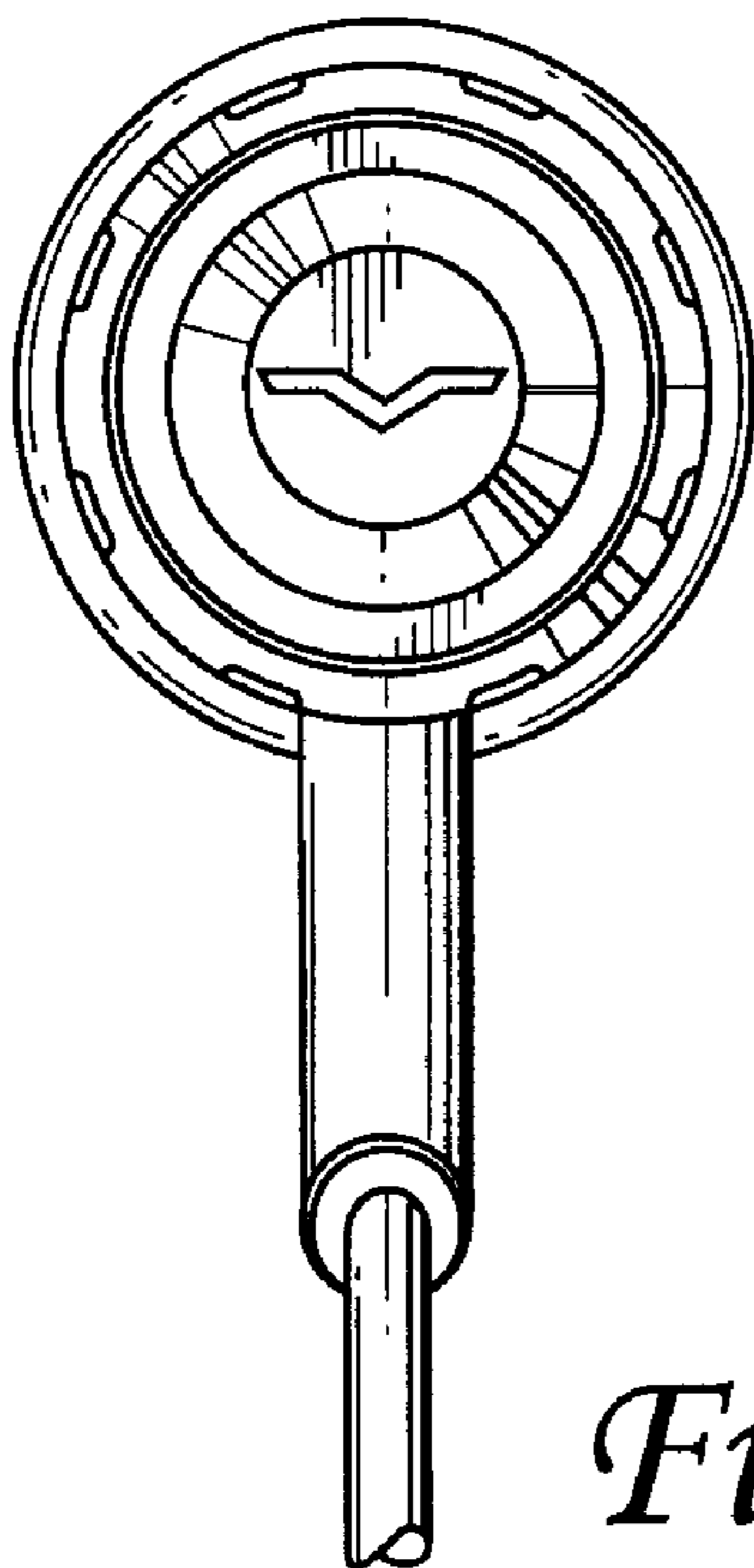
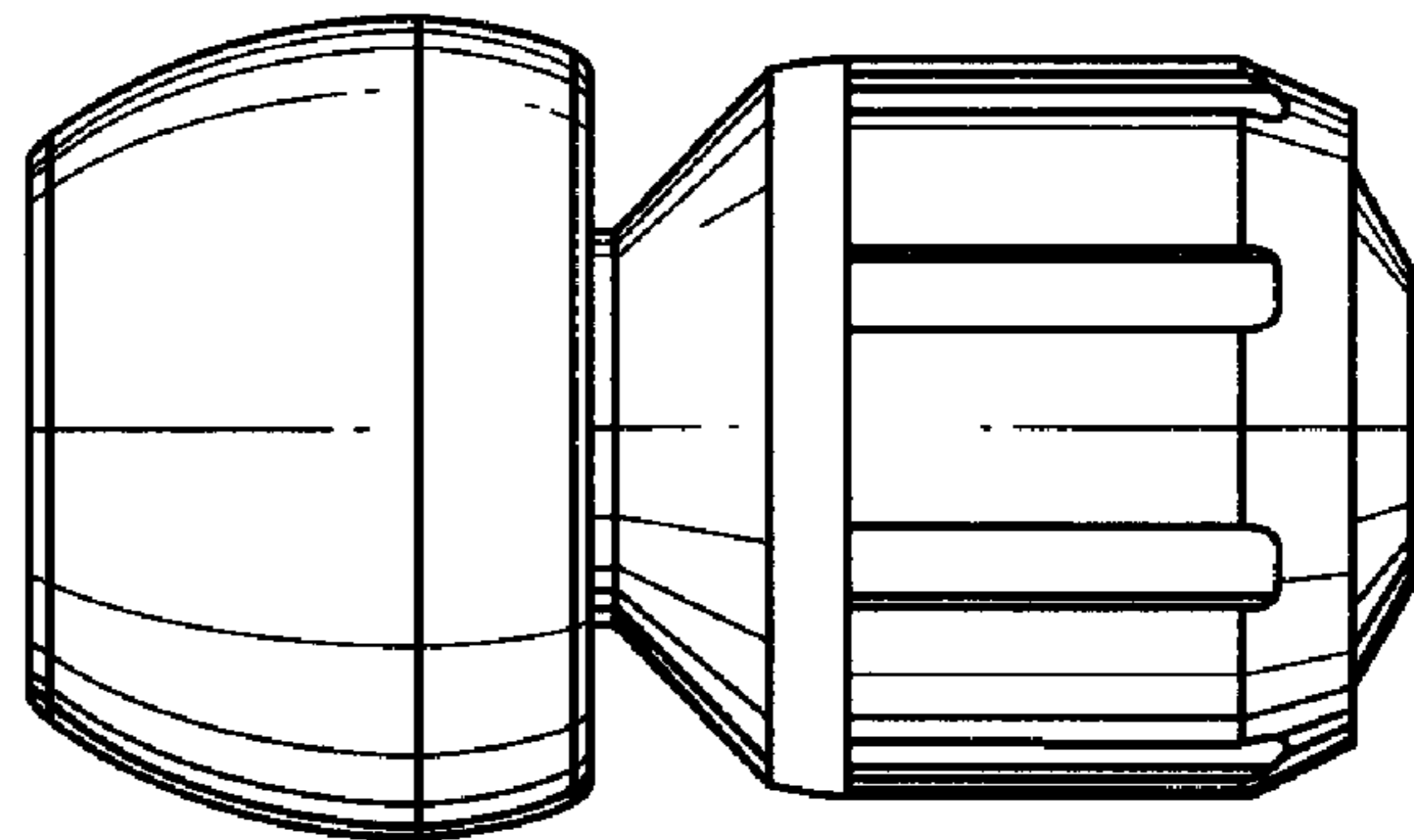


Fig. 6

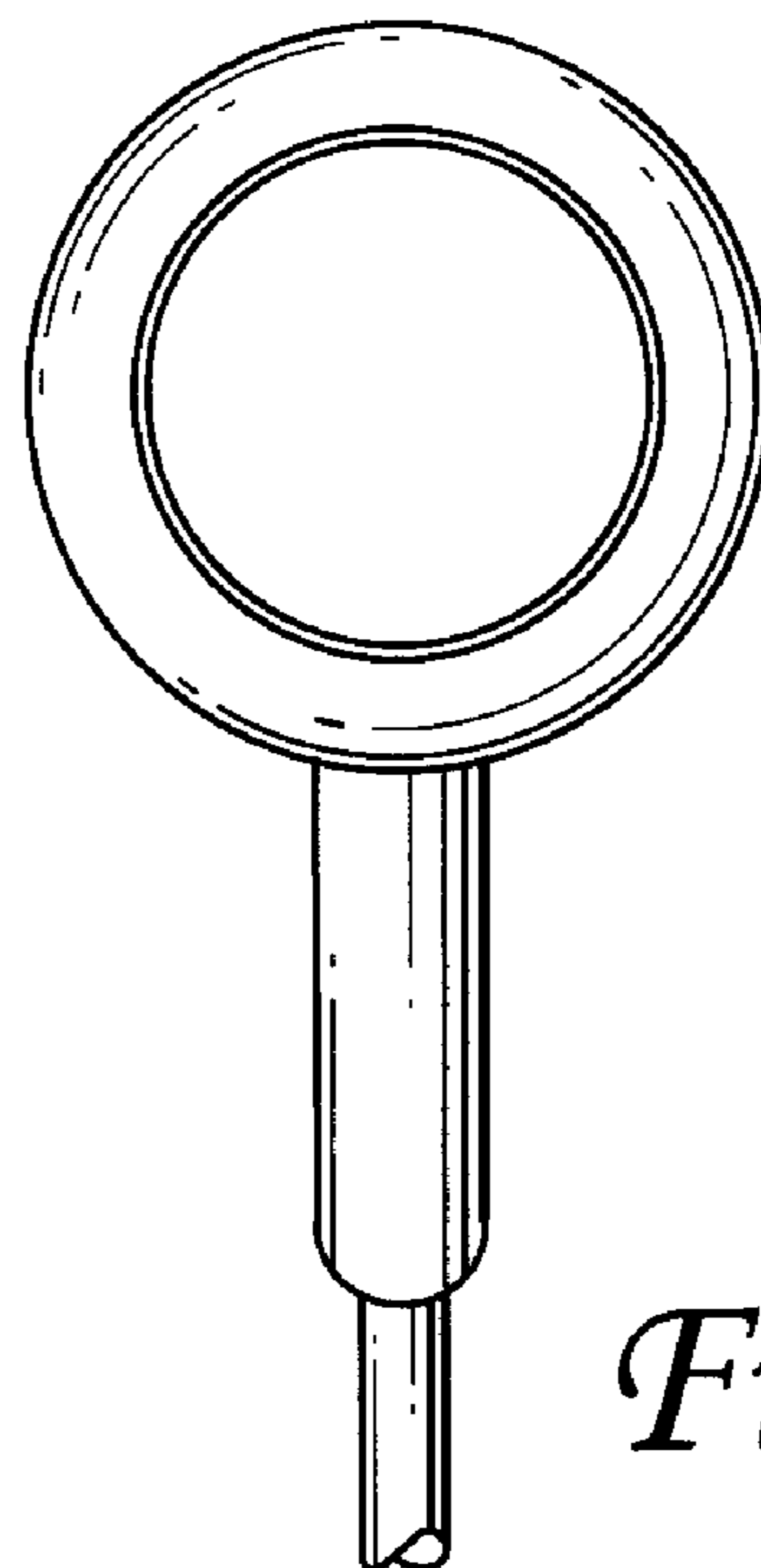


Fig. 7