



US00D624055S

(12) **United States Design Patent**
Lazzeroni et al.

(10) **Patent No.:** **US D624,055 S**
(45) **Date of Patent:** **** Sep. 21, 2010**

(54) **ADAPTOR FOR SPEAKER**

(75) Inventors: **John J. Lazzeroni**, Tucson, AZ (US);
Melinda K. Carevich, Tucson, AZ (US);
Keith E. Overby, Tucson, AZ (US);
James D. Vertz, Tucson, AZ (US)

(73) Assignee: **J&M Corporation**, Tucson, AZ (US)

(**) Term: **14 Years**

(21) Appl. No.: **29/350,985**

(22) Filed: **Nov. 25, 2009**

(51) **LOC (9) Cl.** **14-01**

(52) **U.S. Cl.** **D14/221**

(58) **Field of Classification Search** D14/204,
D14/217, 221-222, 299; 181/143-144, 147-148,
181/150-153, 157, 198-199; 381/300-303,
381/306, 332-333, 336, 345, 361-364, 386-388;
D8/369; D2/946; D32/31; D22/108-110;
24/712-715.7; 55/502, 506; 248/62-64;
277/602; D9/434

See application file for complete search history.

(56) **References Cited**

U.S. PATENT DOCUMENTS

3,273,837 A * 9/1966 Willert et al. 248/62

4,300,738 A * 11/1981 Whinfrey 248/62
4,399,918 A * 8/1983 Clements 24/706.1
D365,024 S * 12/1995 DuBow D9/434
D412,938 S * 8/1999 Kesselring et al. D9/434
6,517,031 B2 * 2/2003 Uchiyama 248/63
6,779,762 B2 * 8/2004 Shibuya 248/62

* cited by examiner

Primary Examiner—Nanda Bondade

(74) *Attorney, Agent, or Firm*—Gavin J. Milczarek-Desai;
Quarles & Brady LLP

(57) **CLAIM**

The ornamental design for a speaker adaptor, as shown and described.

DESCRIPTION

FIG. 1 is a front perspective view of our new speaker adaptor design.

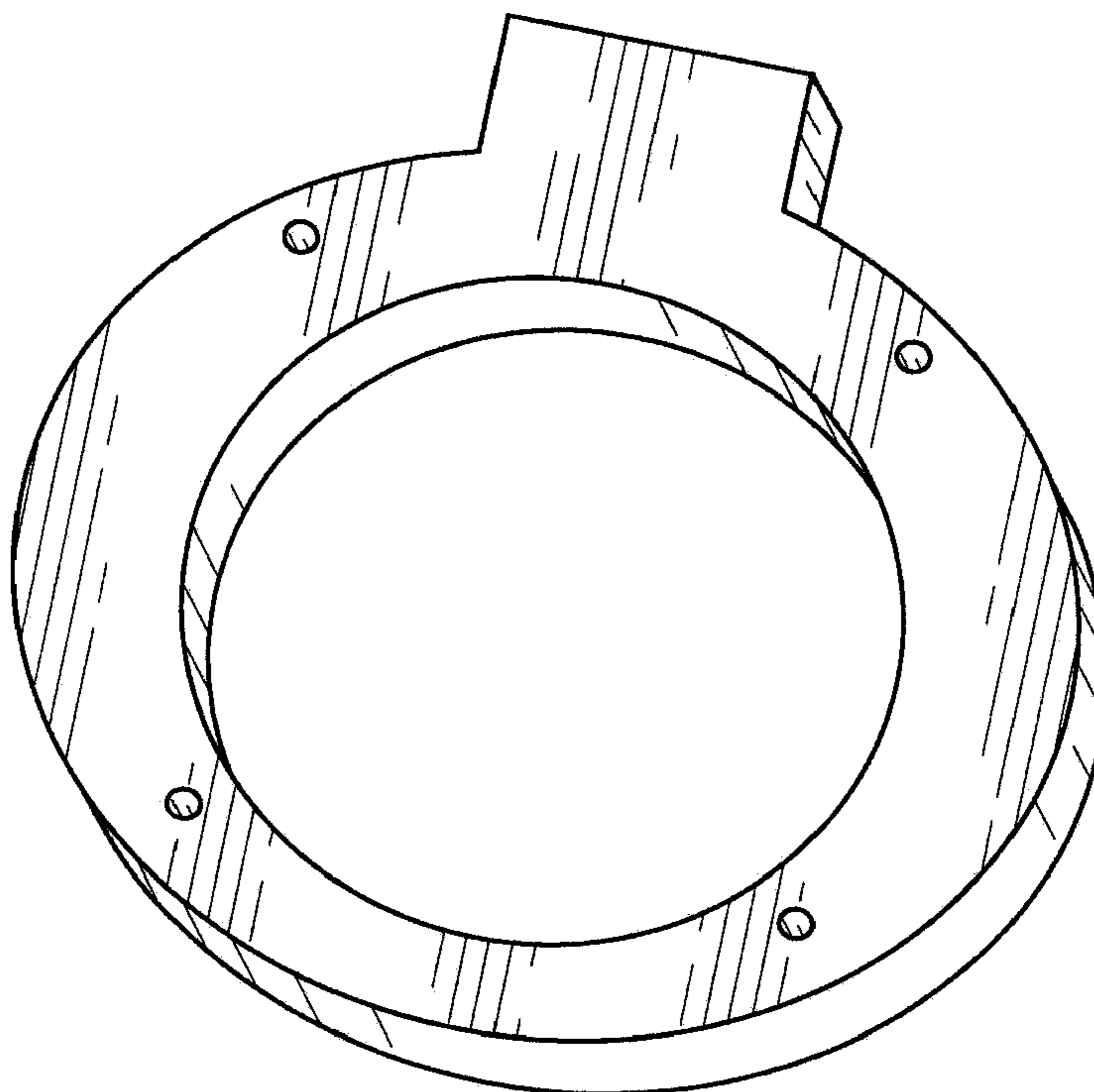
FIG. 2 is a rear view of the embodiment shown in FIG. 1.

FIG. 3 is a right side view of the embodiment shown in FIG. 1, with the left side view being identical.

FIG. 4 is a top view of the embodiment shown in FIG. 1; and,

FIG. 5 is a bottom view of the embodiment shown in FIG. 1.

1 Claim, 2 Drawing Sheets



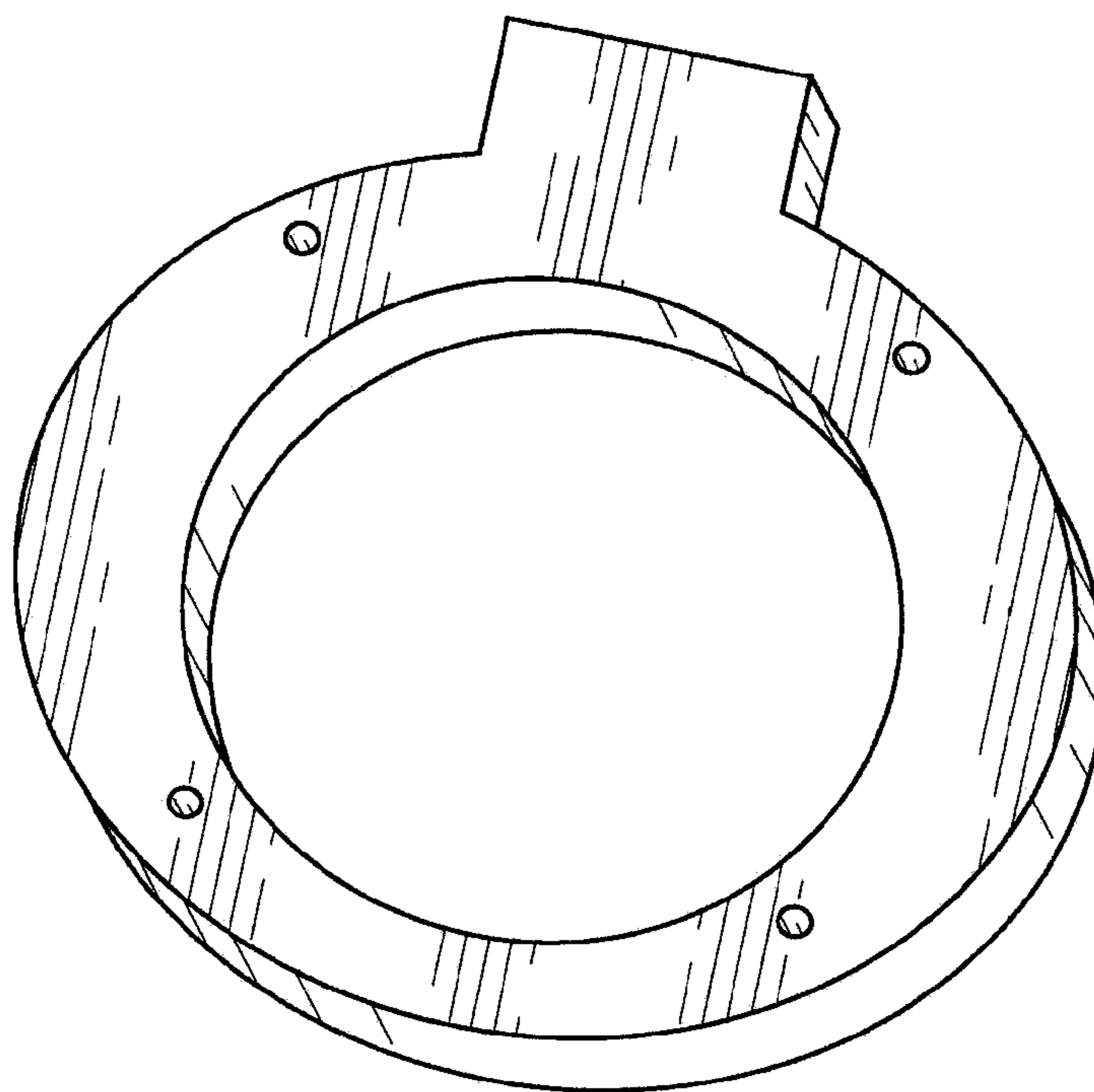


FIG. 1

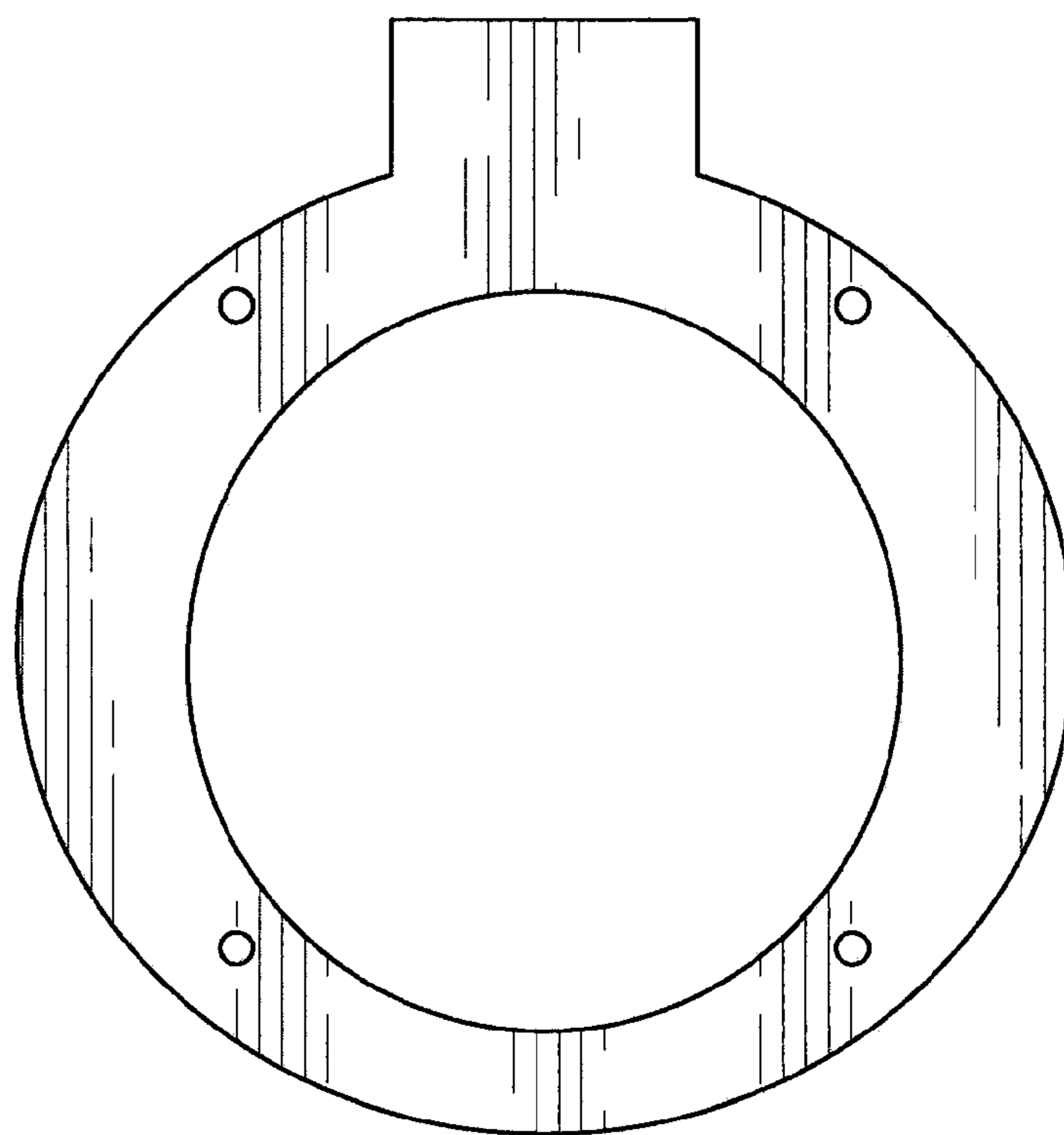


FIG. 2



FIG. 3



FIG. 4



FIG. 5