



US00D624054S

(12) **United States Design Patent**  
**Lazzeroni et al.**

(10) **Patent No.:** **US D624,054 S**

(45) **Date of Patent:** **\*\* Sep. 21, 2010**

(54) **SPEAKER ADAPTOR**

(75) Inventors: **John J. Lazzeroni**, Tucson, AZ (US);  
**Melinda K. Carevich**, Tucson, AZ (US);  
**Keith E. Overby**, Tucson, AZ (US);  
**James D. Vertz**, Tucson, AZ (US)

(73) Assignee: **J&M Corporation**, Tucson, AZ (US)

(\*\*) Term: **14 Years**

(21) Appl. No.: **29/350,983**

(22) Filed: **Nov. 25, 2009**

(51) **LOC (9) Cl.** ..... **14-01**

(52) **U.S. Cl.** ..... **D14/221**

(58) **Field of Classification Search** ..... D14/204,  
D14/217, 221-222, 299; 181/143-144, 147-148,  
181/150-153, 157, 198-199; 381/300-303,  
381/306, 332-333, 336, 345, 361-364, 386-388;  
D8/369; D2/946; D32/31; D22/108-110;  
24/712-715.7; 55/502, 506; 248/62-64;  
277/602; D9/434

See application file for complete search history.

(56) **References Cited**

U.S. PATENT DOCUMENTS

3,273,837 A \* 9/1966 Willert et al. .... 248/62

4,300,738 A \* 11/1981 Whinfrey ..... 248/62

4,399,918 A \* 8/1983 Clements ..... 24/706.1

D365,024 S \* 12/1995 DuBow ..... D9/434

6,517,031 B2 \* 2/2003 Uchiyama ..... 248/63

6,779,762 B2 \* 8/2004 Shibuya ..... 248/62

\* cited by examiner

*Primary Examiner*—Nanda Bondade

(74) *Attorney, Agent, or Firm*—Gavin J. Milczarek-Desai;  
Quarles & Brady LLP

(57) **CLAIM**

The ornamental design for a speaker adaptor, as shown and described.

**DESCRIPTION**

FIG. 1 is a front perspective view of our new speaker adaptor design.

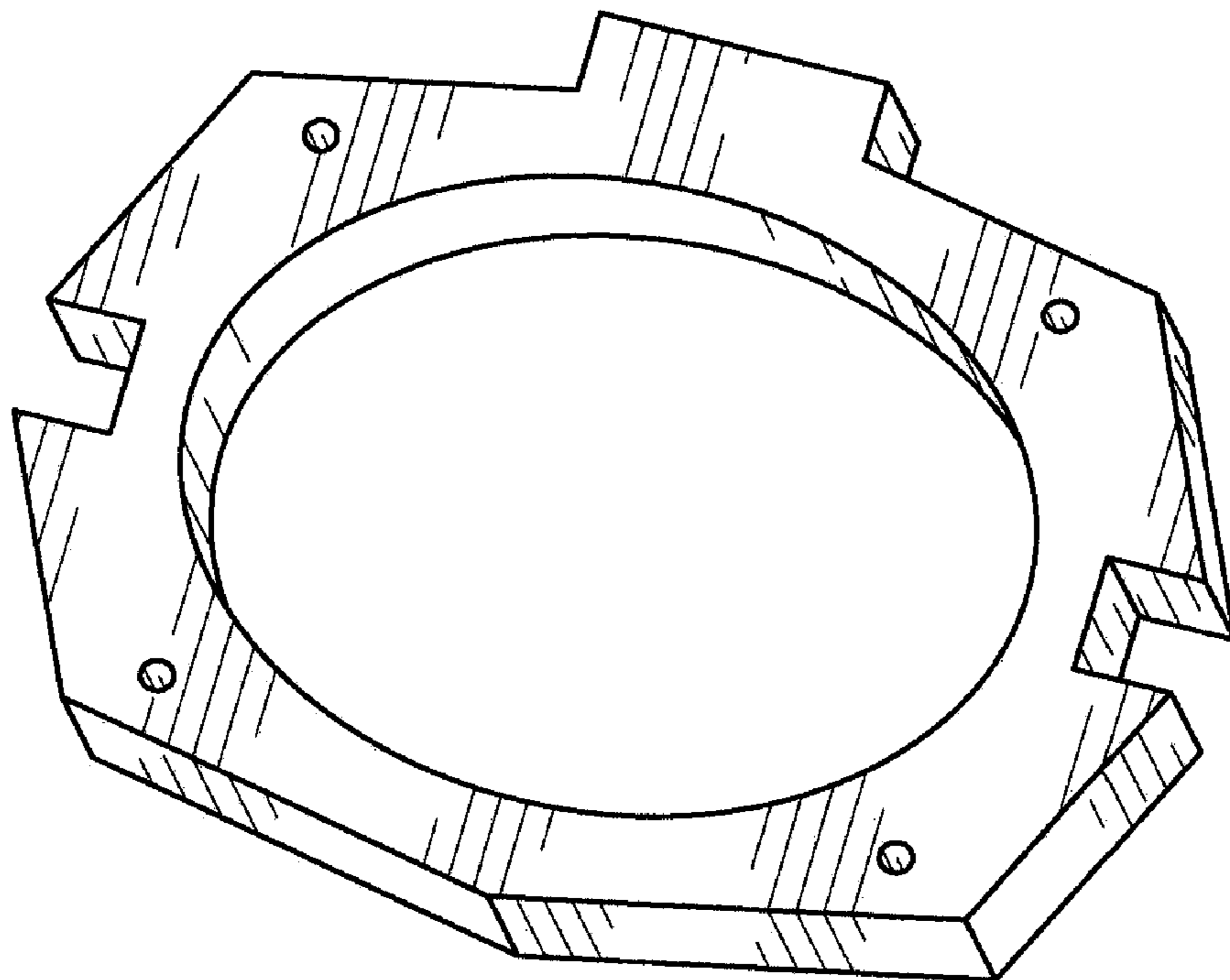
FIG. 2 is a rear view of the embodiment shown in FIG. 1.

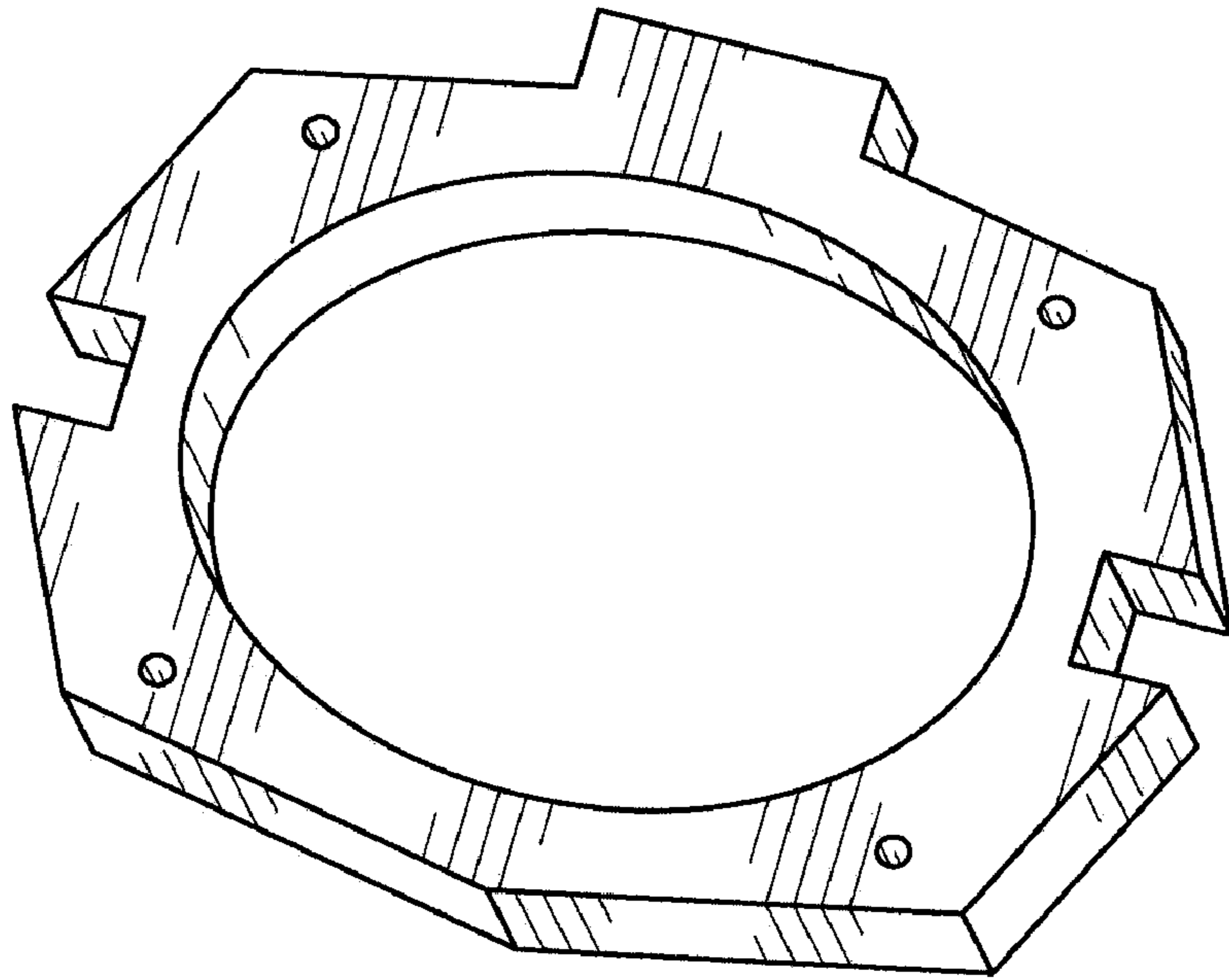
FIG. 3 is a right side view of the embodiment shown in FIG. 1, with the left side view being identical.

FIG. 4 is a top view of the embodiment shown in FIG. 1; and,

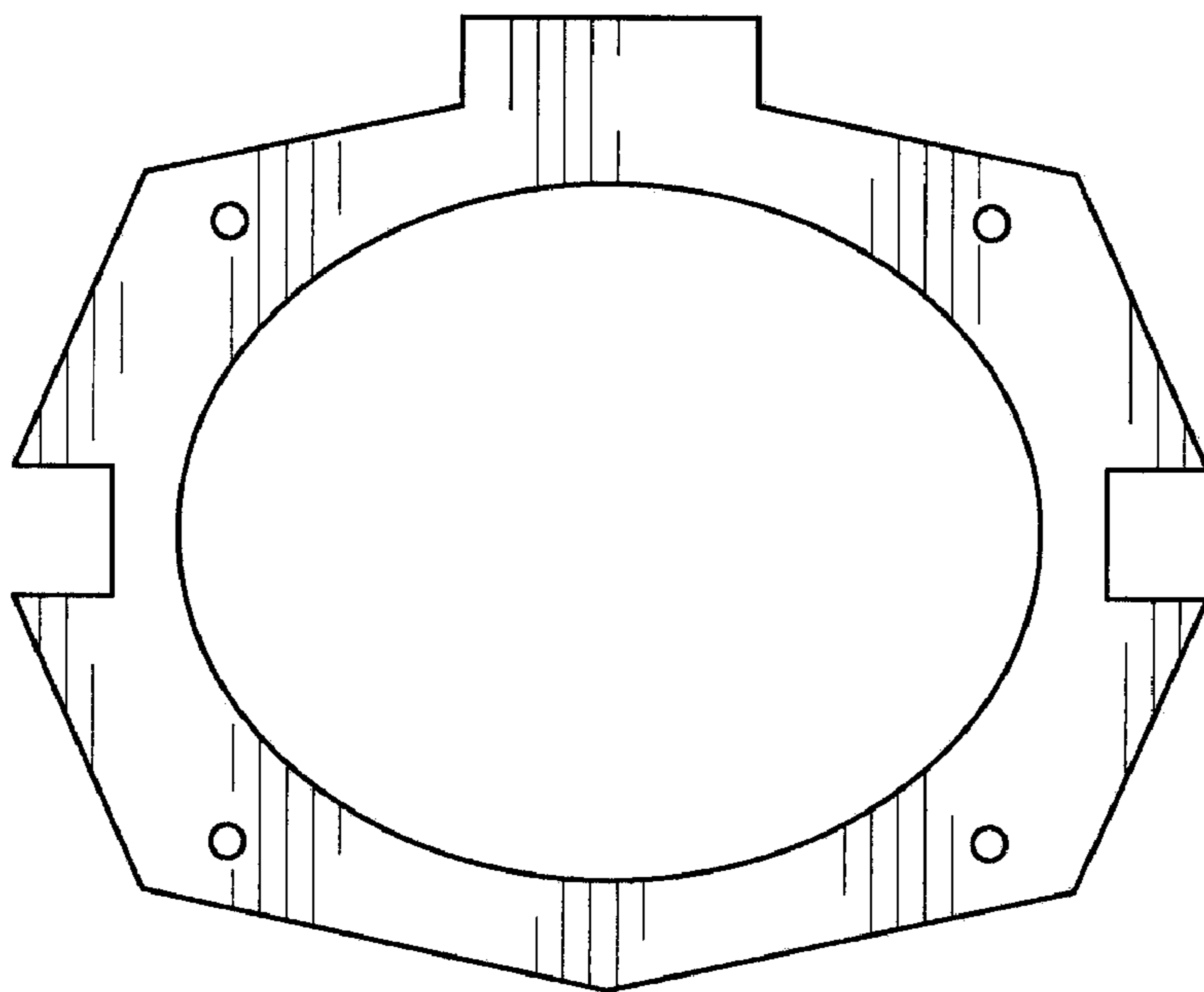
FIG. 5 is a bottom view of the embodiment shown in FIG. 1.

**1 Claim, 2 Drawing Sheets**





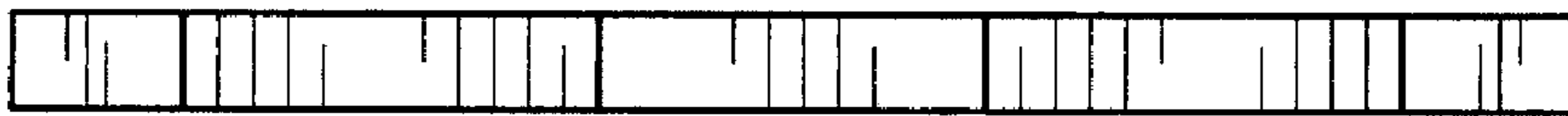
**FIG. 1**



**FIG. 2**



**FIG. 3**



**FIG. 4**



**FIG. 5**