



US00D624053S

(12) **United States Design Patent**
Williamson et al.

(10) **Patent No.:** **US D624,053 S**

(45) **Date of Patent:** **** Sep. 21, 2010**

(54) **DISC JOCKEY MUSIC CONTROLLER**

(75) Inventors: **Paul C. Williamson**, Providence, RI (US); **Jonathan Hayes**, Boston, MA (US)

(73) Assignee: **Numark Industries, L.P.**, Fort Lauderdale, FL (US)

(**) Term: **14 Years**

(21) Appl. No.: **29/352,044**

(22) Filed: **Dec. 15, 2009**

(51) **LOC (9) Cl.** **14-02**

(52) **U.S. Cl.** **D14/217; D14/203**

(58) **Field of Classification Search** D14/162, D14/167-169, 175, 188, 196-203, 217, 218, D14/356, 388, 399-401, 412-416, 432, 434, D14/454-457, 496; D21/324, 332, 333; 463/1, 30, 36-38, 46-47; 345/156-161, 345/905; D13/163, 164; 84/625, 660, 697; 381/118, 120, 334; 455/350

See application file for complete search history.

(56) **References Cited**

U.S. PATENT DOCUMENTS

D250,333 S	*	11/1978	Meunier	D14/203
D258,652 S	*	3/1981	Guillon	D14/261
D454,552 S	*	3/2002	Nakane	D14/168
D491,915 S	*	6/2004	Warden	D14/203
D518,814 S	*	4/2006	Shim et al.	D14/168
D519,102 S	*	4/2006	Liu	D14/203
D553,118 S	*	10/2007	Williamson et al.	D14/168

D578,514 S	*	10/2008	Mazur	D14/217
D602,914 S	*	10/2009	Williamson et al.	D14/217
D605,604 S	*	12/2009	El-Kiss	D13/163
D615,595 S	*	5/2010	Williamson et al.	D21/328
D615,993 S	*	5/2010	Ho	D14/496
2007/0280489 A1	*	12/2007	Roman et al.	381/119
2008/0046098 A1	*	2/2008	Corbin et al.	700/1

* cited by examiner

Primary Examiner—Stella M Reid

Assistant Examiner—Keli L Hill

(74) *Attorney, Agent, or Firm*—Barlow, Josephs & Holmes, Ltd.

(57) **CLAIM**

The ornamental design for a disc jockey music controller, as shown and described.

DESCRIPTION

FIG. 1 is a perspective view of a disc jockey music controller, showing our new design;

FIG. 2 is a top view thereof;

FIG. 3 is a bottom view thereof;

FIG. 4 is a rear elevational view thereof;

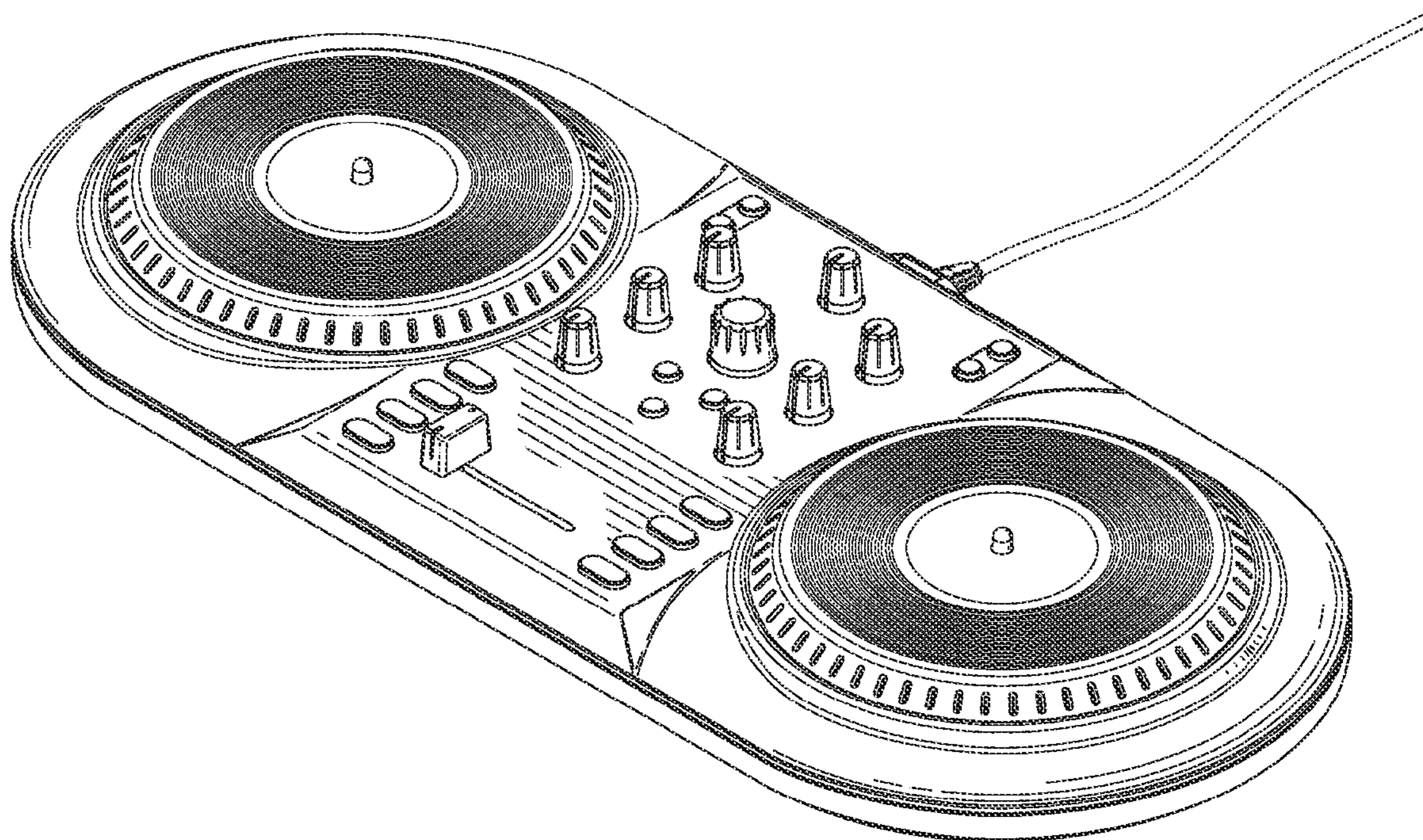
FIG. 5 is a front elevational view thereof;

FIG. 6 is a right side elevational view thereof; and,

FIG. 7 is a left side elevational view thereof.

The cord, feet and access hatch depicted in broken line in the various figures are included for environmental purposes only, and form no part of the claimed design.

1 Claim, 5 Drawing Sheets



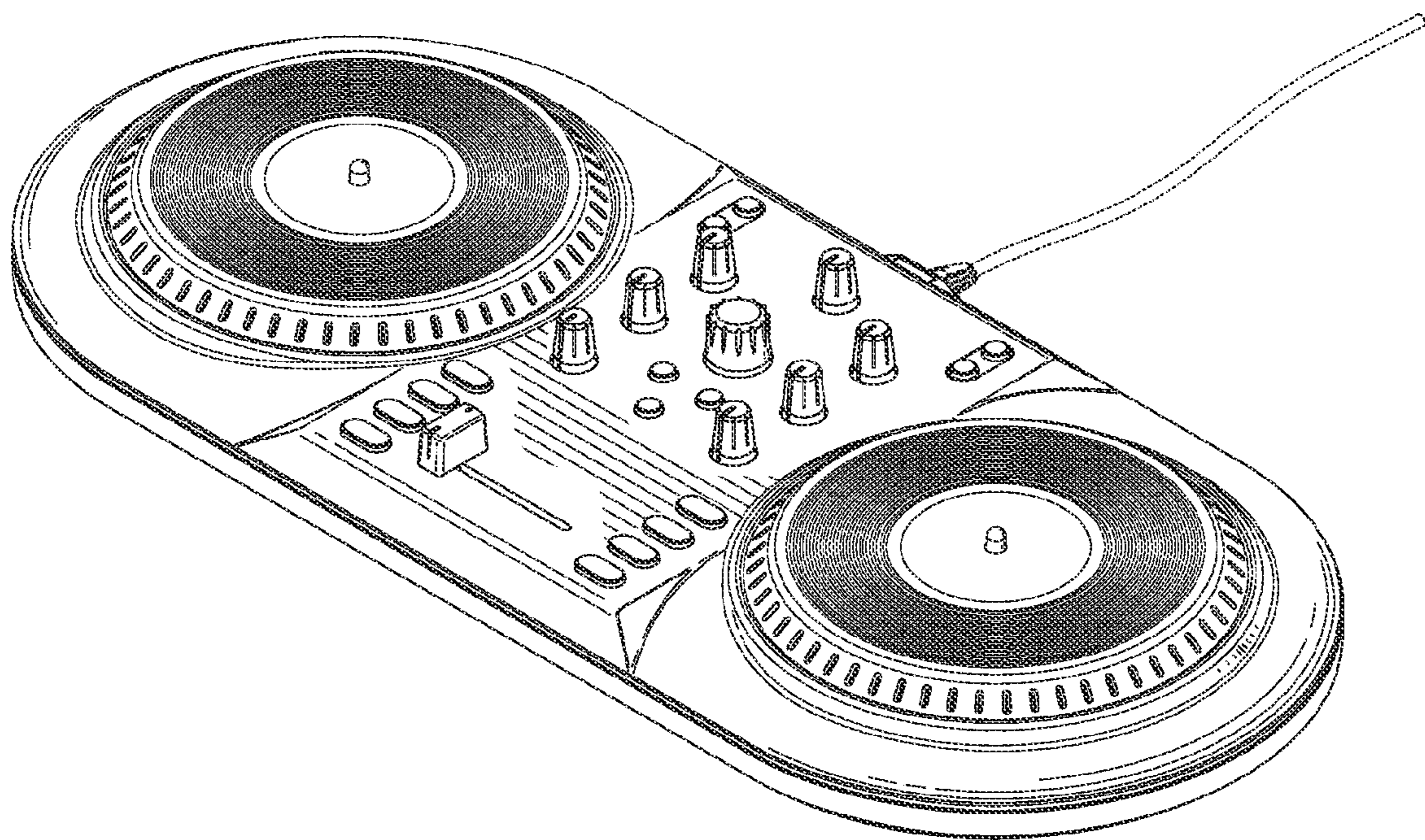


FIG. 1



FIG. 2

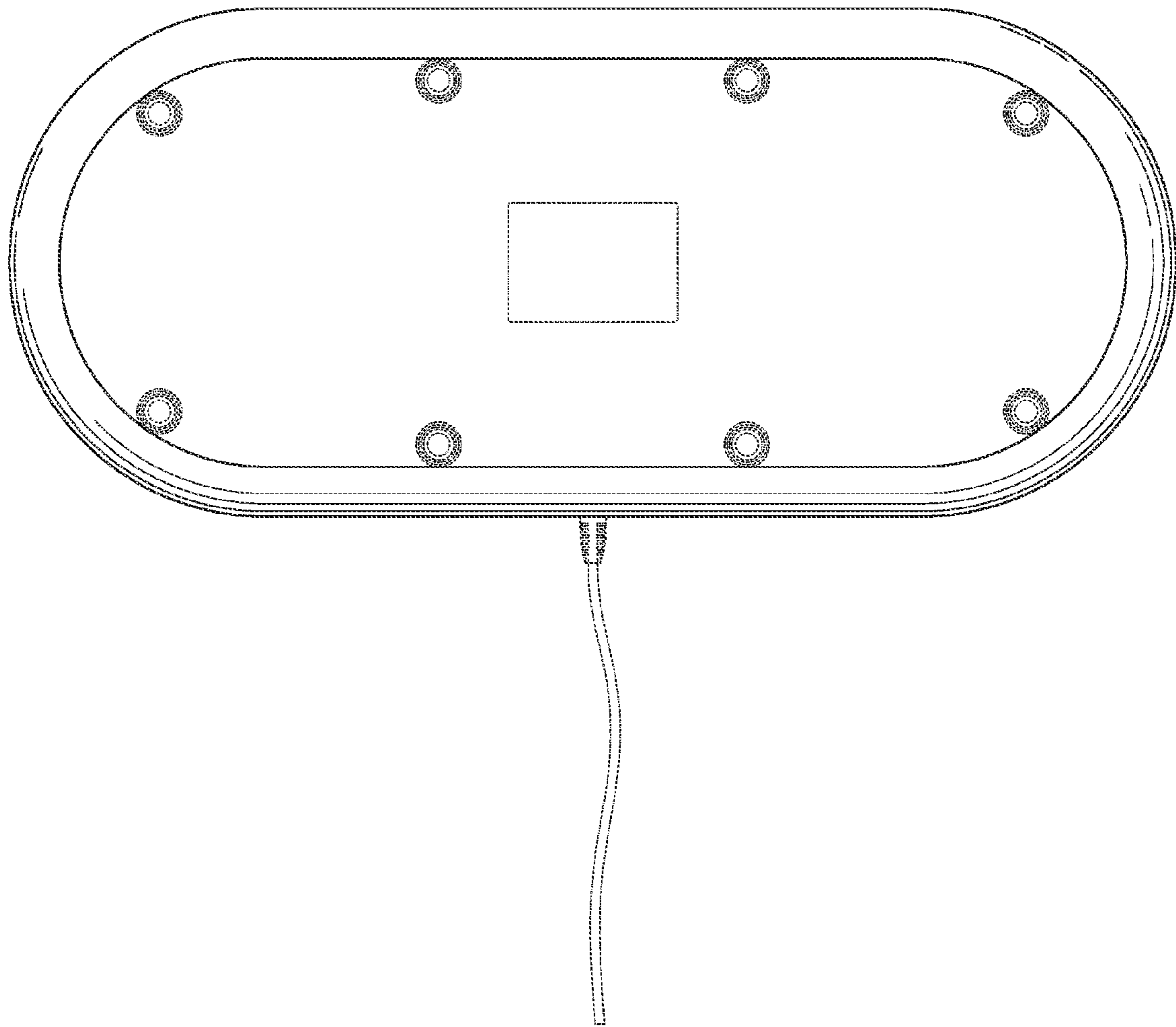


FIG. 3

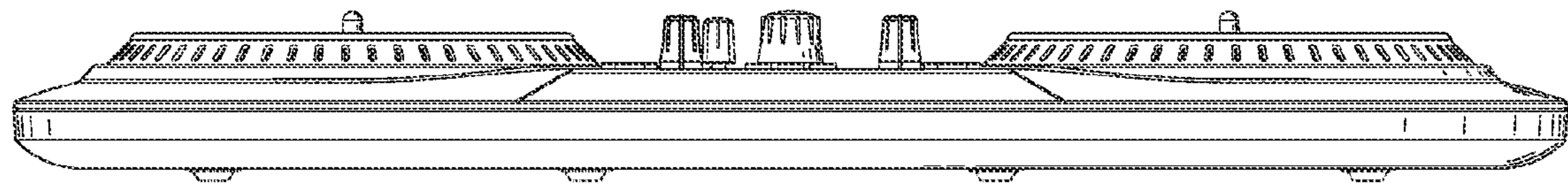


FIG. 4

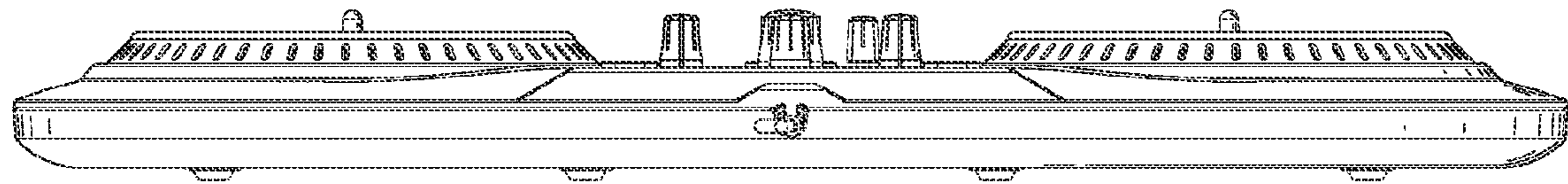


FIG. 5

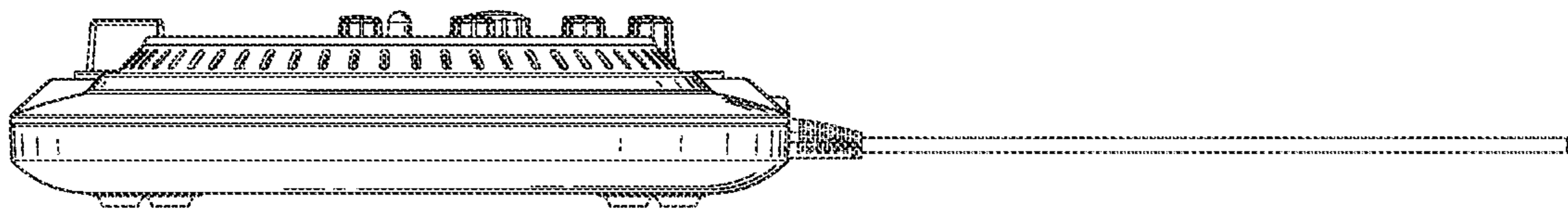


FIG. 6

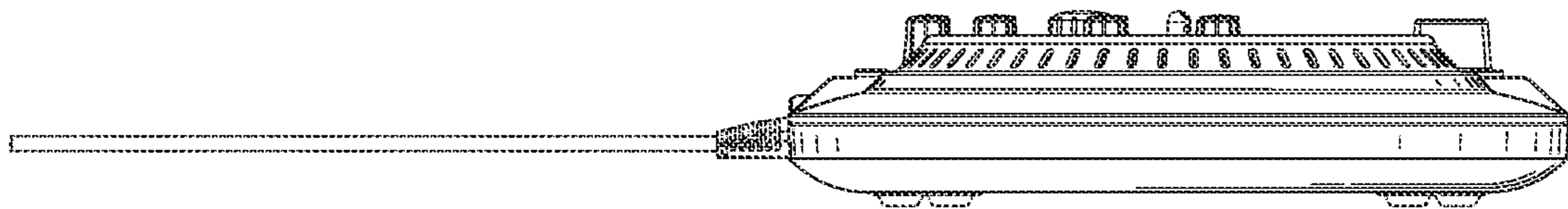


FIG. 7