



US00D624049S

(12) **United States Design Patent**  
**Liu**

(10) **Patent No.:** **US D624,049 S**

(45) **Date of Patent:** **\*\* Sep. 21, 2010**

(54) **MOTION DETECTOR FOR GAMING CONTROLLER**

(75) Inventor: **Chia-Chang Liu, Tu-Cheng (TW)**

(73) Assignee: **Cheng Uei Precision Industry Co., Ltd., Taipei Hsien (TW)**

(\*\*) Term: **14 Years**

(21) Appl. No.: **29/274,973**

(22) Filed: **Jun. 14, 2007**

(51) **LOC (9) Cl.** ..... **14-02**

(52) **U.S. Cl.** ..... **D14/217; D14/400; D21/333**

(58) **Field of Classification Search** ..... D14/156, D14/162, 167-169, 175, 188, 196-198, 217, D14/218, 257, 258, 356, 388, 399-401, 412-416, D14/432, 434, 454-457, 496; D13/163, D13/164; 84/625, 660, 697; 455/350; D17/99, D17/24; D21/324, 332, 333; D10/104, 106, D10/109, 111; 463/1, 30, 36-38, 46, 47; 345/156-161, 905

See application file for complete search history.

(56) **References Cited**

**U.S. PATENT DOCUMENTS**

D347,831 S *	6/1994	Lam	.....	D14/454
D376,117 S *	12/1996	Kovens	.....	D10/106
D440,217 S *	4/2001	Hasselmann et al.	.....	D14/155
D445,705 S *	7/2001	Kliegman et al.	.....	D10/104
D497,154 S *	10/2004	Lin et al.	.....	D14/204

D507,273 S *	7/2005	Ibuki	.....	D14/433
D534,896 S *	1/2007	Lin	.....	D14/188
D569,848 S *	5/2008	Suzuki	.....	D14/217
2009/0048021 A1 *	2/2009	Lian et al.	.....	463/37

\* cited by examiner

*Primary Examiner*—Stella M Reid

*Assistant Examiner*—Keli L Hill

(74) *Attorney, Agent, or Firm*—Rosenberg, Klein & Lee

(57) **CLAIM**

The ornamental design for a motion detector for gaming controller, as shown and described.

**DESCRIPTION**

FIG. 1 is a perspective view of a motion detector for gaming controller showing my new design;

FIG. 2 is a front elevational view thereof;

FIG. 3 is a rear elevational view thereof;

FIG. 4 is a left side elevational view thereof;

FIG. 5 is a right side elevational view thereof;

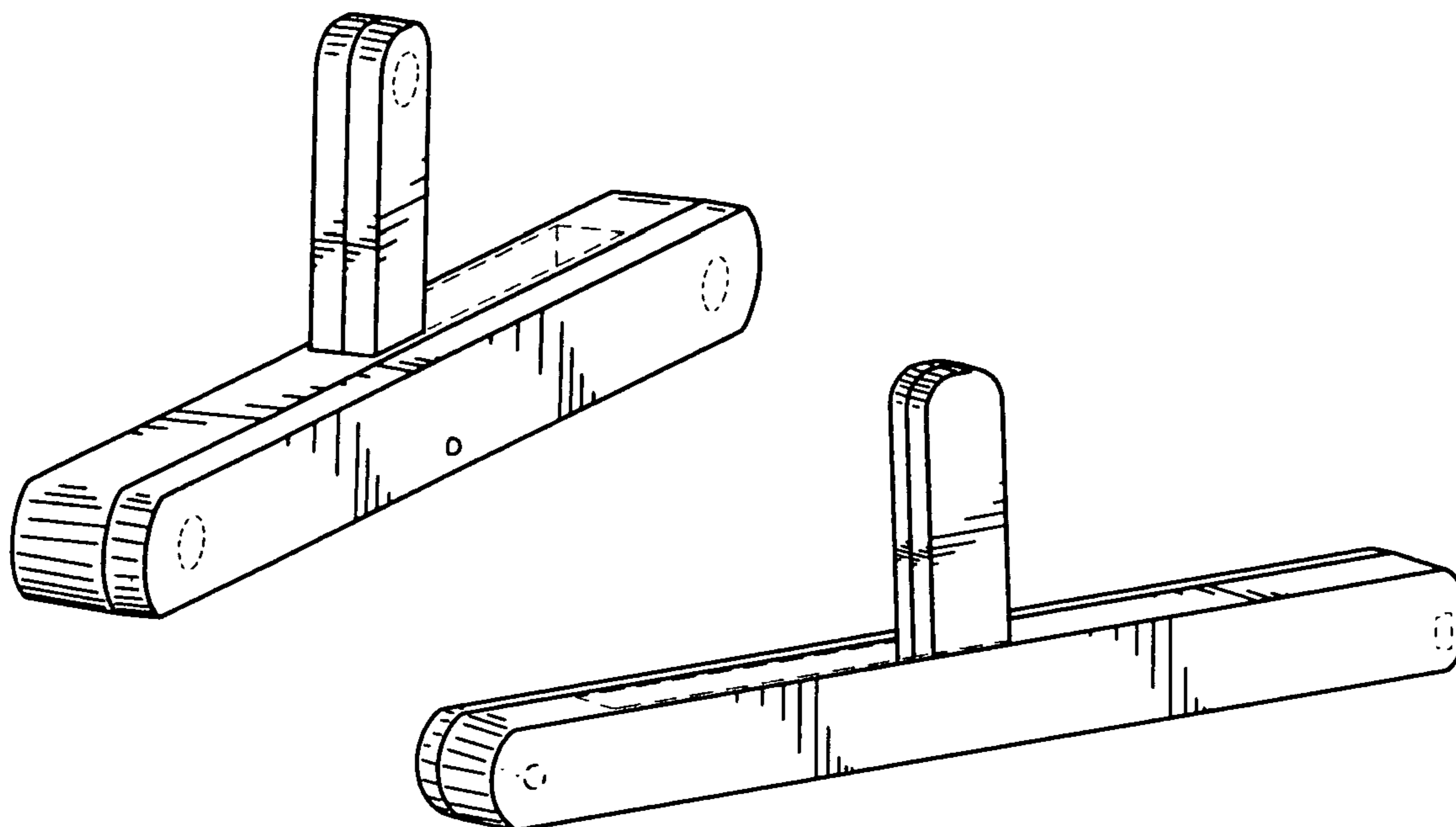
FIG. 6 is a top plan view thereof;

FIG. 7 is a bottom plan view thereof; and,

FIG. 8 is another perspective view thereof.

The broken line portion of the figure drawings is included to show unclaimed subject matter only and forms no part of the claimed design.

**1 Claim, 8 Drawing Sheets**



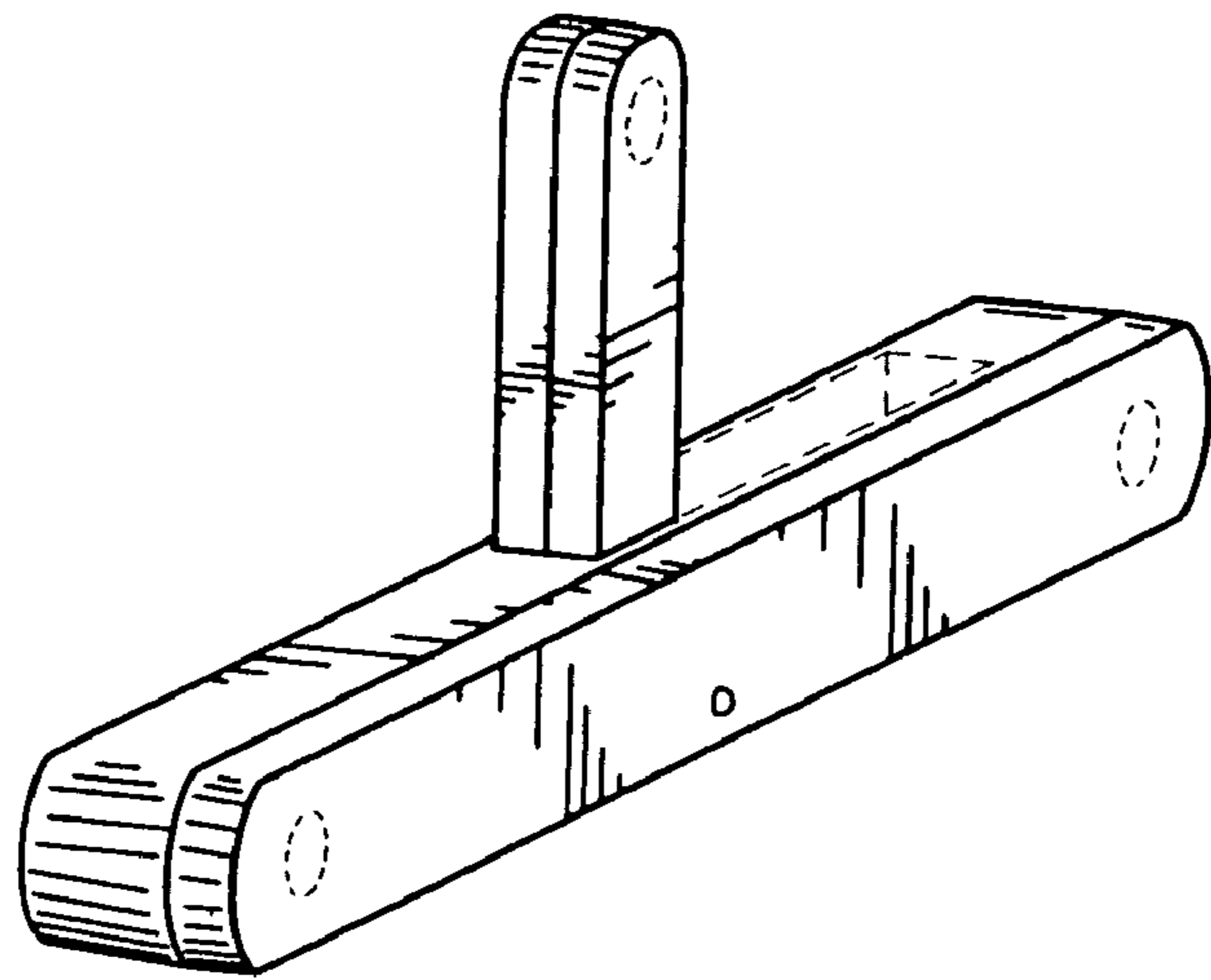


FIG. 1

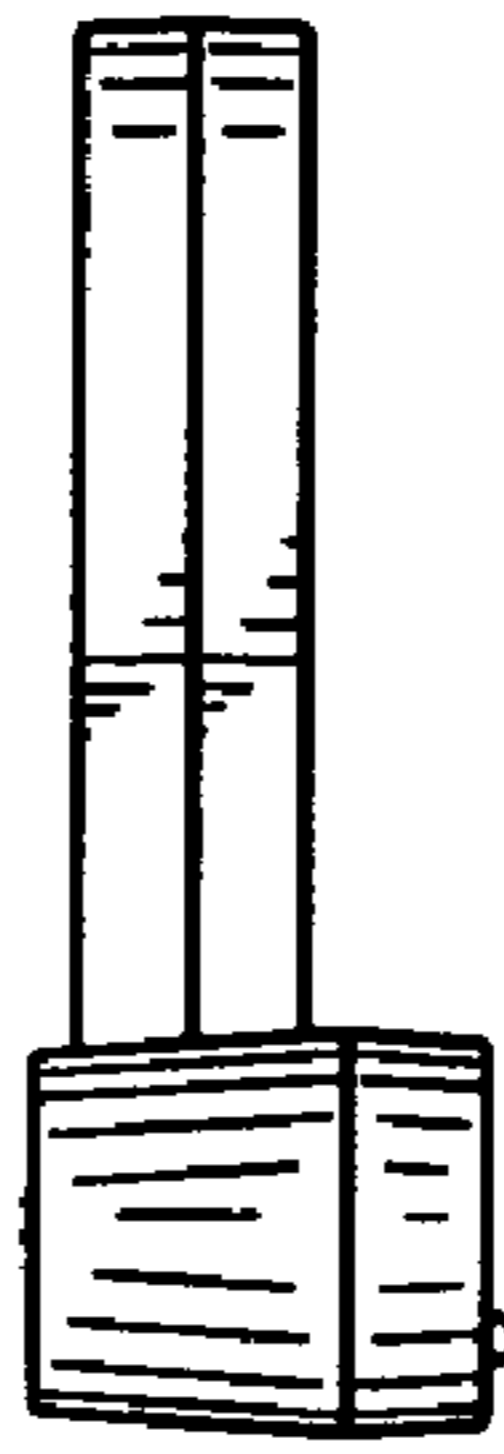


FIG. 2

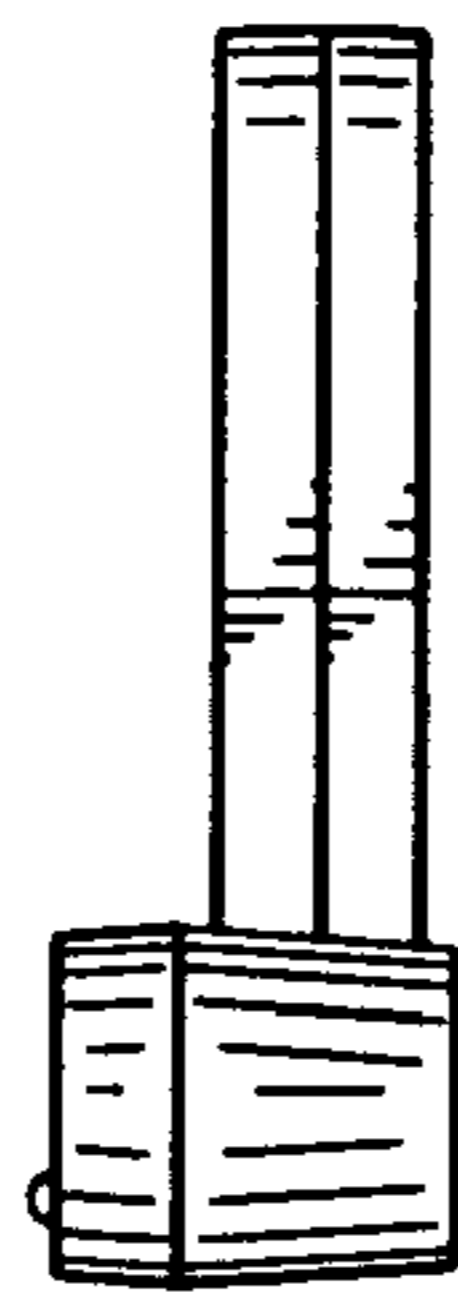


FIG. 3

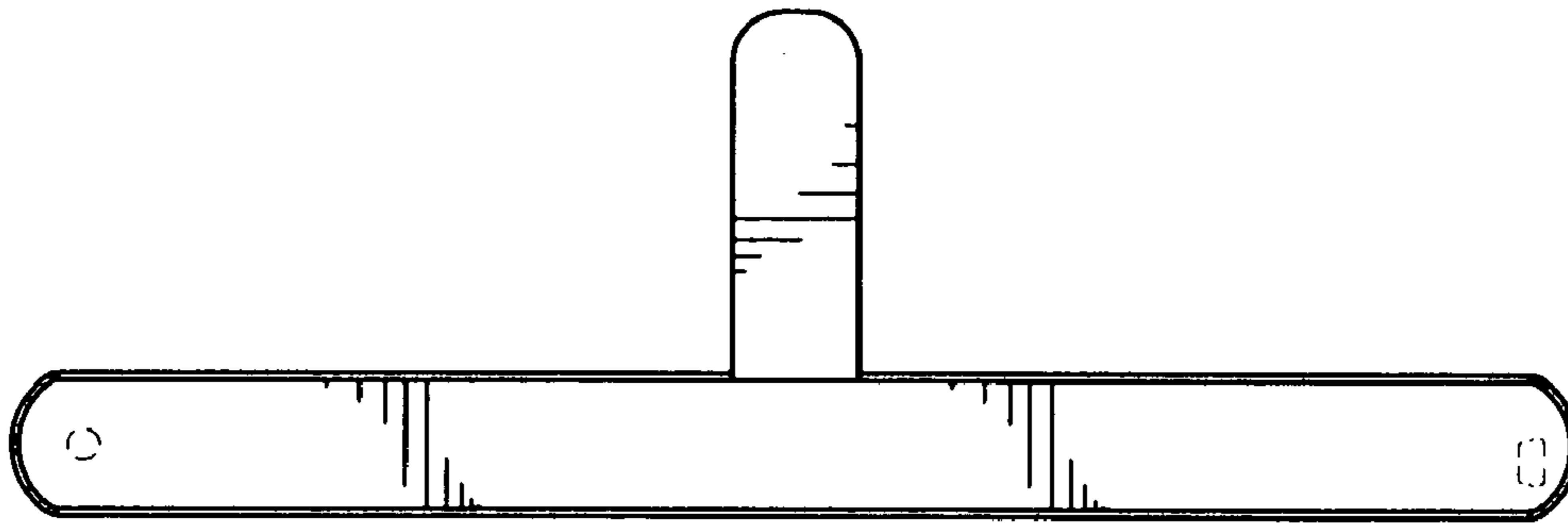


FIG. 4

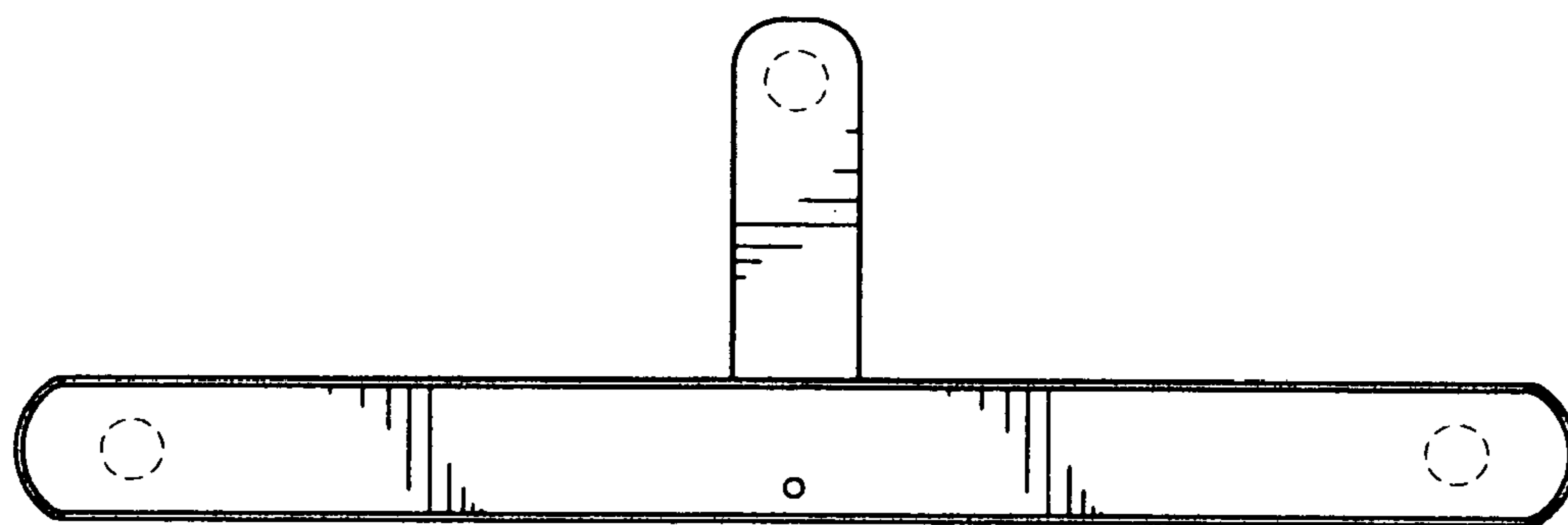


FIG. 5

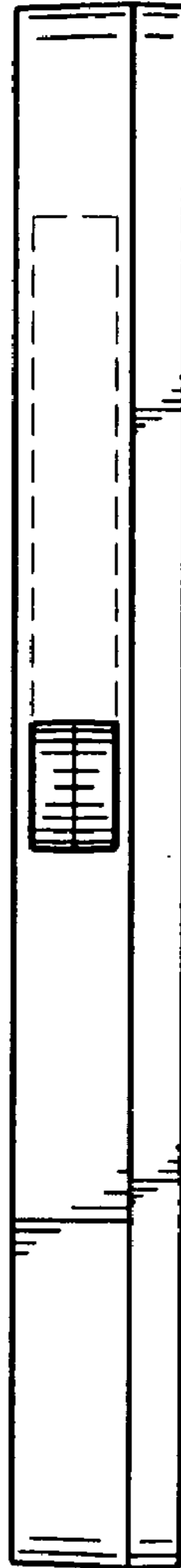


FIG. 6



FIG. 7



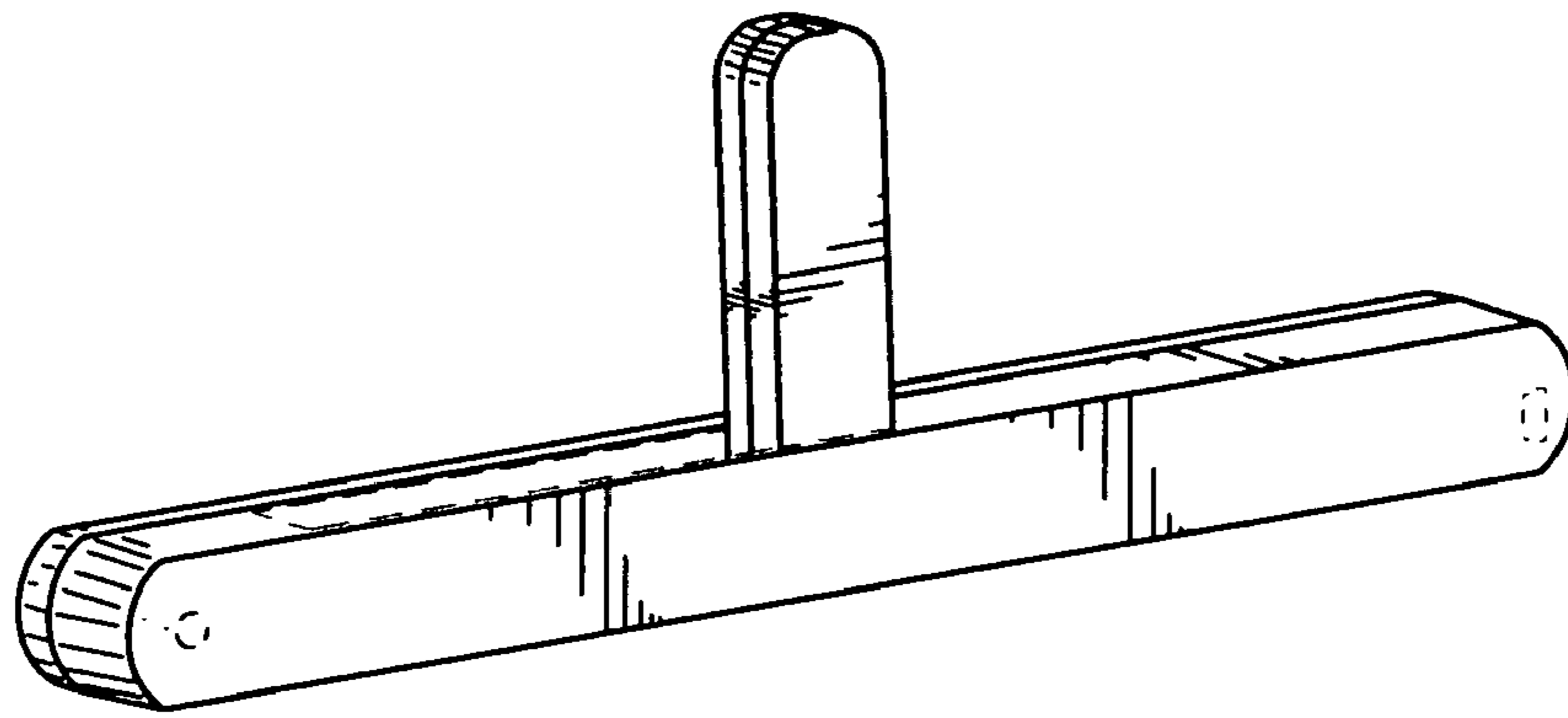


FIG. 8