



US00D624035S

(12) **United States Design Patent**  
**Lee et al.**

(10) **Patent No.:** **US D624,035 S**  
(45) **Date of Patent:** **\*\* Sep. 21, 2010**

(54) **TV SET**

(75) Inventors: **Jung-Hyun Lee**, Seoul (KR); **Yun-Je Kang**, Yongin-si (KR)

(73) Assignee: **Samsung Electronics Co., Ltd.**, Suwon-Si (KR)

(\*\*) Term: **14 Years**

(21) Appl. No.: **29/353,631**

(22) Filed: **Jan. 12, 2010**

(30) **Foreign Application Priority Data**

Oct. 8, 2009 (KR) ..... 30-2009-0044250

(51) **LOC (9) Cl.** ..... **14-03**

(52) **U.S. Cl.** ..... **D14/126**

(58) **Field of Classification Search** ..... D14/125-134, D14/239, 371, 136, 374-377, 440, 450, 448, D14/336, 342; 312/7.2; 348/836, 838, 180, 348/184, 325, 739; 341/12; 248/917-924, 248/465; 345/104, 133, 156, 168, 87, 173; 720/605, 669, 600, 655; 369/99, 197; 455/344, 455/347; D21/329, 515, 577, 622, 333, 433, D21/448, 452, 450, 331; D6/477, 479, 300; 273/148 B; 446/484, 175, 356; D10/15, D10/26

See application file for complete search history.

(56) **References Cited**

U.S. PATENT DOCUMENTS

D567,202 S \* 4/2008 Rieu Piquet ..... D14/126  
D576,580 S \* 9/2008 Olivet ..... D14/126  
D605,146 S \* 12/2009 Kim et al. .... D14/126  
D610,560 S \* 2/2010 Chen ..... D14/126

\* cited by examiner

*Primary Examiner*—Raphael Barkai

(74) *Attorney, Agent, or Firm*—Staas & Halsey LLP

(57) **CLAIM**

The ornamental design for a TV set, as shown and described.

**DESCRIPTION**

FIG. 1 is a front perspective view of a TV set;  
FIG. 2 is a front view of the TV set of FIG. 1;  
FIG. 3 is a rear view of the TV set of FIG. 1;  
FIG. 4 is a left-side view of the TV set of FIG. 1;  
FIG. 5 is a right-side view of the TV set of FIG. 1;  
FIG. 6 is a top plan view of the TV set of FIG. 1; and,  
FIG. 7 is a bottom plan view of the TV set of FIG. 1.

**1 Claim, 7 Drawing Sheets**

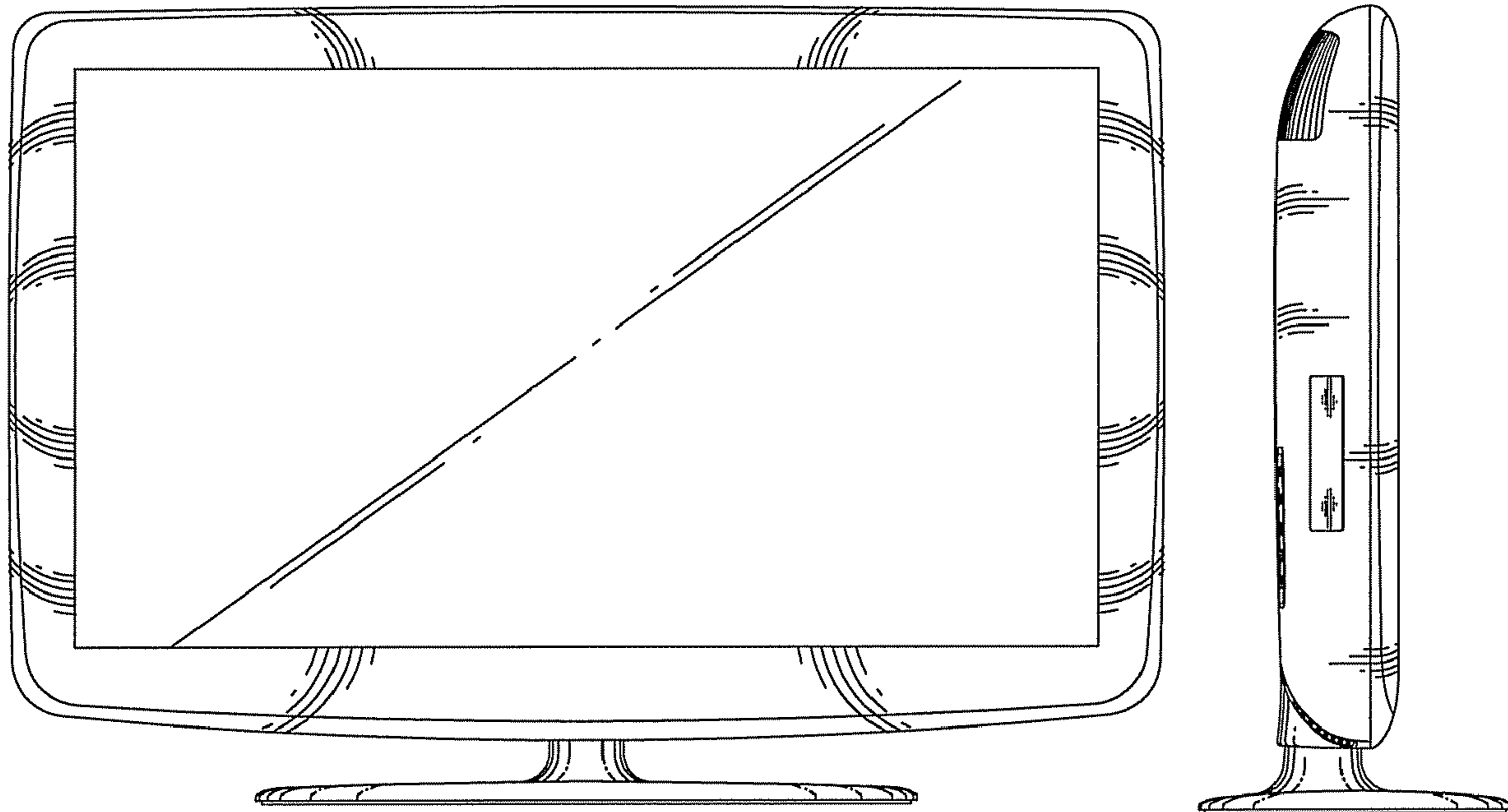


FIG. 1

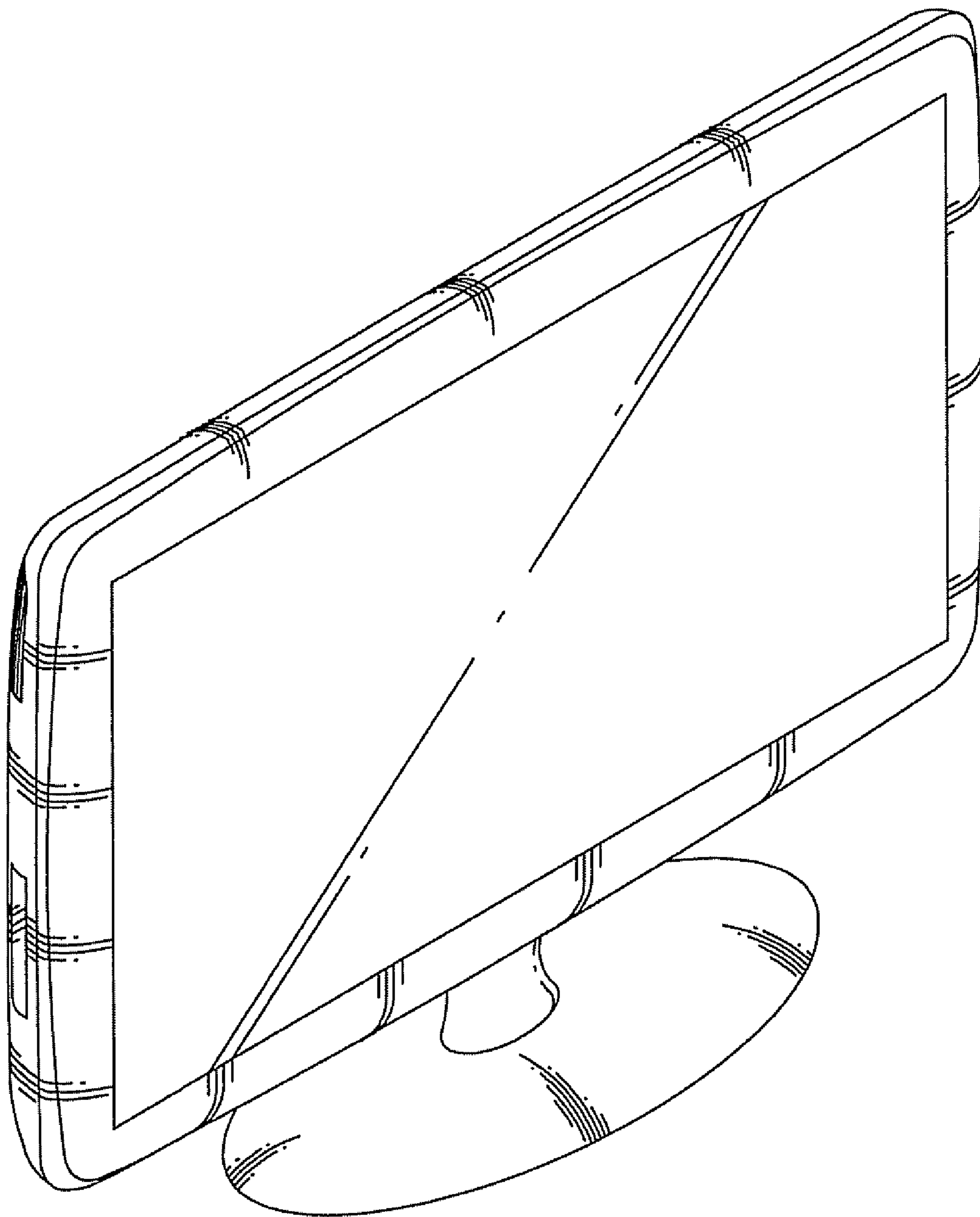


FIG. 2

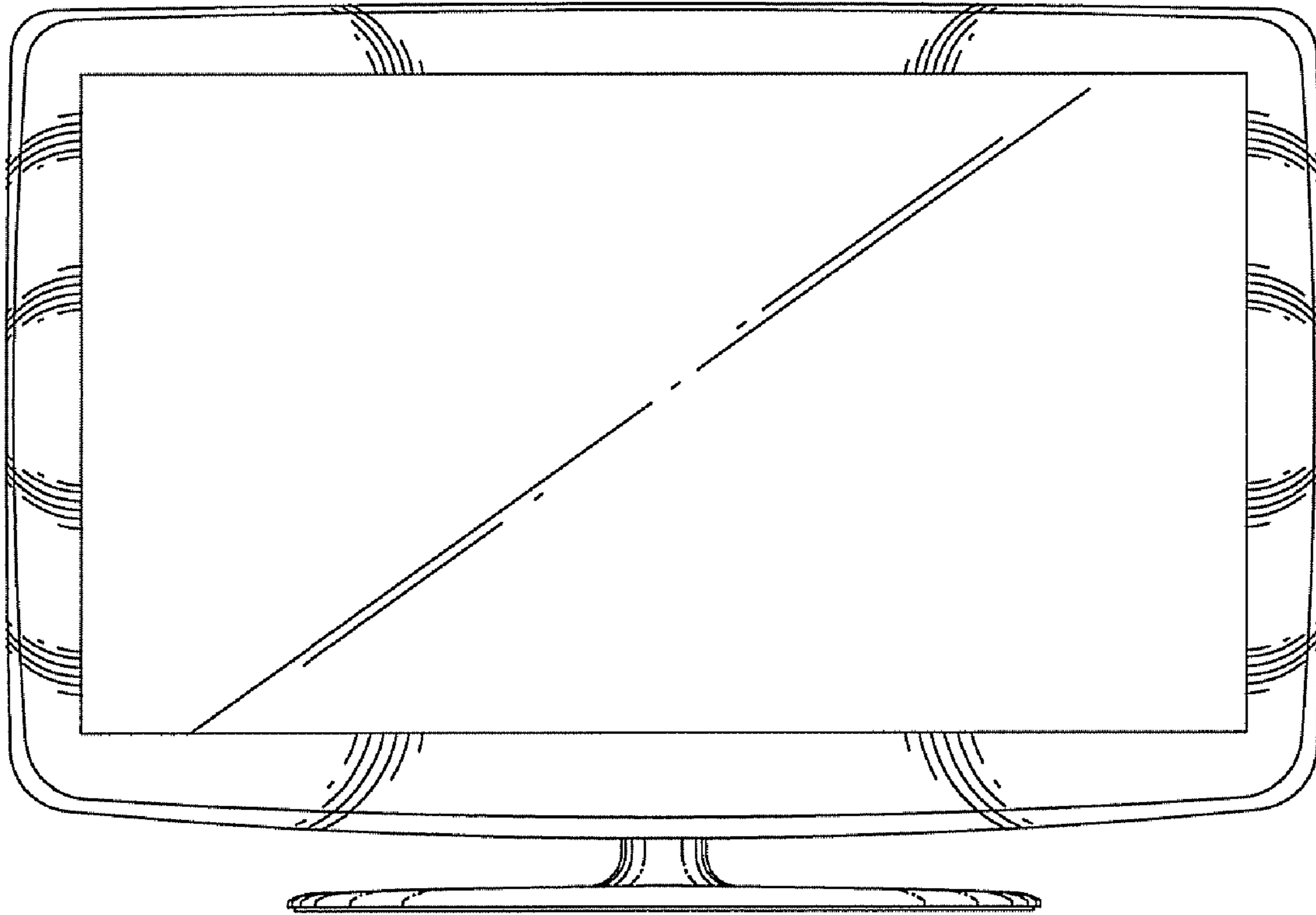
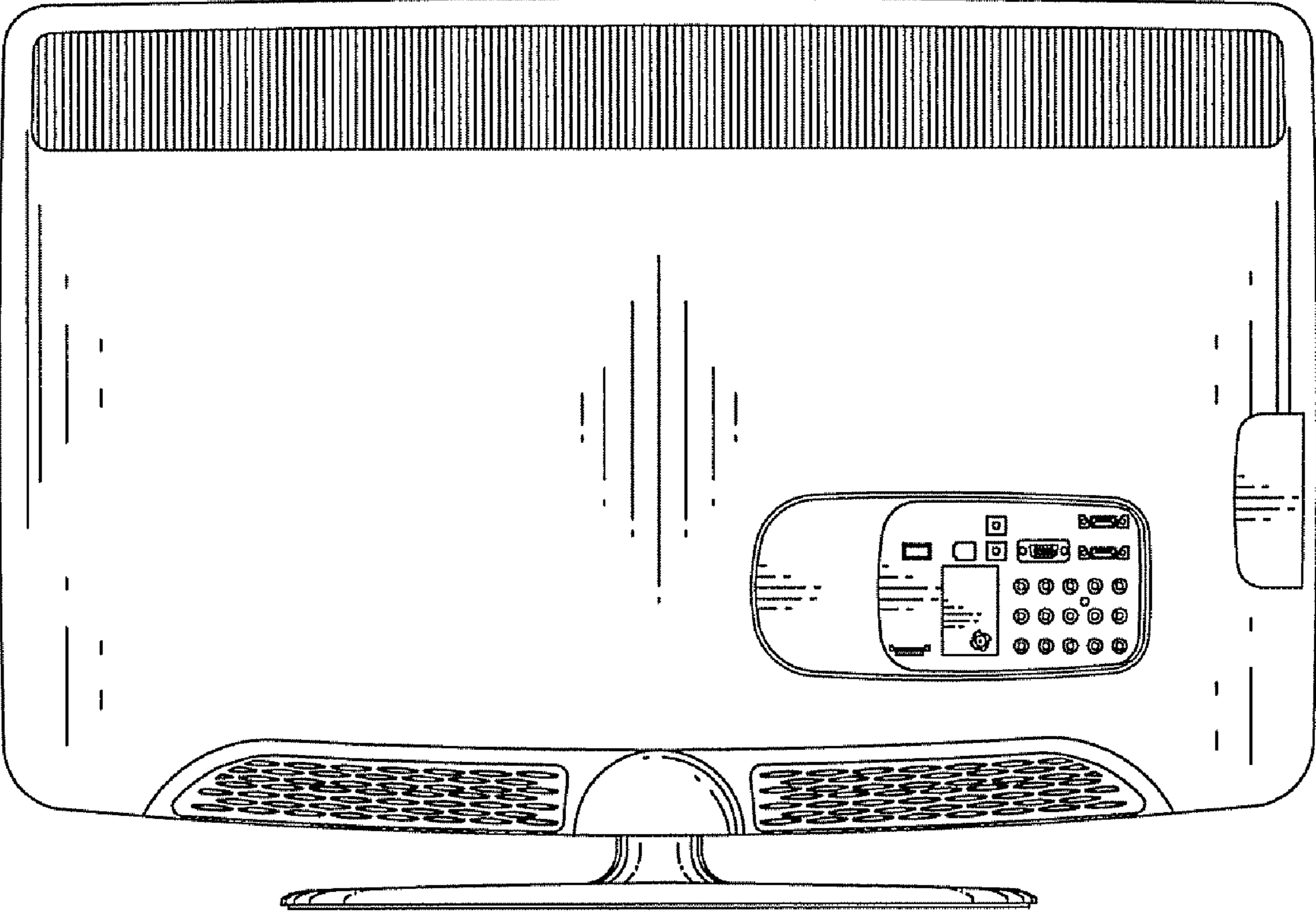


FIG. 3



# FIG. 4

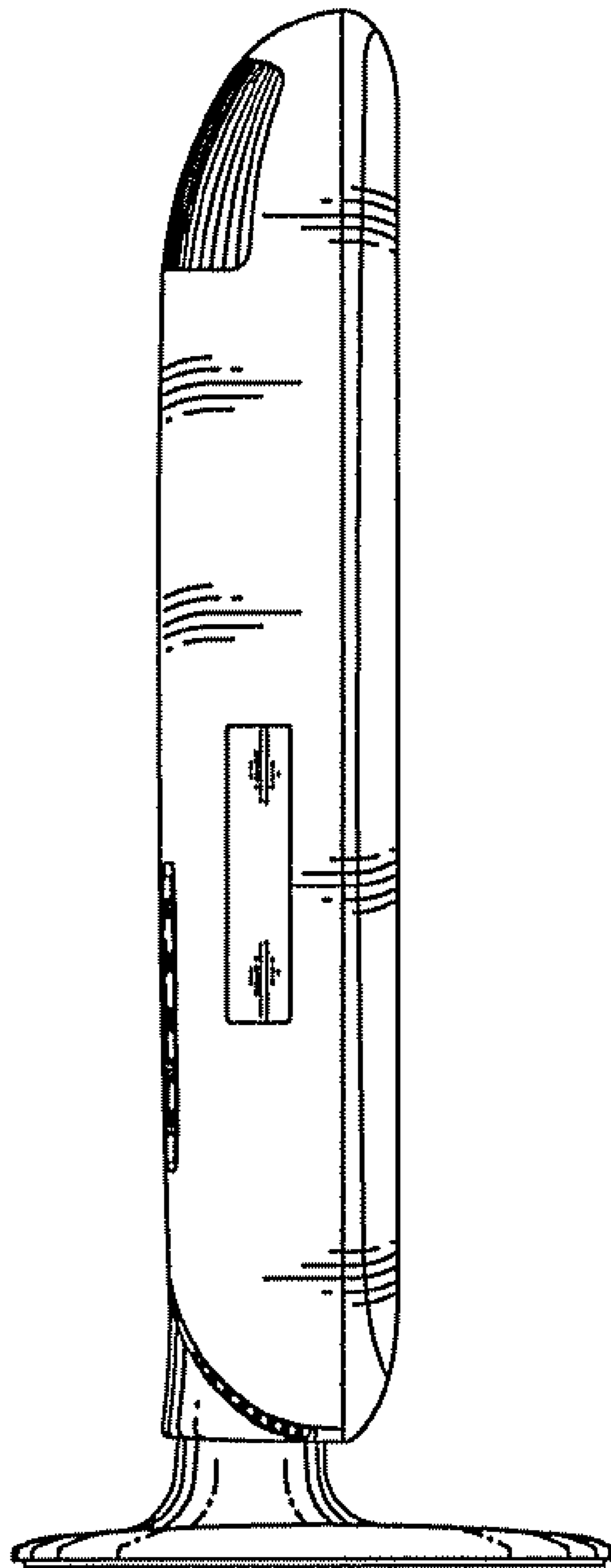


FIG. 5

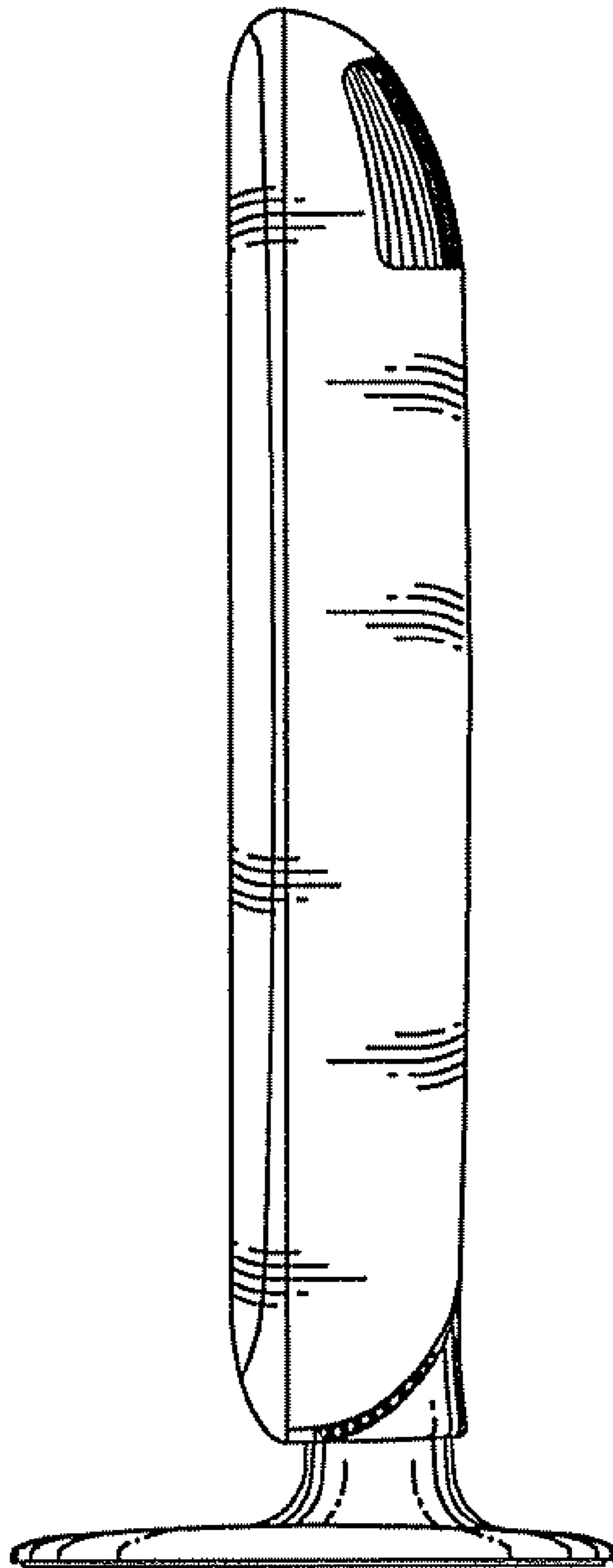


FIG. 6

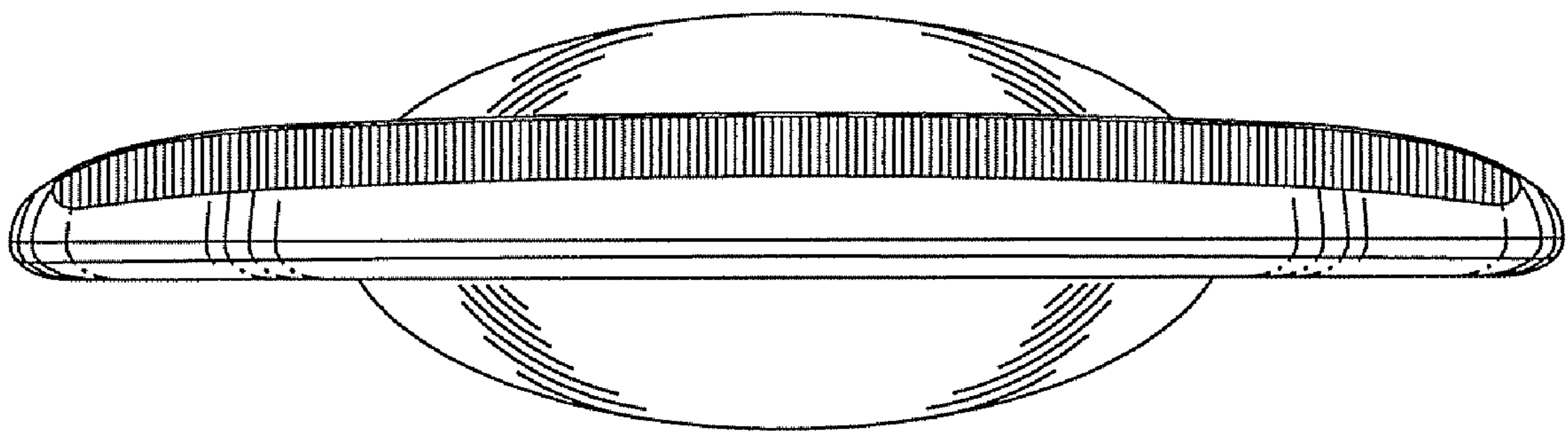


FIG. 7

