



US00D624034S

(12) **United States Design Patent**
Takeuchi et al.

(10) **Patent No.:** **US D624,034 S**
(45) **Date of Patent:** **** Sep. 21, 2010**

(54) **PORTION OF A LIGHT-EMITTING DIODE**

(75) Inventors: **Teruo Takeuchi**, Kitakyushu (JP);
Tatsuo Tonedachi, Kitakyushu (JP);
Kazuhisa Iwashita, Kitakyushu (JP);
Satoshi Shimizu, Kitakyushu (JP)

(73) Assignee: **Kabushiki Kaisha Toshiba**, Tokyo (JP)

(**) Term: **14 Years**

(21) Appl. No.: **29/355,736**

(22) Filed: **Feb. 12, 2010**

(30) **Foreign Application Priority Data**

Oct. 16, 2009 (JP) 2009-024369

(51) **LOC (9) Cl.** **13-03**

(52) **U.S. Cl.** **D13/180**

(58) **Field of Classification Search** D13/180;
D26/2; 257/79, 80, 81, 88, 89, 95, 98, 99,
257/100, E33.058, 676, 678; 313/483, 498,
313/500; 362/555, 800

See application file for complete search history.

(56) **References Cited**

U.S. PATENT DOCUMENTS

6,677,667	B1 *	1/2004	Hong et al.	257/684
6,713,317	B2 *	3/2004	Knapp et al.	438/106
6,734,536	B2 *	5/2004	Kobayakawa	257/676
7,298,034	B2 *	11/2007	Carney et al.	257/686
D576,571	S	9/2008	Itai	
2002/0121684	A1 *	9/2002	Kobayakawa	257/676
2003/0122225	A1 *	7/2003	Fukui et al.	257/676
2009/0057855	A1 *	3/2009	Quinones et al.	257/676

FOREIGN PATENT DOCUMENTS

JP D1066550 4/2000

JP	D1322677	2/2008
JP	D1325977	3/2008
JP	D1350595	2/2009
KR	30-0419506	7/2006
KR	30-0503678	8/2008

* cited by examiner

Primary Examiner—Selina Sikder

(74) *Attorney, Agent, or Firm*—Banner & Witcoff, Ltd.

(57) **CLAIM**

The ornamental design for a portion of a light-emitting diode, as shown and described.

DESCRIPTION

FIG. 1 is a front perspective view of a portion of a light-emitting diode, showing our new design;

FIG. 2 is a rear perspective view thereof;

FIG. 3 is a front elevational view thereof;

FIG. 4 is a rear elevational view thereof;

FIG. 5 is a top plan view thereof;

FIG. 6 is a bottom plan view thereof;

FIG. 7 is a right side elevational view thereof;

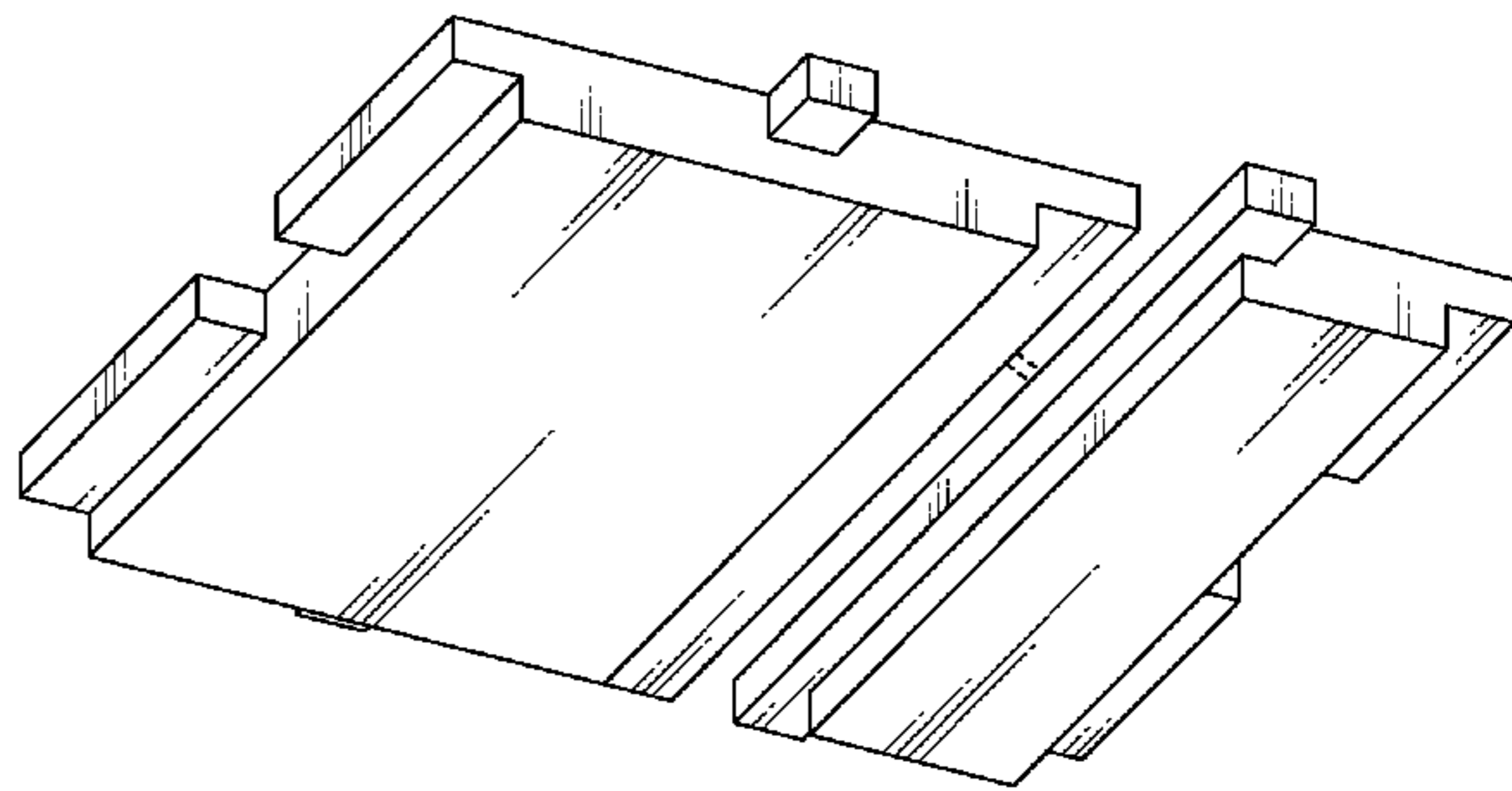
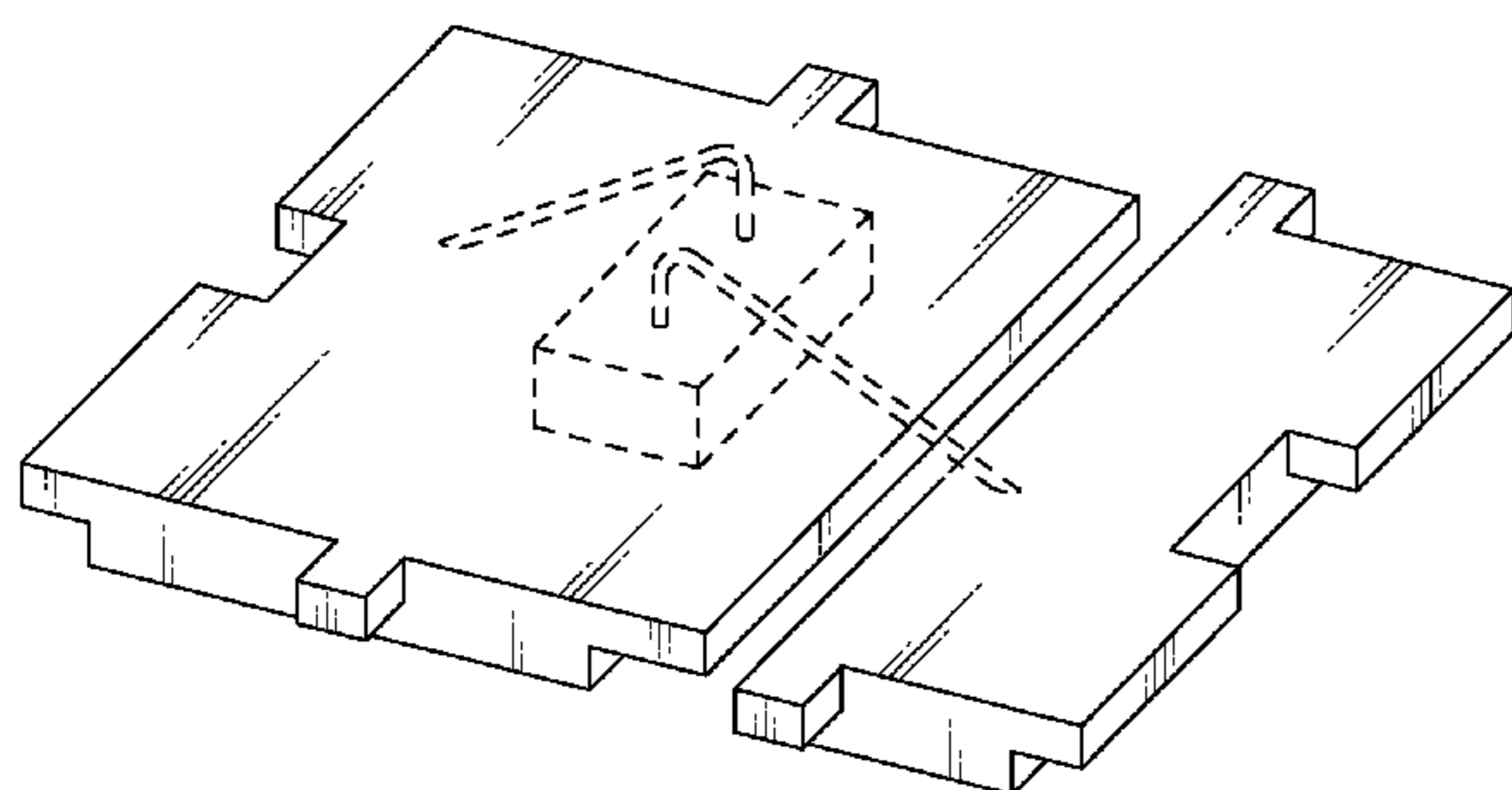
FIG. 8 is a left side elevational view thereof;

FIG. 9 is a front perspective view of the light-emitting diode of FIG. 1; and,

FIG. 10 is a rear perspective view of the light-emitting diode of FIG. 1.

The broken lines immediately adjacent to the shaded region form an unclaimed boundary of the design. The broken line showing of the remainder of the light-emitting diode is for illustrative purposes only and forms no part of the claimed design.

1 Claim, 6 Drawing Sheets



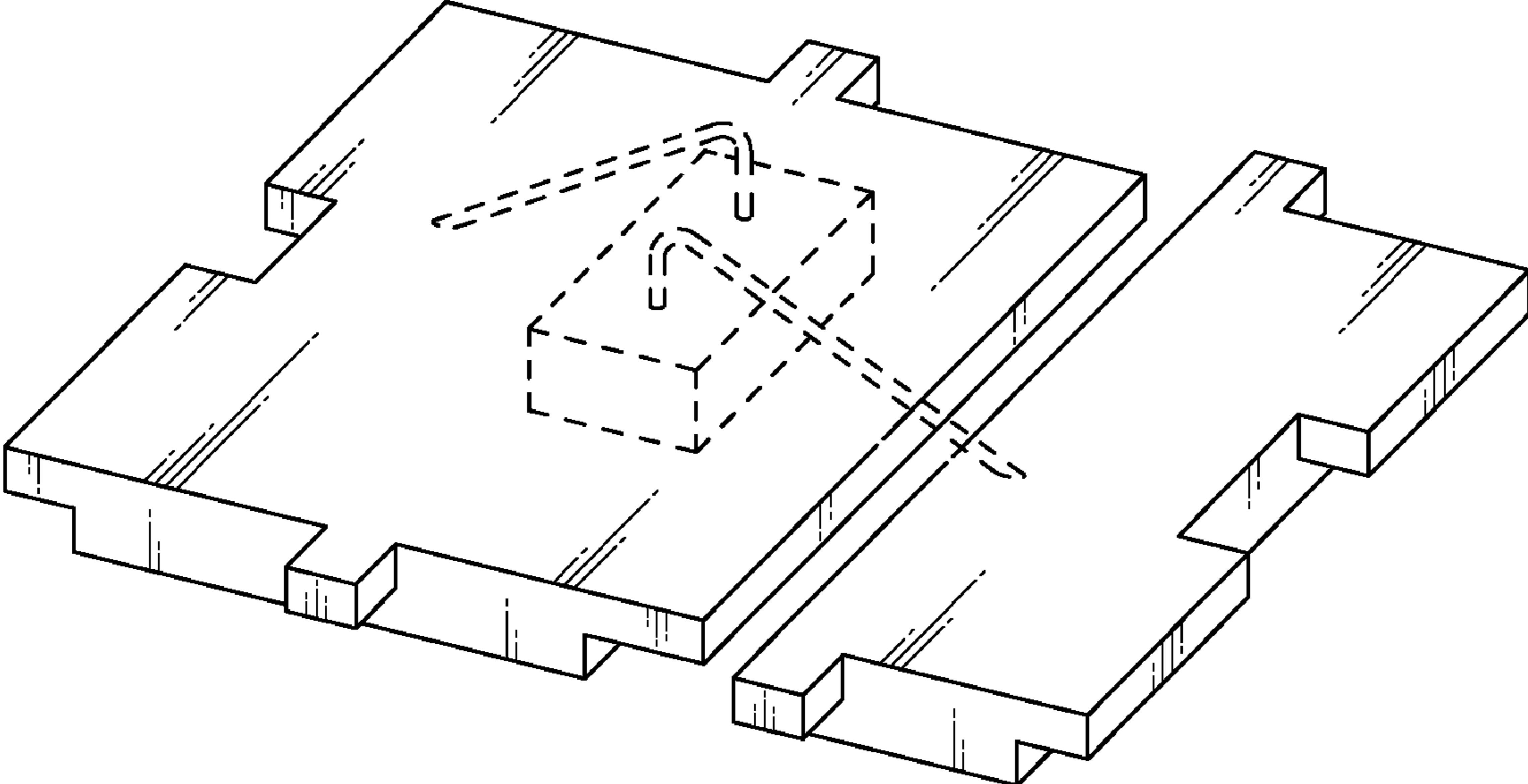


FIG.1

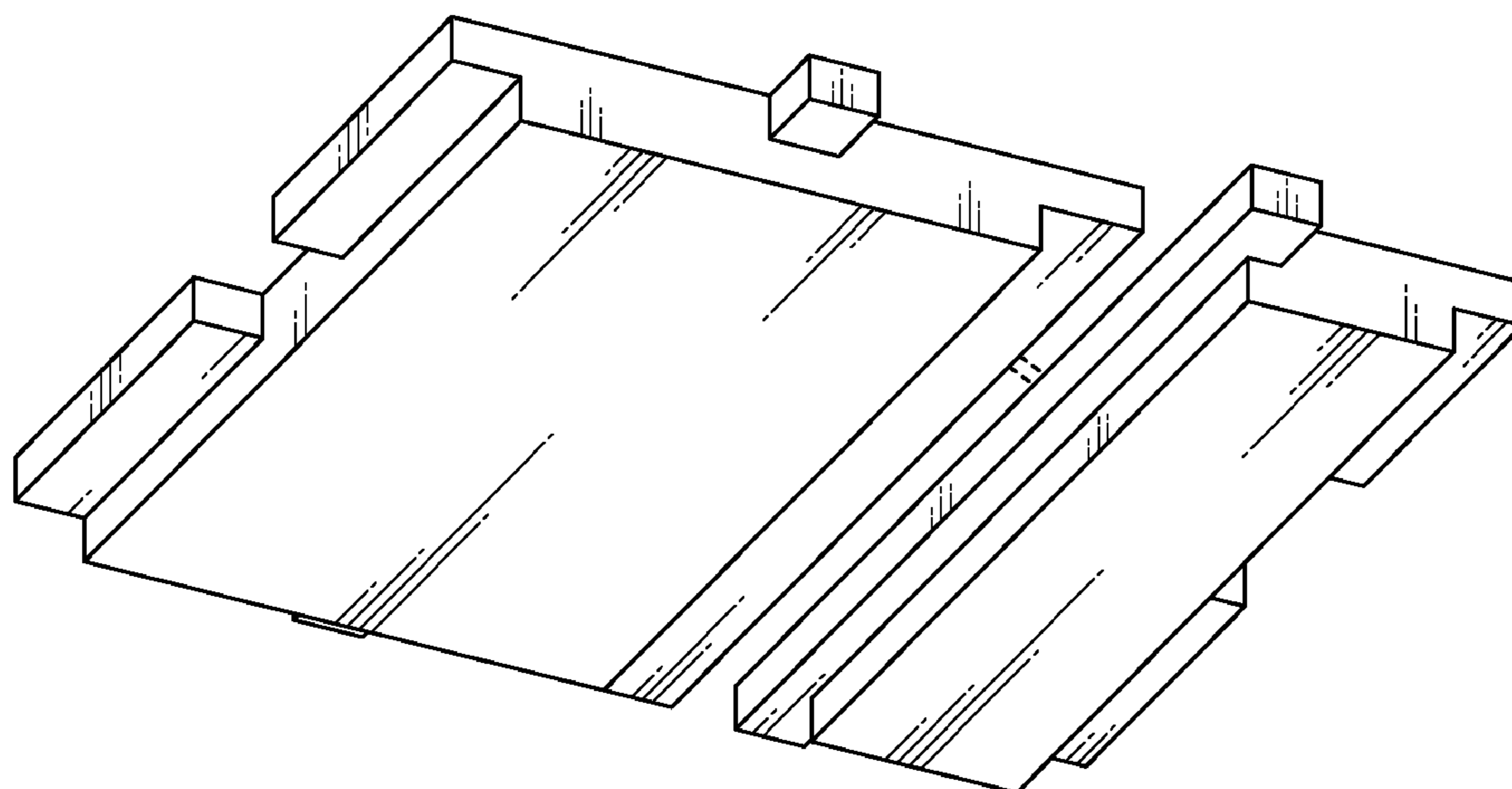


FIG.2

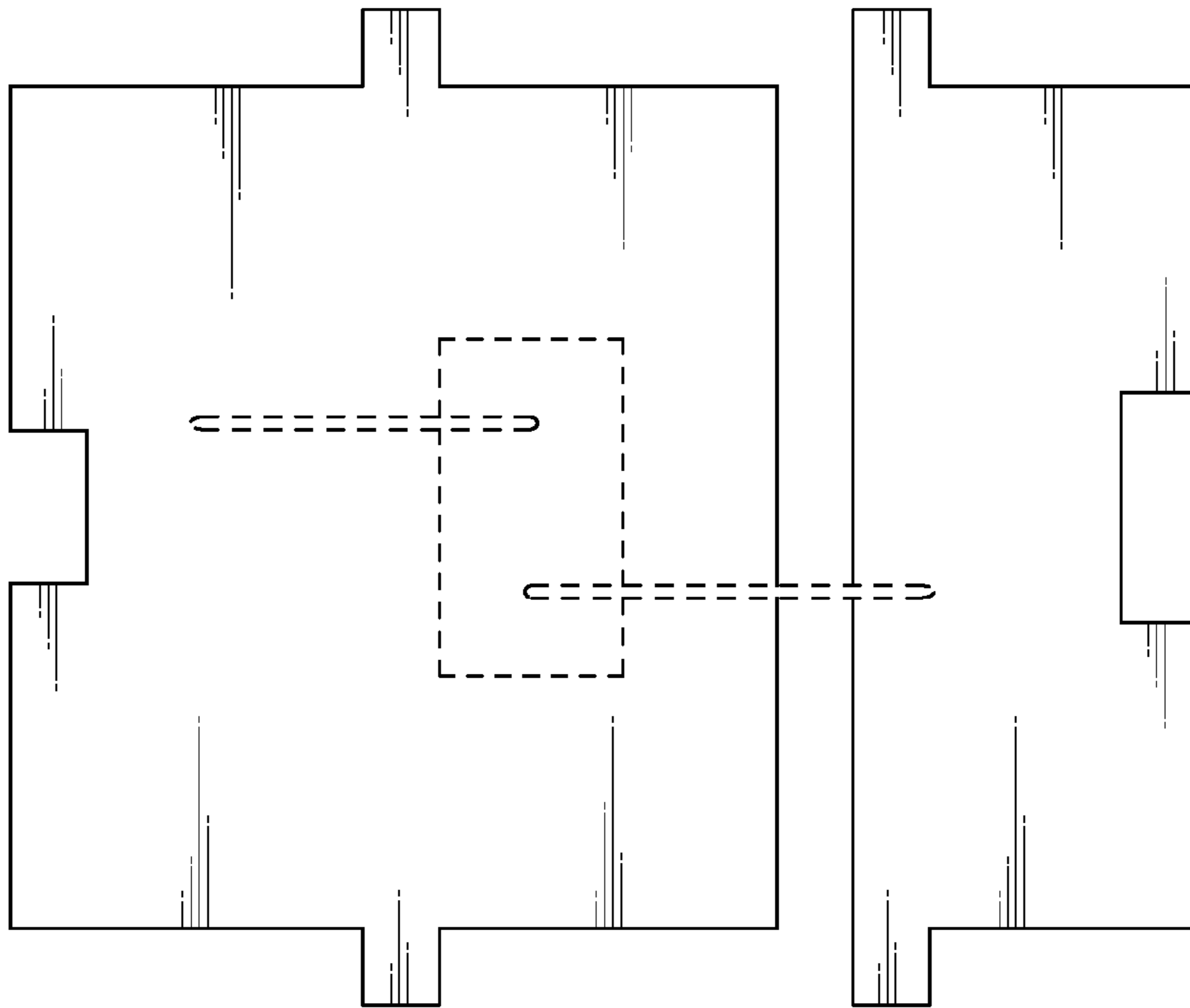


FIG.3

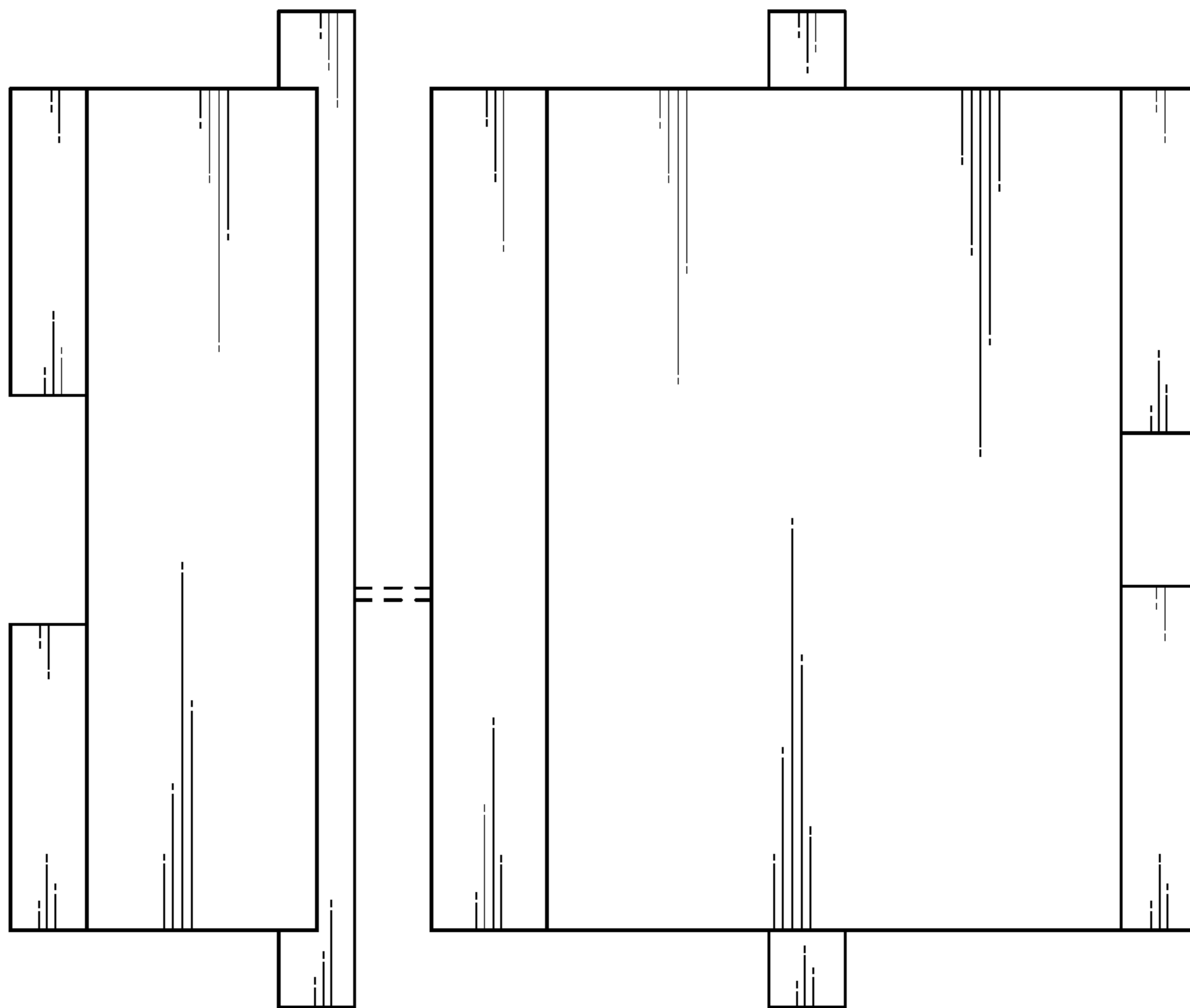


FIG.4

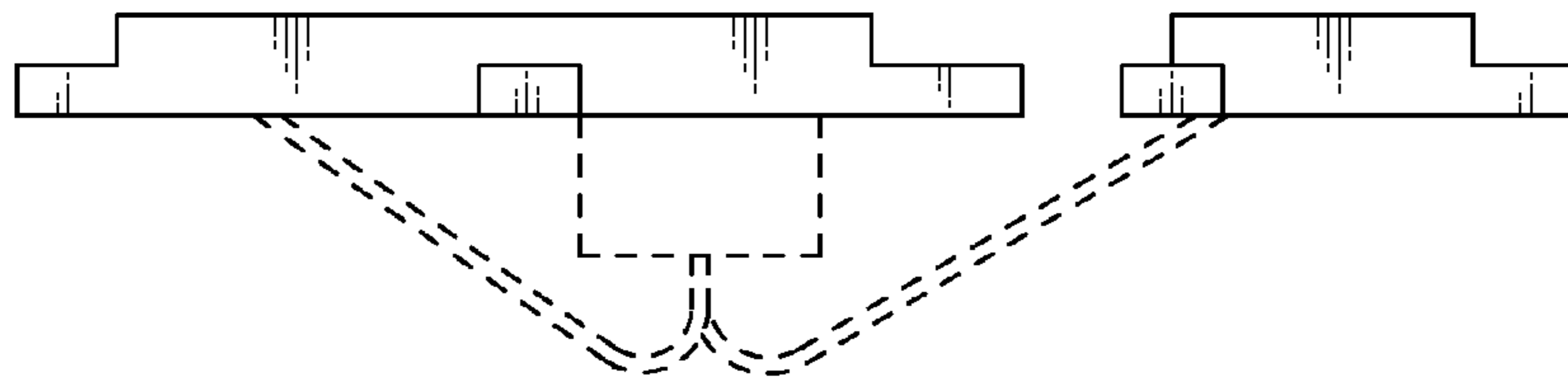


FIG. 5

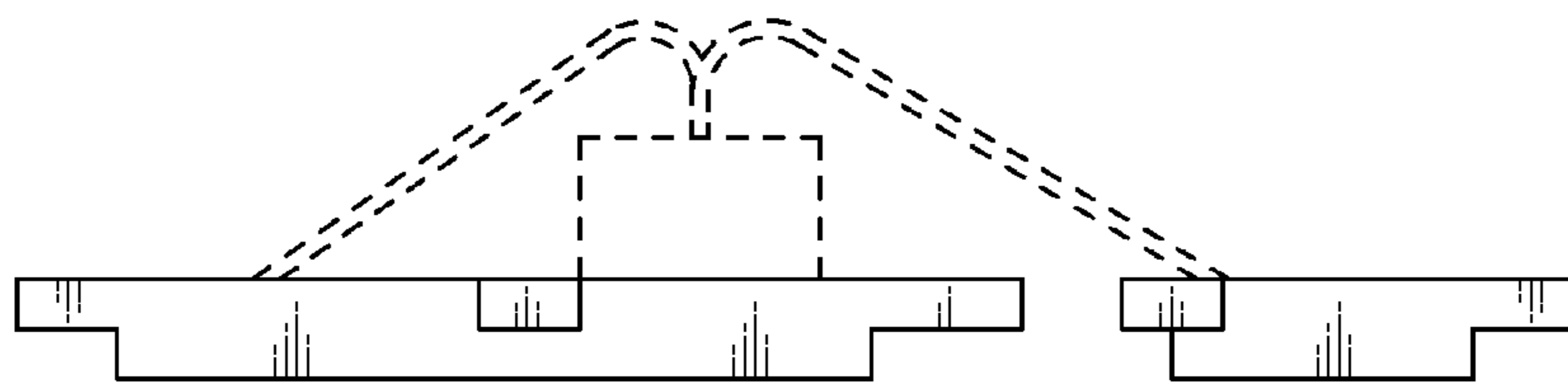


FIG. 6

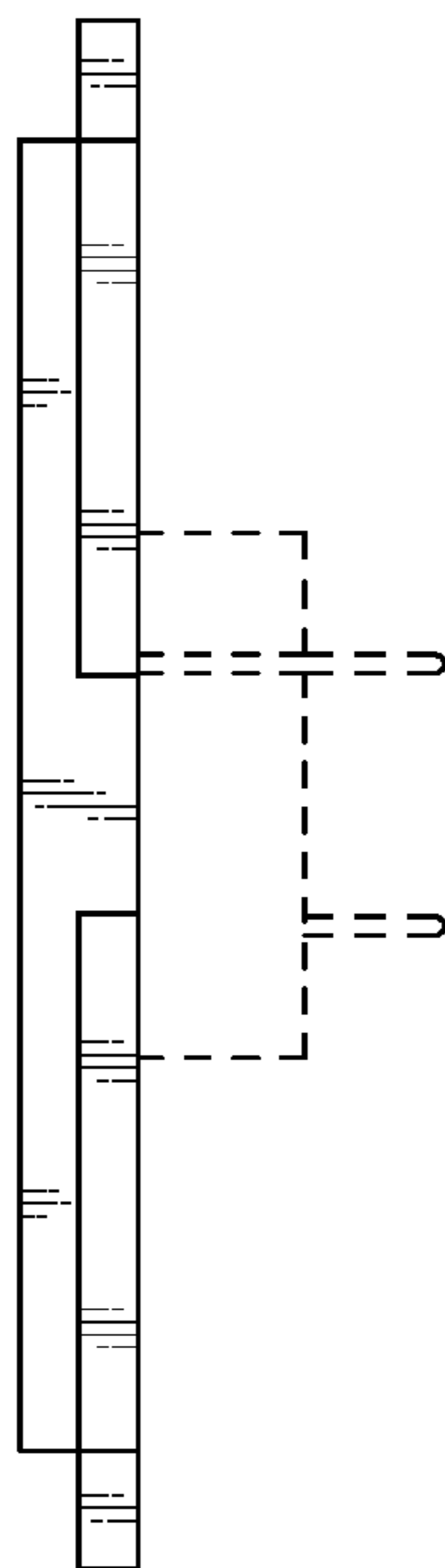


FIG. 8

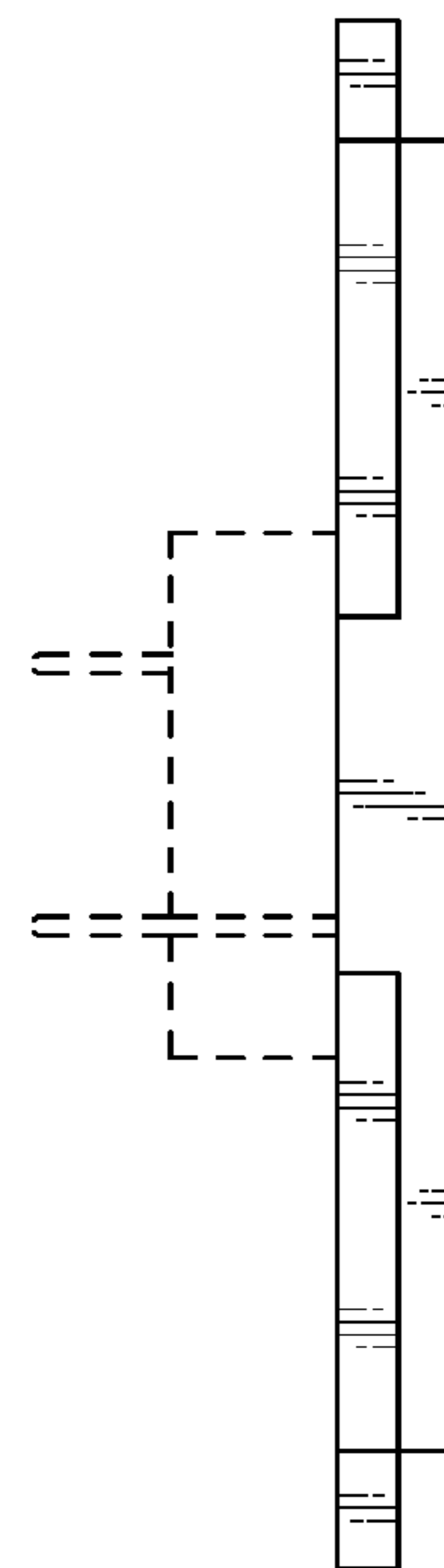


FIG. 7

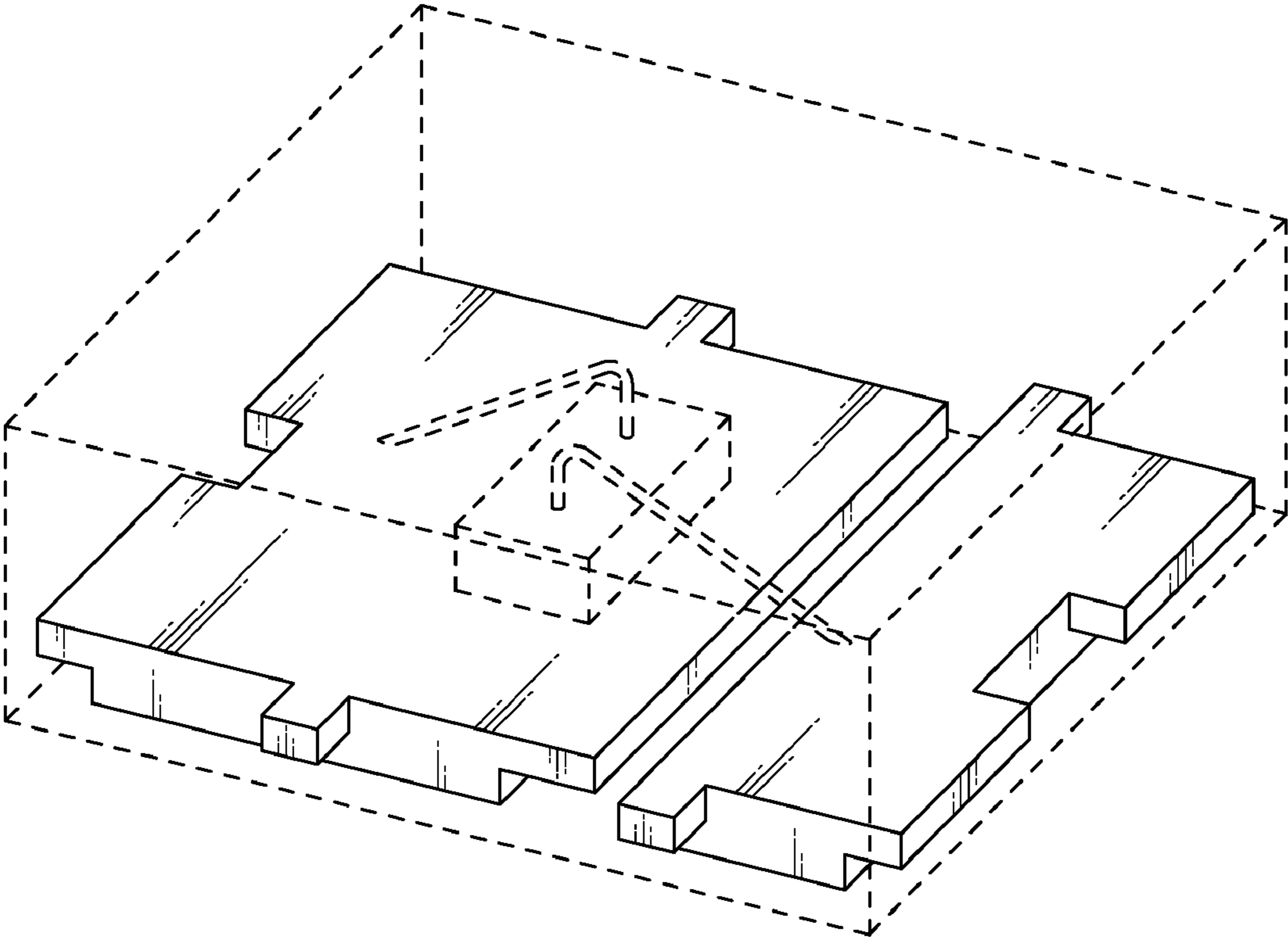


FIG.9

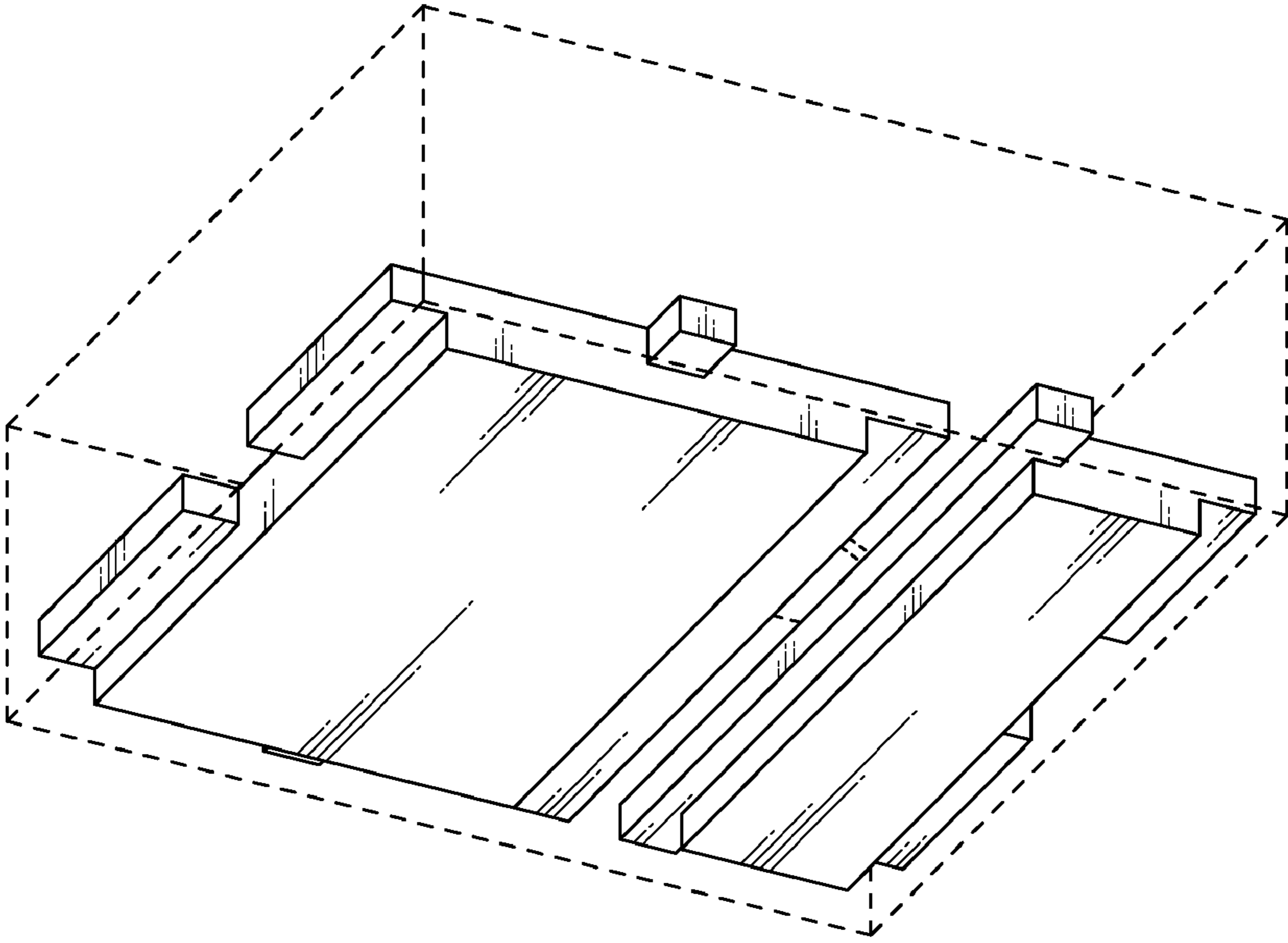


FIG.10