



US00D624033S

(12) **United States Design Patent**  
**Takeuchi et al.**

(10) **Patent No.:** **US D624,033 S**

(45) **Date of Patent:** **\*\* Sep. 21, 2010**

(54) **PORTION OF A LIGHT-EMITTING DIODE**

(75) Inventors: **Teruo Takeuchi**, Kitakyushu (JP);  
**Tatsuo Tonedachi**, Kitakyushu (JP);  
**Kazuhisa Iwashita**, Kitakyushu (JP);  
**Satoshi Shimizu**, Kitakyushu (JP)

(73) Assignee: **Kabushiki Kaisha Toshiba**, Tokyo (JP)

(\*\*) Term: **14 Years**

(21) Appl. No.: **29/355,734**

(22) Filed: **Feb. 12, 2010**

(30) **Foreign Application Priority Data**

Oct. 16, 2009 (JP) ..... 2009-024371

(51) **LOC (9) Cl.** ..... **13-03**

(52) **U.S. Cl.** ..... **D13/180**

(58) **Field of Classification Search** ..... D13/180;  
D26/2; 257/79, 80, 81, 88, 89, 95, 98, 99,  
257/100, E33.058, 676, 678; 313/483, 498,  
313/500; 362/555, 800

See application file for complete search history.

(56) **References Cited**

**U.S. PATENT DOCUMENTS**

6,677,667 B1 \* 1/2004 Hong et al. .... 257/684  
6,713,317 B2 \* 3/2004 Knapp et al. .... 438/106  
6,734,536 B2 \* 5/2004 Kobayakawa ..... 257/676  
7,298,034 B2 \* 11/2007 Carney et al. .... 257/686  
2002/0121684 A1 \* 9/2002 Kobayakawa ..... 257/676  
2003/0122225 A1 \* 7/2003 Fukui et al. .... 257/676

2009/0057855 A1 \* 3/2009 Quinones et al. .... 257/676

\* cited by examiner

*Primary Examiner*—Selina Sikder

(74) *Attorney, Agent, or Firm*—Banner & Witcoff, Ltd.

(57) **CLAIM**

The ornamental design for a portion of a light-emitting diode, as shown and described.

**DESCRIPTION**

FIG. 1 is a front perspective view of a portion of a light-emitting diode, showing our new design;

FIG. 2 is a rear perspective view thereof;

FIG. 3 is a front elevational view thereof;

FIG. 4 is a rear elevational view thereof;

FIG. 5 is a bottom plan view thereof; the opposite side being a mirror image thereof;

FIG. 6 is a right side elevational view thereof;

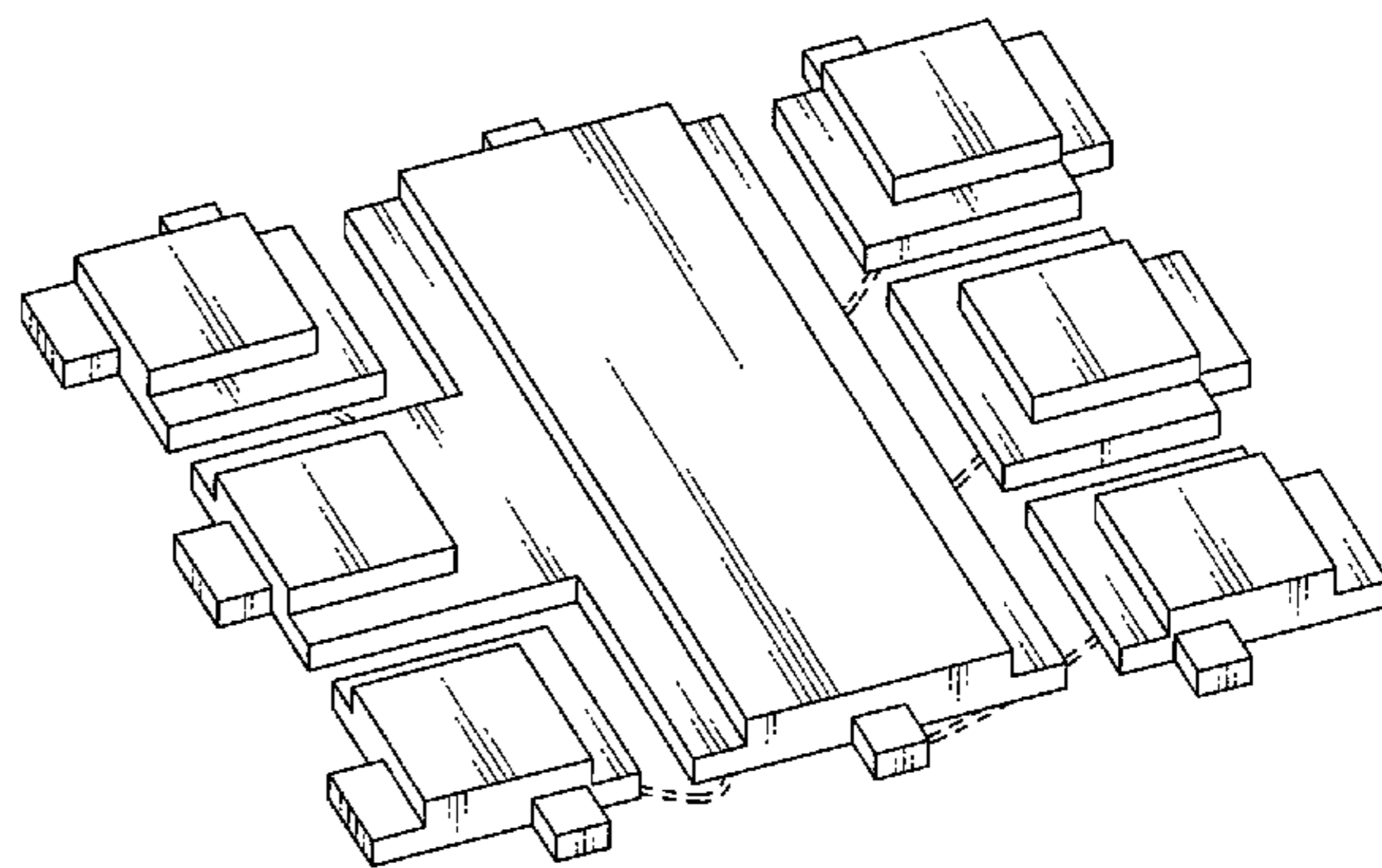
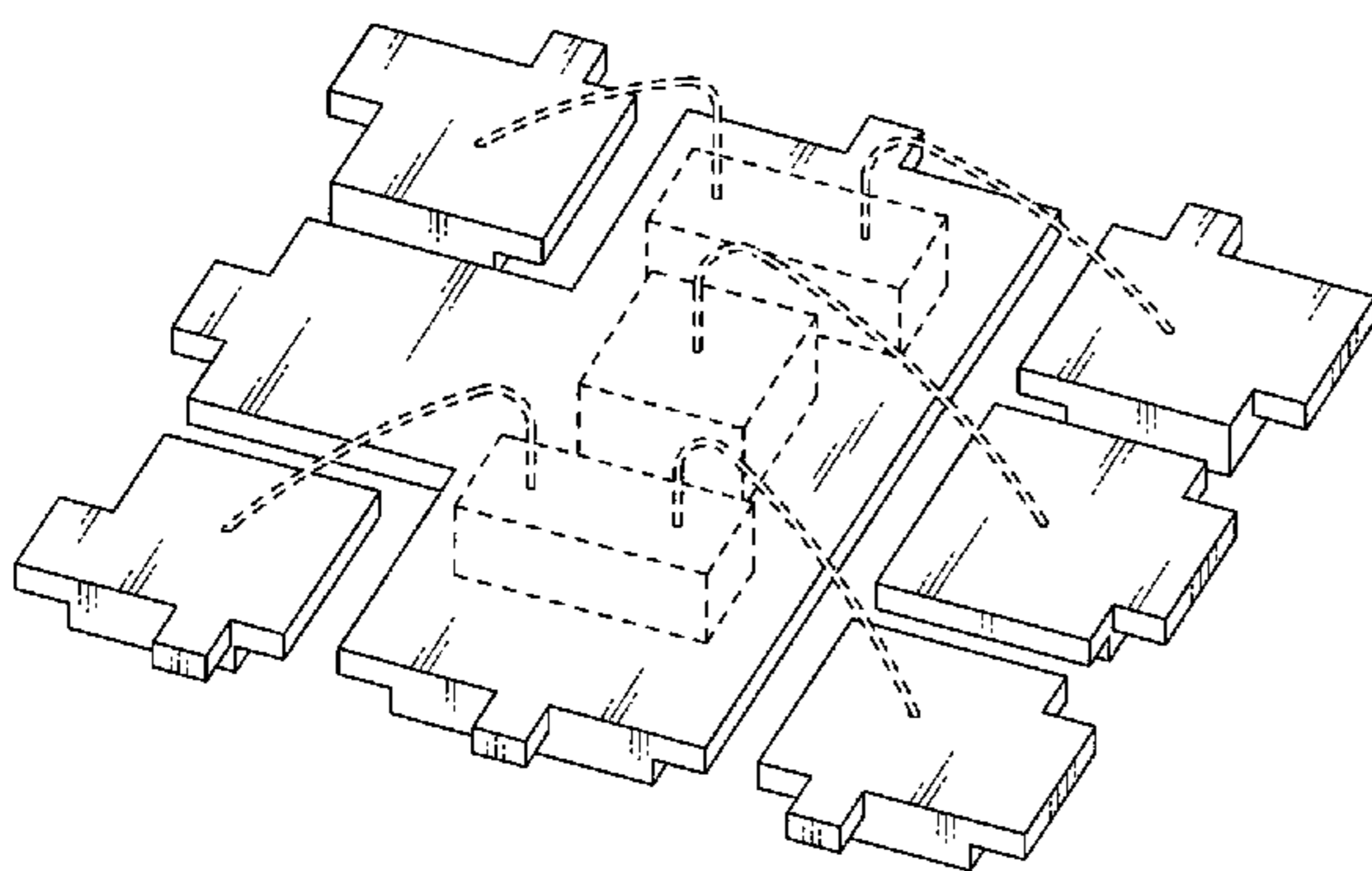
FIG. 7 is a left side elevational view thereof;

FIG. 8 is a front perspective view of the light-emitting diode of FIG. 1; and,

FIG. 9 is a rear perspective view of the light-emitting diode of FIG. 1.

The broken lines immediately adjacent to the shaded region form an unclaimed boundary of the design. The broken line showing of the remainder of the light-emitting diode is for illustrative purposes only and forms no part of the claimed design.

**1 Claim, 6 Drawing Sheets**



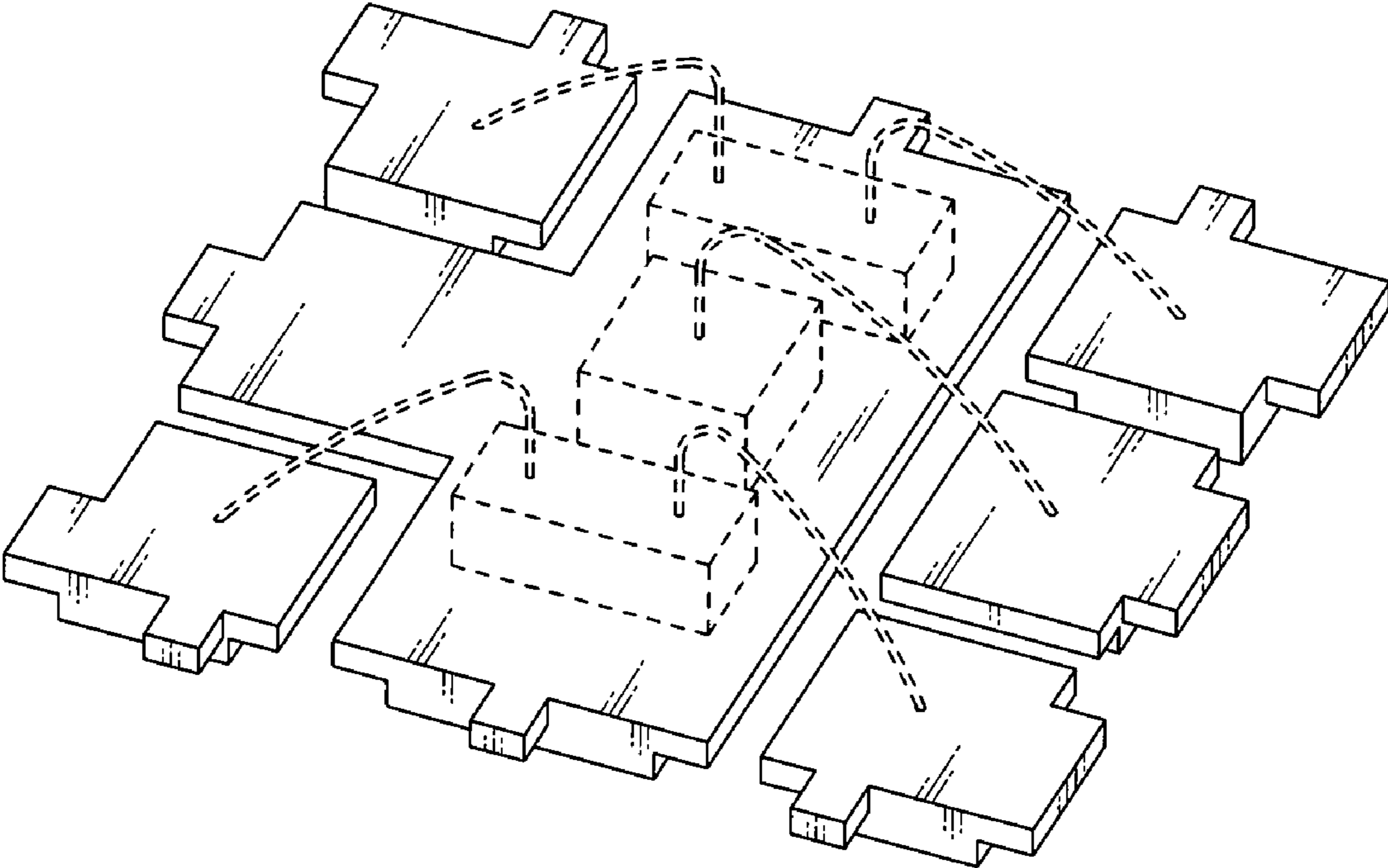


FIG. 1

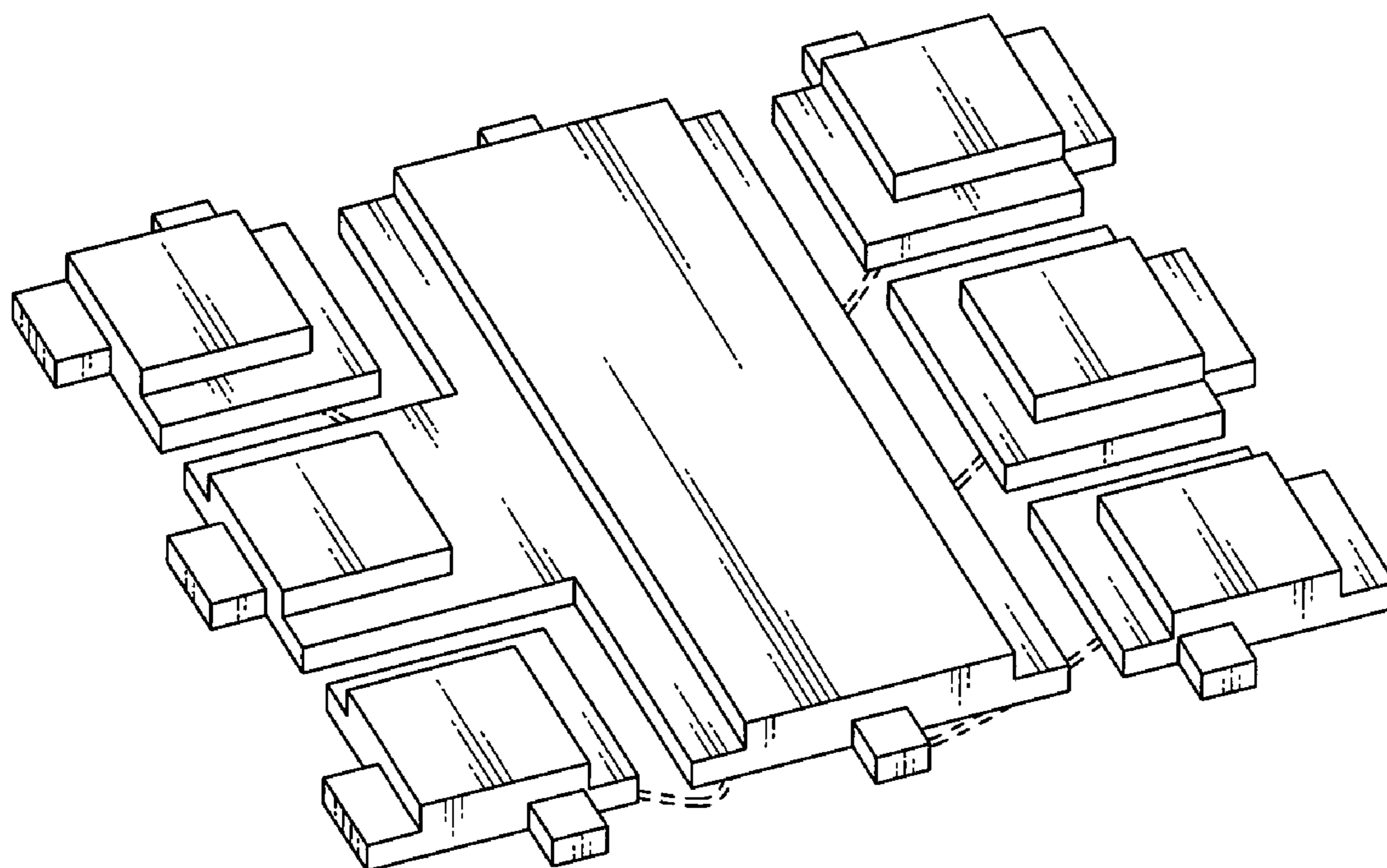


FIG.2

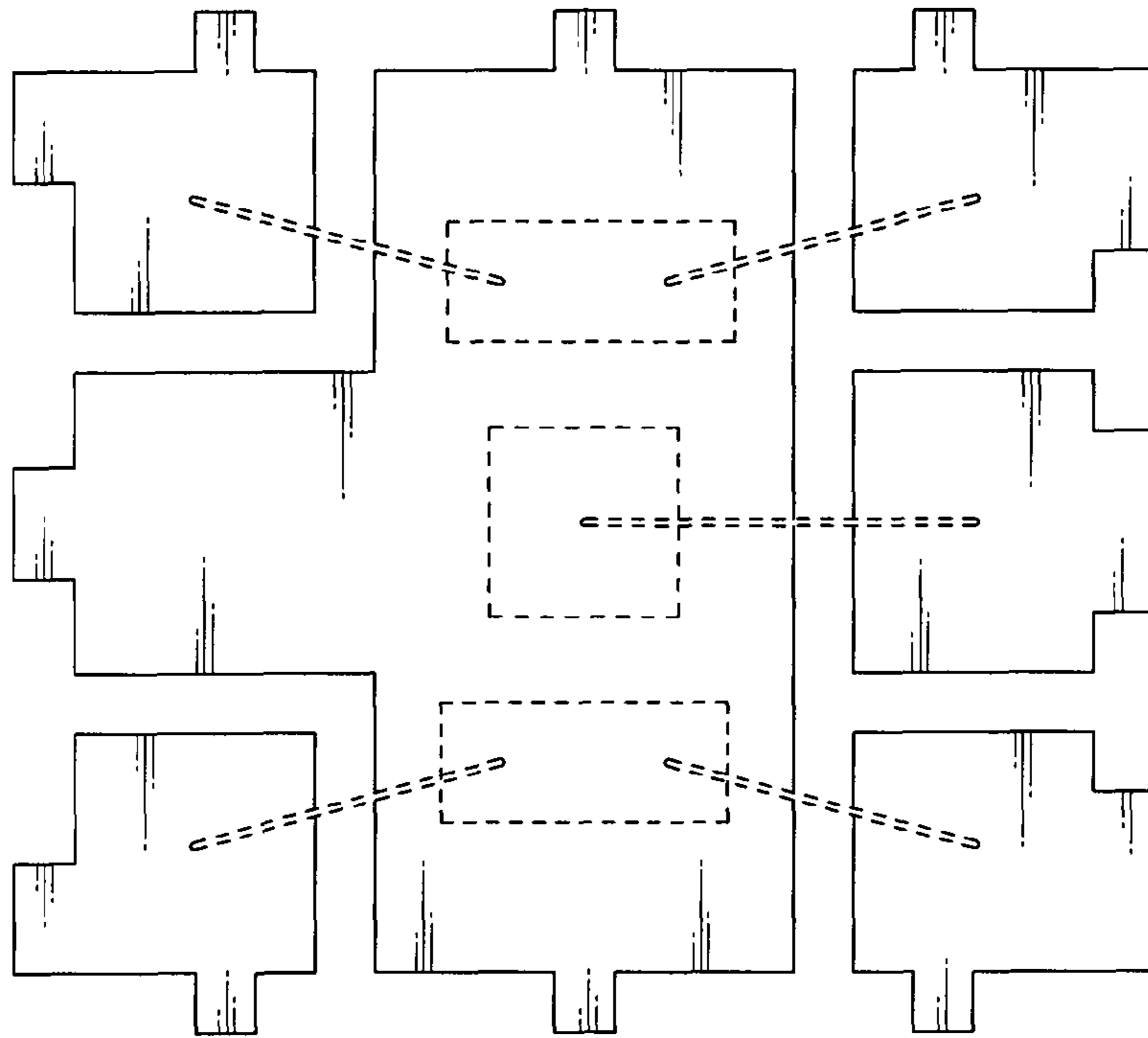


FIG.3

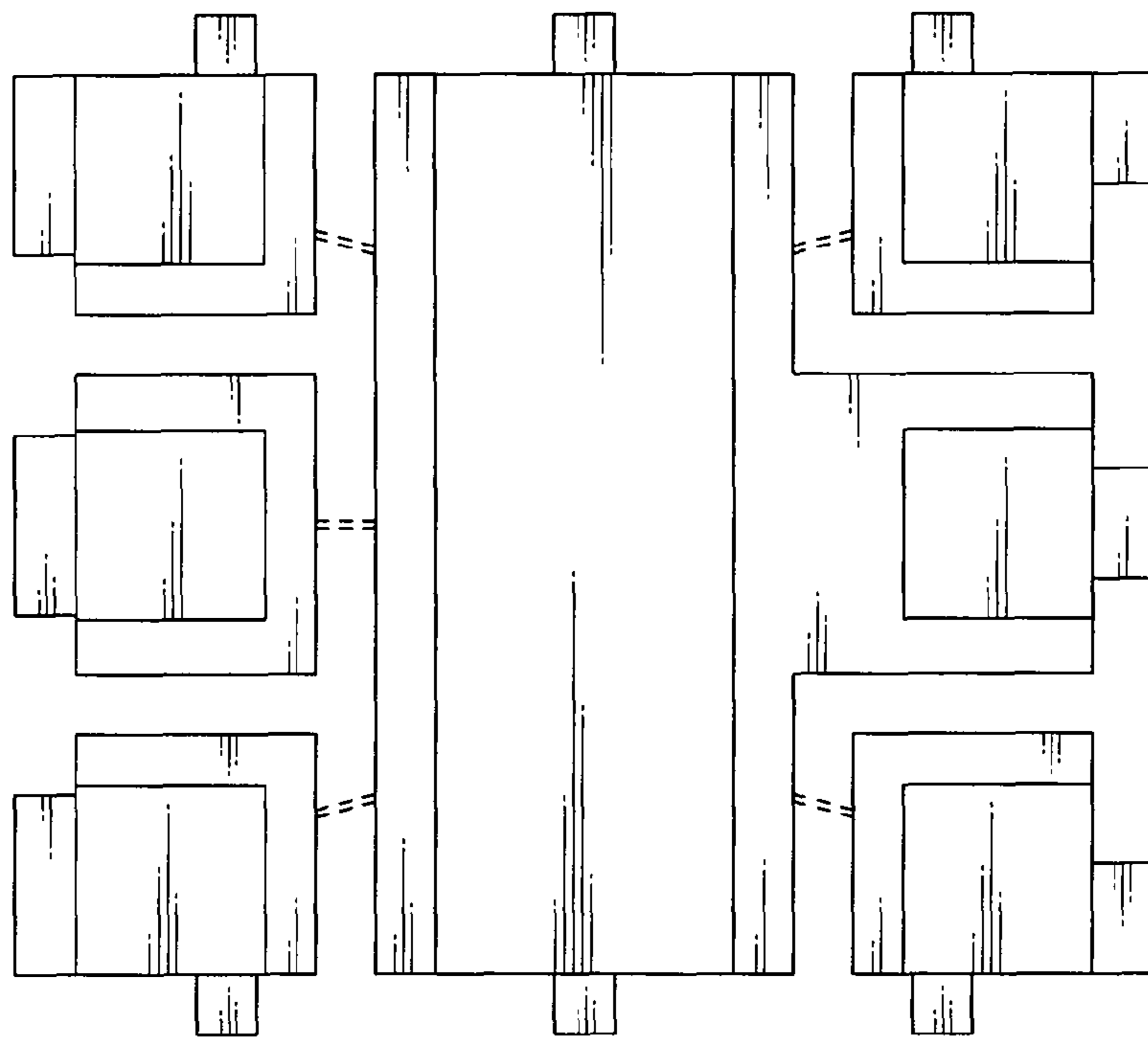


FIG.4

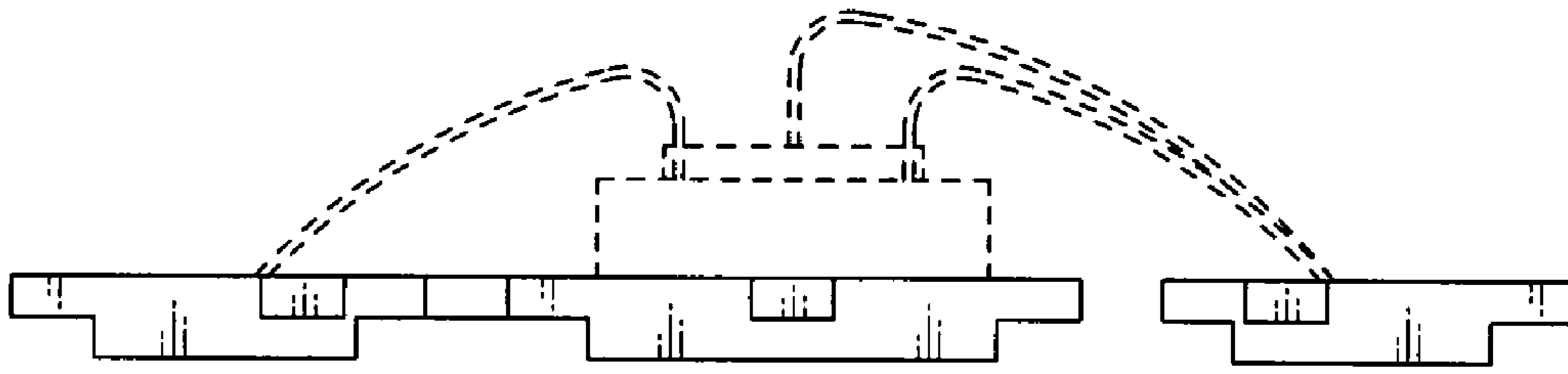


FIG. 5

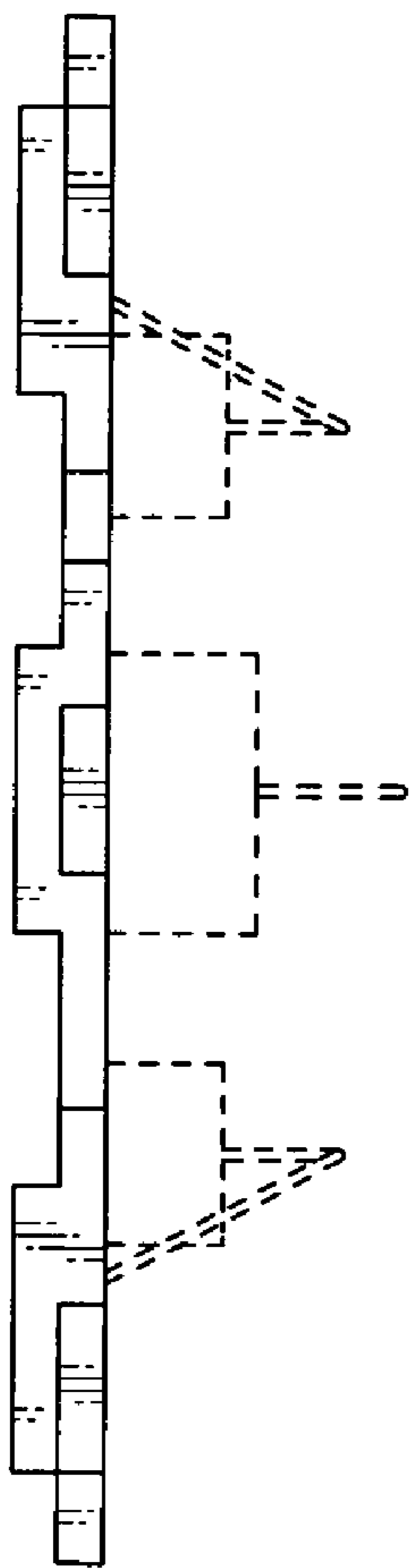


FIG. 7

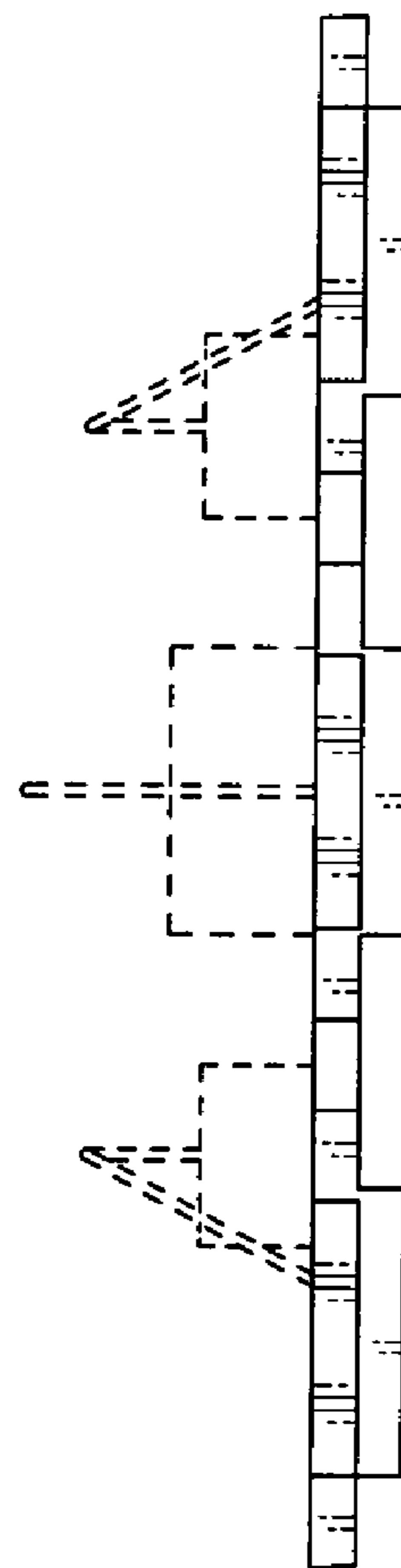


FIG. 6

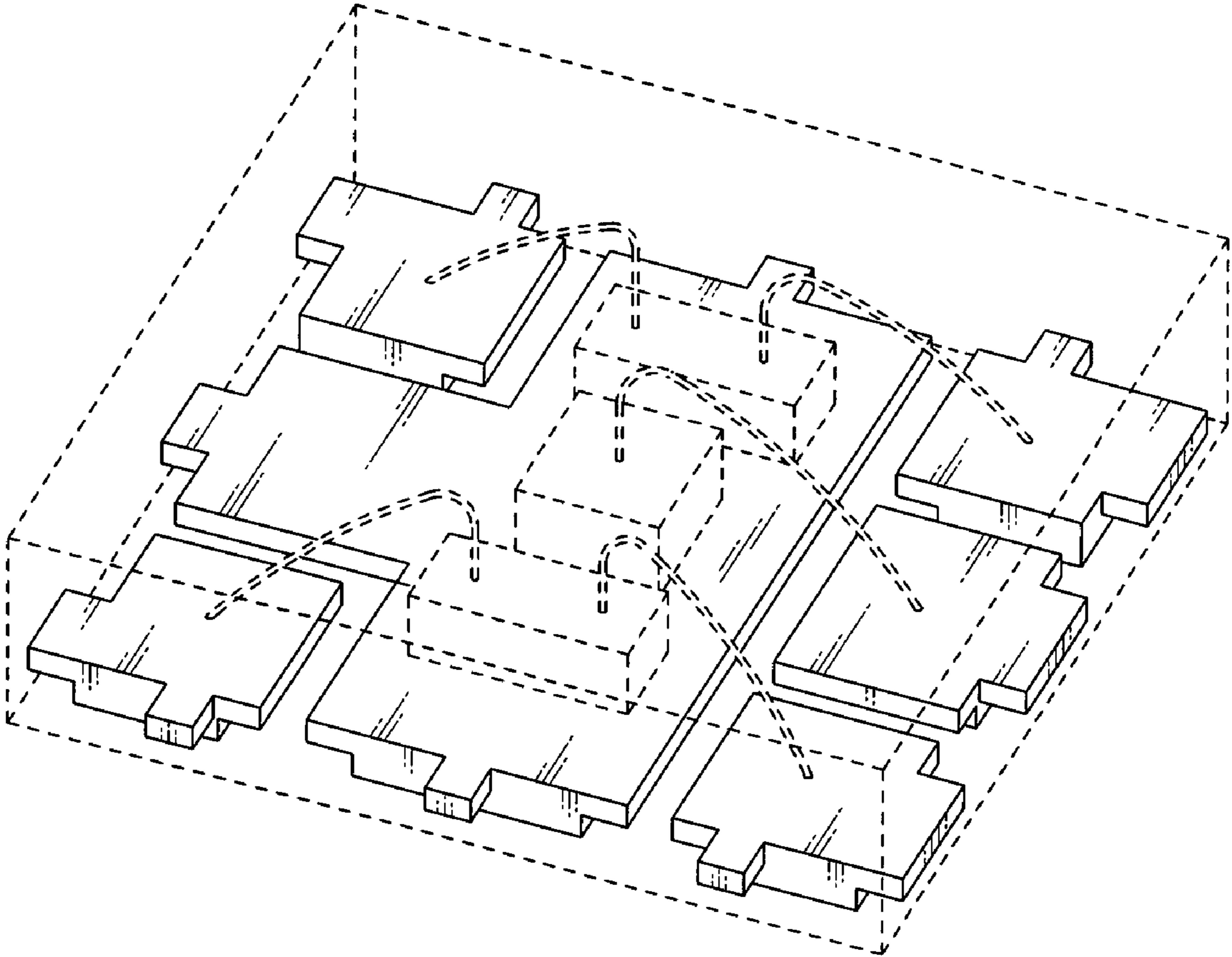


FIG.8

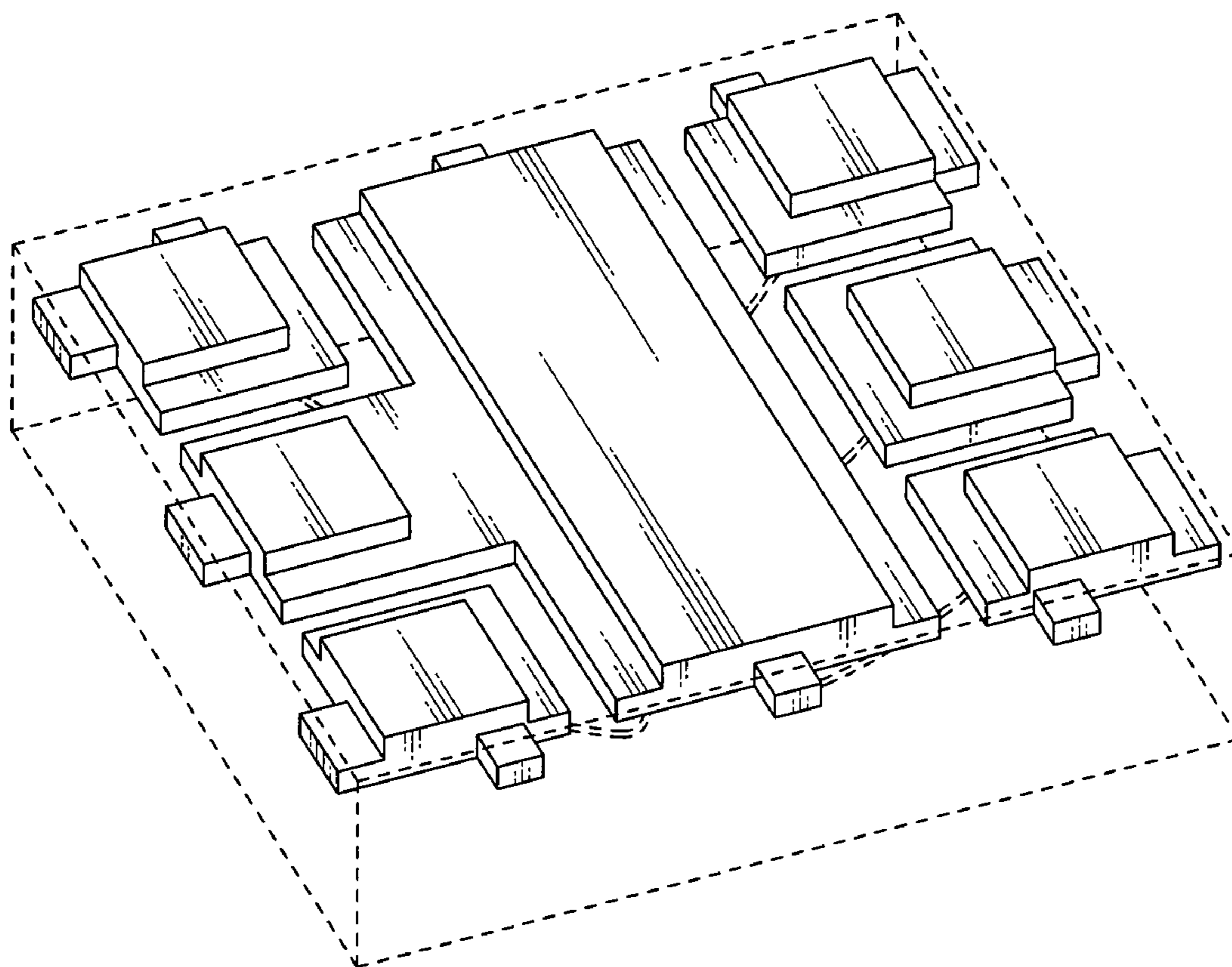


FIG. 9