



US00D624032S

(12) **United States Design Patent**  
**Takeuchi et al.**

(10) **Patent No.:** **US D624,032 S**  
(45) **Date of Patent:** **\*\* Sep. 21, 2010**

(54) **LIGHT-EMITTING DIODE**

(75) Inventors: **Teruo Takeuchi**, Kitakyushu (JP);  
**Tatsuo Tonedachi**, Kitakyushu (JP);  
**Kazuhisa Iwashita**, Kitakyushu (JP);  
**Satoshi Shimizu**, Kitakyushu (JP)

(73) Assignee: **Kabushiki Kaisha Toshiba**, Tokyo (JP)

(\*\*) Term: **14 Years**

(21) Appl. No.: **29/355,538**

(22) Filed: **Feb. 9, 2010**

(30) **Foreign Application Priority Data**

Oct. 16, 2009 (JP) ..... 2009-024370

(51) **LOC (9) Cl.** ..... **13-03**

(52) **U.S. Cl.** ..... **D13/180**

(58) **Field of Classification Search** ..... D13/180;  
D26/2; 257/79, 80, 81, 88, 89, 95, 98, 99,  
257/100, E33.058, 676, 678; 313/483, 498,  
313/500; 362/555, 800

See application file for complete search history.

(56) **References Cited**

**U.S. PATENT DOCUMENTS**

6,677,667 B1 \* 1/2004 Hong et al. .... 257/684

6,713,317 B2 \* 3/2004 Knapp et al. .... 438/106  
6,734,536 B2 \* 5/2004 Kobayakawa ..... 257/676  
7,298,034 B2 \* 11/2007 Carney et al. .... 257/686  
2002/0121684 A1 \* 9/2002 Kobayakawa ..... 257/676  
2003/0122225 A1 \* 7/2003 Fukui et al. .... 257/676  
2009/0057855 A1 \* 3/2009 Quinones et al. .... 257/676

\* cited by examiner

*Primary Examiner*—Selina Sikder

(74) *Attorney, Agent, or Firm*—Banner & Witcoff, Ltd.

(57) **CLAIM**

The ornamental design for a light-emitting diode, as shown and described.

**DESCRIPTION**

FIG. 1 is a front perspective view of a light-emitting diode, showing our new design;

FIG. 2 is a rear perspective view thereof;

FIG. 3 is a front elevational view thereof;

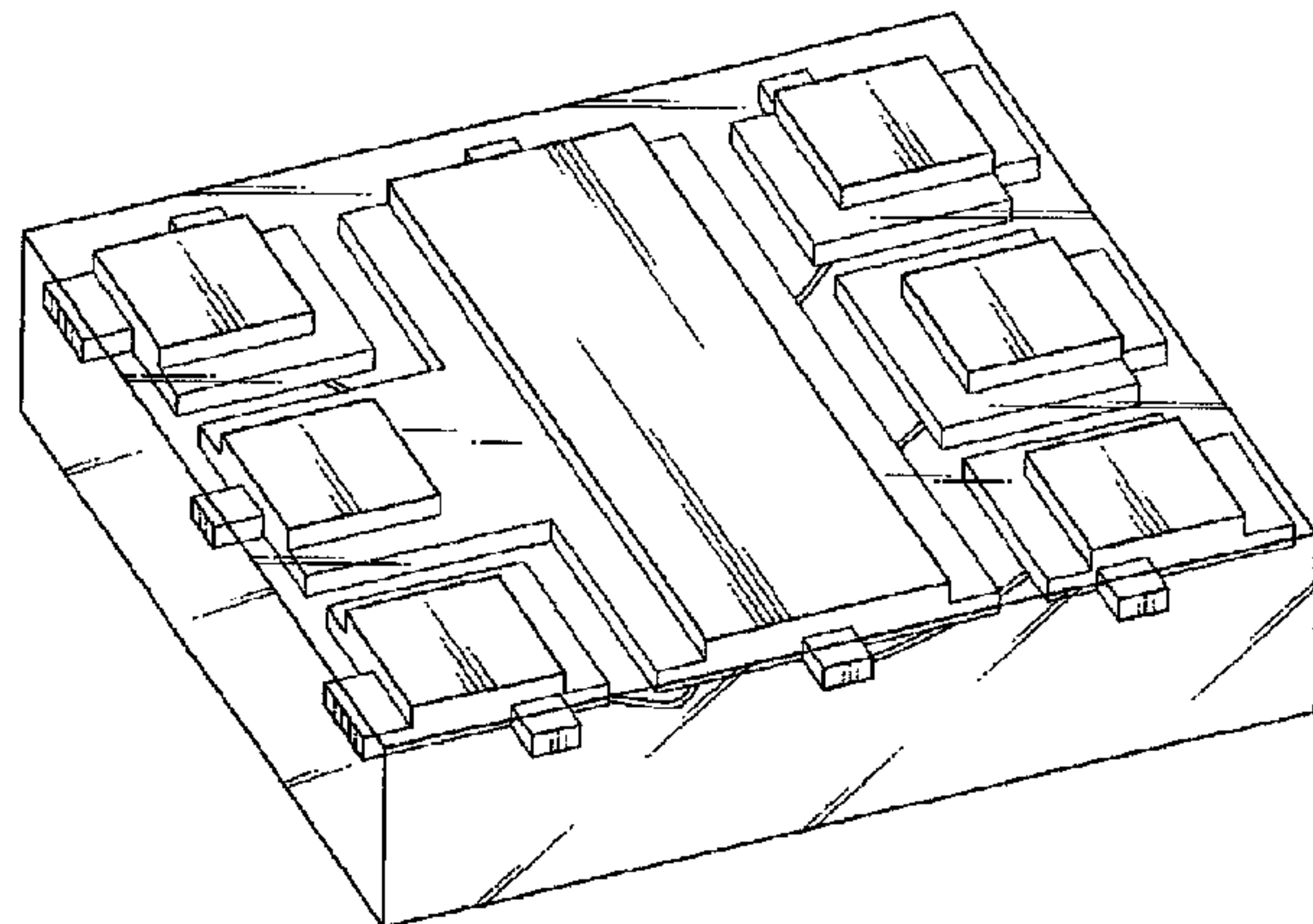
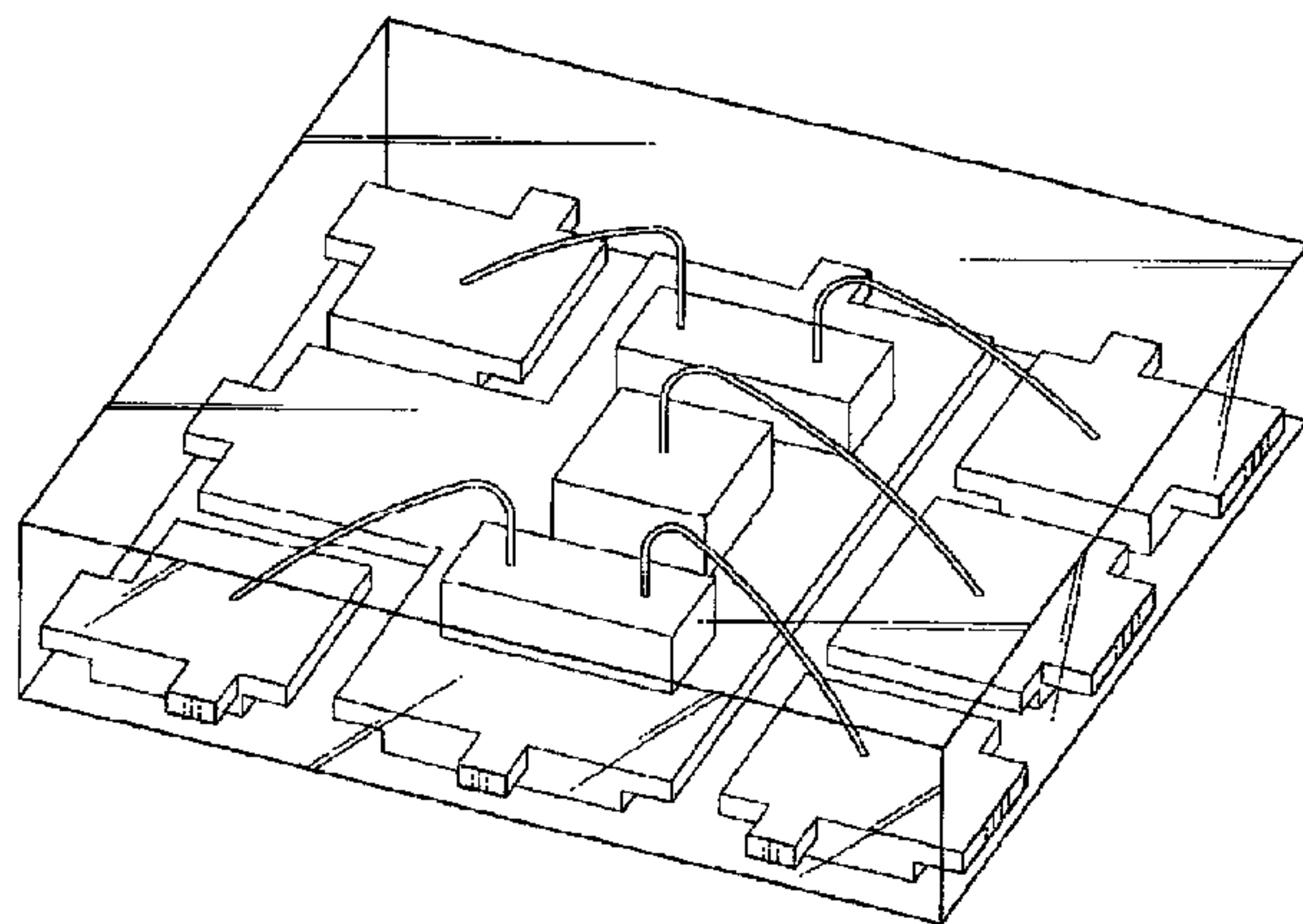
FIG. 4 is a rear elevational view thereof;

FIG. 5 is a bottom plan view thereof; the opposite side being a mirror image thereof;

FIG. 6 is a right side elevational view thereof; and,

FIG. 7 is a left side elevational view thereof.

**1 Claim, 4 Drawing Sheets**



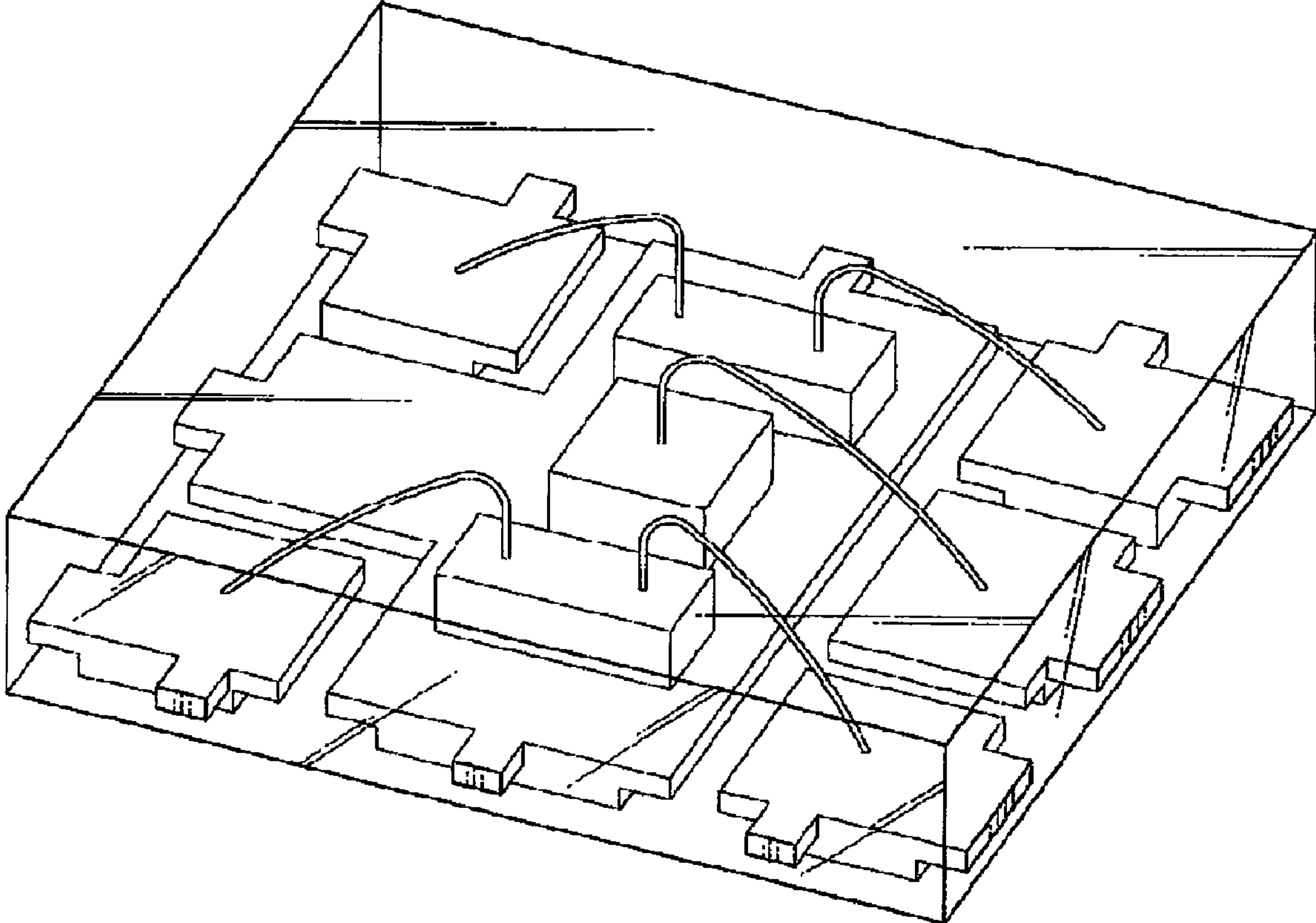


FIG.1

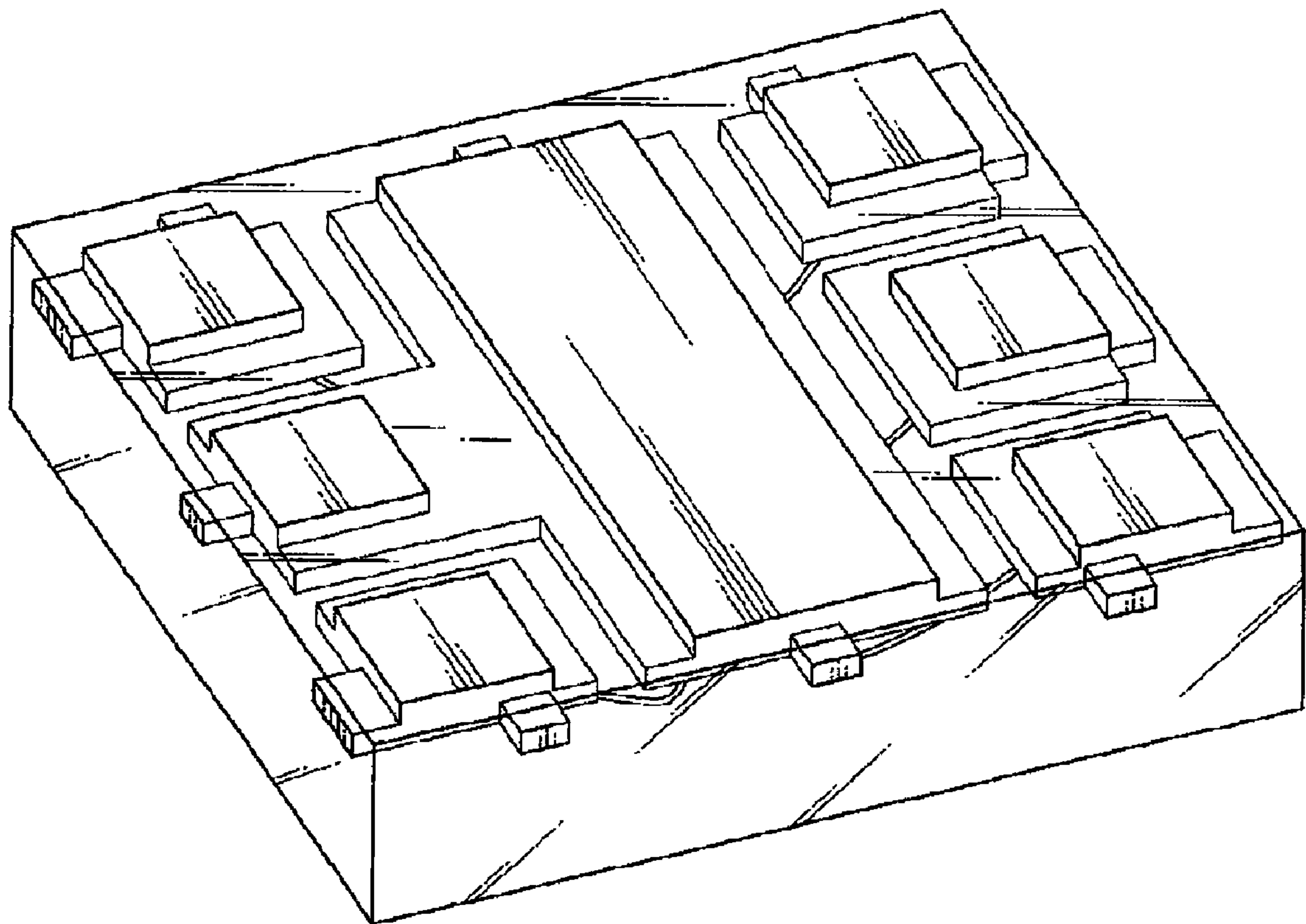


FIG.2

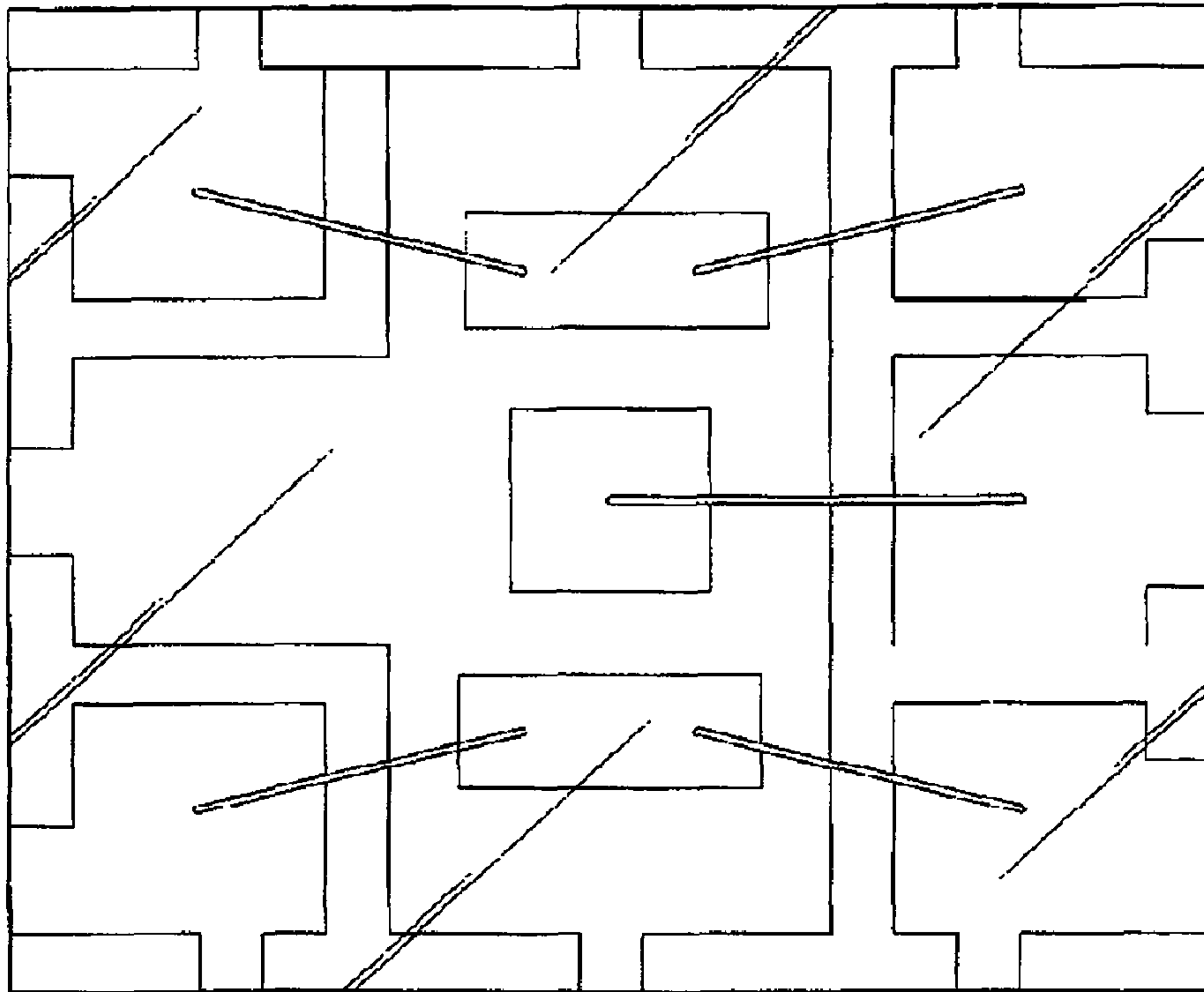


FIG.3

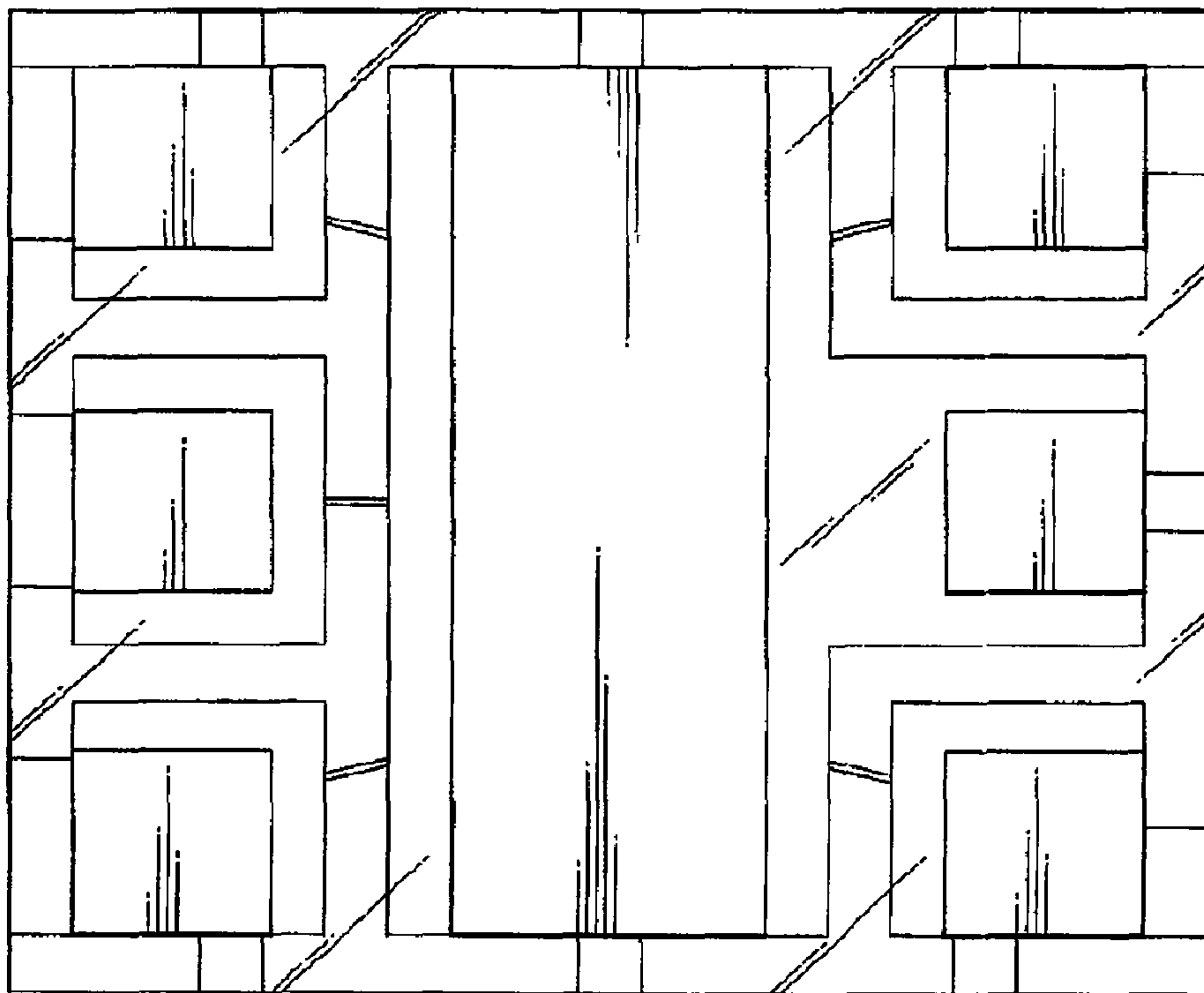


FIG.4

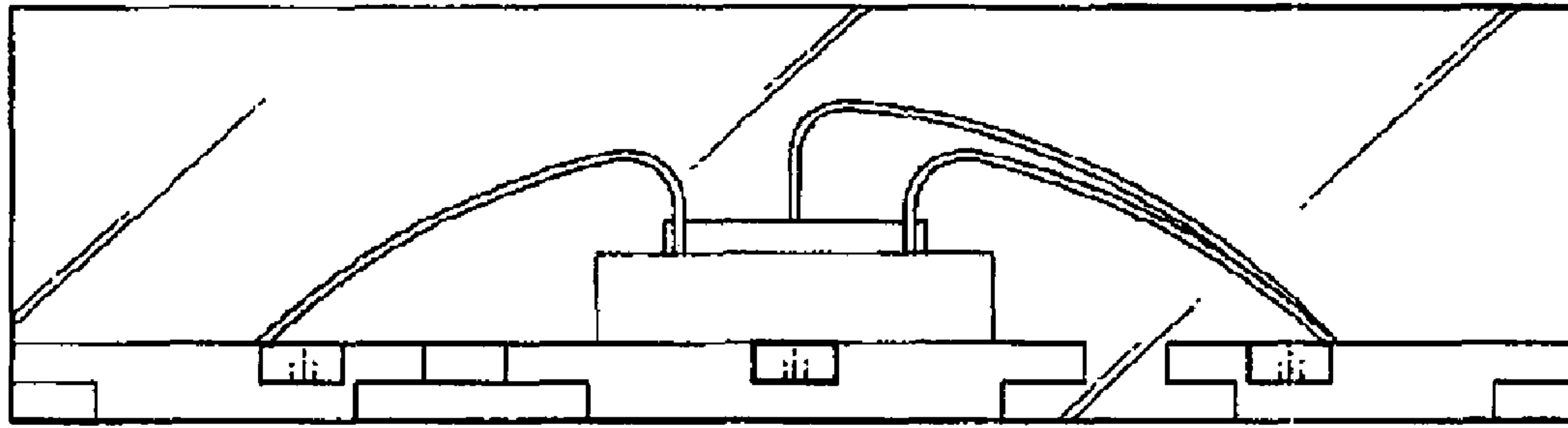


FIG. 5

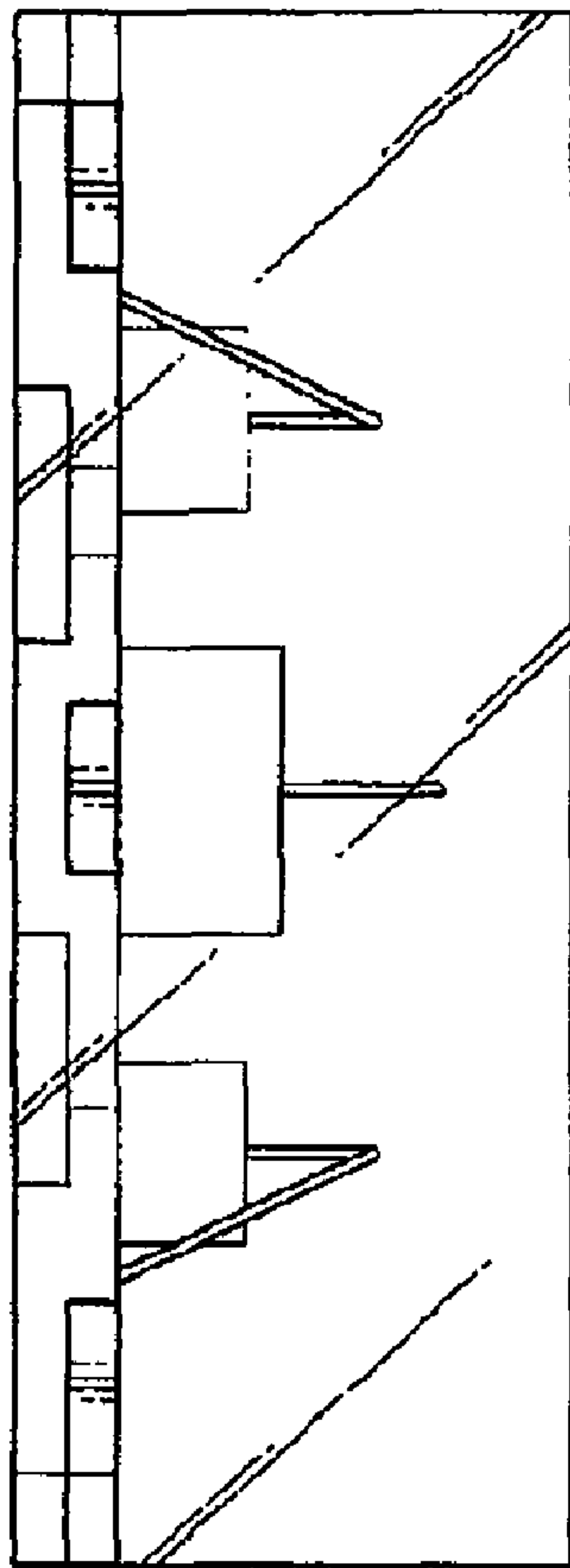


FIG. 7

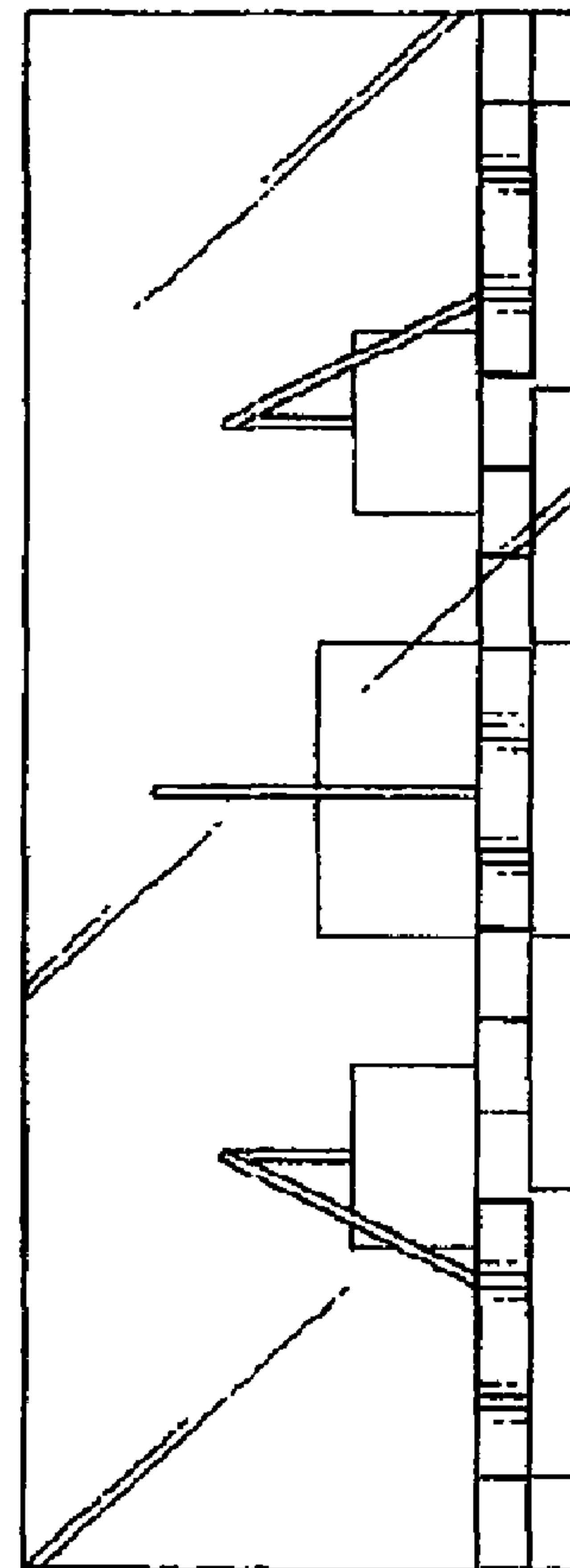


FIG. 6