

US00D624030S

(12) **United States Design Patent**
Lin

(10) **Patent No.:** **US D624,030 S**

(45) **Date of Patent:** **** Sep. 21, 2010**

(54) **LIGHT EMITTING DIODE**

D609,654 S * 2/2010 Hsieh D13/180

(75) Inventor: **Jung-Chiuan Lin**, Tucheng (TW)

(73) Assignee: **Everlight Electronics Co., Ltd.**,
Tucheng, Taipei County (TW)

(**) Term: **14 Years**

(21) Appl. No.: **29/351,802**

(22) Filed: **Dec. 11, 2009**

(51) **LOC (9) Cl.** **13-03**

(52) **U.S. Cl.** **D13/180**

(58) **Field of Classification Search** D13/180;
D26/2; 257/79, 80, 81, 88, 89, 95, 98, 99,
257/100, E33.058; 313/483, 498, 500; 362/555,
362/800

See application file for complete search history.

(56) **References Cited**

U.S. PATENT DOCUMENTS

D500,294 S *	12/2004	Ishida	D13/180
D508,468 S *	8/2005	Ishida	D13/180
6,953,952 B2 *	10/2005	Asakawa	257/103
D512,693 S *	12/2005	Kim et al.	D13/180
D528,998 S *	9/2006	Song et al.	D13/180
D529,452 S *	10/2006	Kim et al.	D13/180
D533,517 S *	12/2006	Kim et al.	D13/180
D546,783 S *	7/2007	Yoon et al.	D13/180
7,242,035 B2 *	7/2007	Kim et al.	257/99
D552,046 S *	10/2007	Kim et al.	D13/180
D580,893 S *	11/2008	Im	D13/180
7,566,159 B2 *	7/2009	Oon et al.	362/612
D602,883 S *	10/2009	Oon et al.	D13/180

FOREIGN PATENT DOCUMENTS

JP	D1309515	9/2007
JP	D1340557	9/2008
KR	30-0419278	7/2006
KR	30-0433055	12/2006
KR	30-0434255	12/2006
KR	30-0464944	10/2007

* cited by examiner

Primary Examiner—Selina Sikder

(74) *Attorney, Agent, or Firm*—Thomas, Kayden,
Horstemeyer & Risley

(57) **CLAIM**

The ornamental design for a light emitting diode, as shown and described.

DESCRIPTION

FIG. 1 is a perspective view of light emitting diode the showing the claimed design;

FIG. 2 is a front elevational view thereof;

FIG. 3 is a rear elevational view thereof;

FIG. 4 is a left side elevational view thereof;

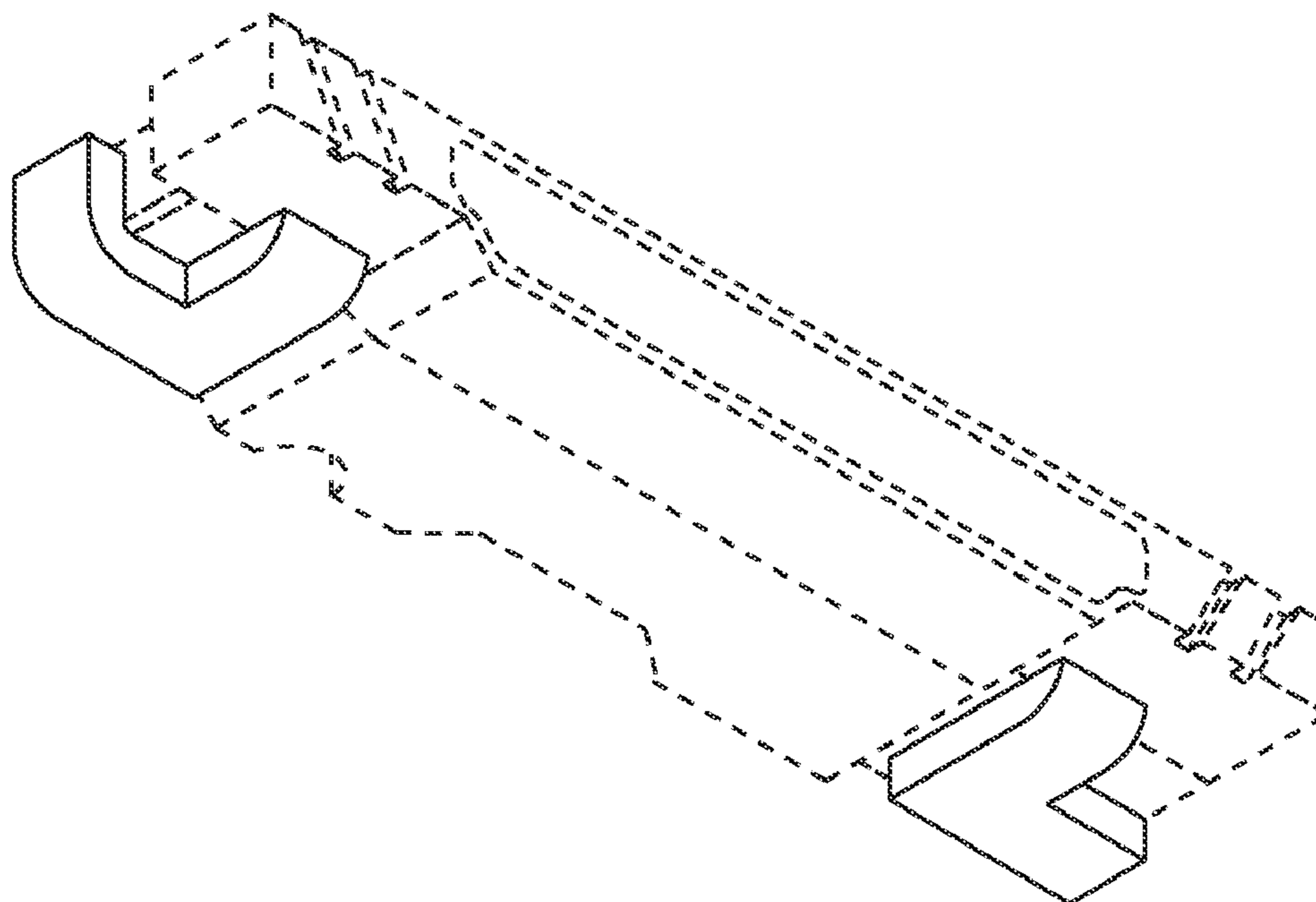
FIG. 5 is a right side elevational view thereof;

FIG. 6 is a top plan view thereof; and,

FIG. 7 is a bottom plan view thereof.

The broken lines are directed to environmental features and are for illustrative purpose only; the broken lines form no part of the claimed design.

1 Claim, 4 Drawing Sheets



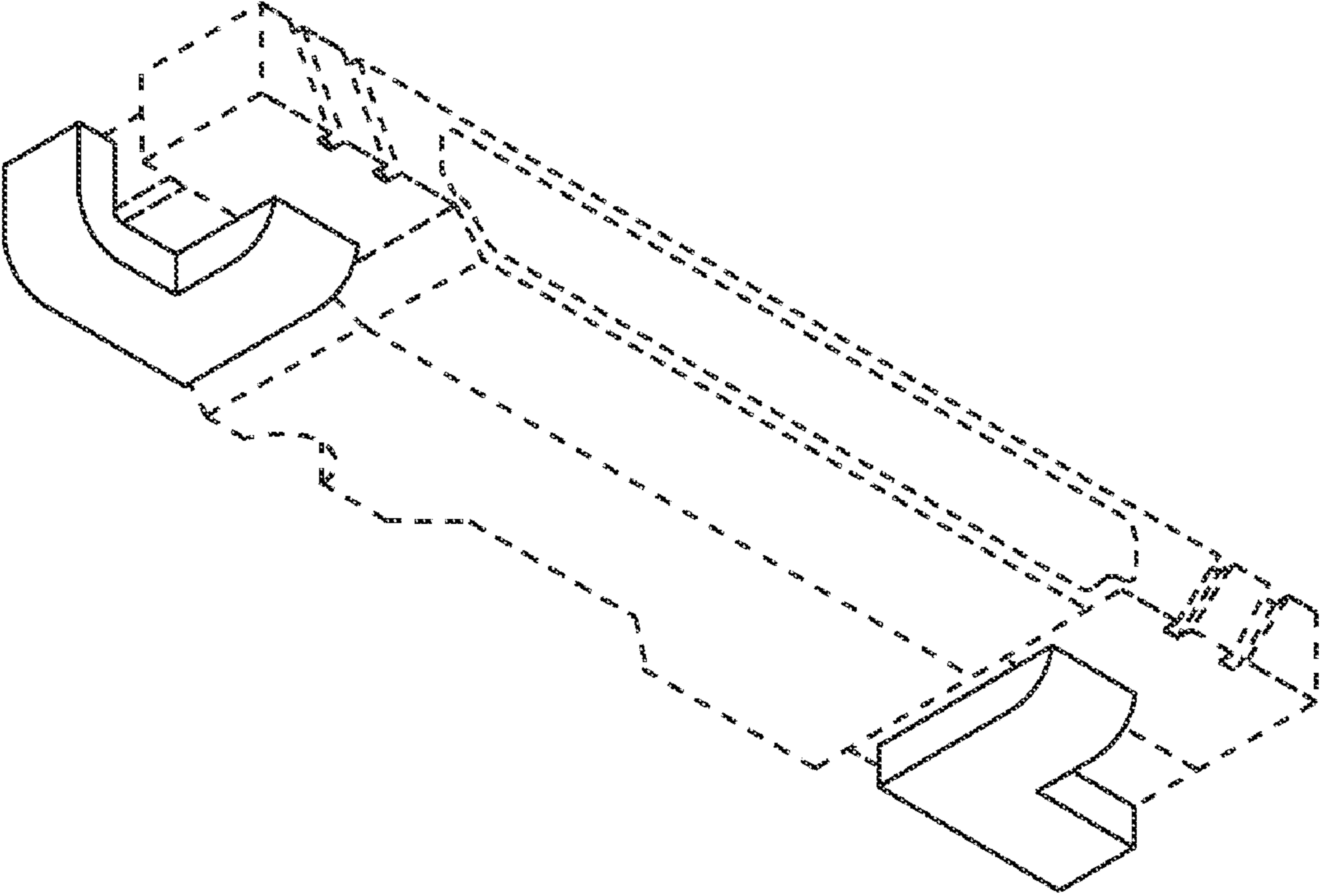


FIG.1



FIG. 2

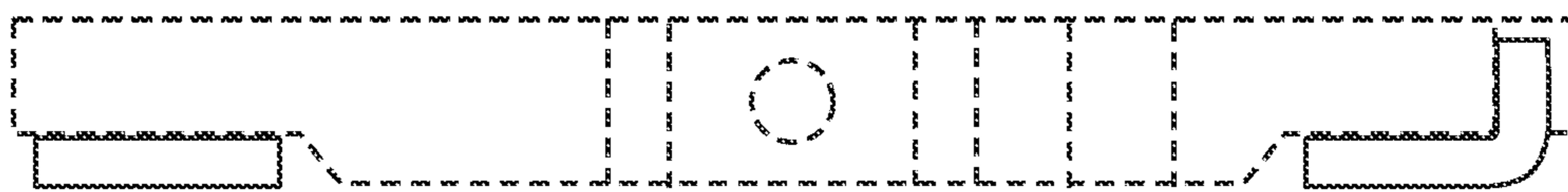


FIG. 3

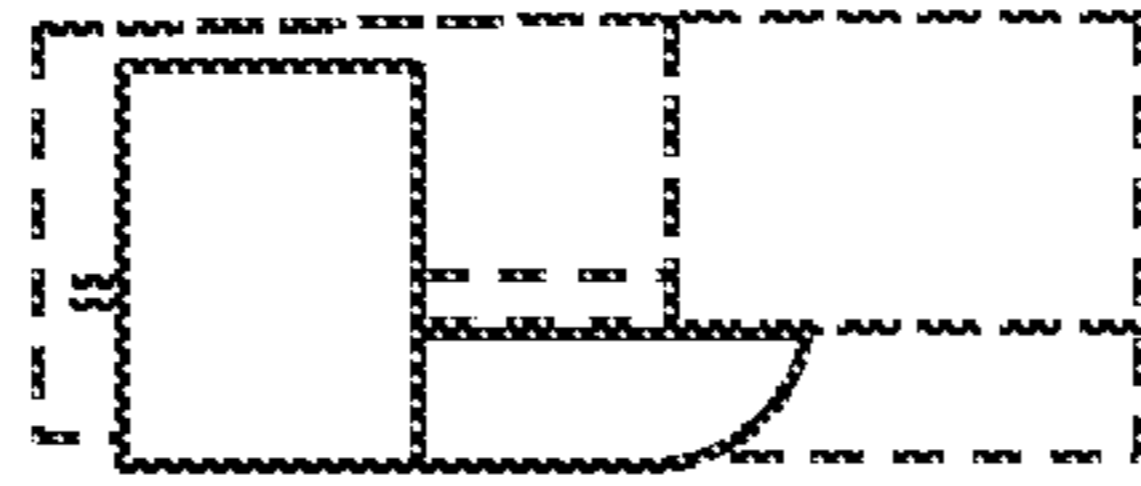


FIG.4

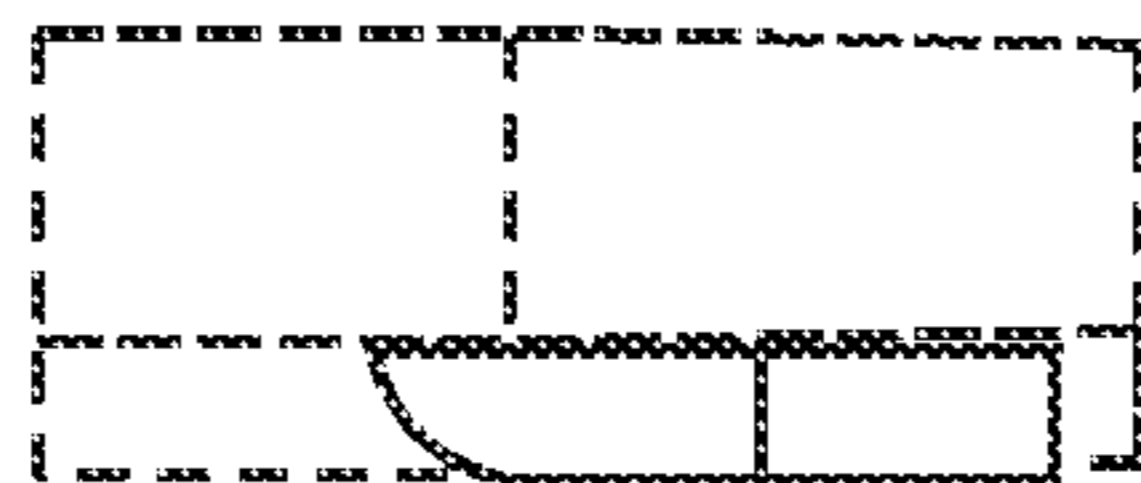


FIG.5

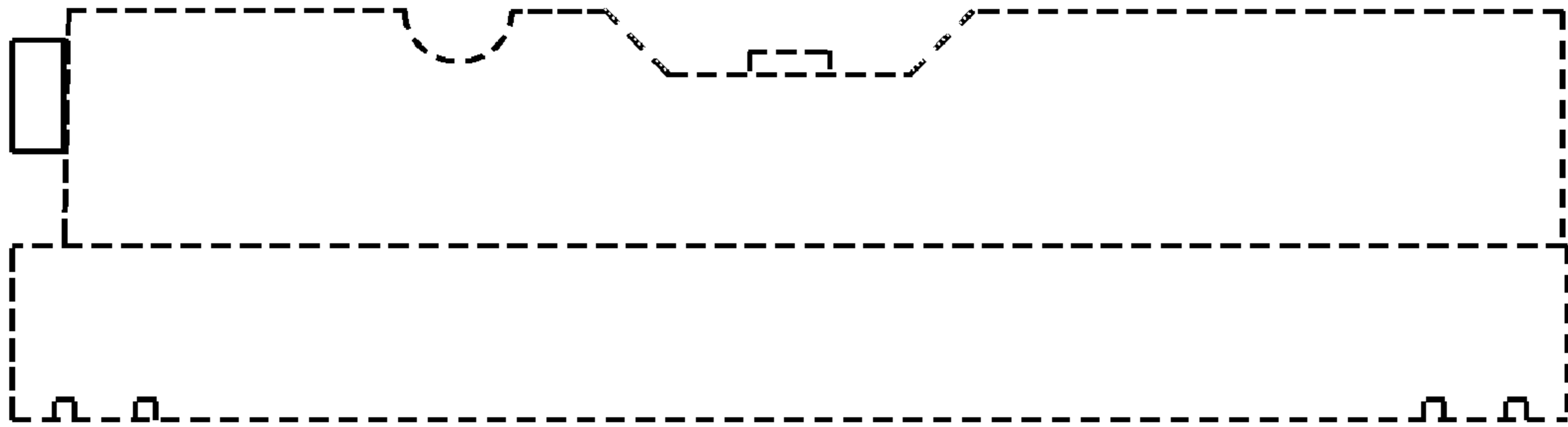


FIG. 6

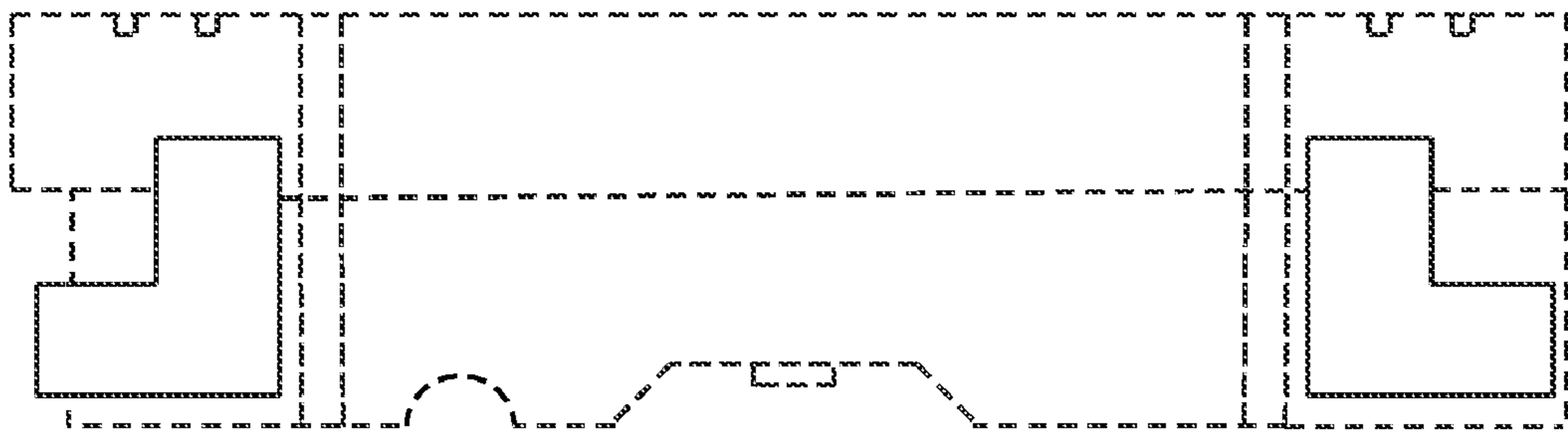


FIG. 7