

US00D624029S

(12) **United States Design Patent**  
**Panaccione et al.**

(10) **Patent No.:** **US D624,029 S**

(45) **Date of Patent:** **\*\* Sep. 21, 2010**

(54) **LED PACKAGE**

(75) Inventors: **Paul Panaccione**, Newburyport, MA (US); **Christian Hoepfner**, North Andover, MA (US); **Georgia Chmielewski**, Plaistow, NH (US); **John W. Graff**, Swampscott, MA (US); **Robert F. Karlicek**, Chelmsford, MA (US); **Daniel Mendoza**, Pelham, NH (US); **Michael Denninger**, Belmont, MA (US)

(73) Assignee: **Luminus Devices, Inc.**, Billerica, MA (US)

(\*\*) Term: **14 Years**

(21) Appl. No.: **29/285,428**

(22) Filed: **Mar. 29, 2007**

(51) **LOC (9) Cl.** ..... **13-03**

(52) **U.S. Cl.** ..... **D13/180**

(58) **Field of Classification Search** ..... D13/180;  
D8/382; 257/79, 80, 81, 88, 89, 95, 98, 99,  
257/100; 313/483, 498, 500; 362/555, 800;  
174/153 G; 361/679.01, 728, 736, 740, 816;  
29/593; 411/509

See application file for complete search history.

(56) **References Cited**

**U.S. PATENT DOCUMENTS**

3,859,711 A \* 1/1975 McKiddy ..... 29/593  
4,858,866 A \* 8/1989 Werner ..... 248/213.3  
5,880,930 A \* 3/1999 Wheaton ..... 361/690  
6,074,315 A \* 6/2000 Yimoyines ..... 473/539

6,385,048 B2 \* 5/2002 Mellberg et al. .... 361/704  
6,442,045 B1 \* 8/2002 Goodwin et al. .... 361/816  
6,456,506 B1 \* 9/2002 Lin ..... 361/816  
6,998,744 B2 \* 2/2006 Tsergas ..... 310/83  
7,081,645 B2 7/2006 Chen et al.  
7,105,861 B2 9/2006 Erchak et al.  
7,170,100 B2 1/2007 Erchak et al.  
2006/0055309 A1 \* 3/2006 Ono et al. .... 313/492  
2006/0091416 A1 \* 5/2006 Yan ..... 257/99  
2007/0045640 A1 3/2007 Erchak et al.  
2007/0085082 A1 \* 4/2007 Erchak et al. .... 257/79  
2007/0115556 A1 5/2007 Erchak et al.  
2007/0267642 A1 11/2007 Erchak et al.

\* cited by examiner

*Primary Examiner*—Selina Sikder

(74) *Attorney, Agent, or Firm*—Wolf, Greenfield & Sacks, P.C.

(57) **CLAIM**

The ornamental design for a LED package, as shown and described.

**DESCRIPTION**

FIG. 1 is a side, top perspective view of an LED package showing our new design;

FIG. 2 is a top view thereof;

FIG. 3 is a right side view;

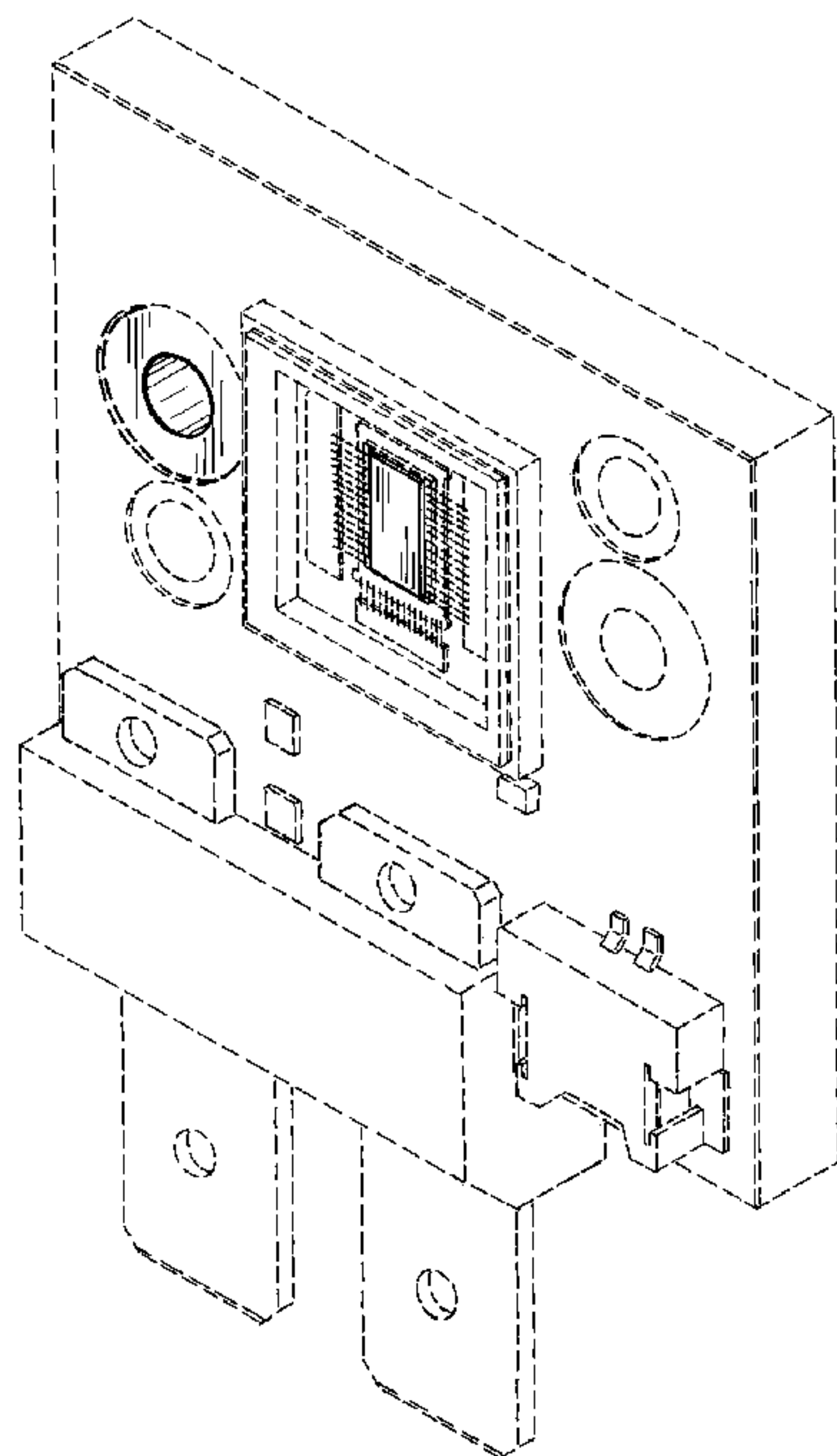
FIG. 4 is a left side view;

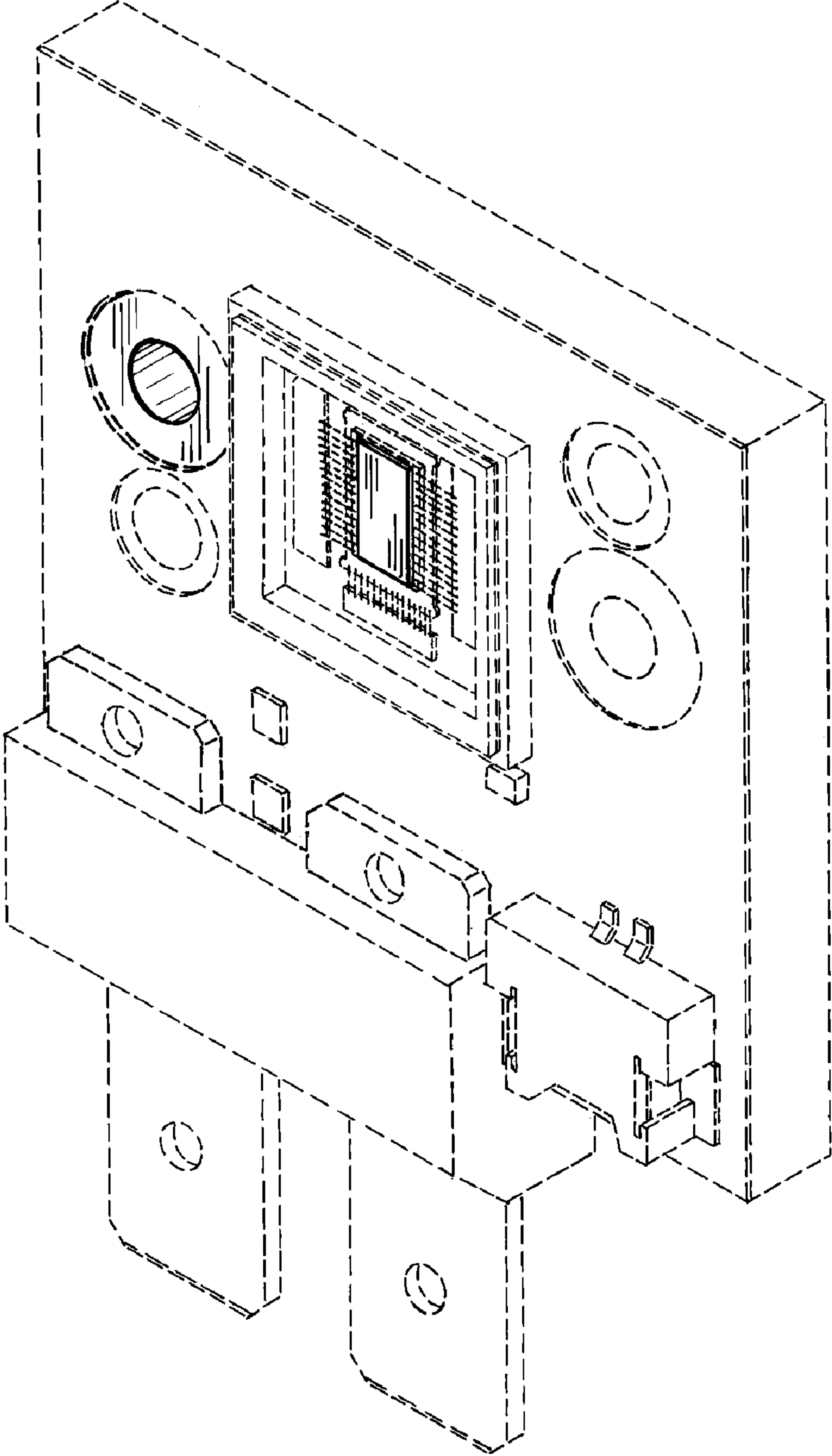
FIG. 5 is a front view; and,

FIG. 6 is a rear view.

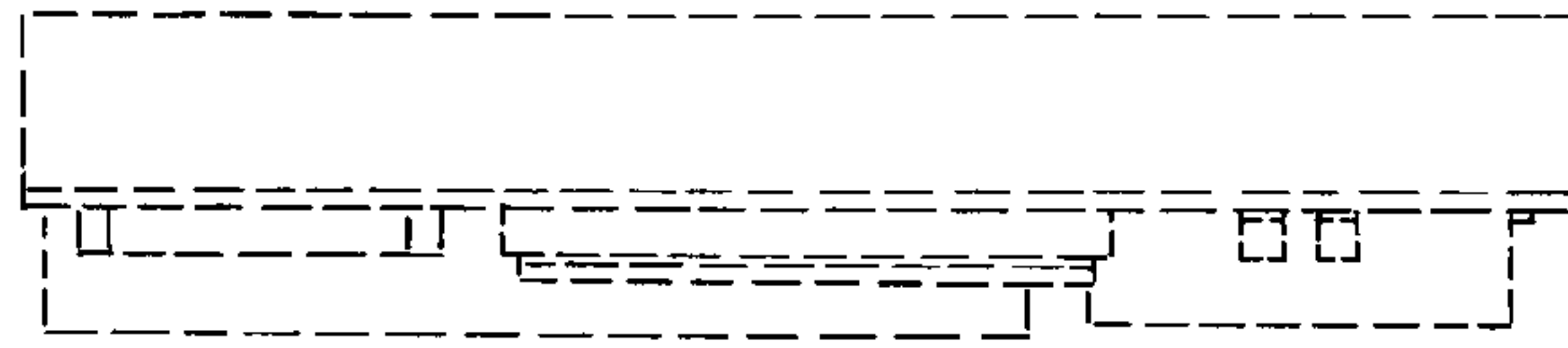
The broken lines represent unclaimed subject matter.

**1 Claim, 2 Drawing Sheets**

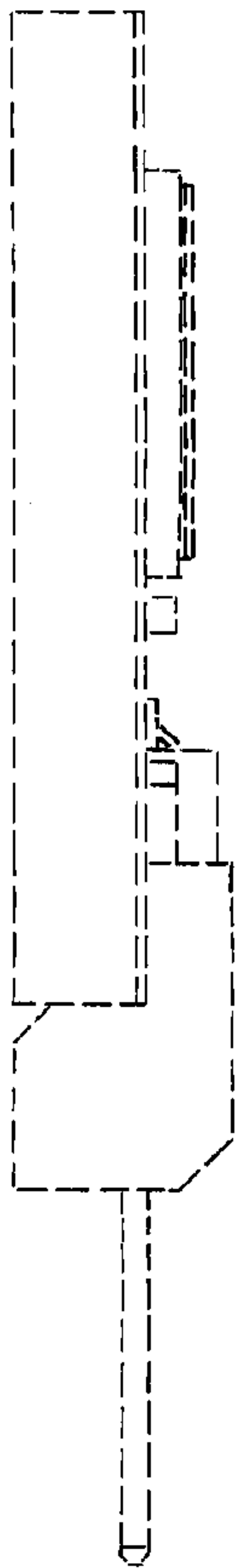




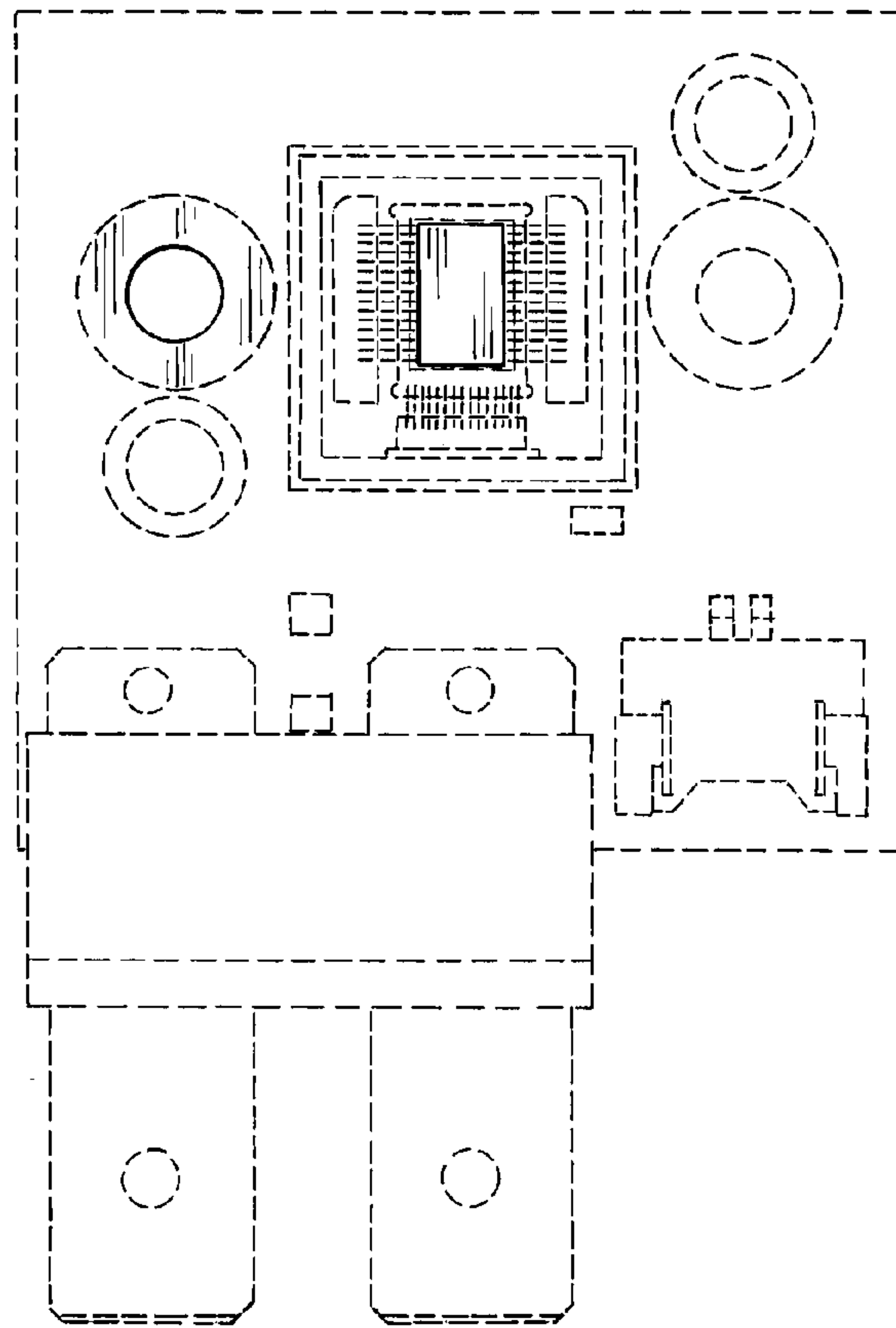
*Fig. 1*



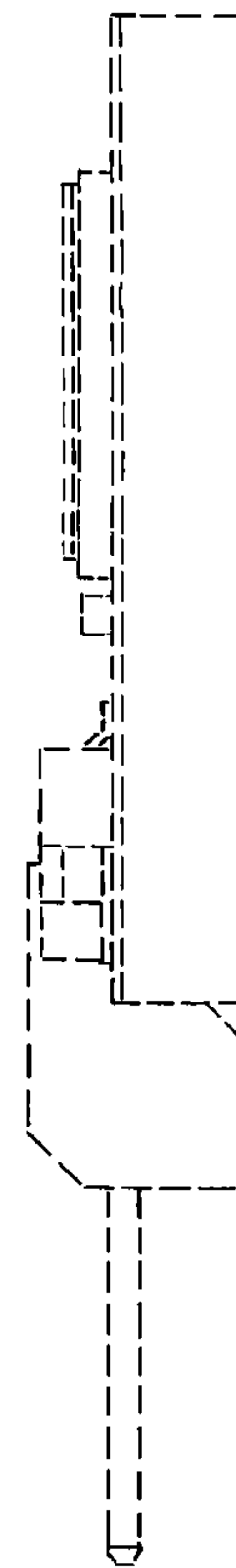
*Fig. 5*



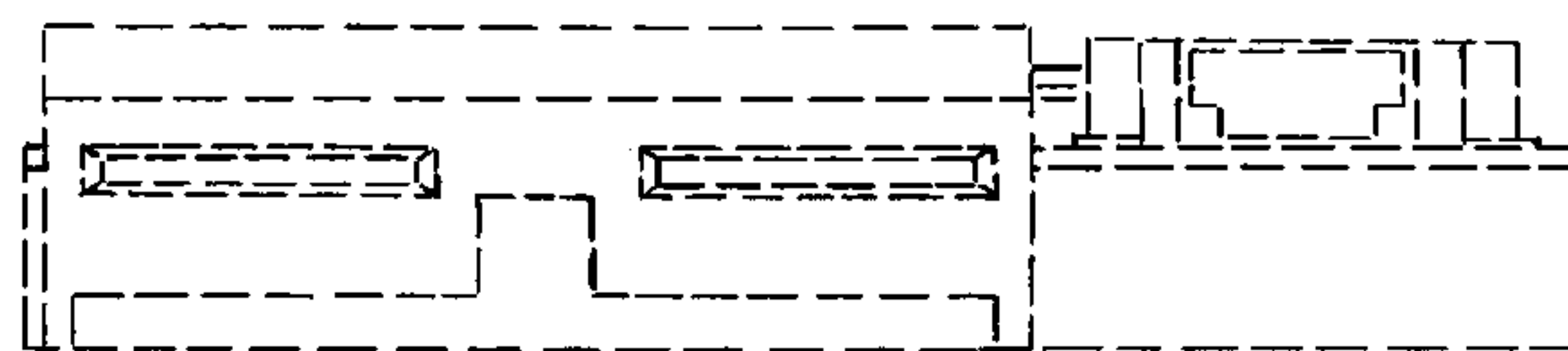
*Fig. 3*



*Fig. 2*



*Fig. 4*



*Fig. 6*