



US00D624024S

(12) **United States Design Patent**
Amidon

(10) **Patent No.:** **US D624,024 S**

(45) **Date of Patent:** **** Sep. 21, 2010**

(54) **RCA CONNECTOR**

2008/0248688 A1* 10/2008 Amidon 439/578

(75) Inventor: **Jeremy Amidon**, Marcellus, NY (US)

* cited by examiner

(73) Assignee: **John Mezzalingua Associates, Inc.**, E. Syracuse, NY (US)

Primary Examiner—Daniel D Bui
(74) *Attorney, Agent, or Firm*—Schmeiser, Olsen & Watts LLP

(**) Term: **14 Years**

(21) Appl. No.: **29/353,044**

(22) Filed: **Dec. 31, 2009**

(57) **CLAIM**

The ornamental design for an RCA connector, as shown and described.

(51) **LOC (9) Cl.** **13-03**

(52) **U.S. Cl.** **D13/154; D13/133**

(58) **Field of Classification Search** D13/133,
D13/154, 184; 439/578, 583, 584, 668, 669,
439/675, 751, 825, 851

See application file for complete search history.

DESCRIPTION

FIG. 1 is a front perspective view showing my design for an RCA connector;

FIG. 2 is a top view thereof, the claimed portion of which is a mirror image to a bottom view;

FIG. 3 is a right side view thereof, the claimed portion of which is a mirror image to a left side view;

FIG. 4 is a front view thereof, on a larger scale; and,

FIG. 5 is a rear view thereof.

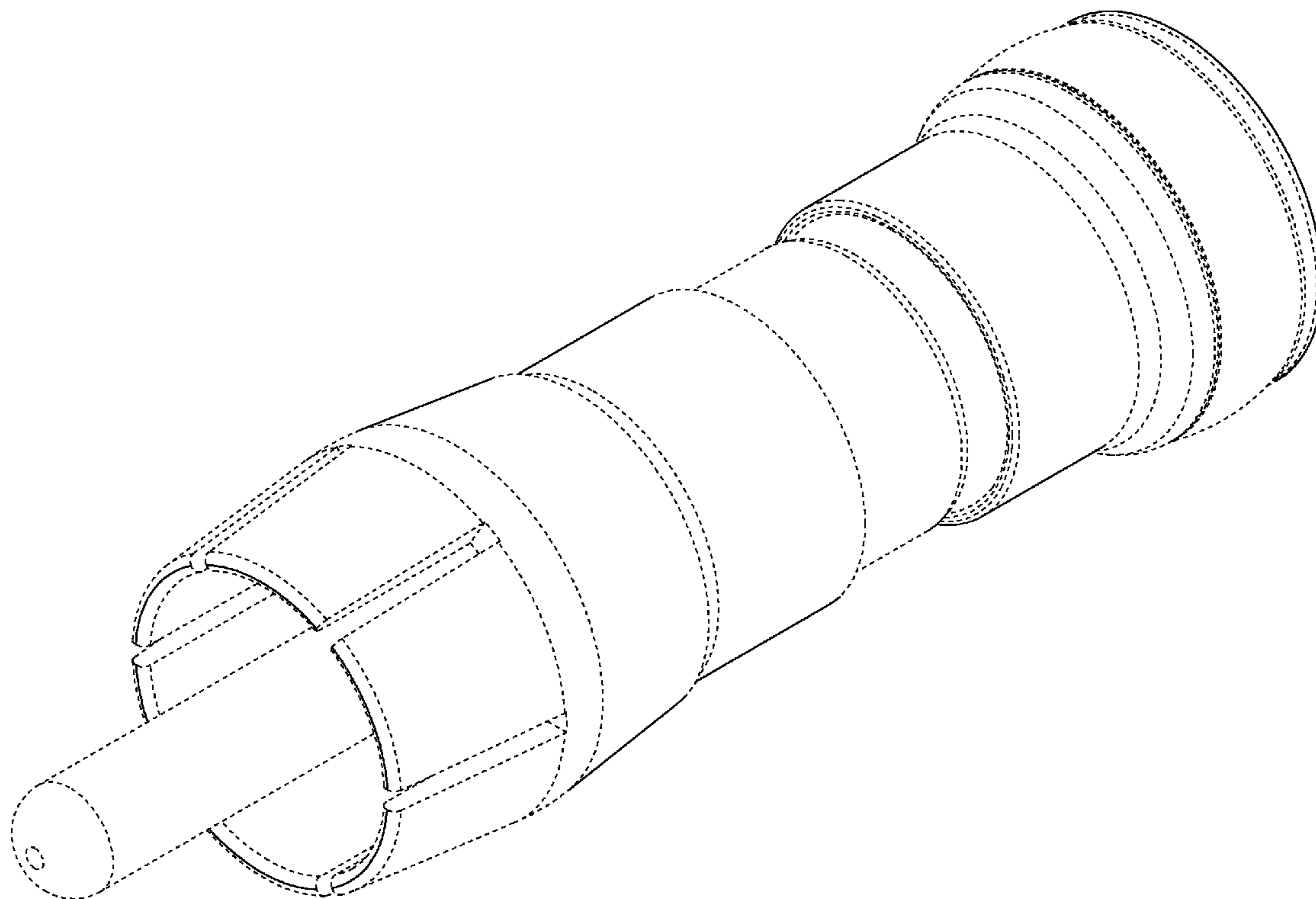
The broken line portion of the figure drawings is included to show unclaimed subject matter only and forms no part of the claimed design.

(56) **References Cited**

U.S. PATENT DOCUMENTS

D325,023	S	*	3/1992	Lee et al.	D13/133
D367,036	S	*	2/1996	Lee	D13/133
D371,762	S	*	7/1996	Lee	D13/133
D376,580	S	*	12/1996	Lee	D13/133
D403,302	S	*	12/1998	Awbrey	D13/133
D450,297	S	*	11/2001	Lee	D13/133
D530,669	S	*	10/2006	Shing	D13/133

1 Claim, 5 Drawing Sheets



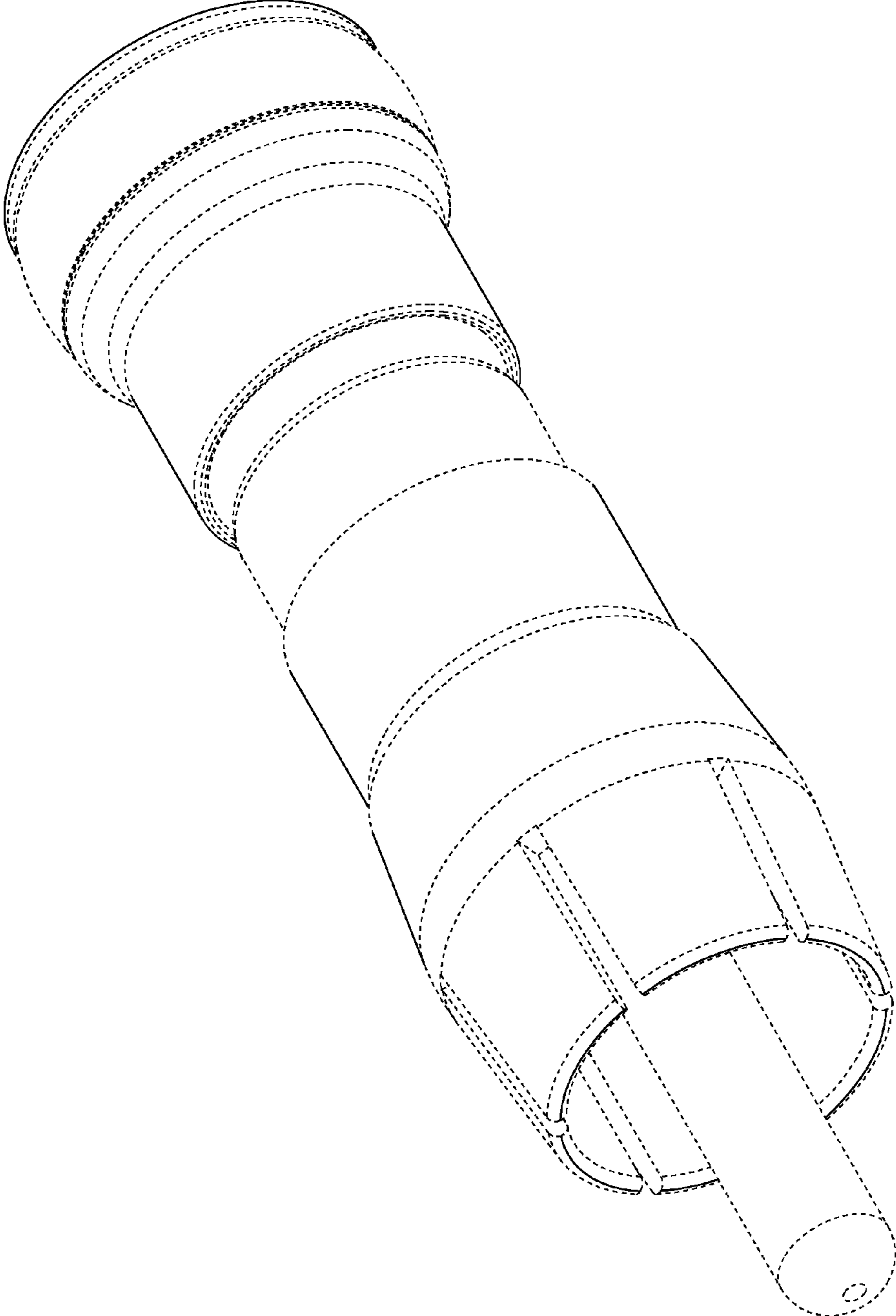


FIG.1

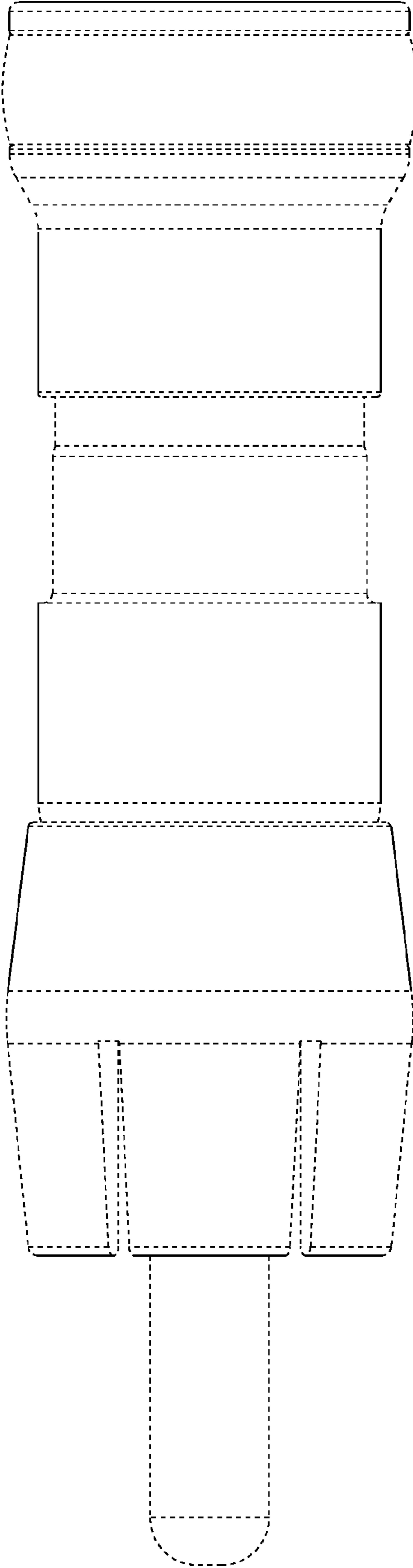


FIG.3

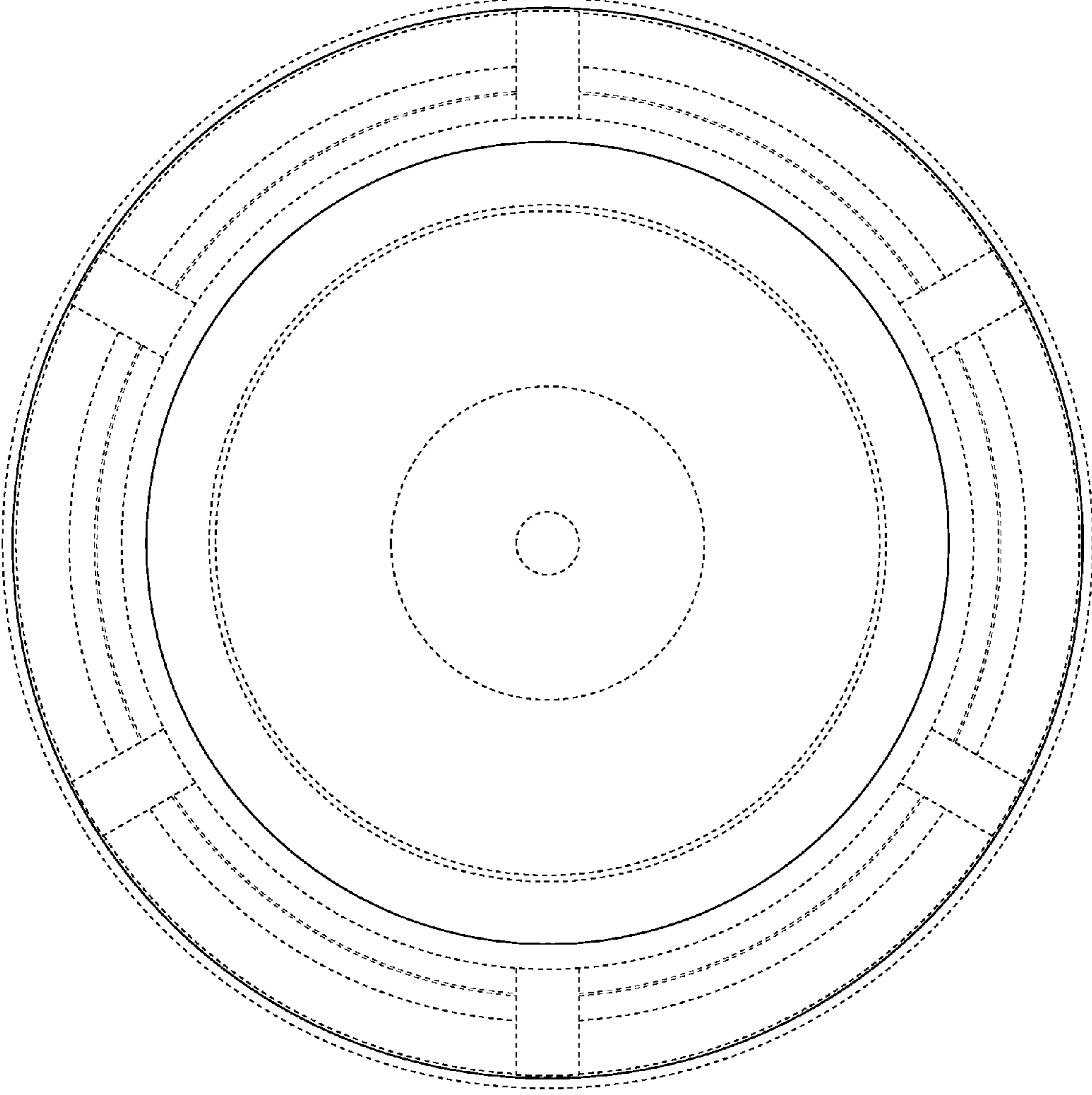


FIG.4

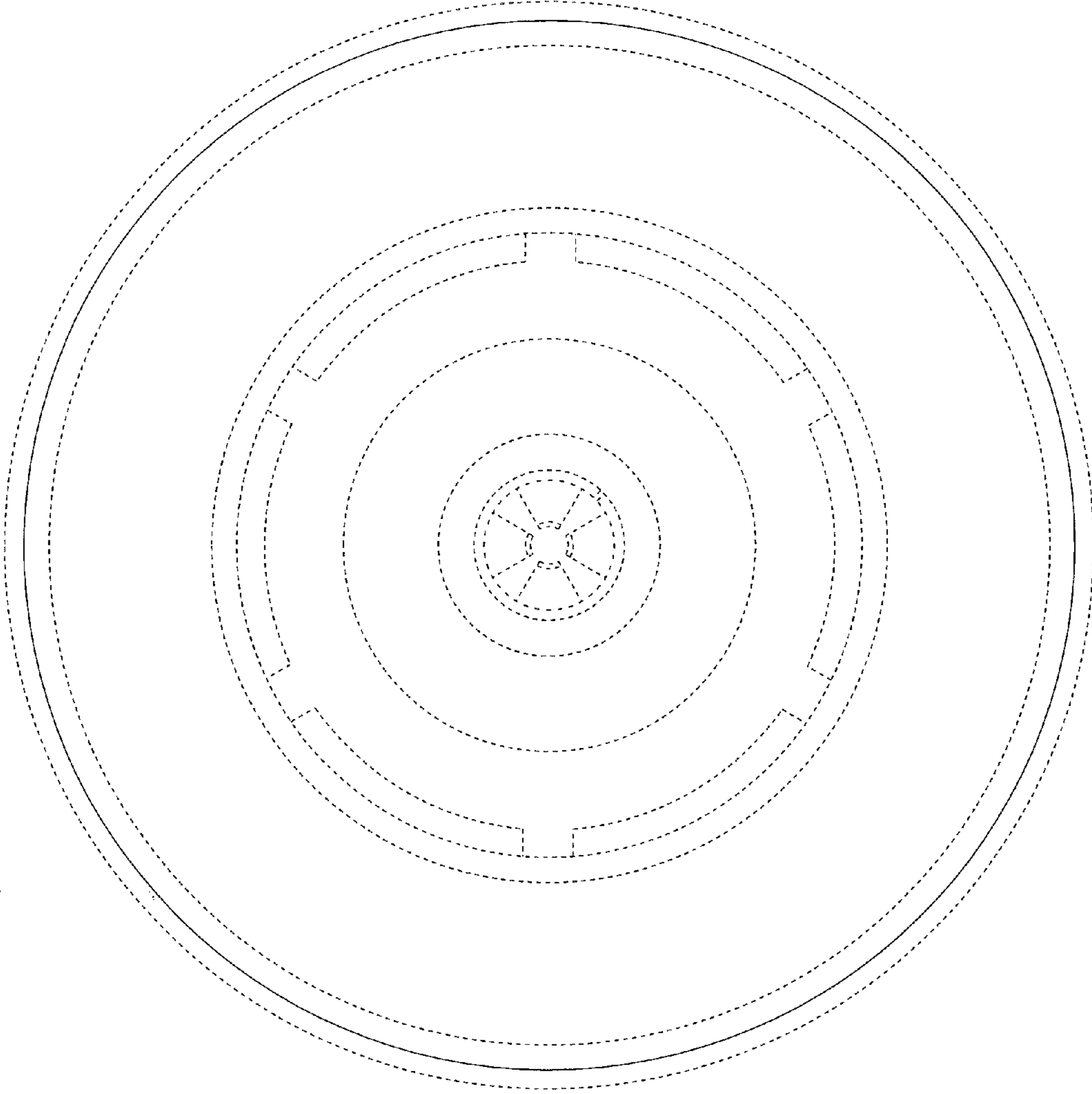


FIG.5