



US00D624023S

(12) **United States Design Patent**
Rodrigues et al.

(10) **Patent No.:** **US D624,023 S**

(45) **Date of Patent:** **** Sep. 21, 2010**

(54) **COAXIAL CONNECTOR**

(75) Inventors: **Julio Rodrigues**, Collierville, TN (US);
Harold Watkins, Horseheads, NY (US);
Dan Fitzwater, Gillett, PA (US); **Tom Young**, Elmira, NY (US)

(73) Assignee: **Thomas & Betts International, Inc.**,
Wilmington, DE (US)

(**) Term: **14 Years**

(21) Appl. No.: **29/348,972**

(22) Filed: **Feb. 25, 2010**

(51) **LOC (9) Cl.** **13-03**

(52) **U.S. Cl.** **D13/154; D13/151**

(58) **Field of Classification Search** D13/133,
D13/149, 151, 153, 154, 156, 184, 199; 439/133,
439/321, 322, 578, 583, 584, 585, 668.79,
439/248, 258, 274, 350, 352, 353, 358, 359,
439/362, 378, 445, 447, 656, 660, 676, 677,
439/678, 679, 680, 681, 682, 686; 411/7,
411/11; 426/507; 28/828; 307/10.1; 333/81 A;
D8/303

See application file for complete search history.

(56) **References Cited**

U.S. PATENT DOCUMENTS

3,104,145	A	9/1963	Somerset	339/103
3,710,005	A	1/1973	French		
D233,991	S	12/1974	Smith et al.	D13/3
4,834,675	A	5/1989	Samchisen		
4,990,106	A	2/1991	Szegda		
5,002,503	A	3/1991	Campbell et al.		
D355,641	S *	2/1995	Down	D13/151
5,501,616	A	3/1996	Holliday		
D371,342	S	7/1996	Lundback	213/151
6,153,830	A	11/2000	Montena		
D458,904	S	6/2002	Montena	D13/154
D460,739	S	7/2002	Fox	D13/154
D460,740	S	7/2002	Montena	D13/154
D462,060	S	8/2002	Fox	D13/154
D475,975	S	6/2003	Fox	D13/151

D505,391	S	5/2005	Rodrigues et al.	D13/151
D514,071	S *	1/2006	Vahey	D13/154
D519,076	S	4/2006	Fox	D13/133
D551,173	S	9/2007	Rodrigues et al.	D13/154
D597,959	S	8/2009	Malloy	D13/151
D601,095	S	9/2009	Rodrigues	D13/151
D605,135	S	12/2009	Malloy	D13/151
D605,136	S *	12/2009	Amidon	D13/151
D605,595	S	12/2009	Thomas	D13/133
D606,494	S *	12/2009	Holliday	D13/133
D610,998	S *	3/2010	Purdy et al.	D13/151
2010/0130061	A1 *	5/2010	Snyder et al.	439/584

OTHER PUBLICATIONS

Evolution Products—www.evolutionbb.com/
ShowProductsConnectors—Mar. 20, 2008 LRC—Snap-N-Seal—“F” Series Male, Indoor Connector—2001.

* cited by examiner

Primary Examiner—Daniel D Bui

Assistant Examiner—Thomas J Johannes

(74) *Attorney, Agent, or Firm*—G. Andrew Barger

(57) **CLAIM**

The ornamental design for a coaxial connector, as shown and described.

DESCRIPTION

FIG. 1 is a front perspective view of the coaxial connector of the present invention;

FIG. 2 is a back perspective view thereof;

FIG. 3 is a first plan view thereof;

FIG. 4 is a second plan view thereof;

FIG. 5 is a third plan view thereof;

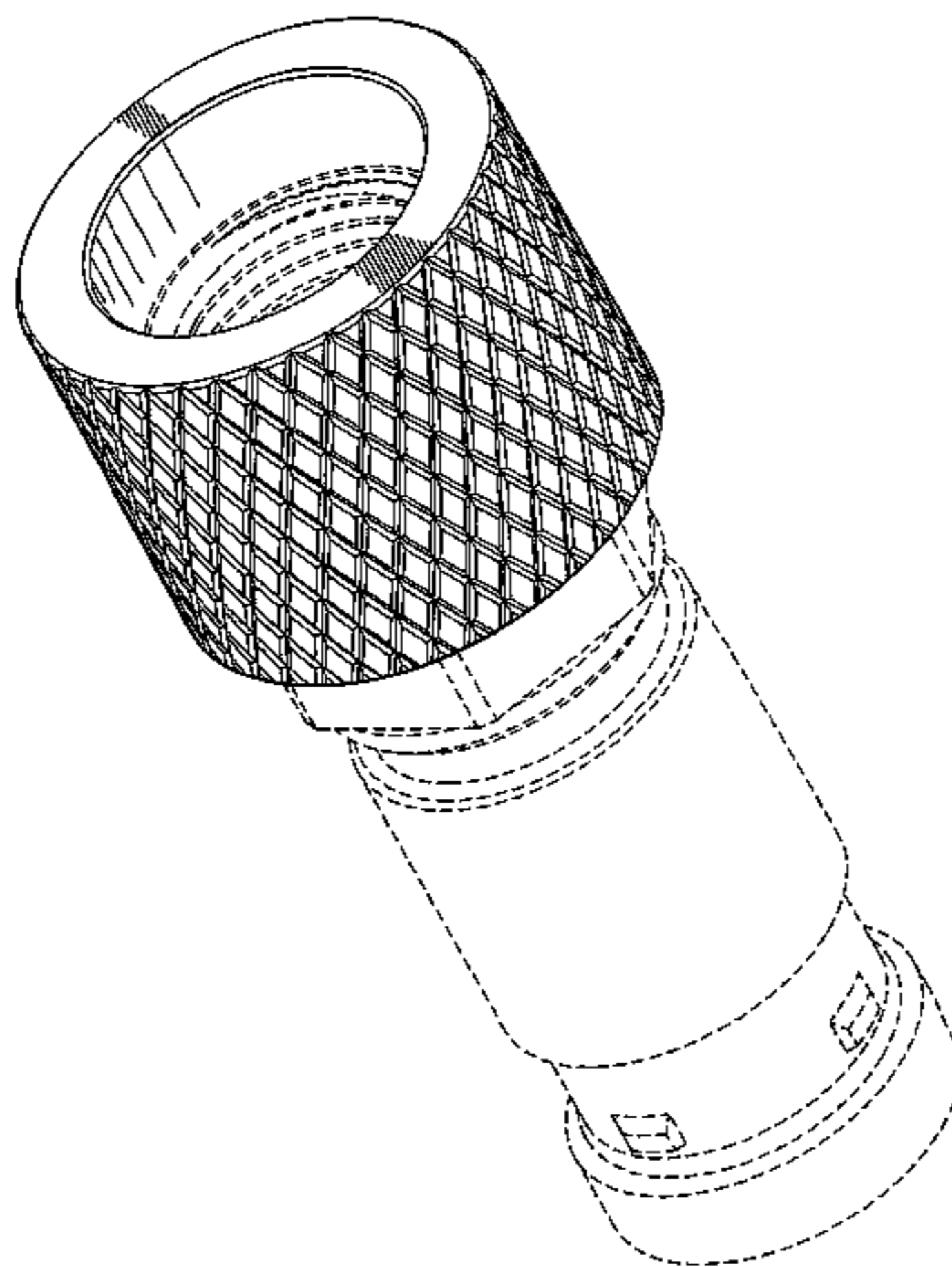
FIG. 6 is a fourth plan view thereof;

FIG. 7 is a top plan view thereof; and,

FIG. 8 is a bottom plan view thereof.

The broken line portion of the figure drawings is included to show unclaimed subject matter only and forms no part of the claimed design.

1 Claim, 5 Drawing Sheets



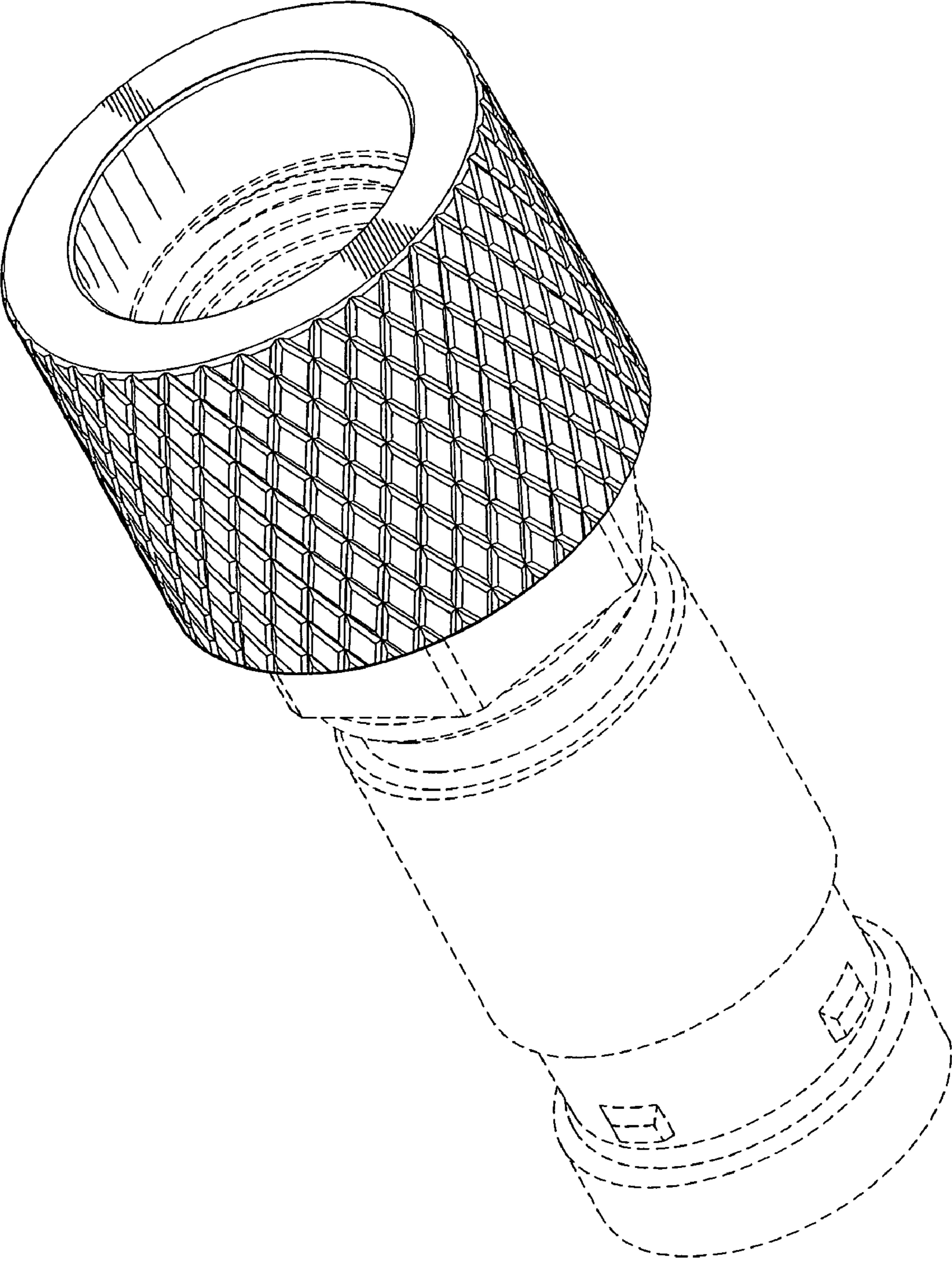


FIG. 1

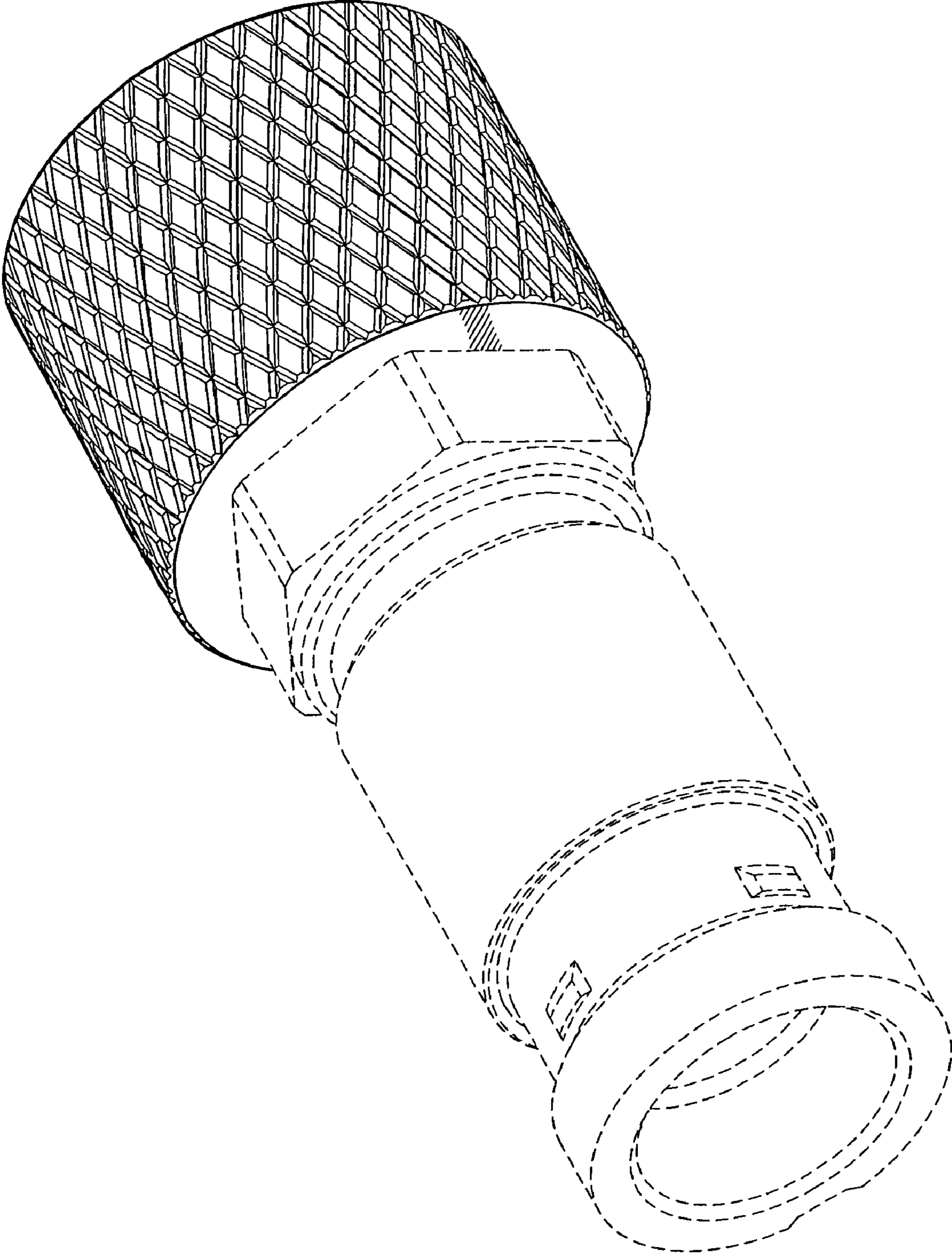


FIG. 2

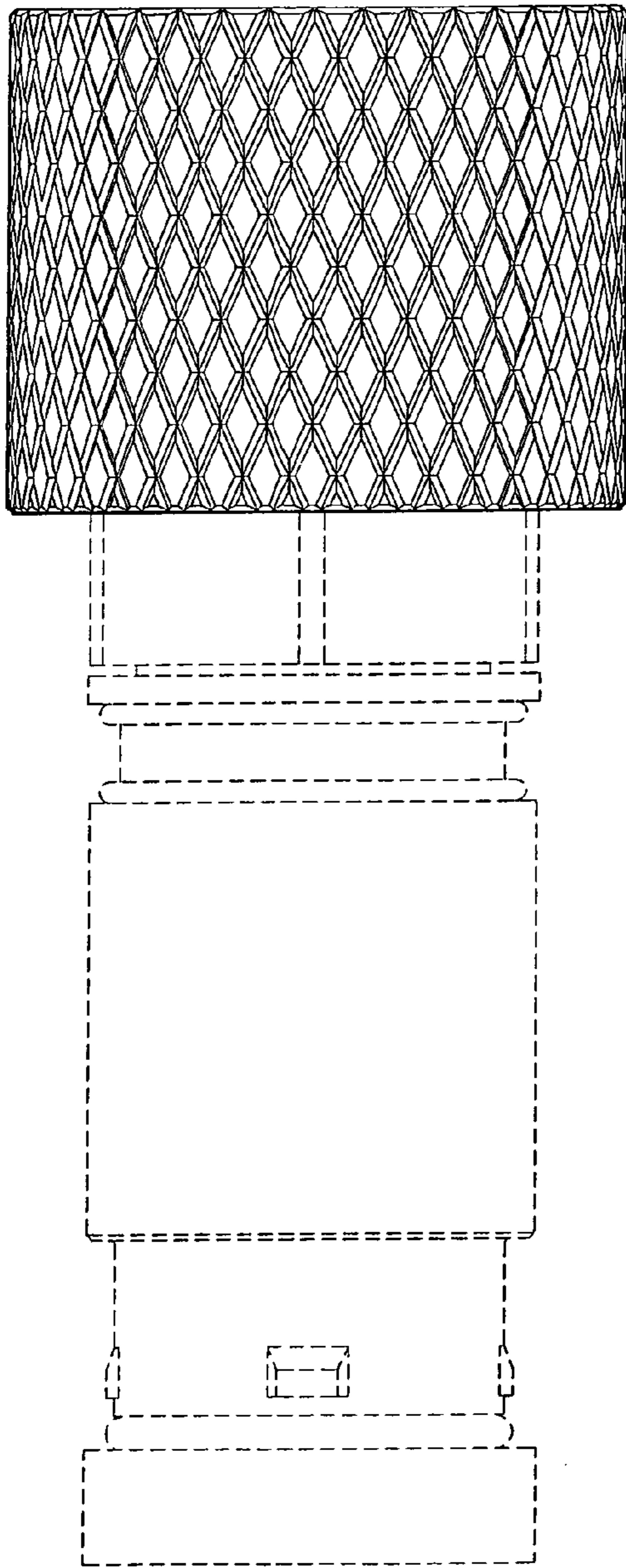


FIG. 3

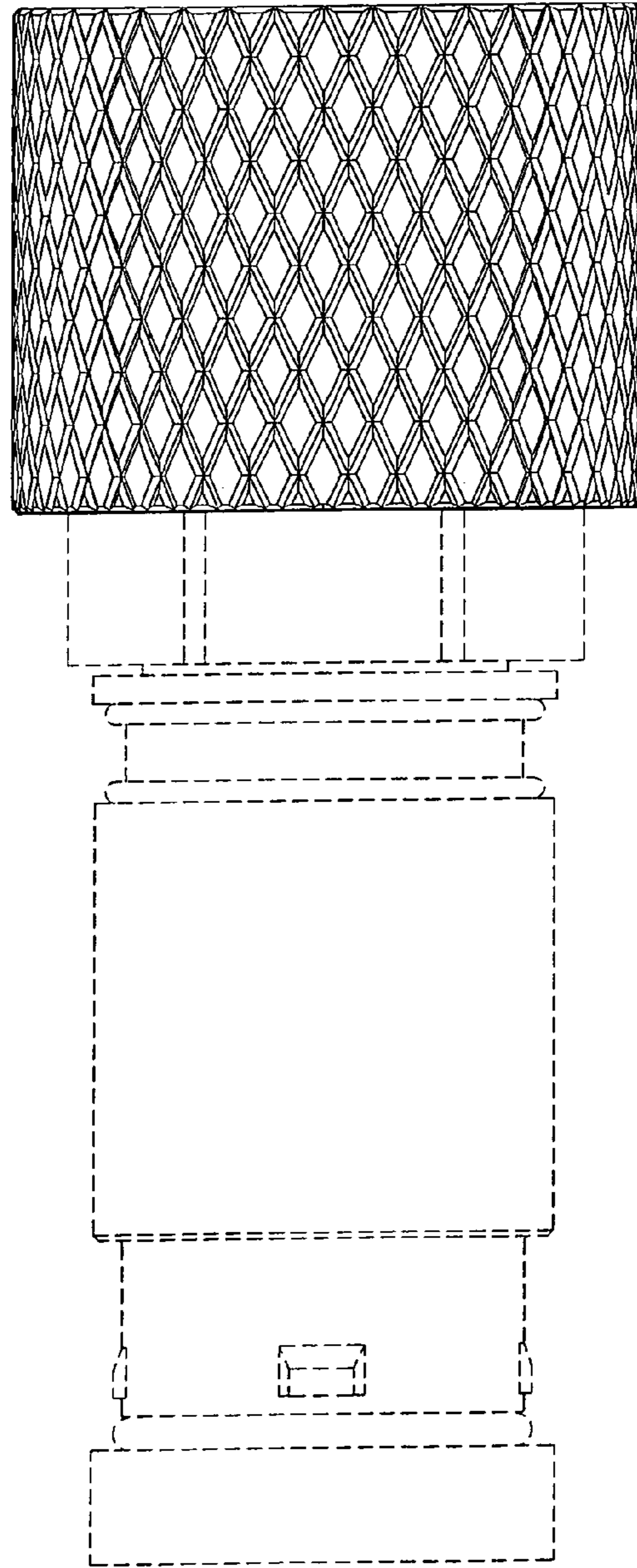


FIG. 4

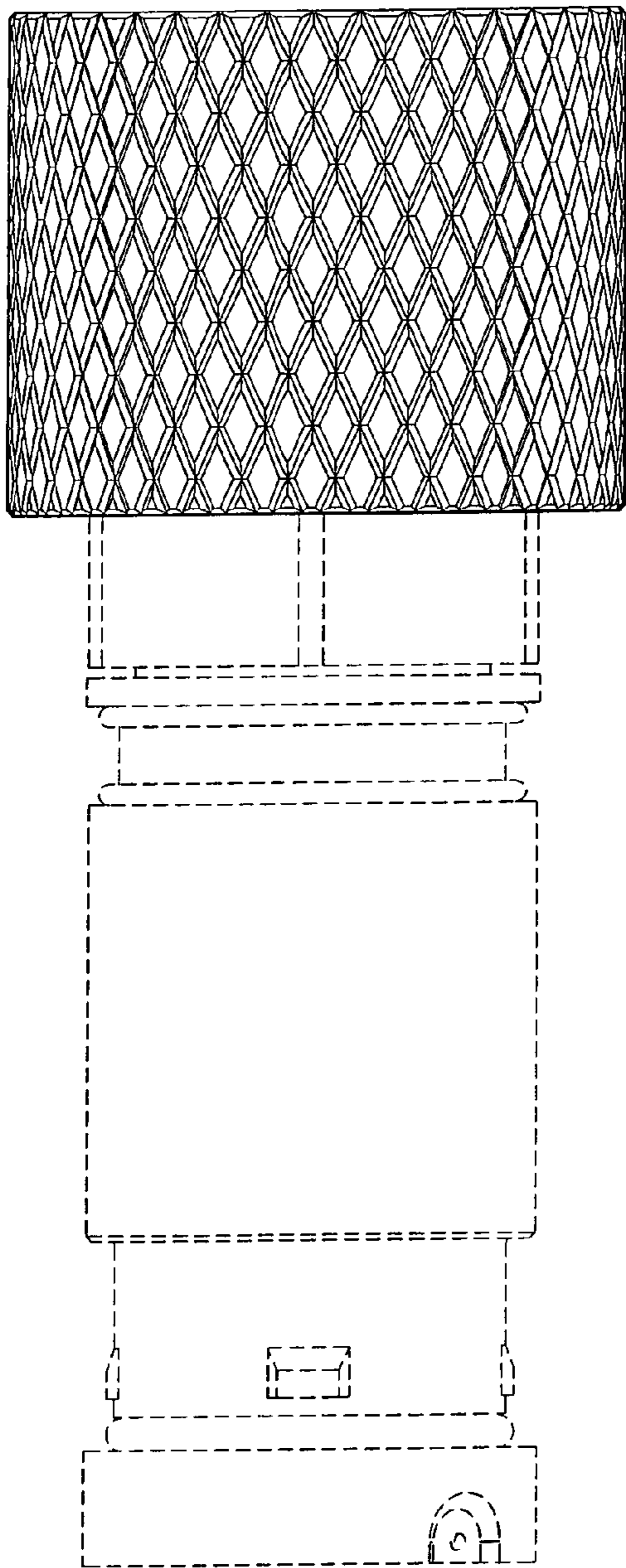


FIG. 5

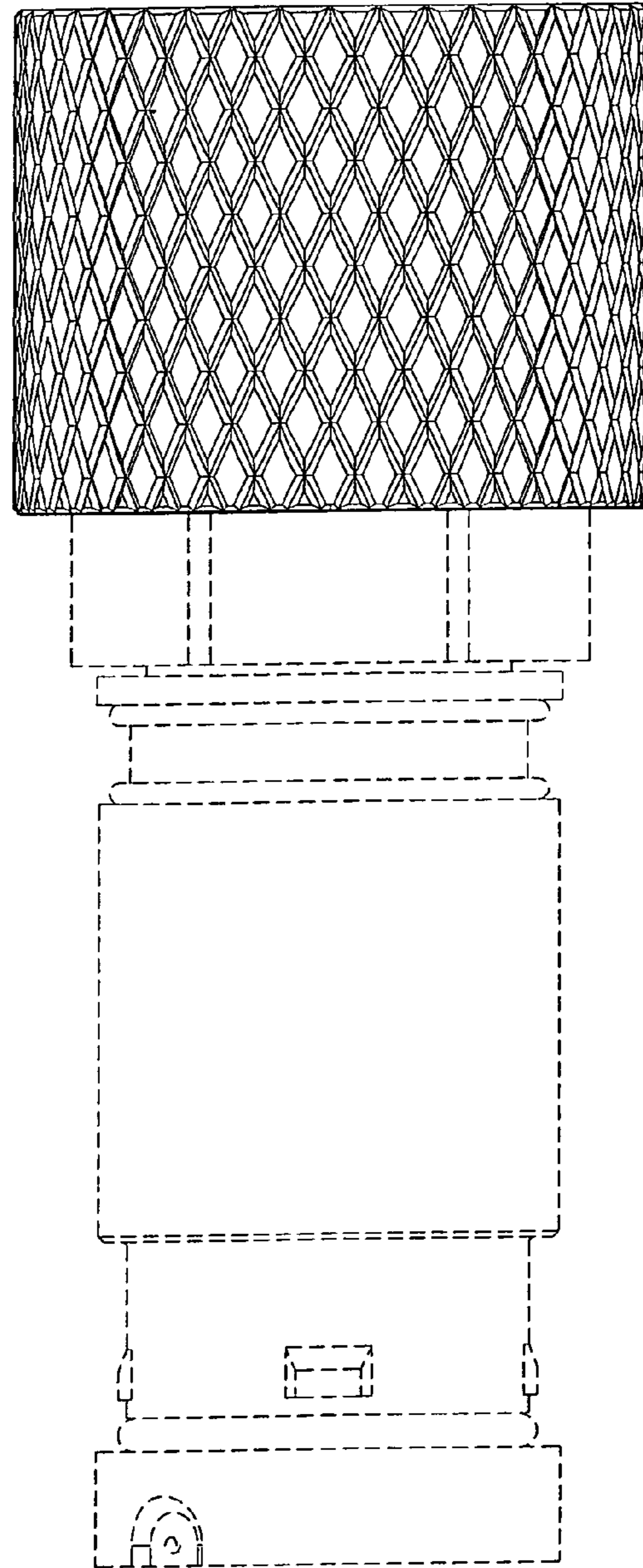


FIG. 6

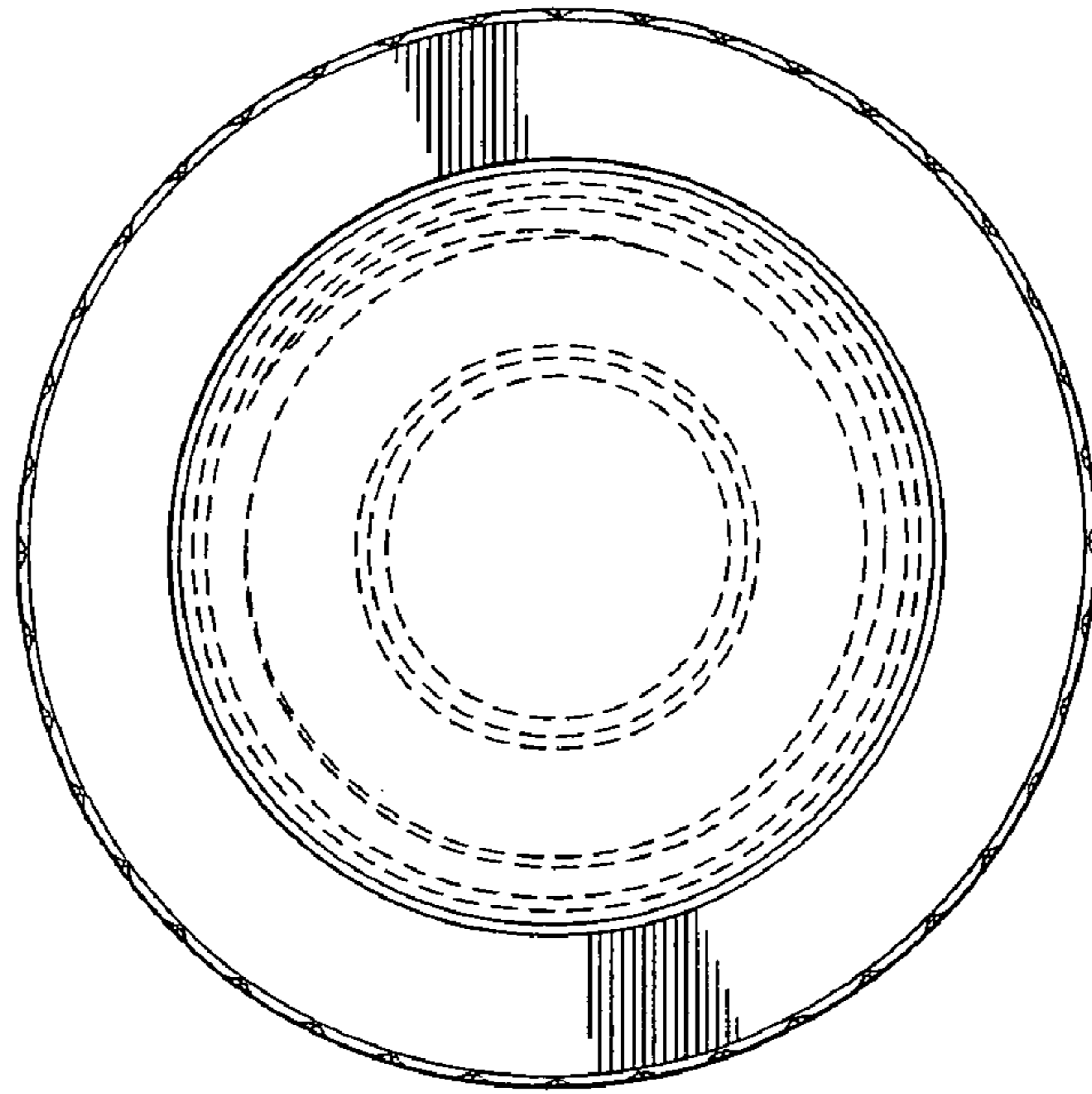


FIG. 7

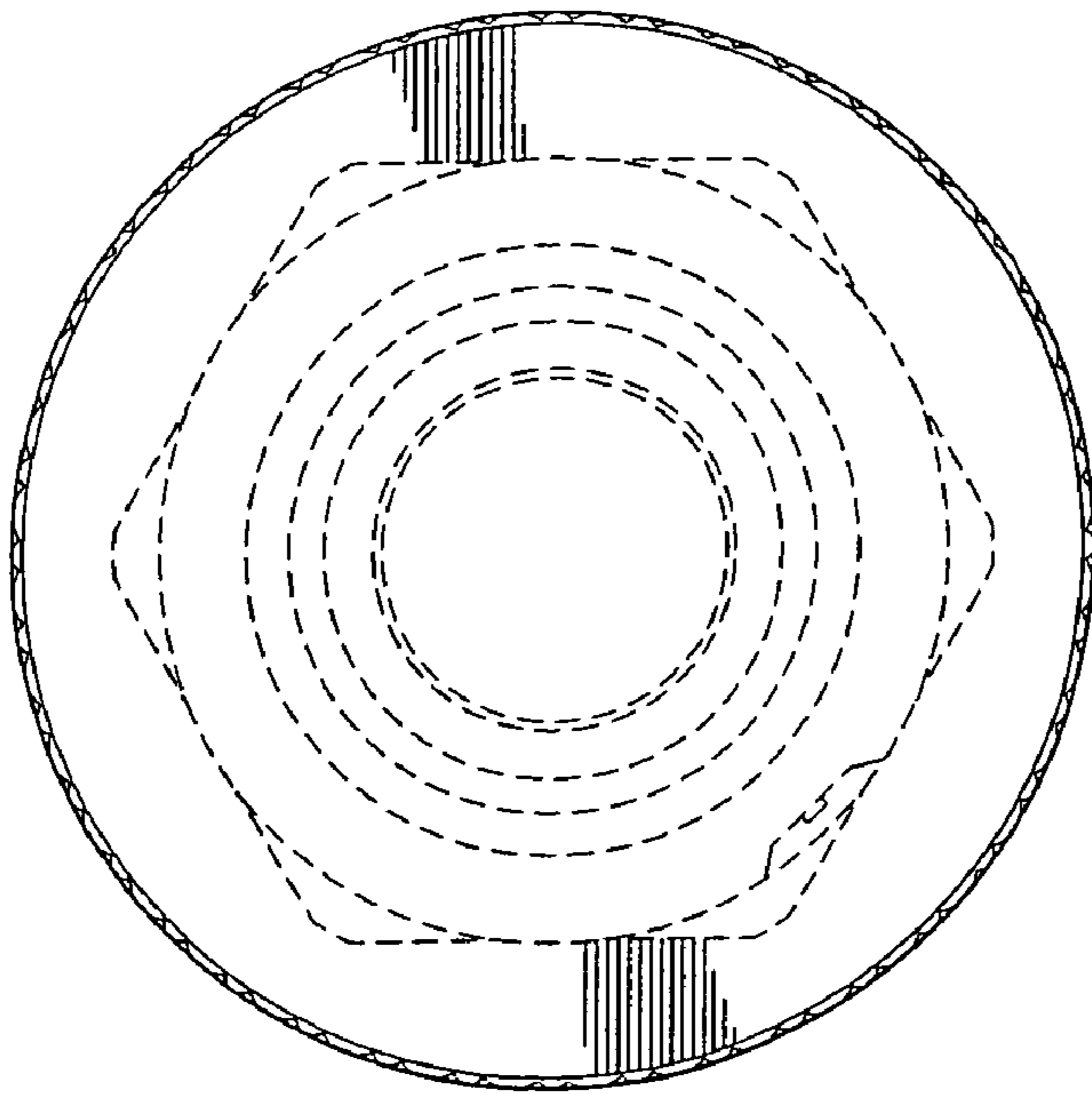


FIG. 8