



US00D624022S

(12) **United States Design Patent**
Liu et al.

(10) **Patent No.:** **US D624,022 S**
(45) **Date of Patent:** **** Sep. 21, 2010**

(54) **CONNECTOR ASSEMBLY**

(74) *Attorney, Agent, or Firm*—Jianq Chyun IP Office

(75) Inventors: **Ta-Wei Liu**, Taoyuan County (TW);
Chih-Wei Tu, Taoyuan County (TW)

(57) **CLAIM**

The ornamental design for a connector assembly, as shown and described.

(73) Assignee: **HTC Corporation**, Taoyuan County (TW)

DESCRIPTION

(**) Term: **14 Years**

FIG. 1 is a perspective view of a connector assembly showing our new design.

(21) Appl. No.: **29/341,595**

FIG. 2 is a front view thereof.

(22) Filed: **Aug. 10, 2009**

FIG. 3 is a rear view thereof.

(30) **Foreign Application Priority Data**

May 27, 2009 (TW) 98302474
May 27, 2009 (TW) 98302475

FIG. 4 is a left side view thereof.

(51) **LOC (9) Cl.** **13-03**

FIG. 5 is a right side view thereof.

(52) **U.S. Cl.** **D13/147**

FIG. 6 is a top view thereof.

(58) **Field of Classification Search** D13/147,
D13/154, 184; 439/108, 476.1, 483, 527,
439/533, 607–610, 892, 894

FIG. 7 is a bottom view thereof.

See application file for complete search history.

FIG. 8 is another perspective view thereof.

(56) **References Cited**

U.S. PATENT DOCUMENTS

D391,551 S * 3/1998 Ono D13/147
D583,328 S * 12/2008 Chiang D13/147
D599,294 S * 9/2009 Yang et al. D13/147

FIG. 9 is a cross-sectional view taken along line 9—9 in FIG. 2.

FIG. 10 is a top perspective view thereof in use condition.

FIG. 11 is a bottom perspective view thereof in use condition.

FIG. 12 is a top perspective view of the receptacle portion and the plug portion in the exploded condition; and,

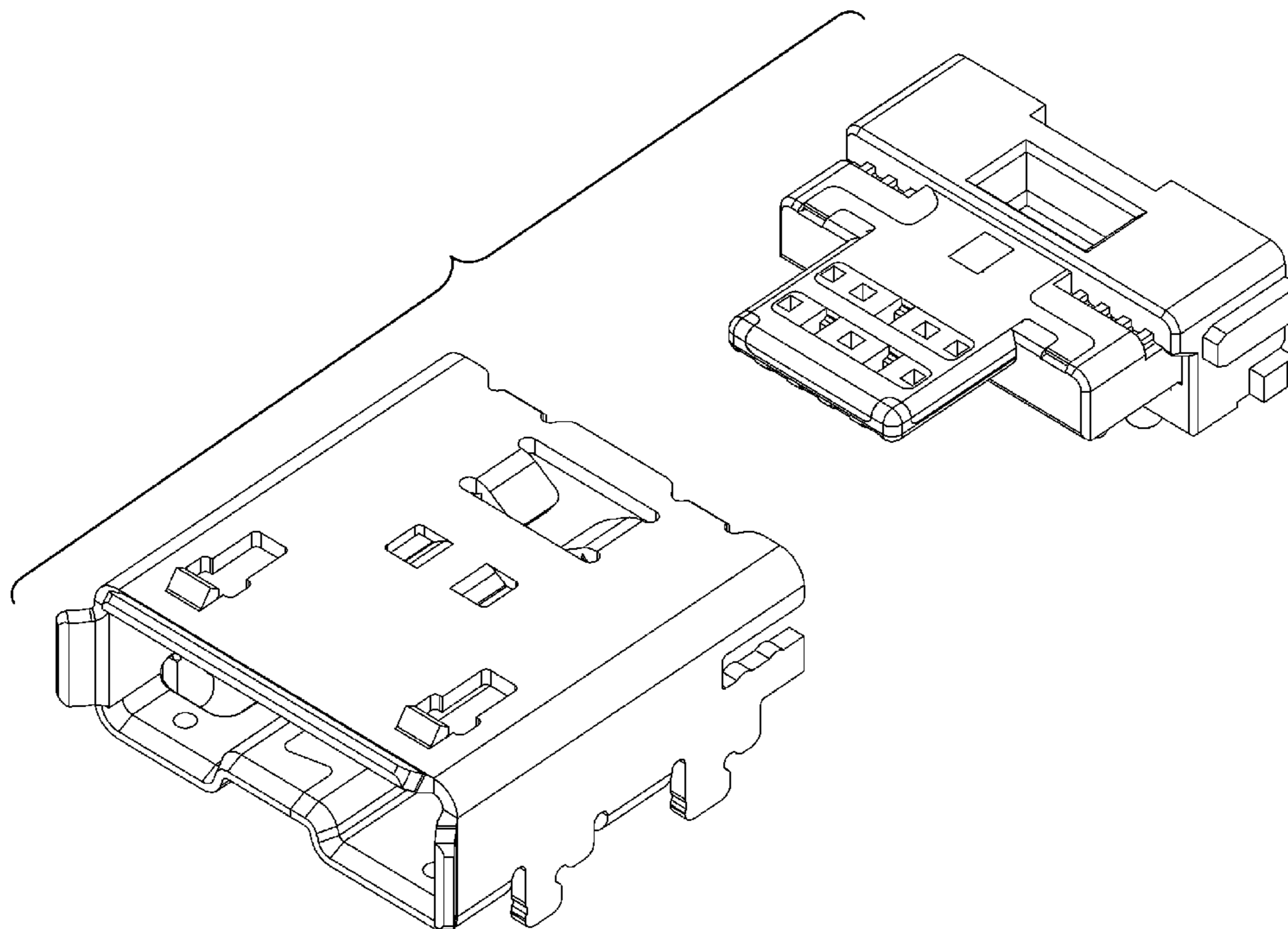
FIG. 13 is a bottom perspective view thereof.

The broken line portion of the figure drawings is included for the purpose of illustrating environment and forms no part of the claimed design.

* cited by examiner

Primary Examiner—Daniel D Bui

1 Claim, 11 Drawing Sheets



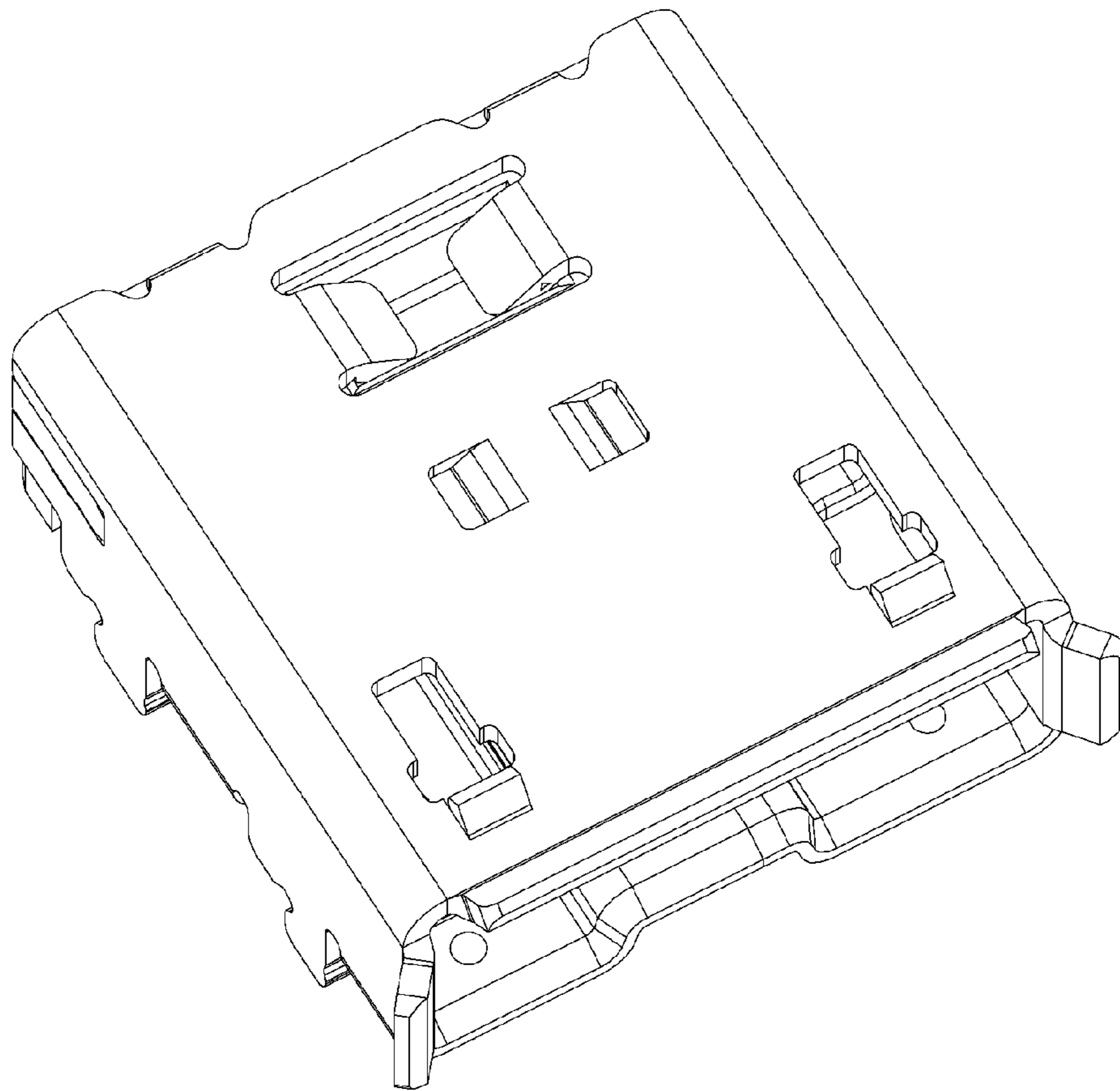


FIG. 1

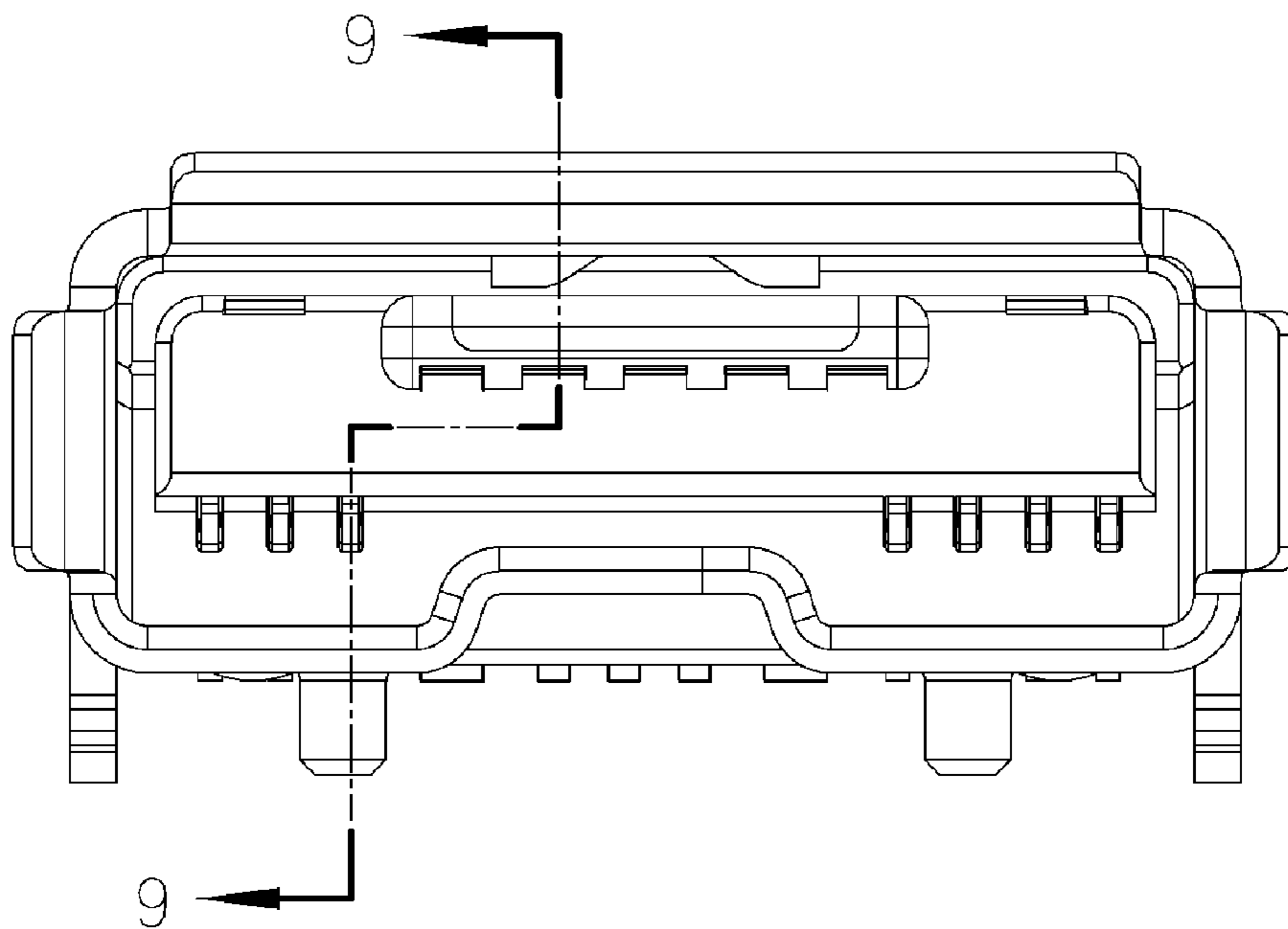


FIG. 2

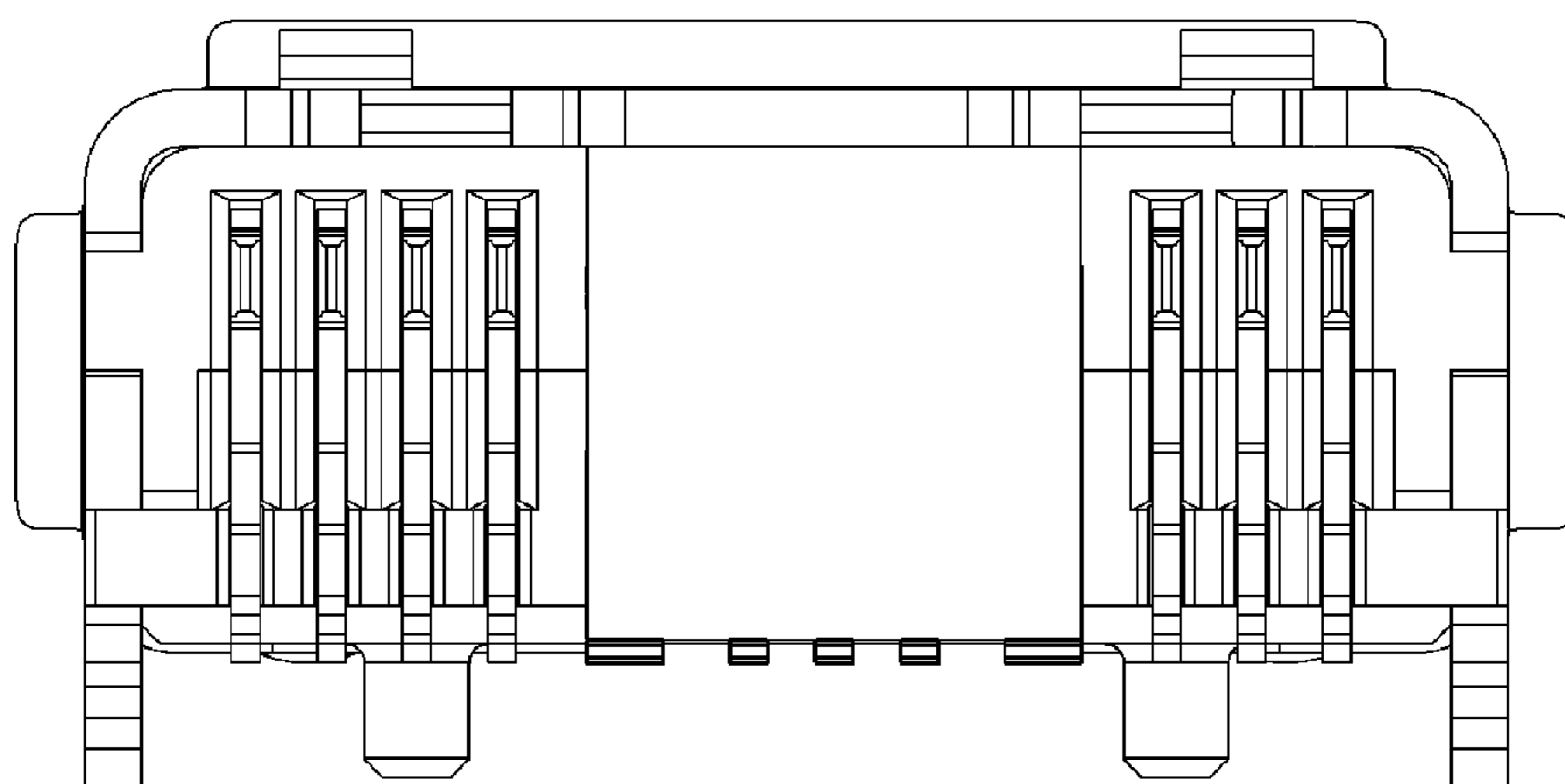


FIG. 3

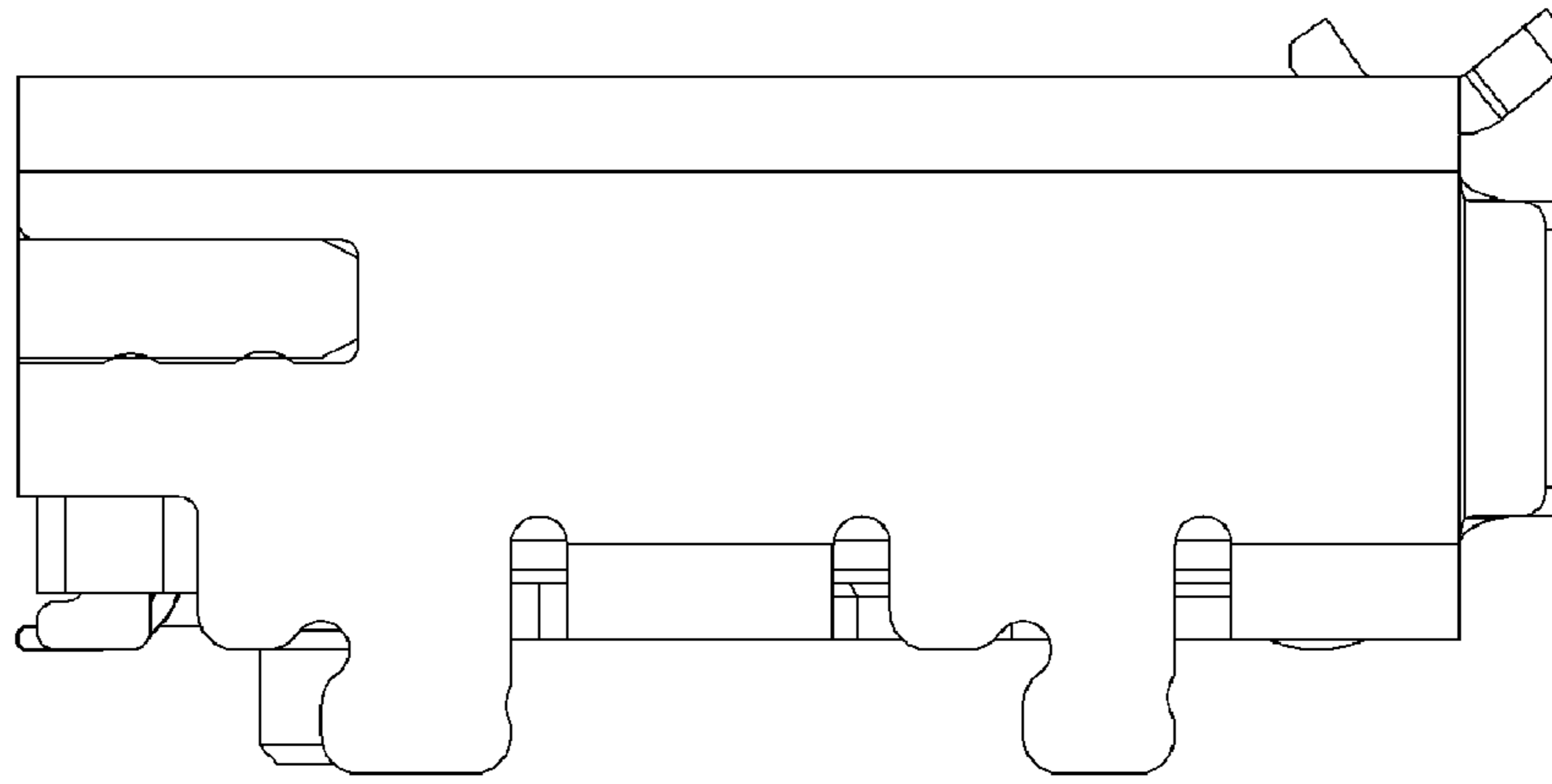


FIG. 4

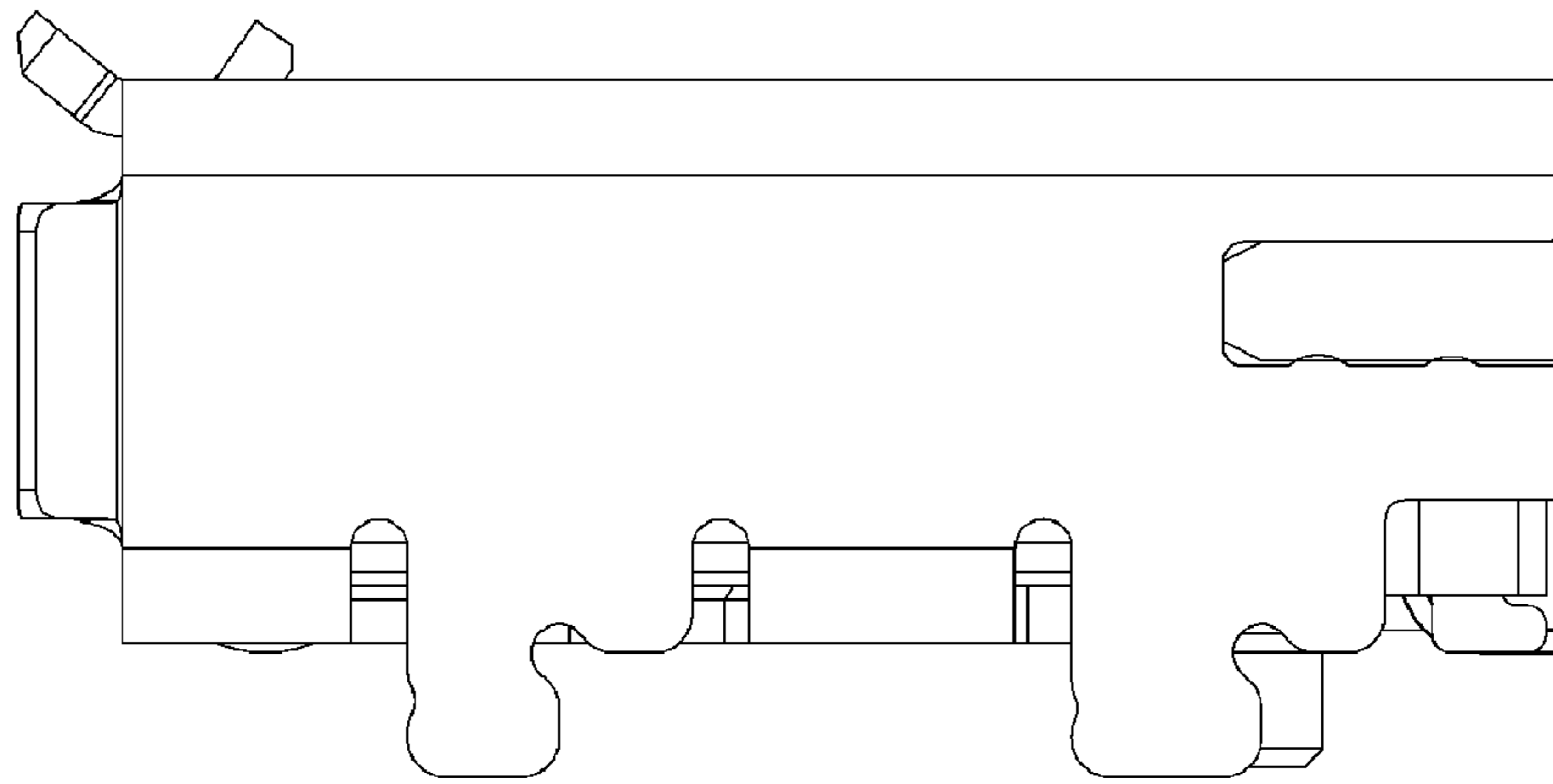


FIG. 5

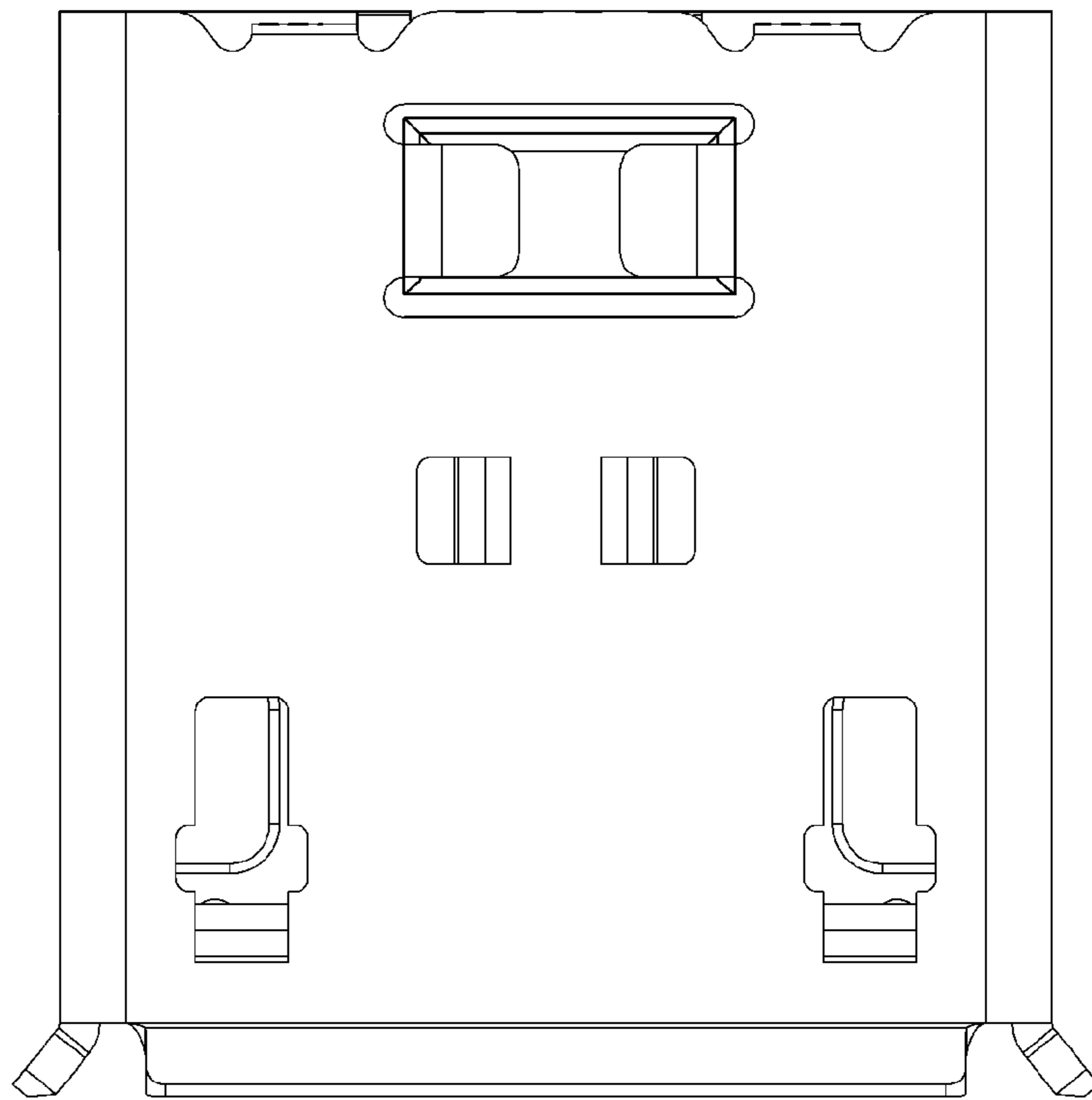


FIG. 6

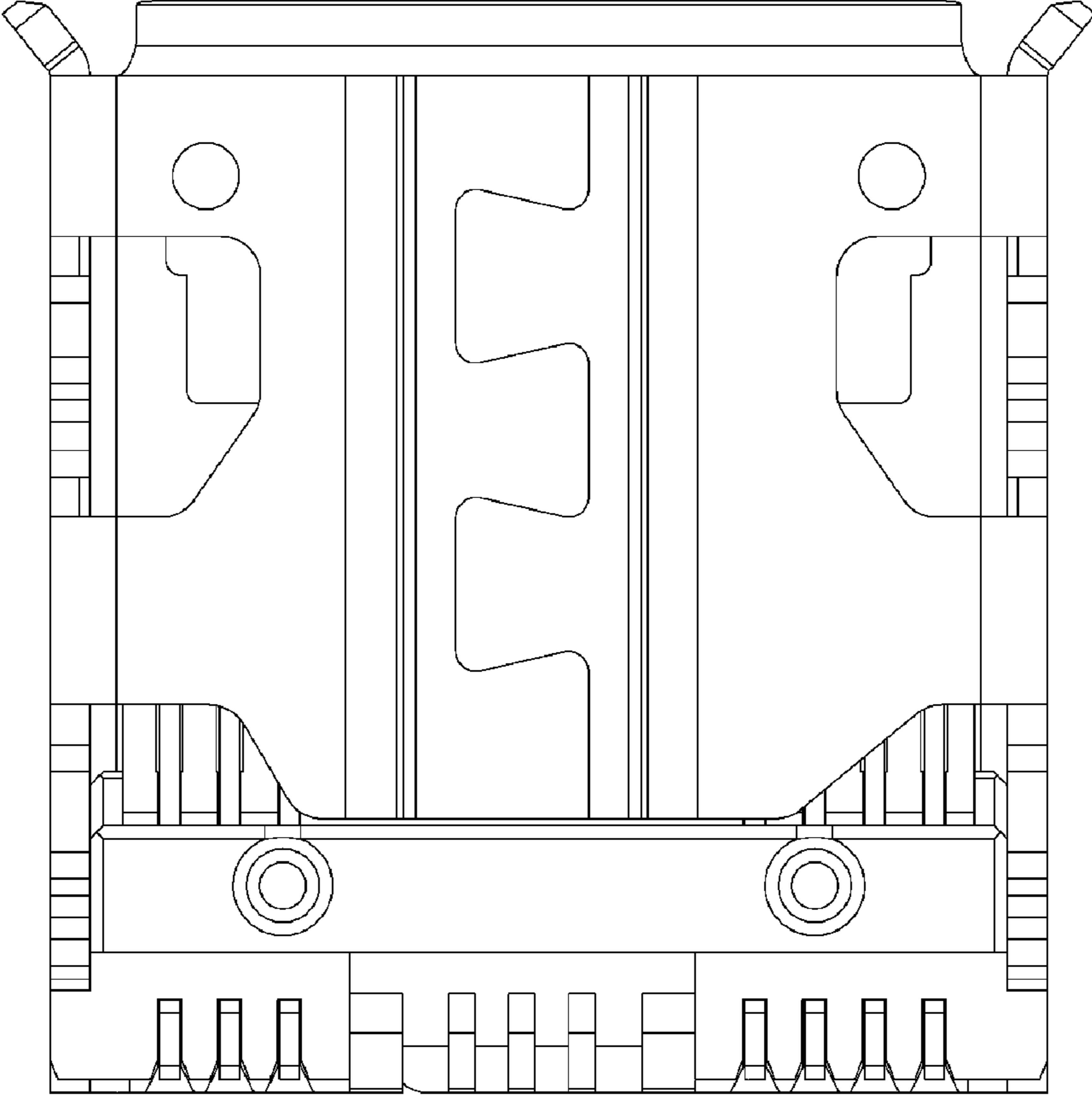


FIG. 7

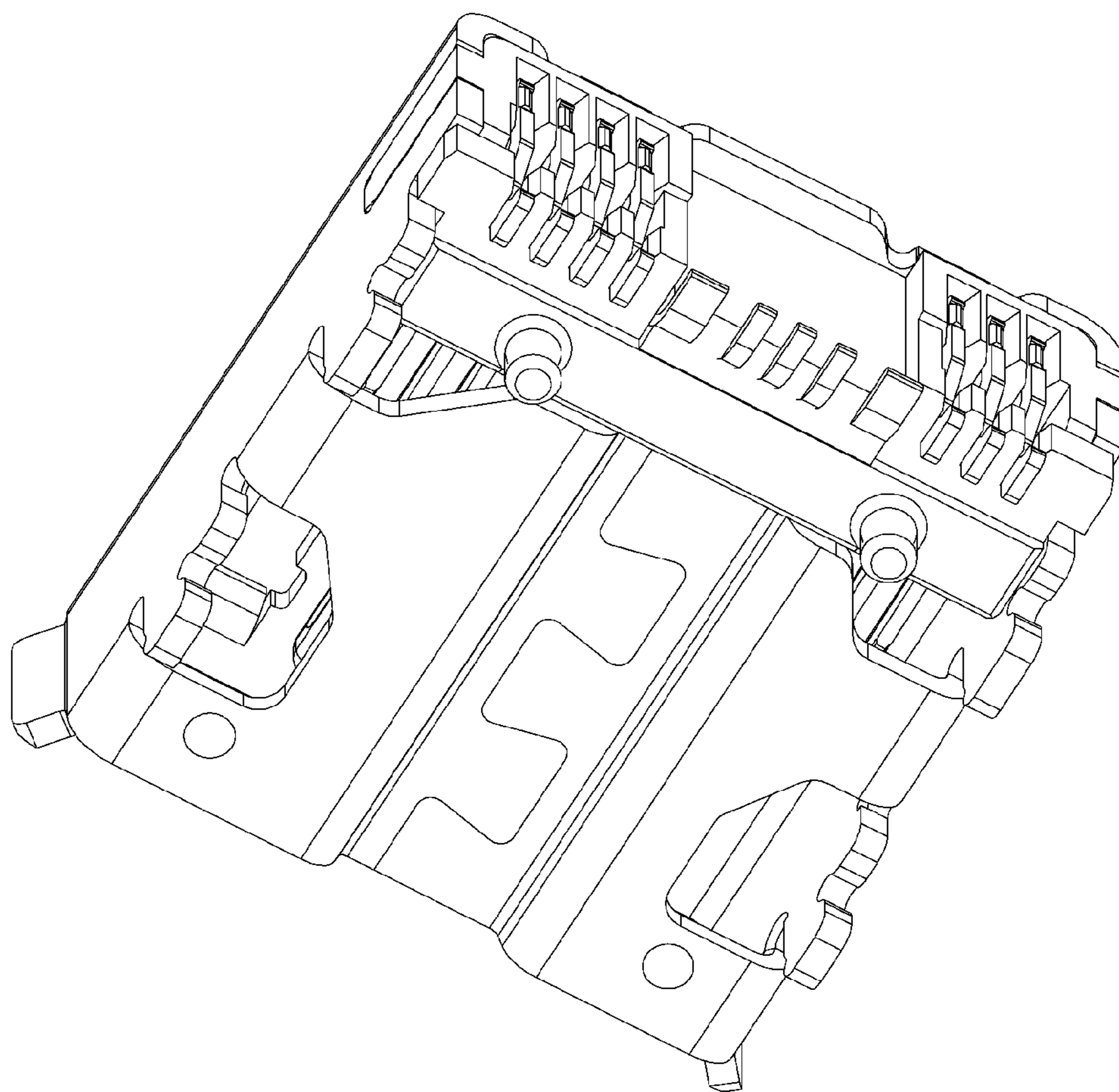


FIG. 8

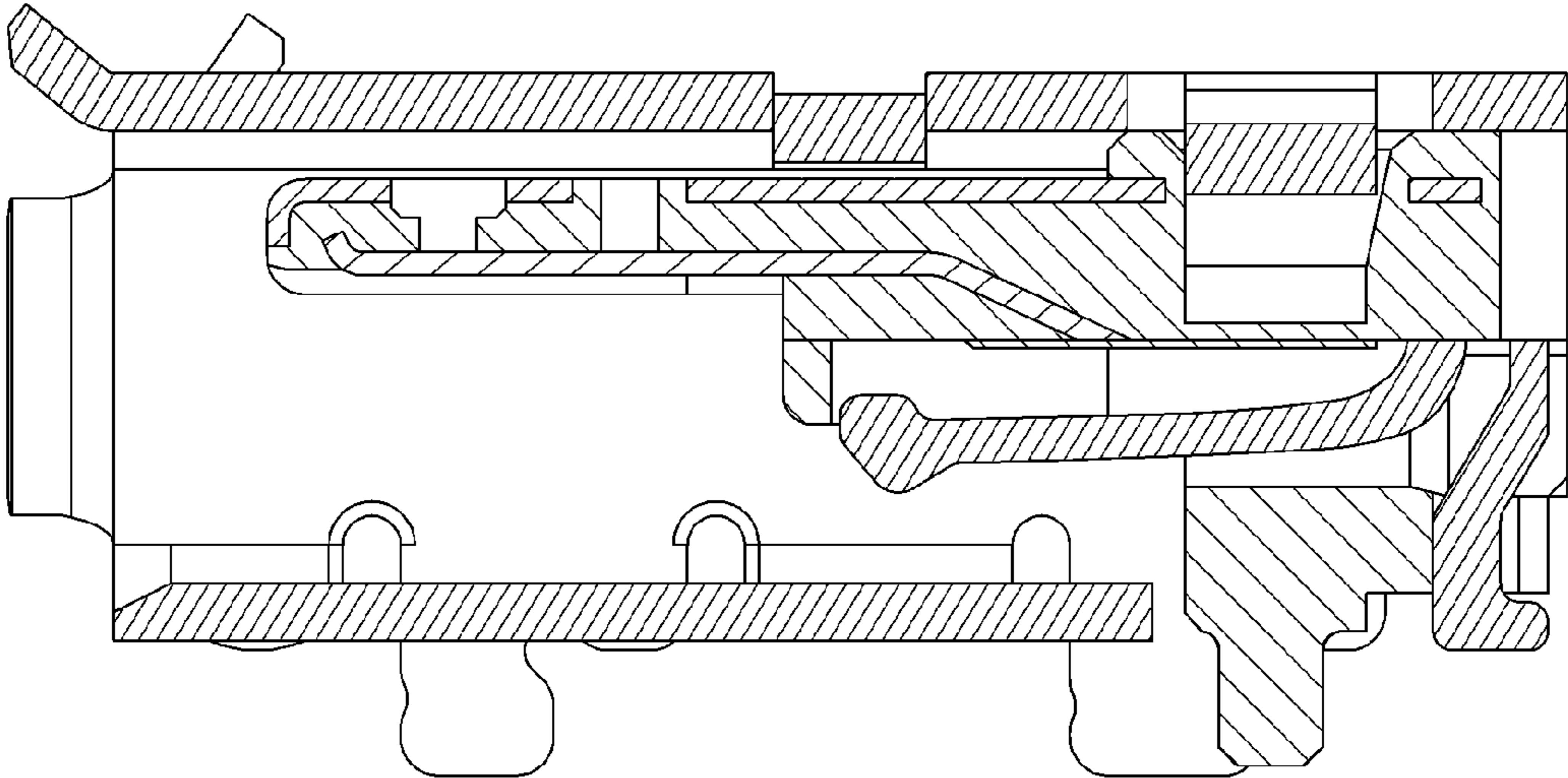


FIG. 9

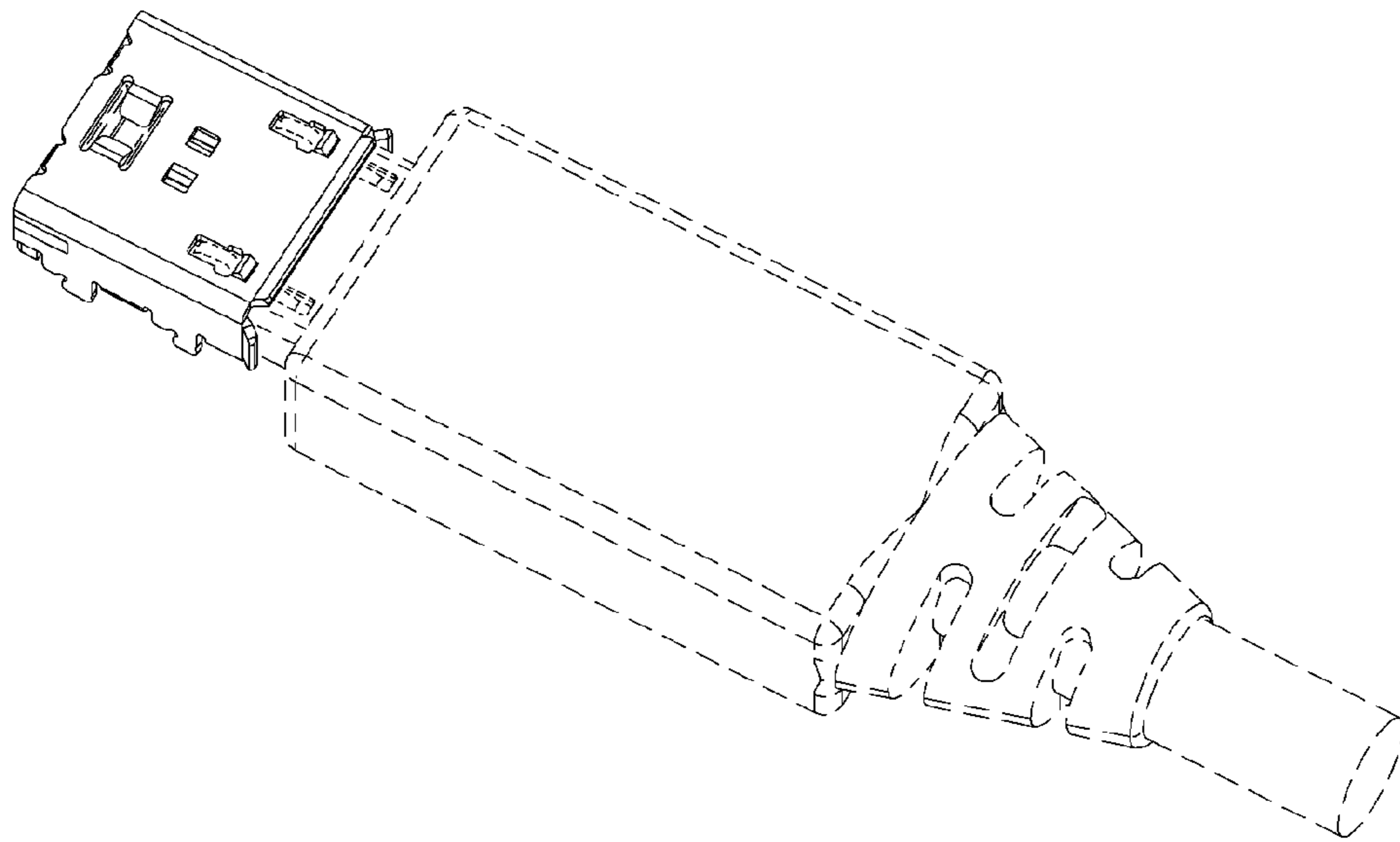


FIG. 10

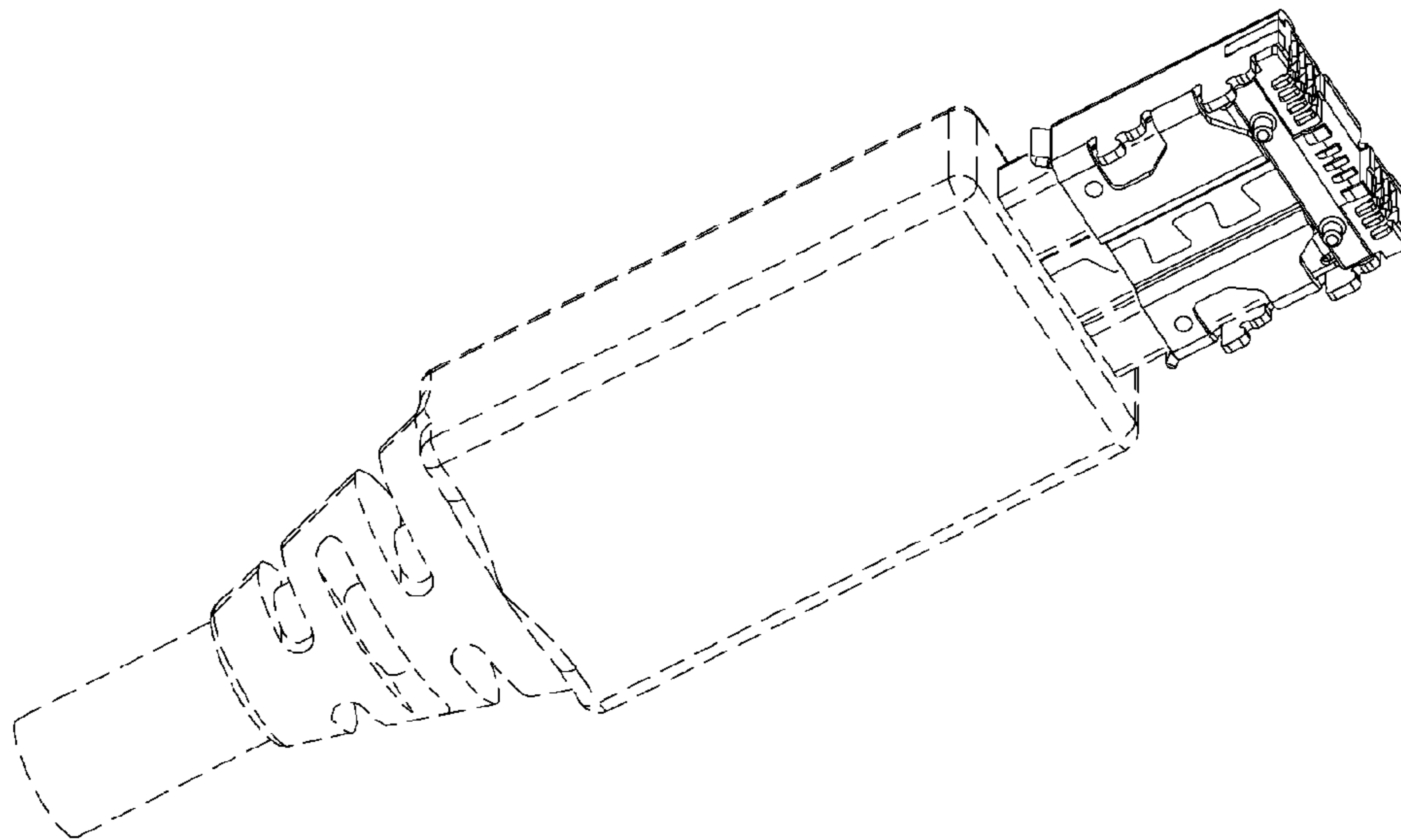


FIG. 11

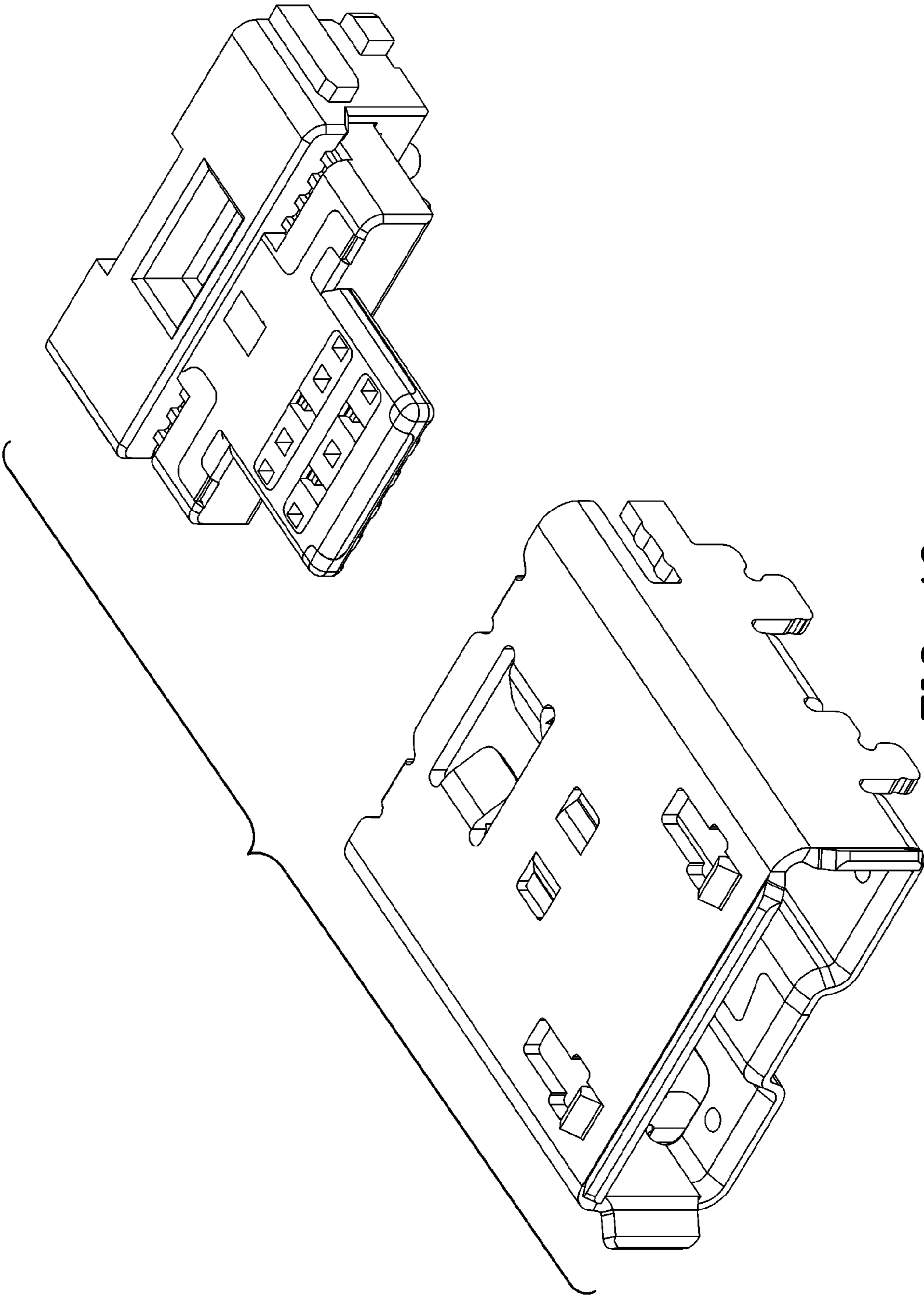


FIG. 12

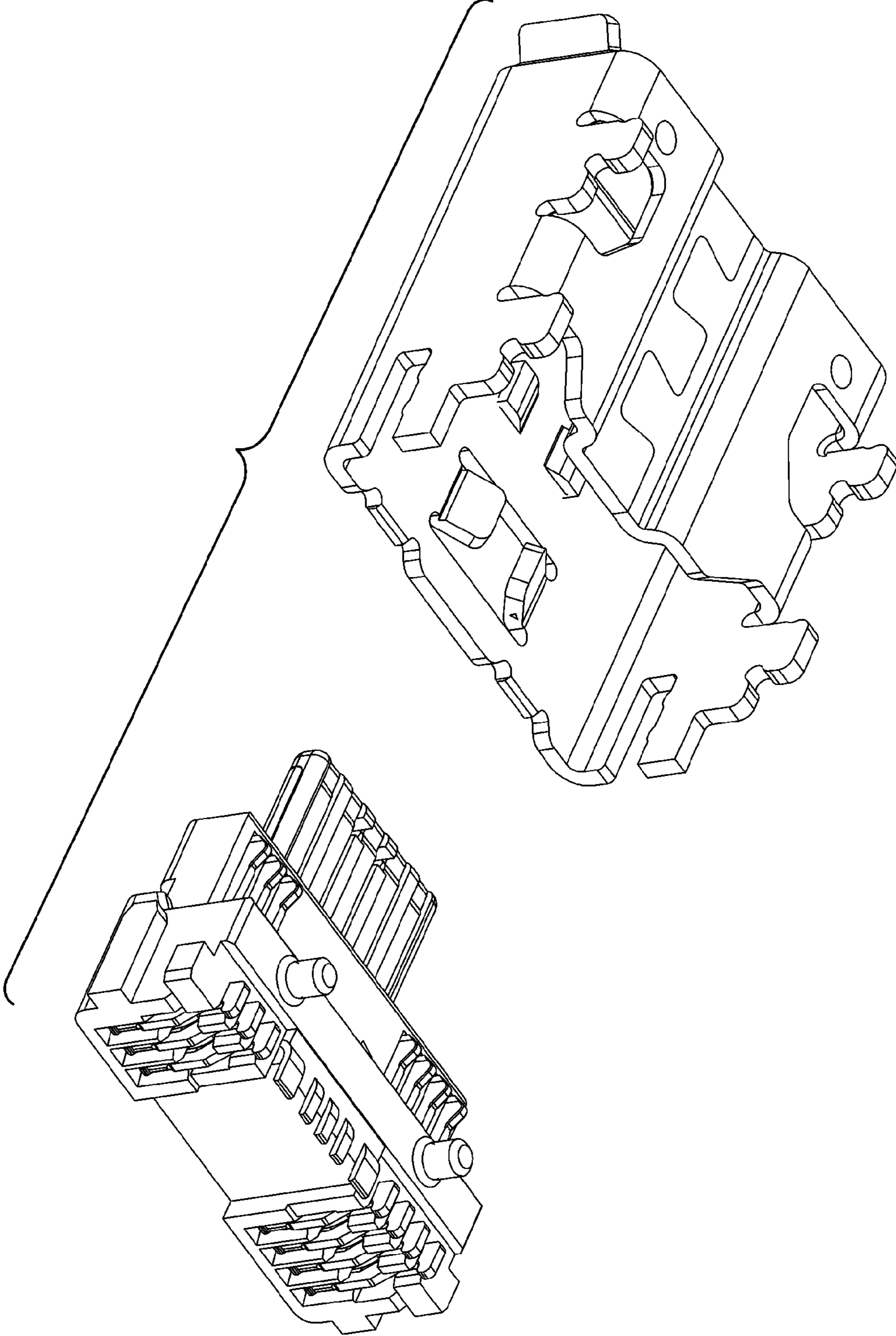


FIG. 13