



US00D624020S

(12) **United States Design Patent**  
**Kovacik et al.**

(10) **Patent No.:** **US D624,020 S**  
(45) **Date of Patent:** **\*\* Sep. 21, 2010**

(54) **RETRACTING EXTENSION CORD REEL**

(75) Inventors: **James D. Kovacik**, Breckville, OH  
(US); **Paul S. Blanch**, Broadview  
Heights, OH (US)

(73) Assignee: **Alert Stamping & Manufacturing Co.,  
Inc.**, Bedford Heights, OH (US)

(\*\*) Term: **14 Years**

(21) Appl. No.: **29/330,476**

(22) Filed: **Jan. 8, 2009**

(51) **LOC (9) Cl.** ..... **13-03**

(52) **U.S. Cl.** ..... **D13/137.4; D8/358**

(58) **Field of Classification Search** .. D13/137.1-137.4,  
D13/138.1, 138.2, 139.1-139.8, 107-108,  
D13/110, 133, 146, 147, 154, 184, 199;  
D14/433; 174/53-58, 66; 439/105-107,  
439/535, 650-655, 638, 692, 502, 505; 337/189,  
337/198; D8/358; 242/378, 378.1, 379,  
242/388, 388.1, 395, 398, 402, 403.1, 404,  
242/405, 407

See application file for complete search history.

(56) **References Cited**

U.S. PATENT DOCUMENTS

4,350,850	A	9/1982	Kovacik et al.	
D286,134	S *	10/1986	Schwartz .....	D13/137.4
D286,503	S *	11/1986	Bobrovniczky .....	D8/359
4,725,697	A	2/1988	Kovacik et al.	
D313,165	S	12/1990	Kovacik et al.	
D313,166	S	12/1990	Kovacik et al.	
D313,167	S	12/1990	Kovacik et al.	
D377,447	S *	1/1997	Blye .....	D8/358
5,645,147	A	7/1997	Kovacik et al.	
D415,998	S *	11/1999	Brown et al. ....	D13/154
D419,426	S	1/2000	Kovacik et al.	
D431,179	S	9/2000	Kovacik et al.	
D432,084	S *	10/2000	Miller .....	D13/137.4
D434,000	S *	11/2000	Miller .....	D13/137.4
6,170,775	B1	1/2001	Kovacik et al.	
D442,551	S *	5/2001	Stekelenburg .....	D13/137.4

D443,590	S *	6/2001	Vende .....	D13/137.4
6,273,354	B1	8/2001	Kovacik et al.	
D448,651	S	10/2001	Kovacik et al.	
D448,985	S	10/2001	Kovacik et al.	
D449,513	S *	10/2001	Stekelenburg .....	D8/358
D464,624	S *	10/2002	Shim .....	D13/137.4
D468,189	S	1/2003	Kovacik et al.	
D479,979	S	9/2003	Kovacik et al.	
6,766,821	B1	7/2004	Kovacik et al.	
D496,253	S	9/2004	Kovacik et al.	
D504,606	S	5/2005	Kovacik et al.	
6,889,701	B2	5/2005	Kovacik et al.	
D511,294	S	11/2005	Kovacik et al.	

(Continued)

*Primary Examiner*—Rosemary K Tarca

(74) *Attorney, Agent, or Firm*—Fraser Clemens; Martin &  
Miller LLC; William J. Clemens

(57) **CLAIM**

The ornamental design for a retracting extension cord reel, as  
shown and described.

**DESCRIPTION**

FIG. 1 is a perspective view of a retracting extension cord reel  
incorporating our new design, having an electrical extension  
cord disposed therein;

FIG. 2 is a front view of the retracting extension cord reel  
illustrated in FIG. 1;

FIG. 3 is a rear view thereof;

FIG. 4 is a top plan view thereof;

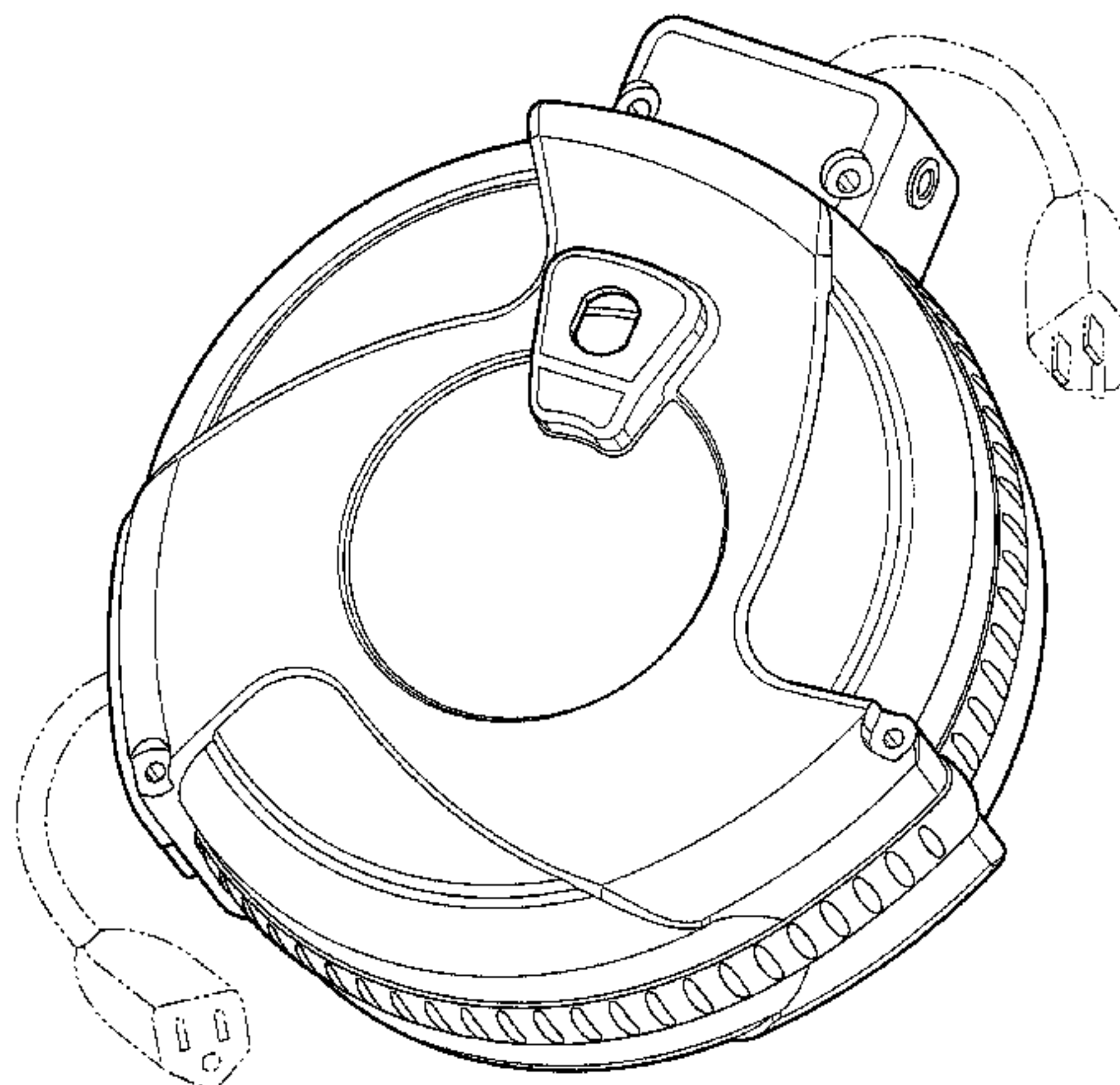
FIG. 5 is a bottom plan view thereof;

FIG. 6 is a right side elevational view thereof; and,

FIG. 7 is a left side elevational view thereof.

The ornamental design which is claimed is shown in solid  
lines in the drawings. The broken lines in the drawings are for  
illustrative purposes only and form no part of the claimed  
design.

**1 Claim, 5 Drawing Sheets**



# US D624,020 S

Page 2

---

## U.S. PATENT DOCUMENTS

D581,256 S \* 11/2008 Jiang ..... D8/358  
D584,937 S \* 1/2009 Kovacik et al. .... D8/358 \* cited by examiner

D604,244 S \* 11/2009 Kovacik et al. .... D13/137.4

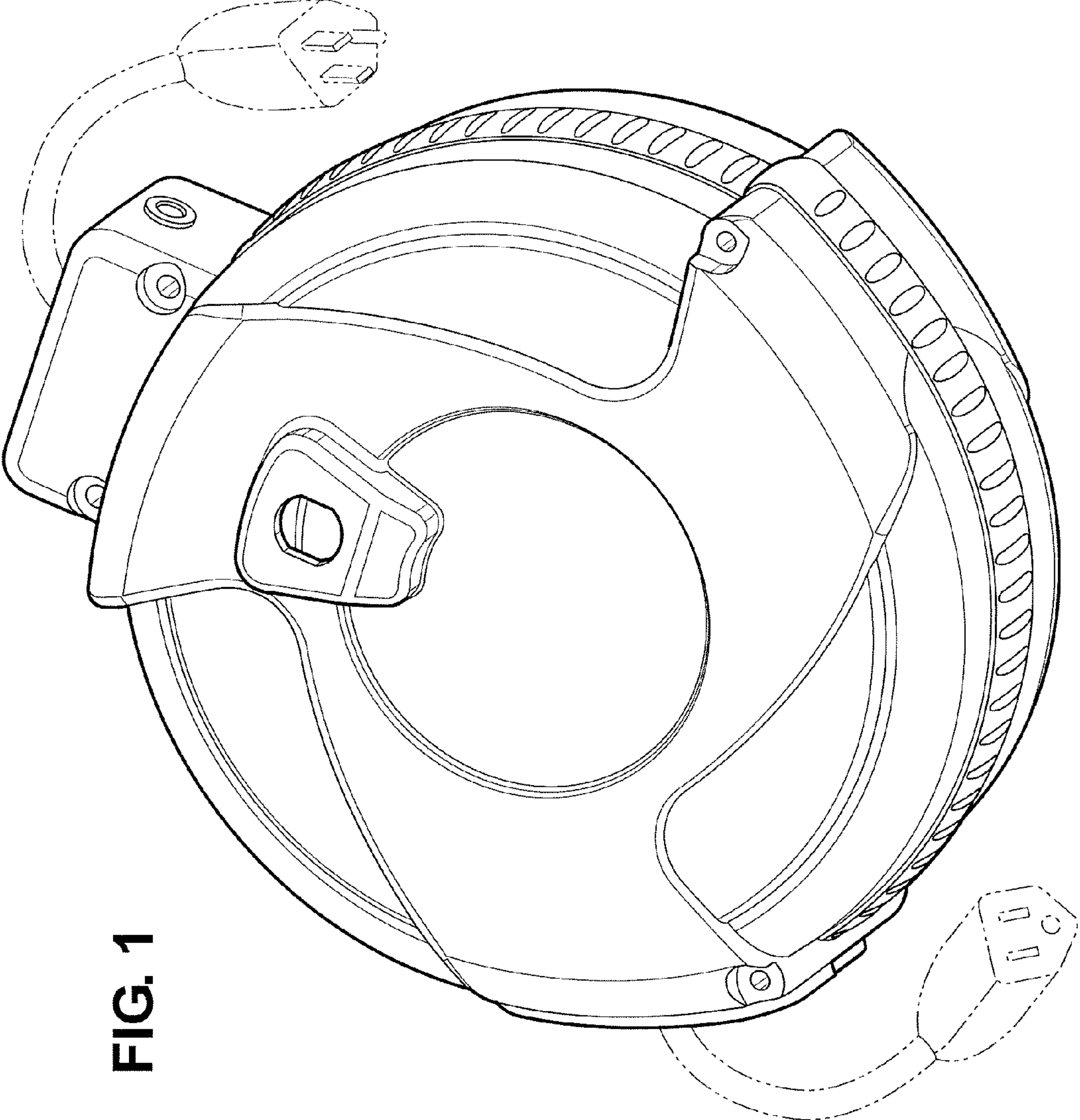


FIG. 1

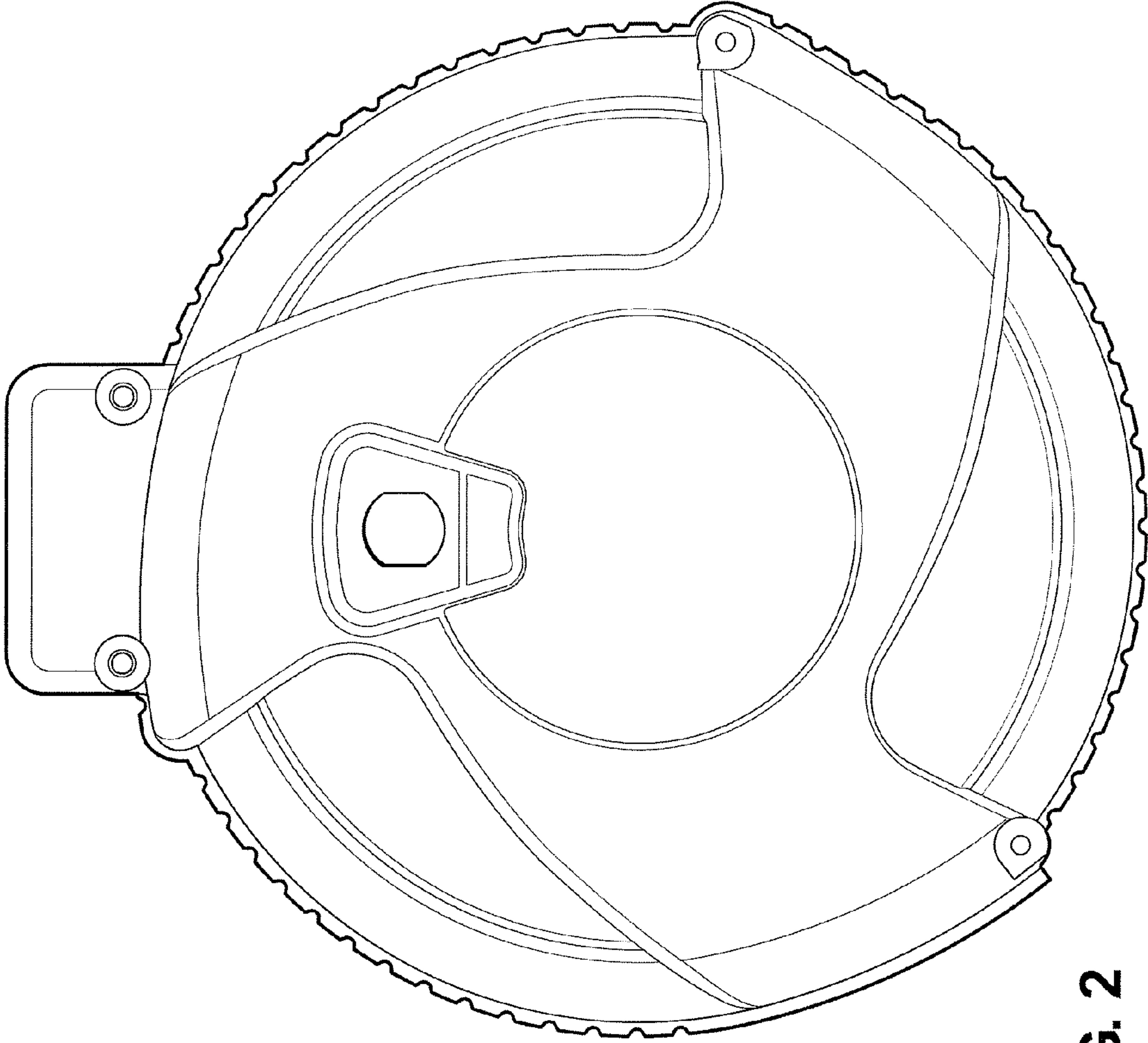


FIG. 2



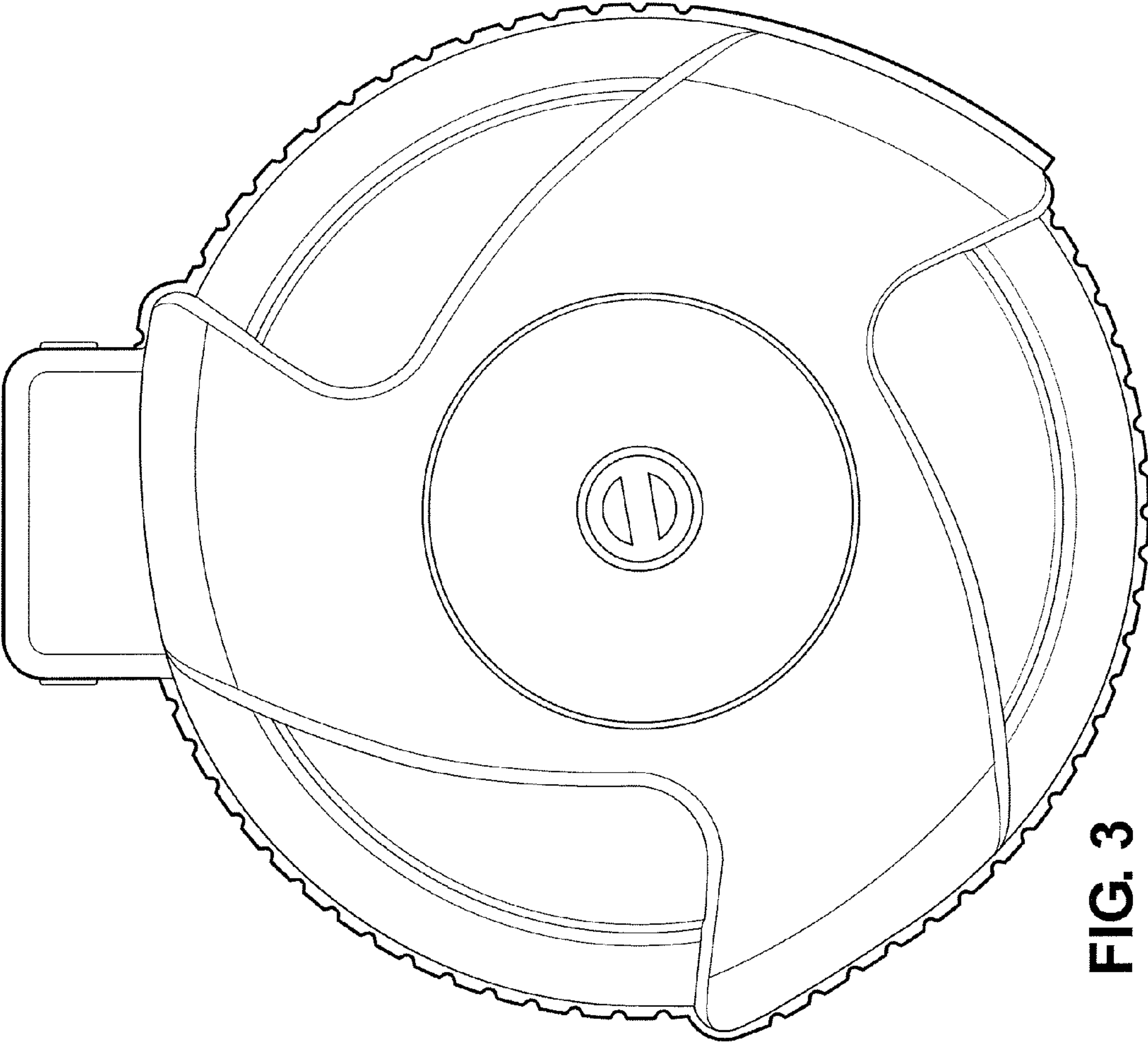


FIG. 3

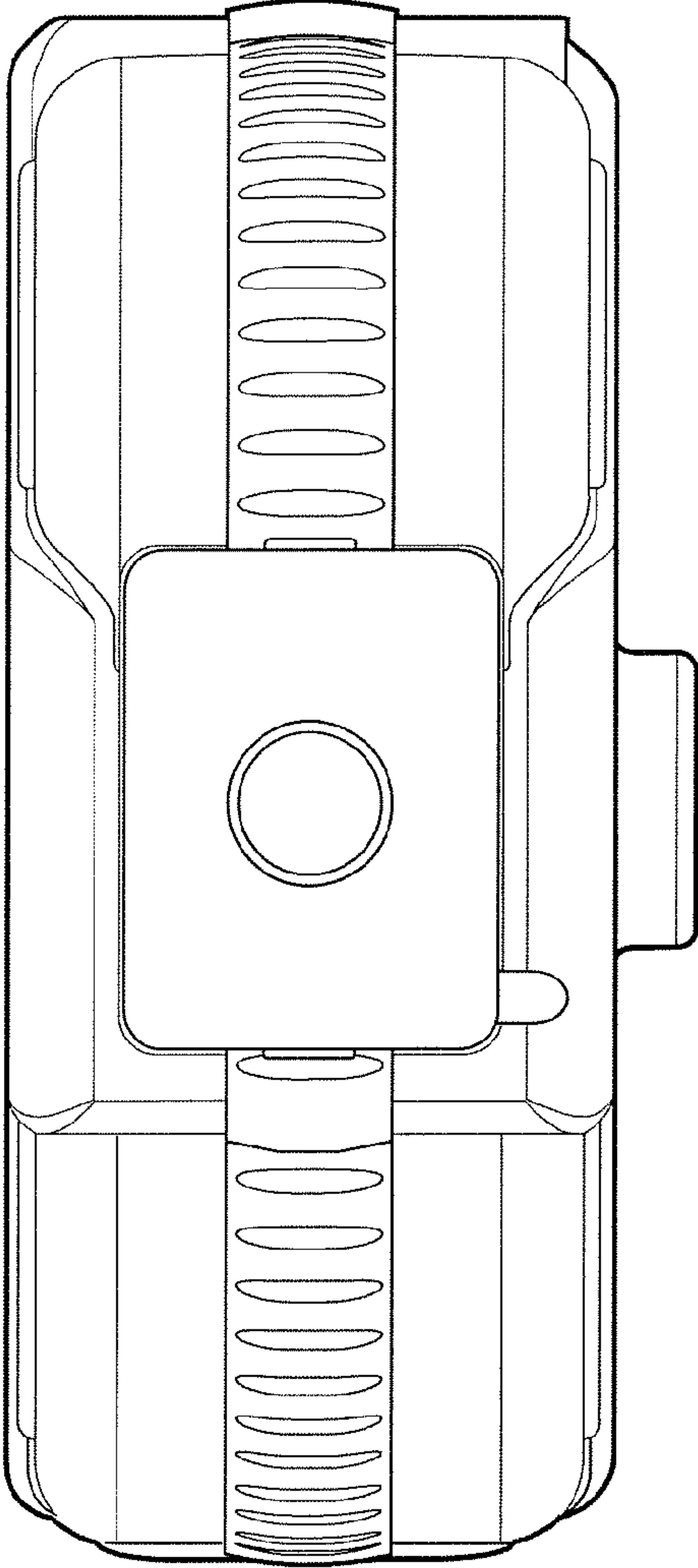


FIG. 4

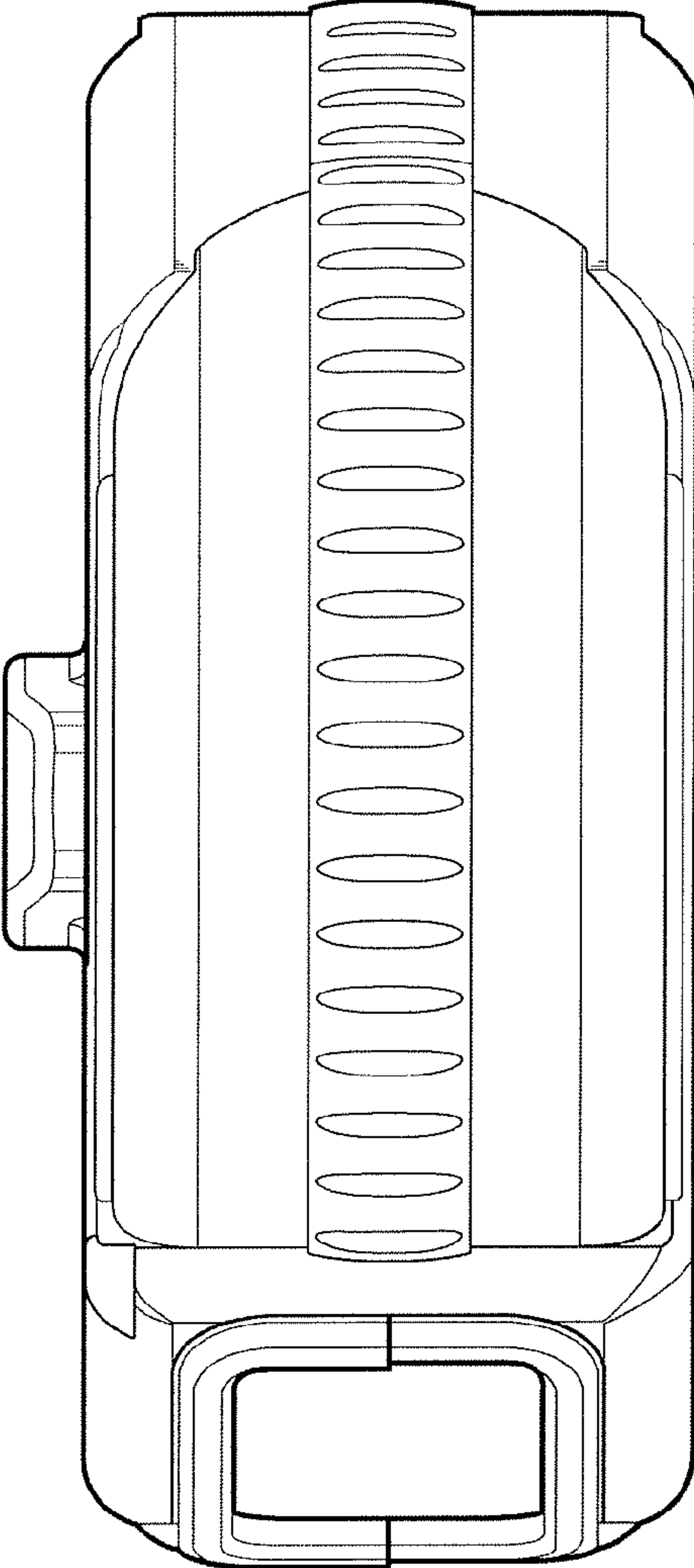


FIG. 5

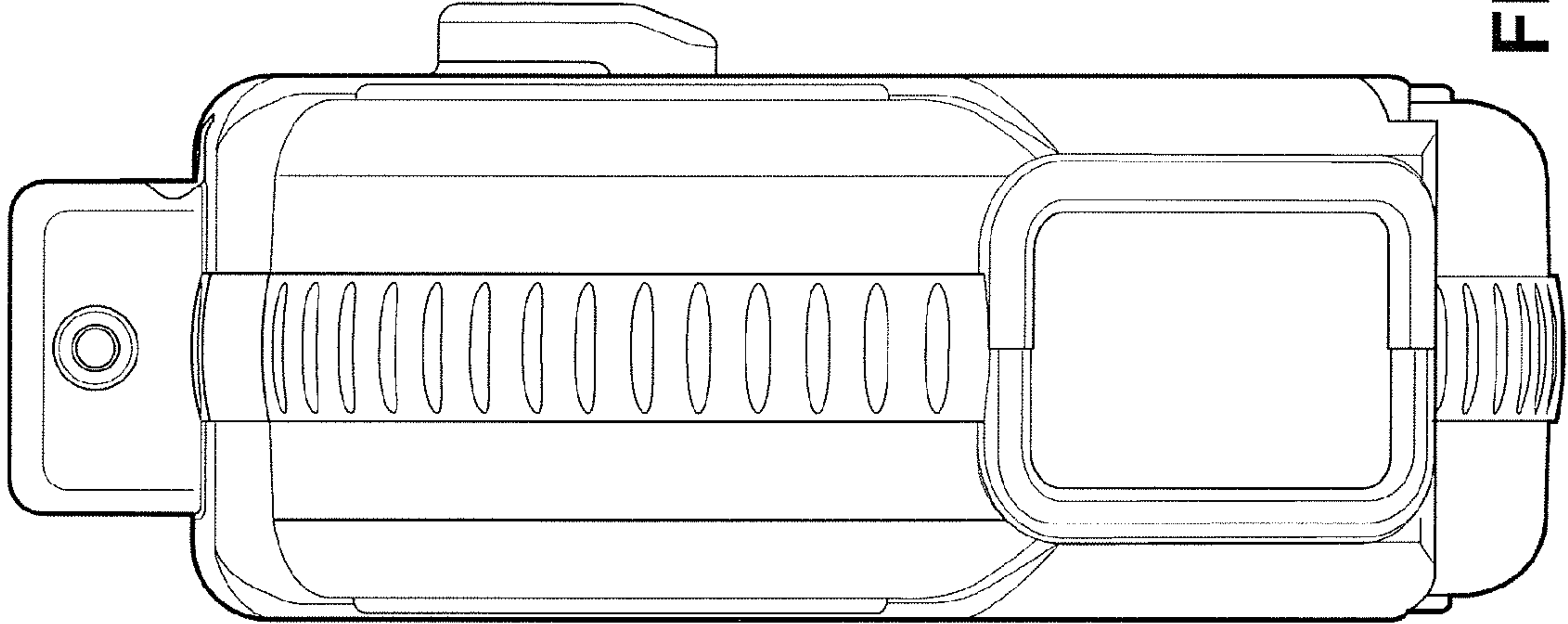


FIG. 7

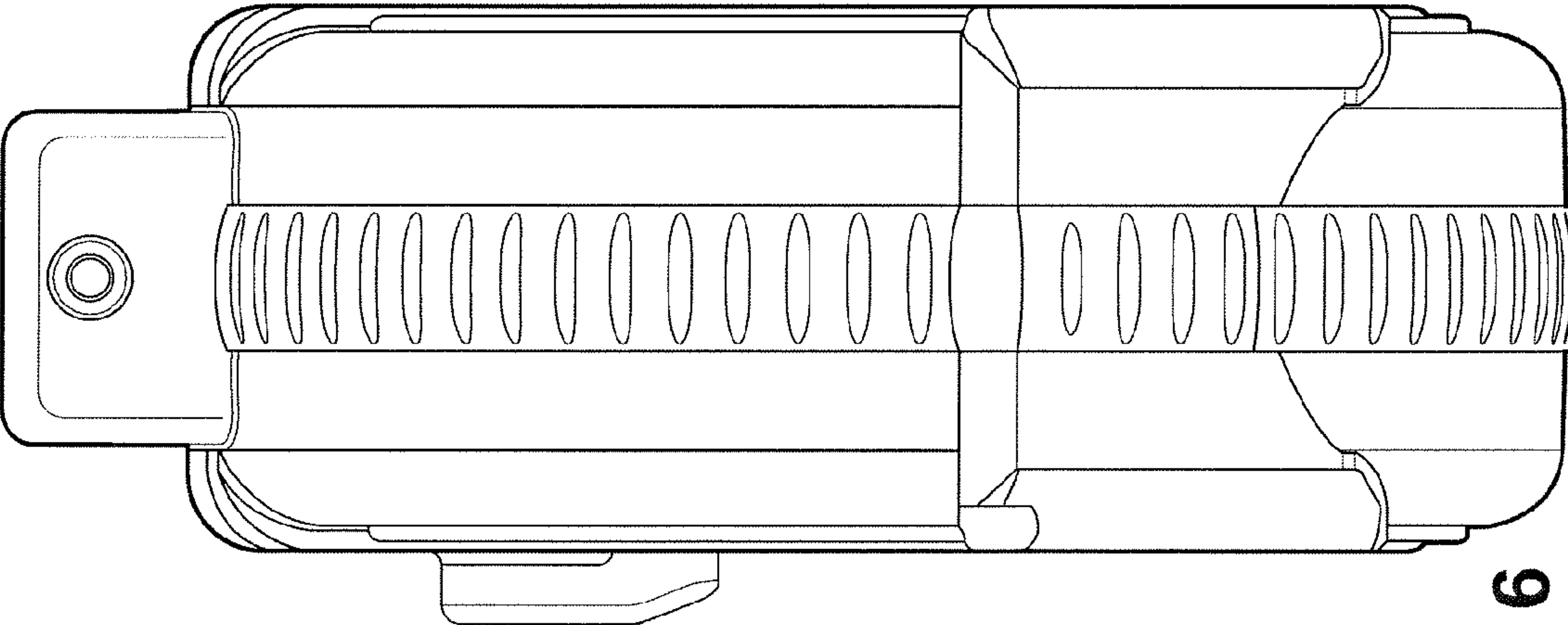


FIG. 6