



US00D624019S

(12) **United States Design Patent**  
**Victor**

(10) **Patent No.:** **US D624,019 S**

(45) **Date of Patent:** **\*\* Sep. 21, 2010**

(54) **CABLE CONNECTOR**

D619,540 S \* 7/2010 Victor ..... D13/154

(76) **Inventor:** **Jay Victor**, 2017 Bataan Rd., Unit A,  
Redondo Beach, CA (US) 90278

\* cited by examiner

*Primary Examiner*—Daniel D Bui

*Assistant Examiner*—Thomas J Johannes

(74) *Attorney, Agent, or Firm*—Trojan Law Offices

(\*\*) **Term:** **14 Years**

(21) **Appl. No.:** **29/344,937**

(57) **CLAIM**

(22) **Filed:** **Oct. 6, 2009**

The ornamental design for a cable connector, as shown and described.

(51) **LOC (9) Cl.** ..... **13-03**

(52) **U.S. Cl.** ..... **D13/133**

(58) **Field of Classification Search** ..... D13/133,  
D13/146, 149, 153, 154, 156, 184; 439/350,  
439/447, 660, 667, 680–682; D14/432, 433,  
D14/435, 438

**DESCRIPTION**

FIG. 1 is a perspective view of a cable connector, showing my new design;

FIG. 2 is a side view thereof; with the opposite side being a mirror image thereto;

FIG. 3 is a front view thereof; and,

FIG. 4 is a rear view thereof.

See application file for complete search history.

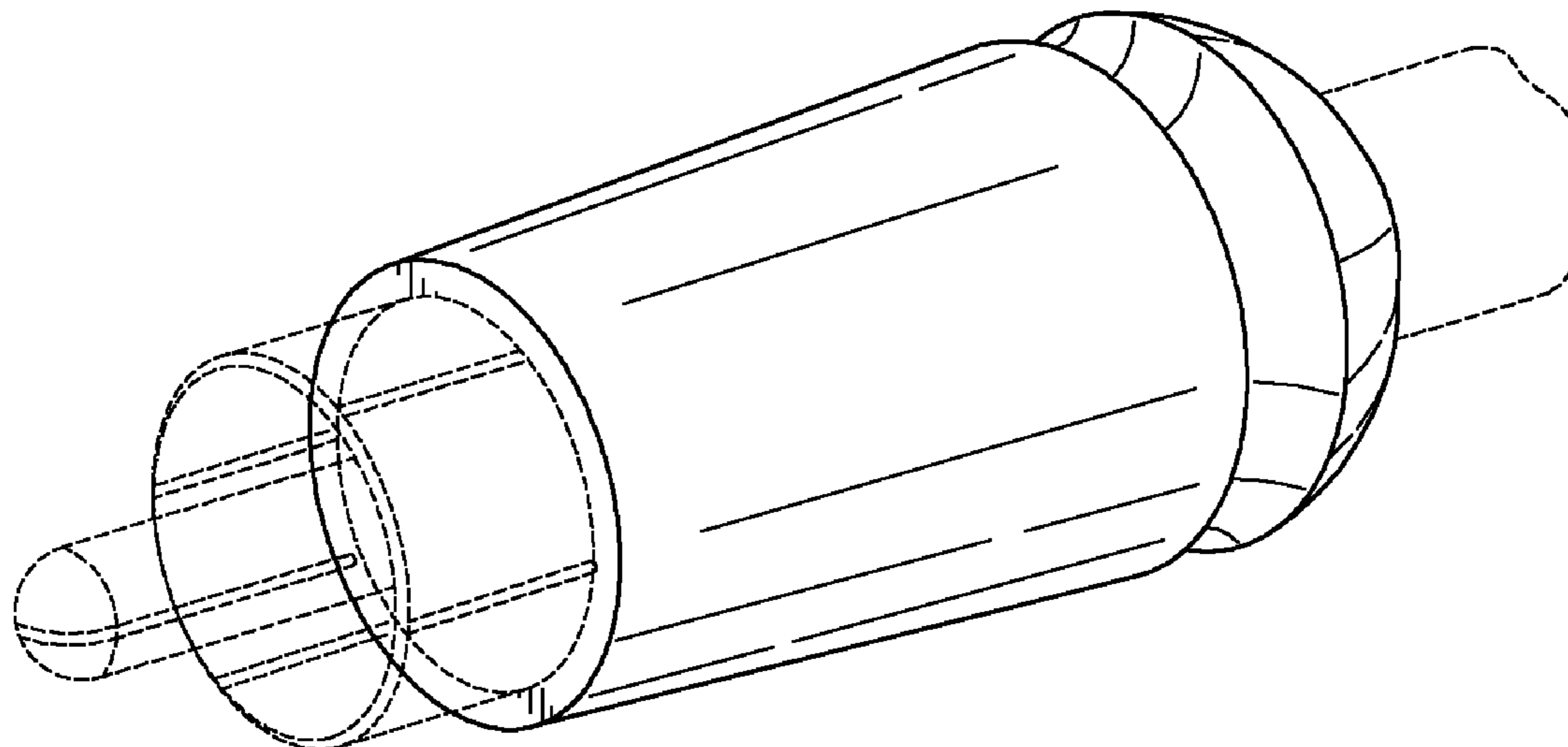
The broken lines showing a plug pin in FIGS. 1 through 3 and a cable cord in FIGS. 1, 2, and 4 show unclaimed subject matter only and form no part of the claimed design.

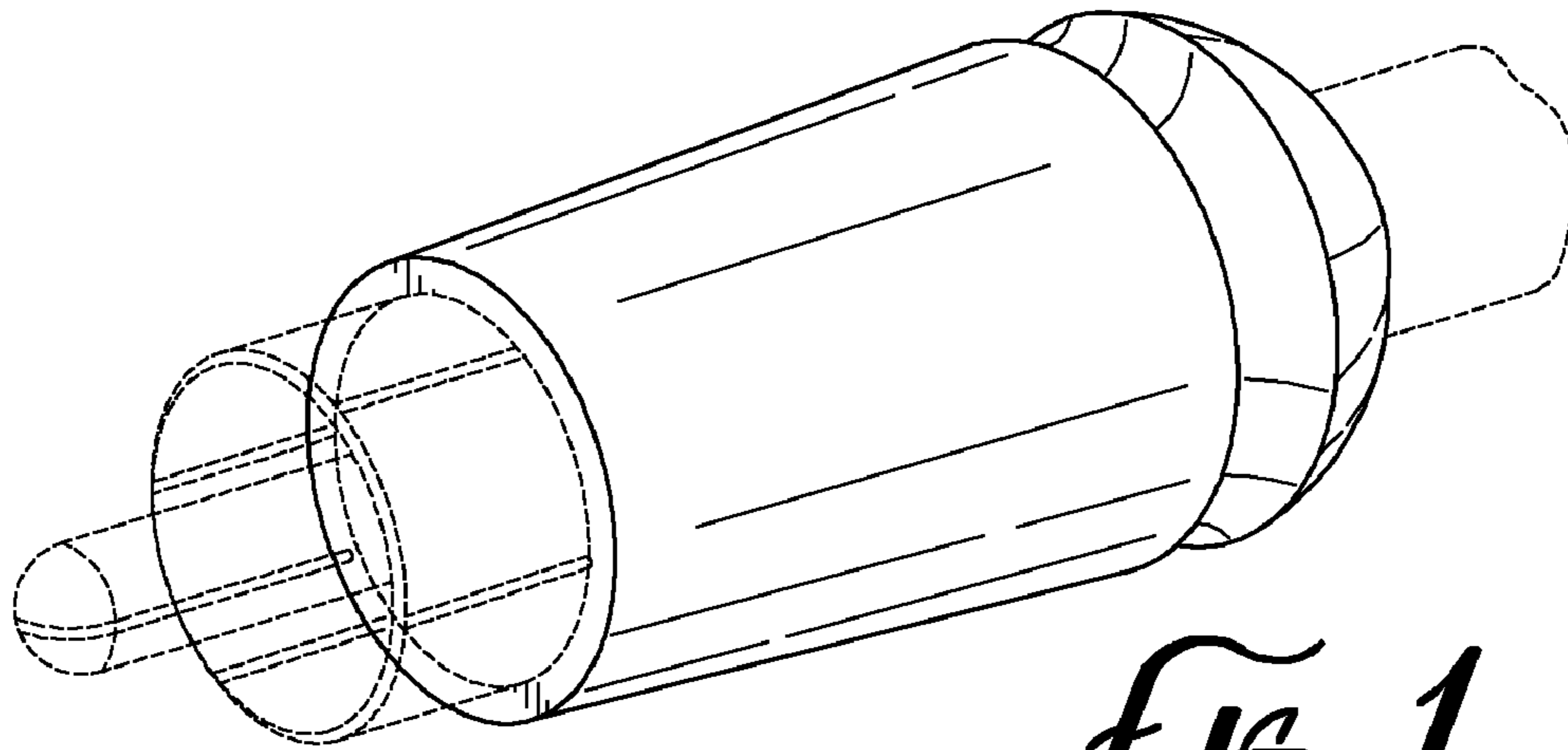
(56) **References Cited**

**U.S. PATENT DOCUMENTS**

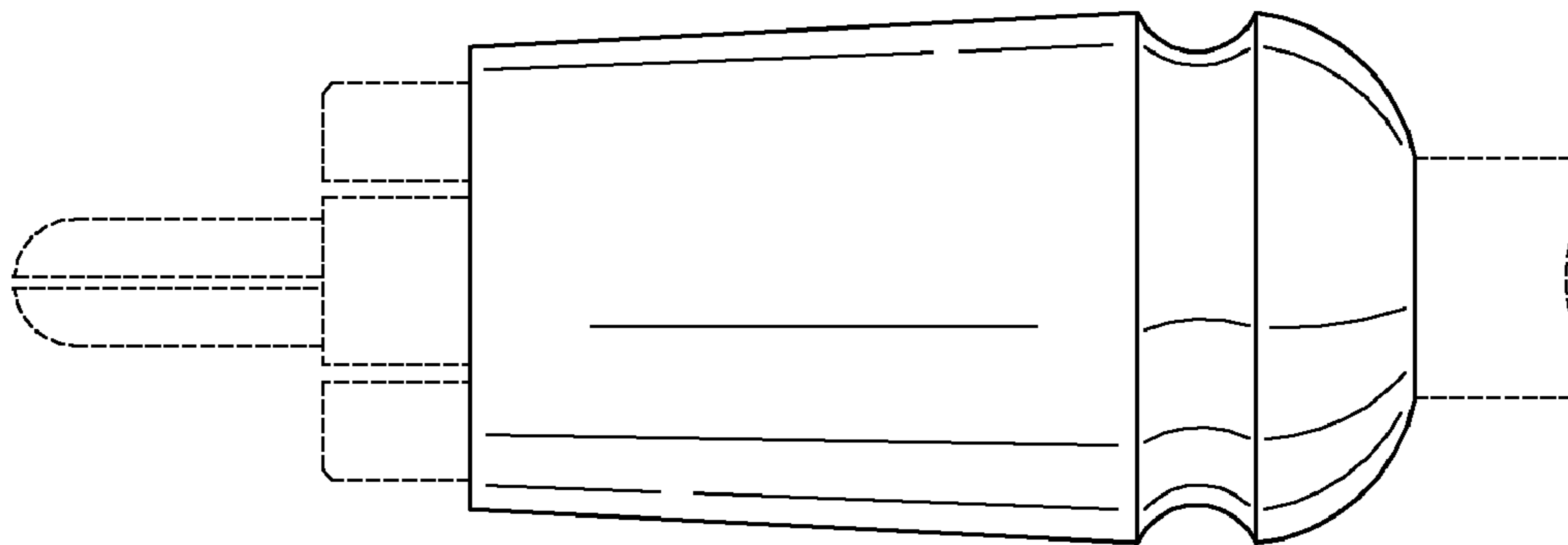
D414,462 S *	9/1999	Peterson et al. ....	D13/133
D560,616 S *	1/2008	Victor .....	D13/154
D570,788 S *	6/2008	Lee et al. ....	D13/156
D570,789 S *	6/2008	Lee et al. ....	D13/156

**1 Claim, 1 Drawing Sheet**

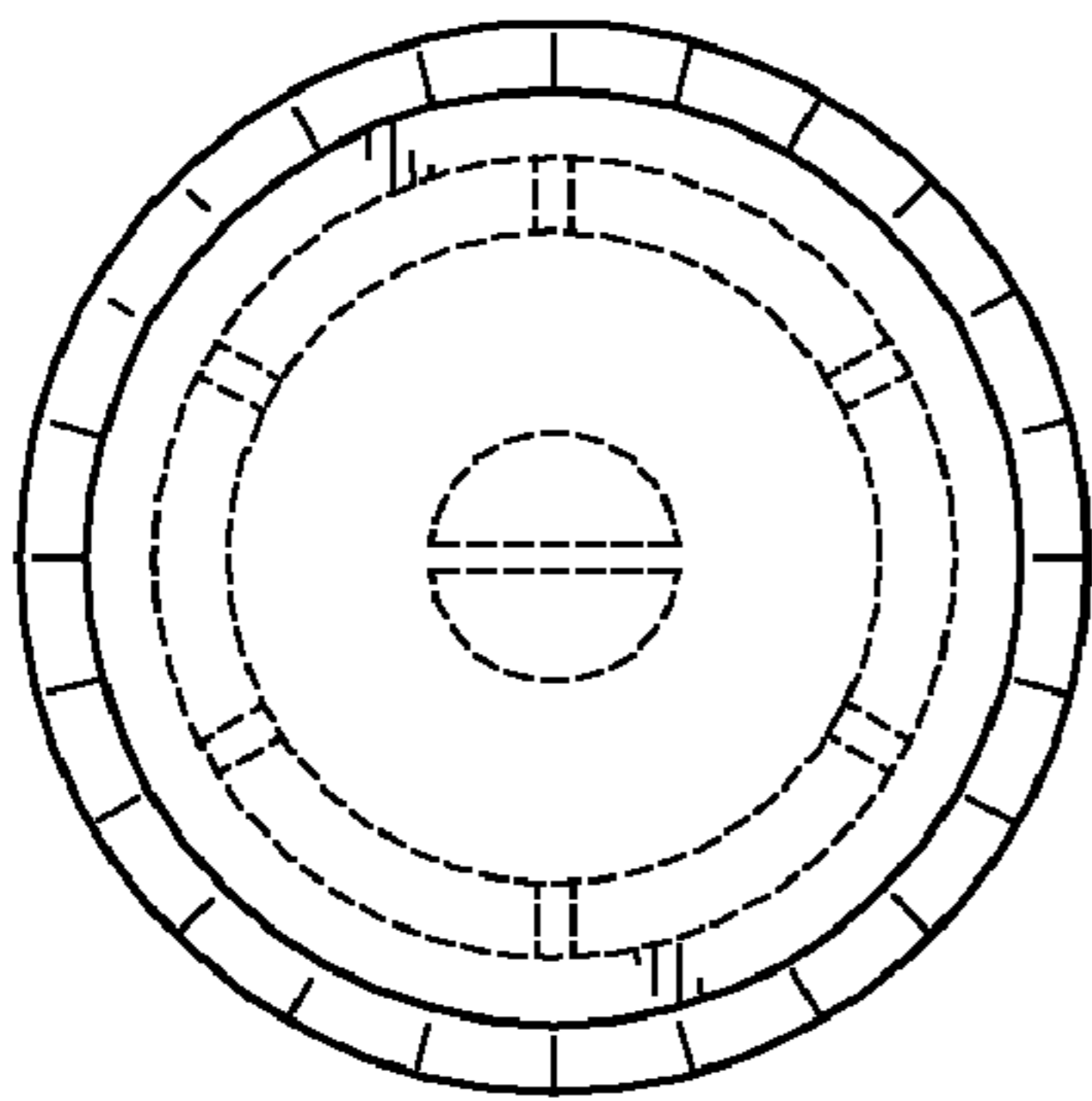




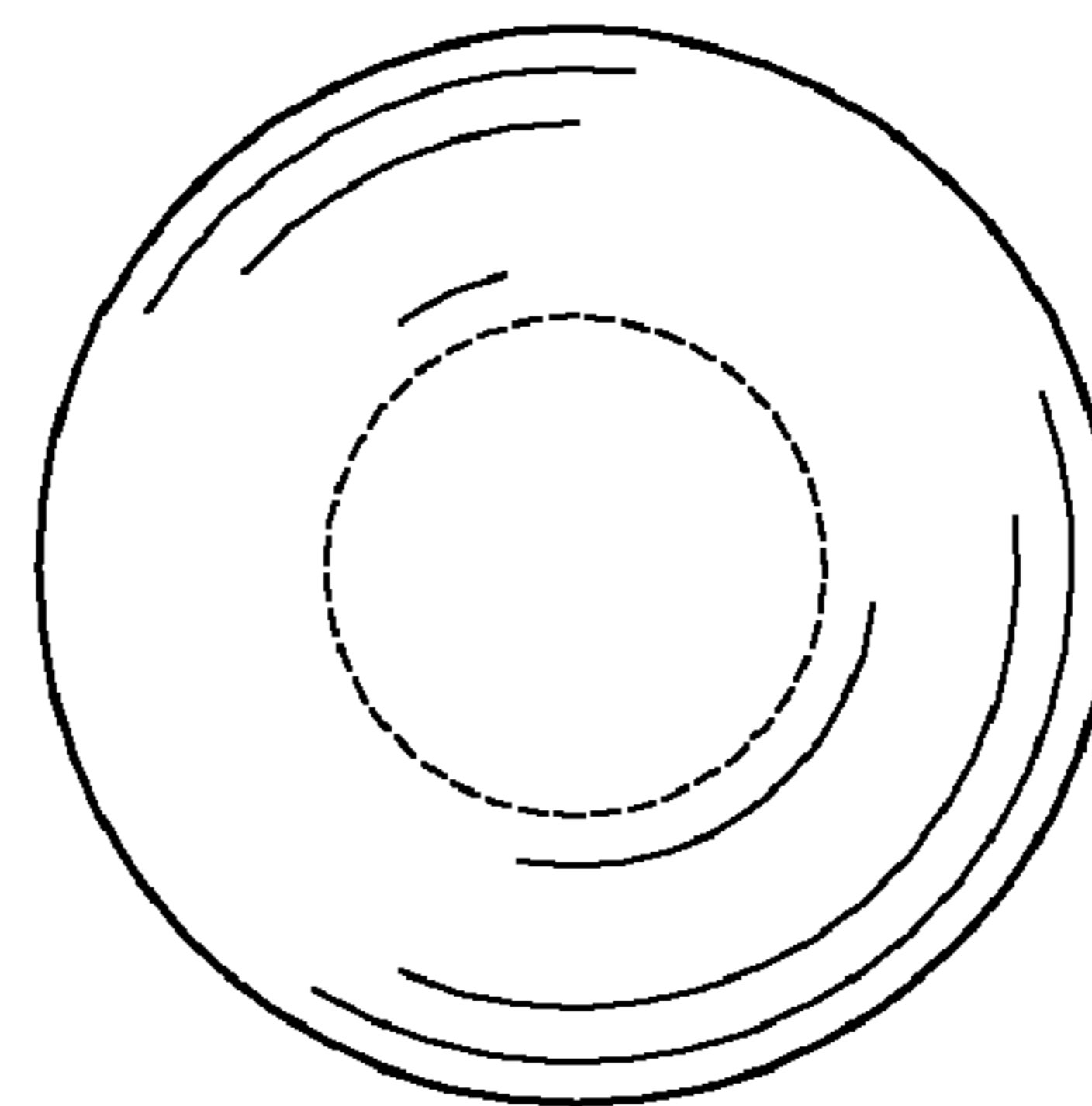
*FIG. 1*



*FIG. 2*



*FIG. 3*



*FIG. 4*