



US00D624016S

(12) **United States Design Patent**
Seehoff et al.

(10) **Patent No.:** **US D624,016 S**

(45) **Date of Patent:** **** Sep. 21, 2010**

(54) **BATTERY HOLDER**

(75) Inventors: **Gary Stanley Seehoff**, Encino, CA (US); **Christopher Anzalone**, Foothill Ranch, CA (US); **Huy Kha Nguyen**, Garden Grove, CA (US)

(73) Assignee: **Evrholder Products, LLC**, Anaheim, CA (US)

(**) Term: **14 Years**

(21) Appl. No.: **29/343,833**

(22) Filed: **Sep. 20, 2009**

(51) **LOC (9) Cl.** **13-02**

(52) **U.S. Cl.** **D13/119**

(58) **Field of Classification Search** D13/103,
D13/118-119, 184, 199; D3/304, 313, 315,
D3/284; 206/703-705, 461, 462, 471, 477,
206/485

See application file for complete search history.

(56) **References Cited**

U.S. PATENT DOCUMENTS

D301,575 S * 6/1989 Crawford, Jr. D13/119
D380,611 S * 7/1997 Mancusi D3/284
D468,688 S * 1/2003 Helman D13/119
7,287,648 B2 * 10/2007 Foreman et al. 206/703

D575,735 S * 8/2008 Foreman et al. D13/119
D575,736 S * 8/2008 Foreman et al. D13/119
D575,737 S * 8/2008 Foreman et al. D13/119
D585,371 S * 1/2009 Foreman et al. D13/119
D585,372 S * 1/2009 Foreman et al. D13/119

* cited by examiner

Primary Examiner—Rosemary K Tarca

(57) **CLAIM**

The ornamental design for a battery holder, as shown and described.

DESCRIPTION

FIG. 1 illustrates a top view of the claimed design for a battery holder;

FIG. 2 illustrates a front view thereof;

FIG. 3 illustrates a left-side view thereof;

FIG. 4 illustrates a right-side view thereof;

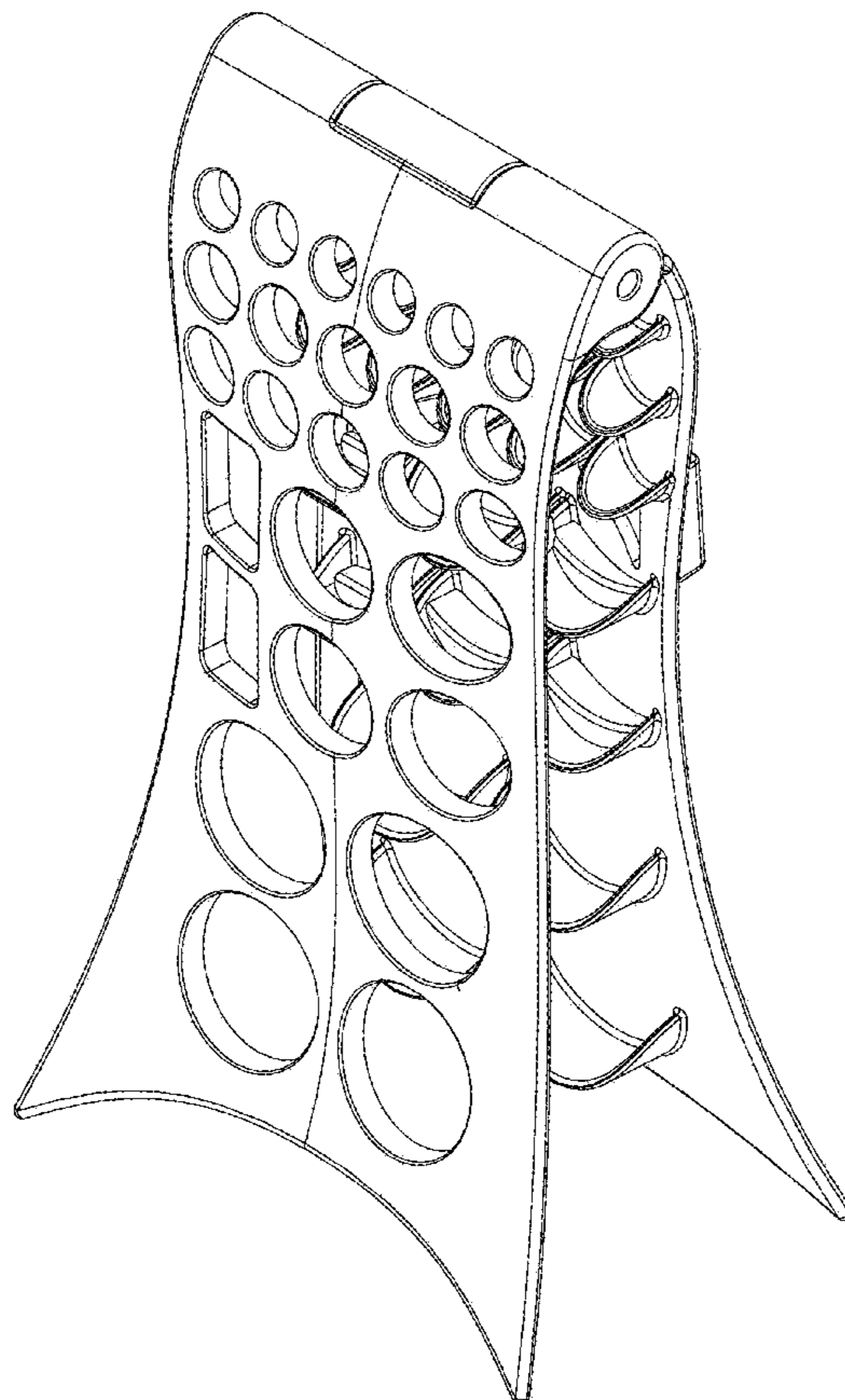
FIG. 5 illustrates a rear view thereof;

FIG. 6 illustrates a bottom view thereof;

FIG. 7 illustrates a cross-sectional view thereof, taken along line 7—7 of FIG. 2; and,

FIG. 8 illustrates a perspective view thereof.

1 Claim, 8 Drawing Sheets



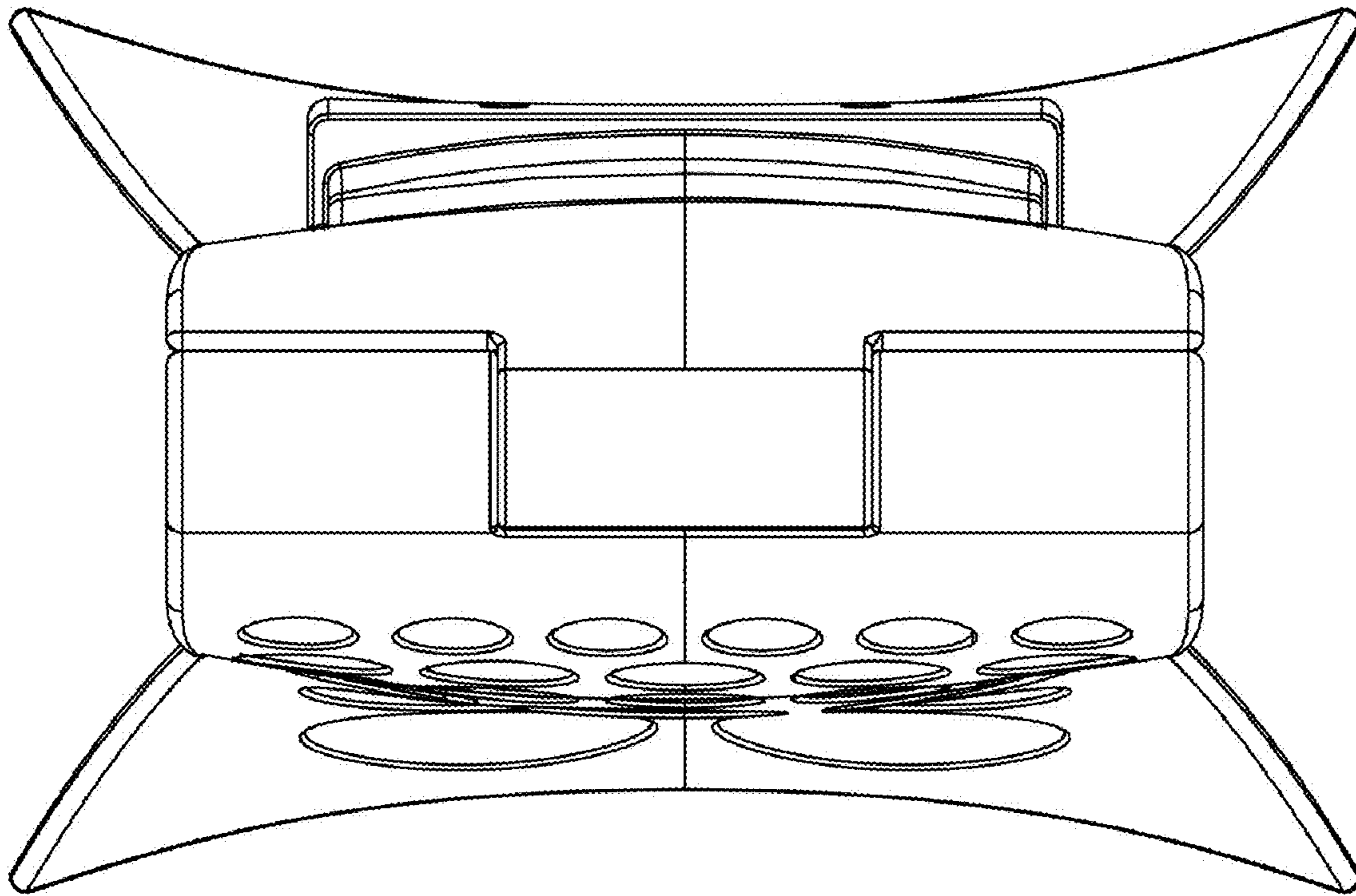


Fig. 1

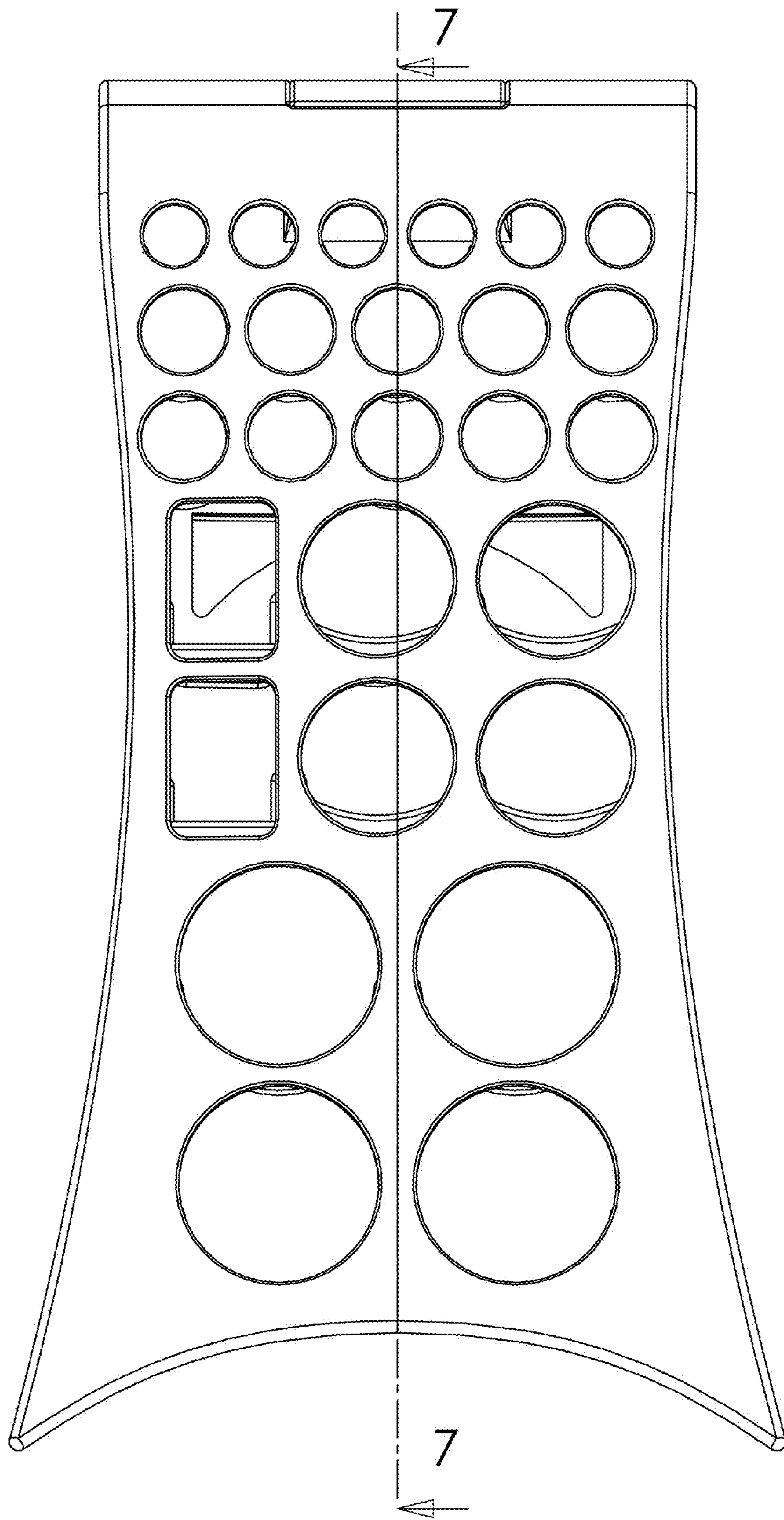


Fig. 2

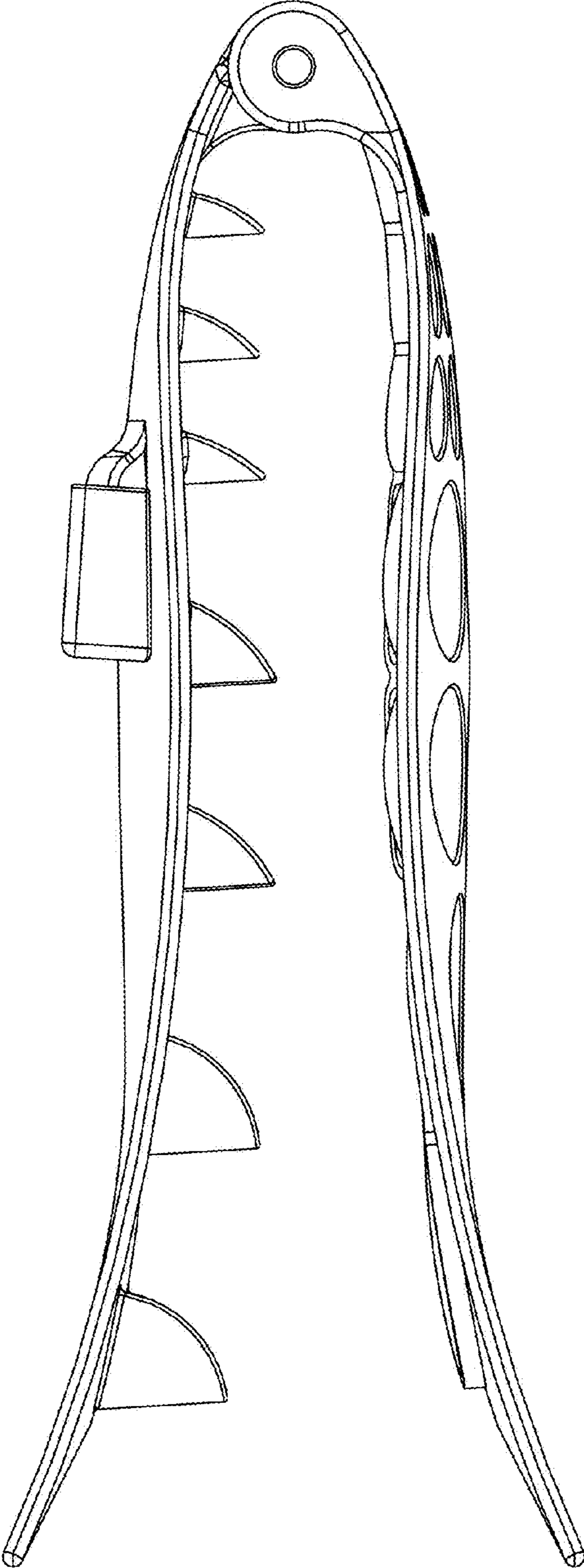


Fig. 3

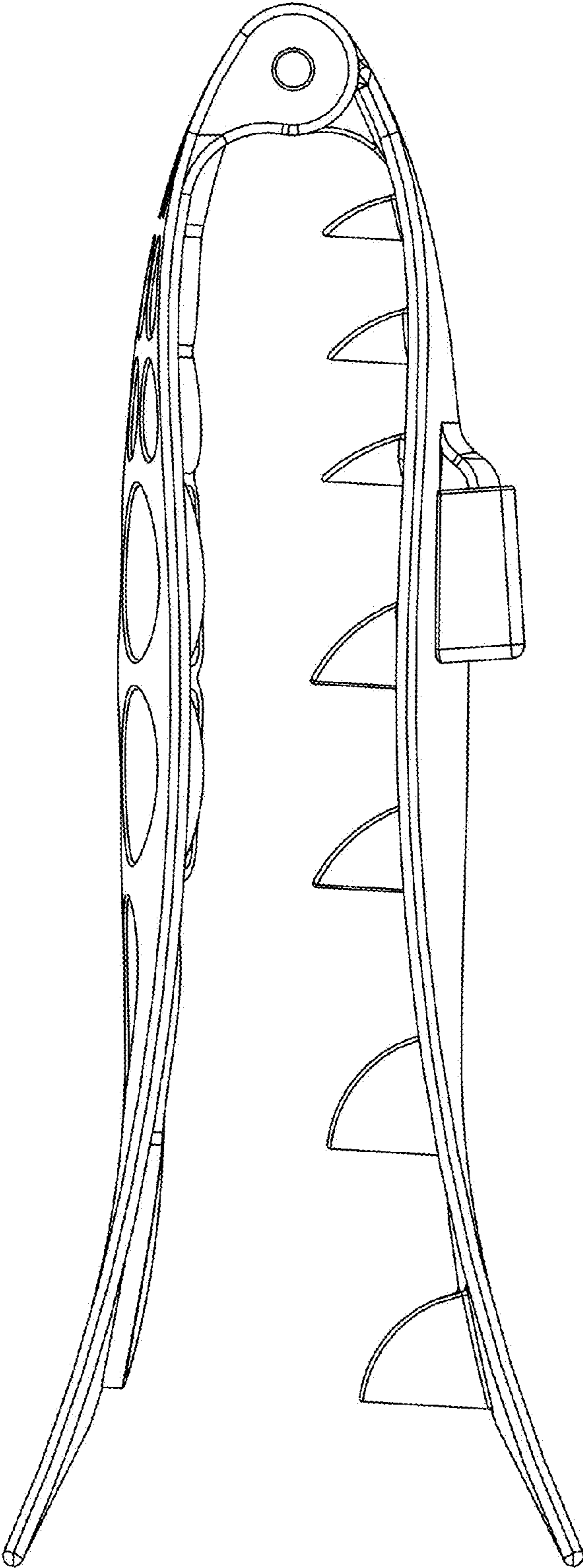


Fig. 4

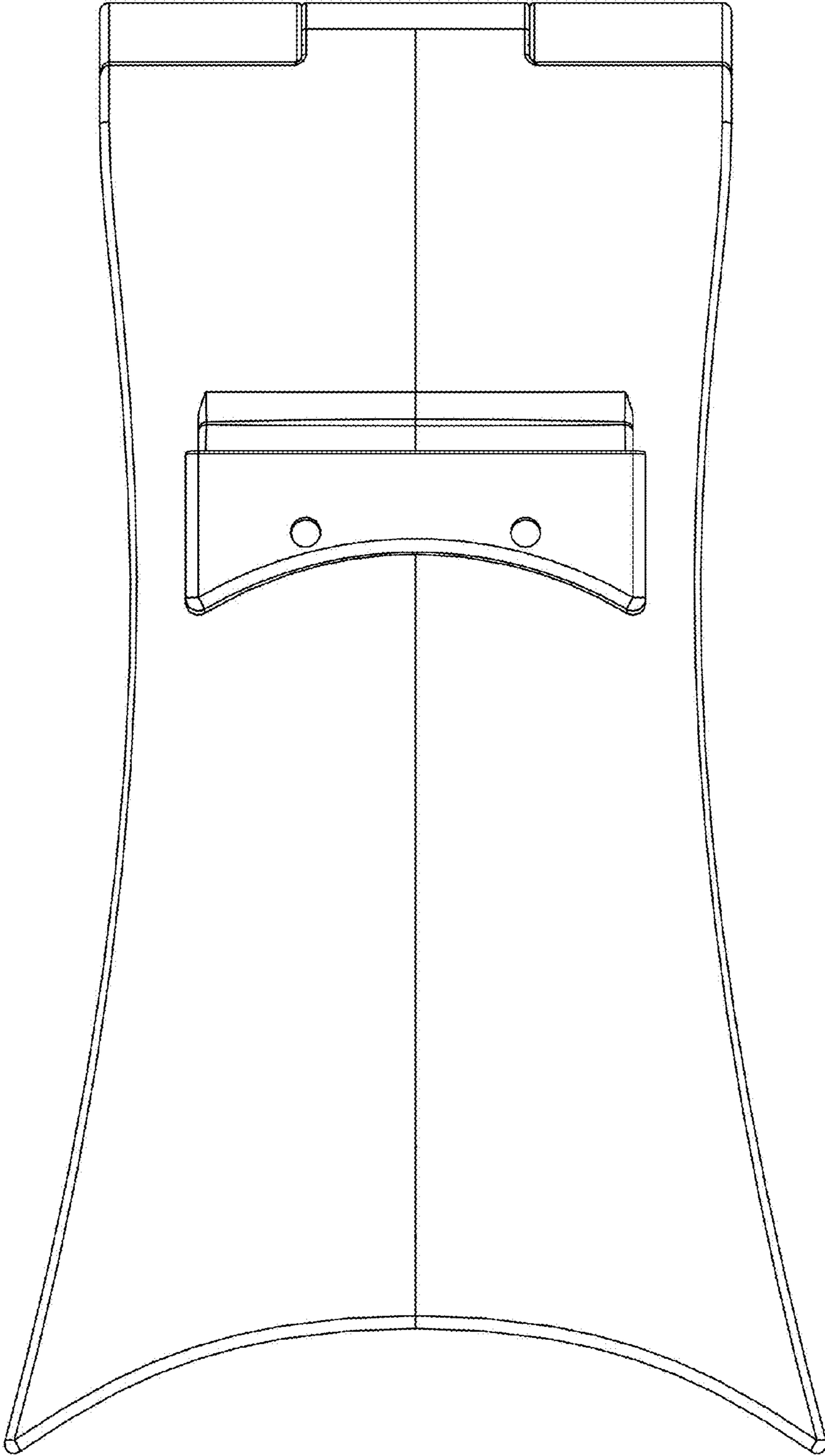


Fig. 5

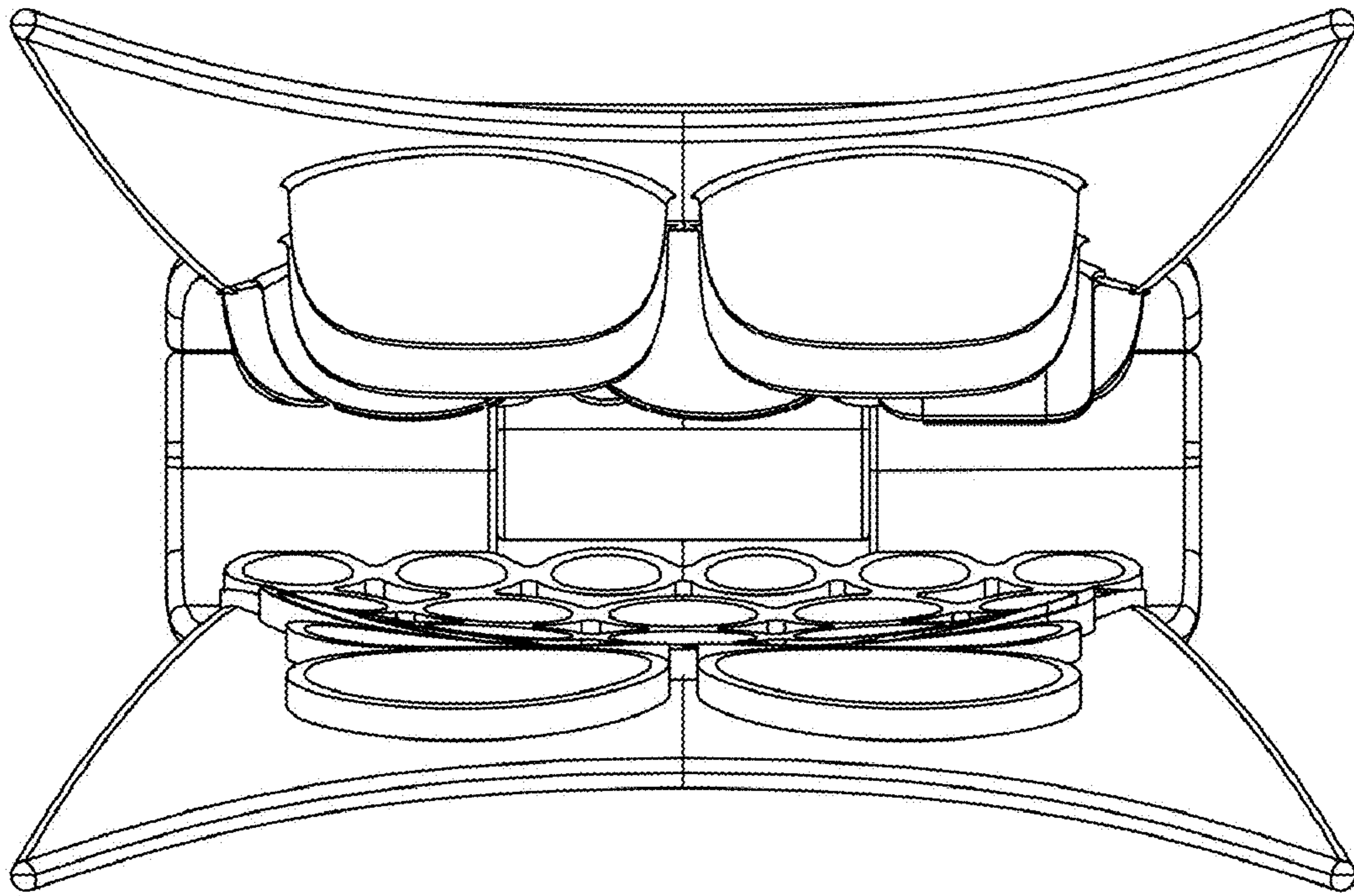


Fig. 6

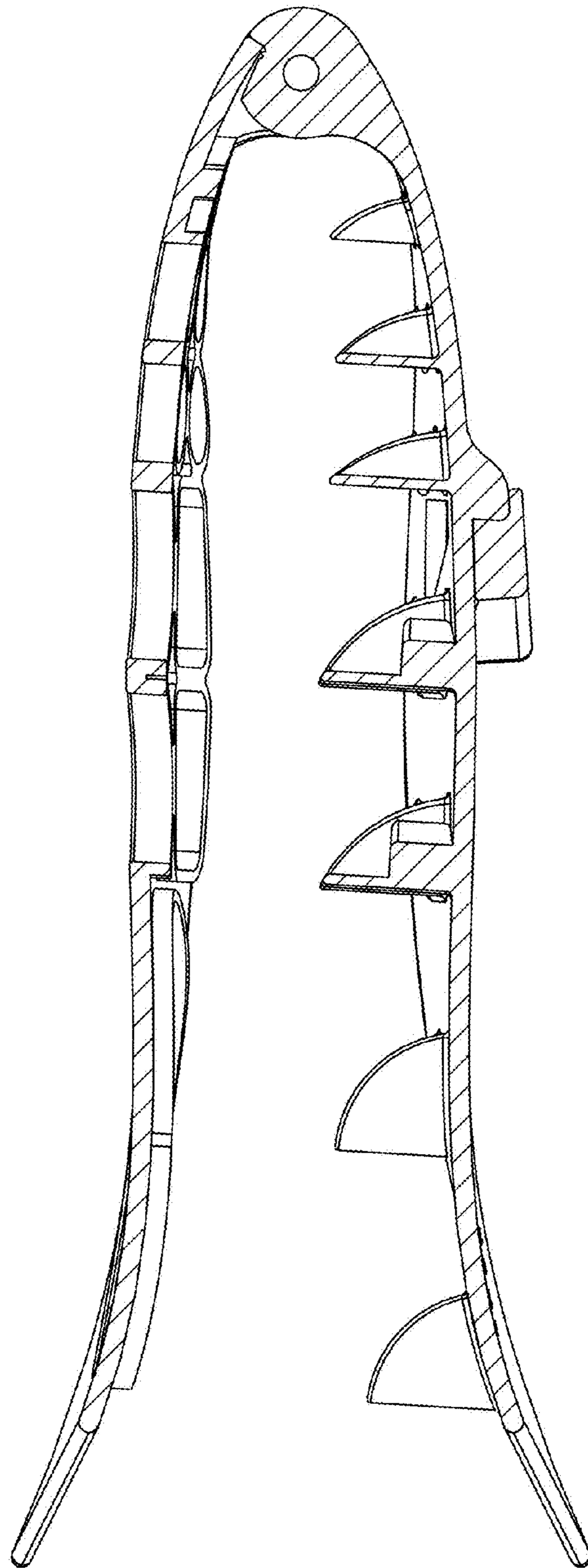


Fig. 7

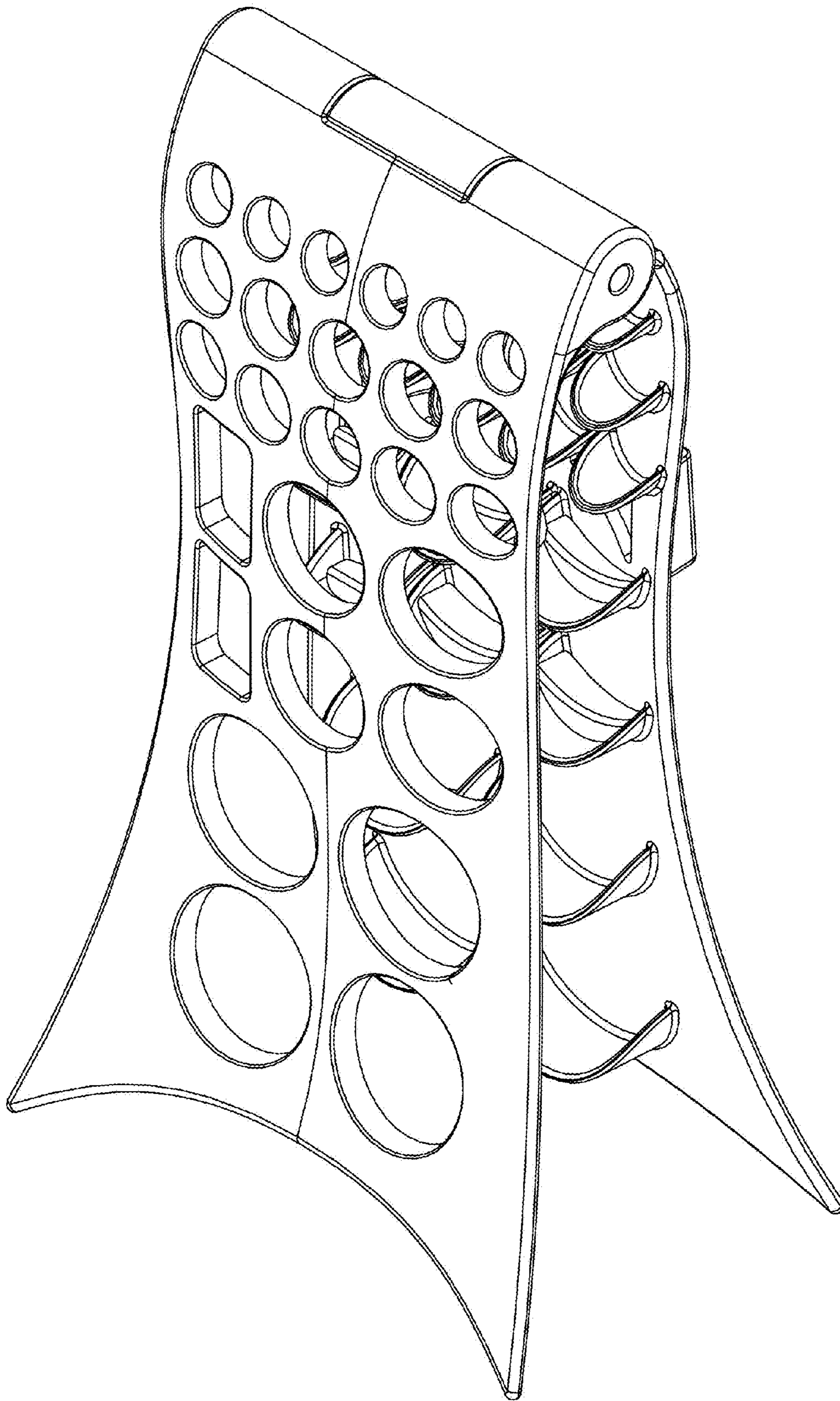


Fig. 8