



US00D624015S

(12) **United States Design Patent**
Walker et al.

(10) **Patent No.:** **US D624,015 S**
(45) **Date of Patent:** **** Sep. 21, 2010**

(54) **LIQUID COOLED MOTOR**

(75) Inventors: **Adam Walker**, Simpsonville, SC (US);
William E. Martin, Greenville, SC
(US); **Andreas A. Meyers**, Richmond
Heights, OH (US)

(73) Assignee: **Baldor Electric Company**, Fort Smith,
AK (US)

(**) Term: **14 Years**

(21) Appl. No.: **29/329,560**

(22) Filed: **Dec. 17, 2008**

(51) **LOC (9) Cl.** **13-01**

(52) **U.S. Cl.** **D13/112; D15/3**

(58) **Field of Classification Search** D15/1,
D15/3, 9, 5, 199; D13/112, 114, 133, 199;
310/52, 54, 51, 58, 59, 60 A, 10, 40 R, 71,
310/85, 89, 57, 62, 63

See application file for complete search history.

(56) **References Cited**

U.S. PATENT DOCUMENTS

D236,985	S *	9/1975	Baumann	D13/114
4,186,319	A *	1/1980	Dochterman	310/89
D304,169	S *	10/1989	Hoshino et al.	D13/112
D314,550	S *	2/1991	Sieber	D13/114
D333,473	S *	2/1993	Aizawa	D15/5
5,859,482	A *	1/1999	Crowell et al.	310/54
D454,539	S *	3/2002	Poag	D13/122
6,633,097	B2 *	10/2003	Dunlap et al.	310/54
6,731,036	B2 *	5/2004	Ghiotto	310/89
6,909,210	B1 *	6/2005	Bostwick	310/58

7,005,765	B1 *	2/2006	Schulz et al.	310/54
7,397,154	B2 *	7/2008	Tilton et al.	310/54
D601,958	S *	10/2009	Huan et al.	D13/112
7,675,209	B2 *	3/2010	Masoudipour et al.	310/89
7,687,945	B2 *	3/2010	Matin et al.	310/89
2008/0252155	A1 *	10/2008	Waddell et al.	310/58
2010/0038979	A1 *	2/2010	Miller et al.	310/60 A

* cited by examiner

Primary Examiner—Ian Simmons

Assistant Examiner—Wan Laymon

(74) *Attorney, Agent, or Firm*—Thompson Coburn LLP;
Matthew J. Himich

(57) **CLAIM**

The ornamental design of an liquid cooled motor, as shown and described.

DESCRIPTION

FIG. 1 is a perspective view of an liquid cooled motor showing our new design; and

FIG. 2 is a right side view of the liquid cooled motor of FIG. 1;

FIG. 3 is a left side view of the liquid cooled motor of FIG. 1;

FIG. 4 is a bottom view of the liquid cooled motor of FIG. 1;

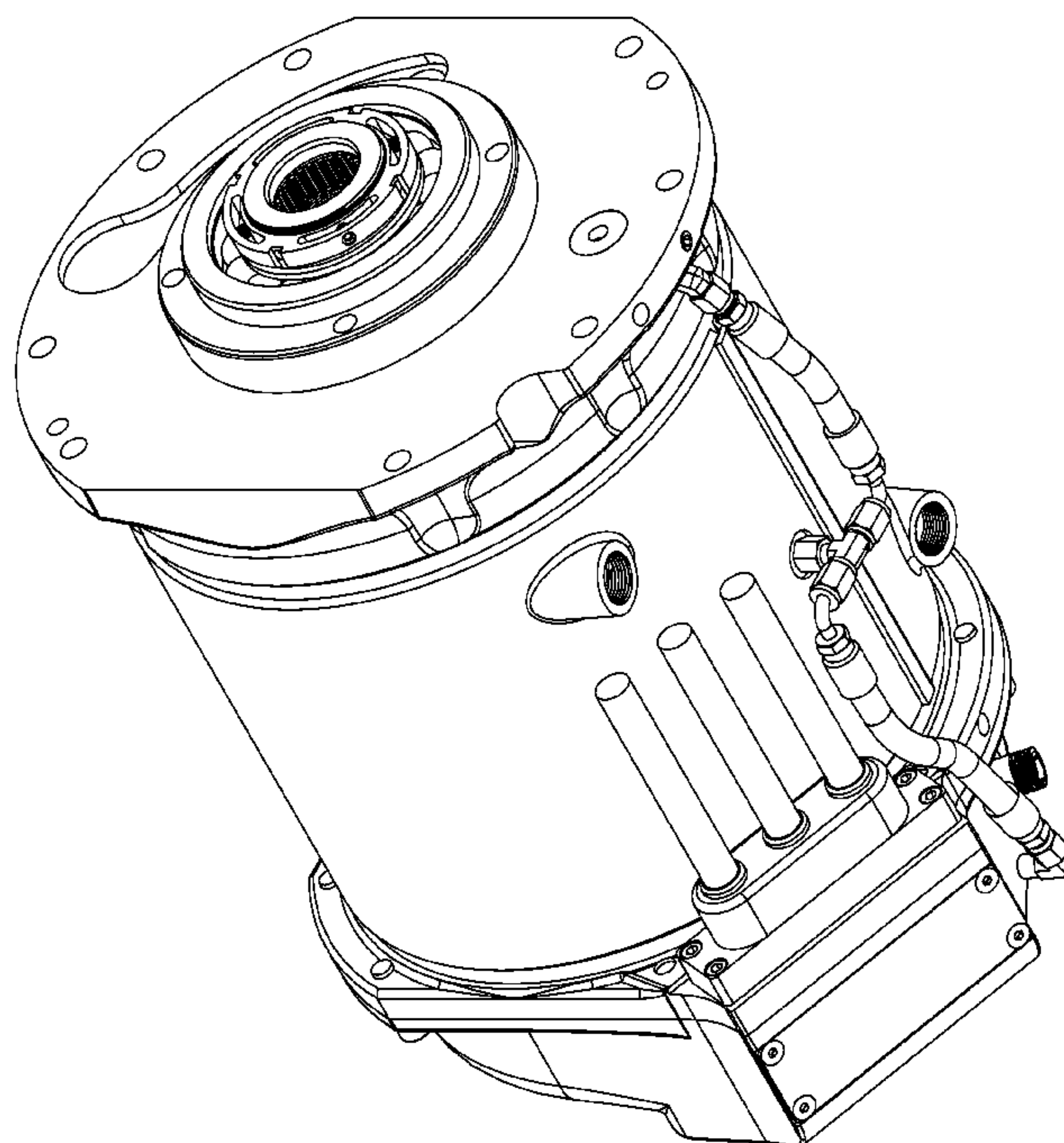
FIG. 5 is a top view of the liquid cooled motor of FIG. 1.

FIG. 6 is a front view of the liquid cooled motor of FIG. 1; and,

FIG. 7 is a rear view of the liquid cooled motor of FIG. 1.

The dashed lines shown in FIGS. 6 and 7 do not form part of the claimed design.

1 Claim, 7 Drawing Sheets



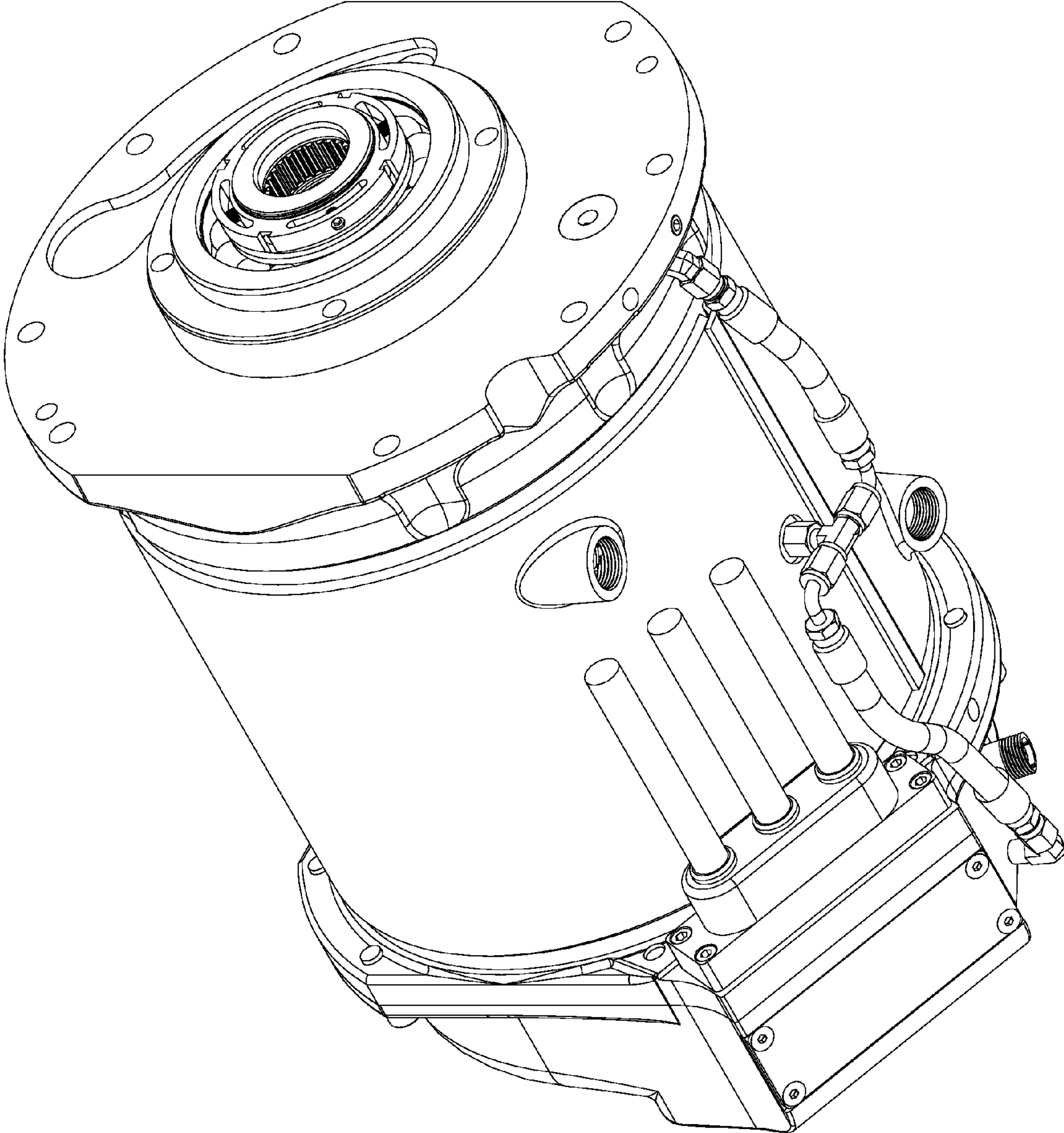


FIG. 1

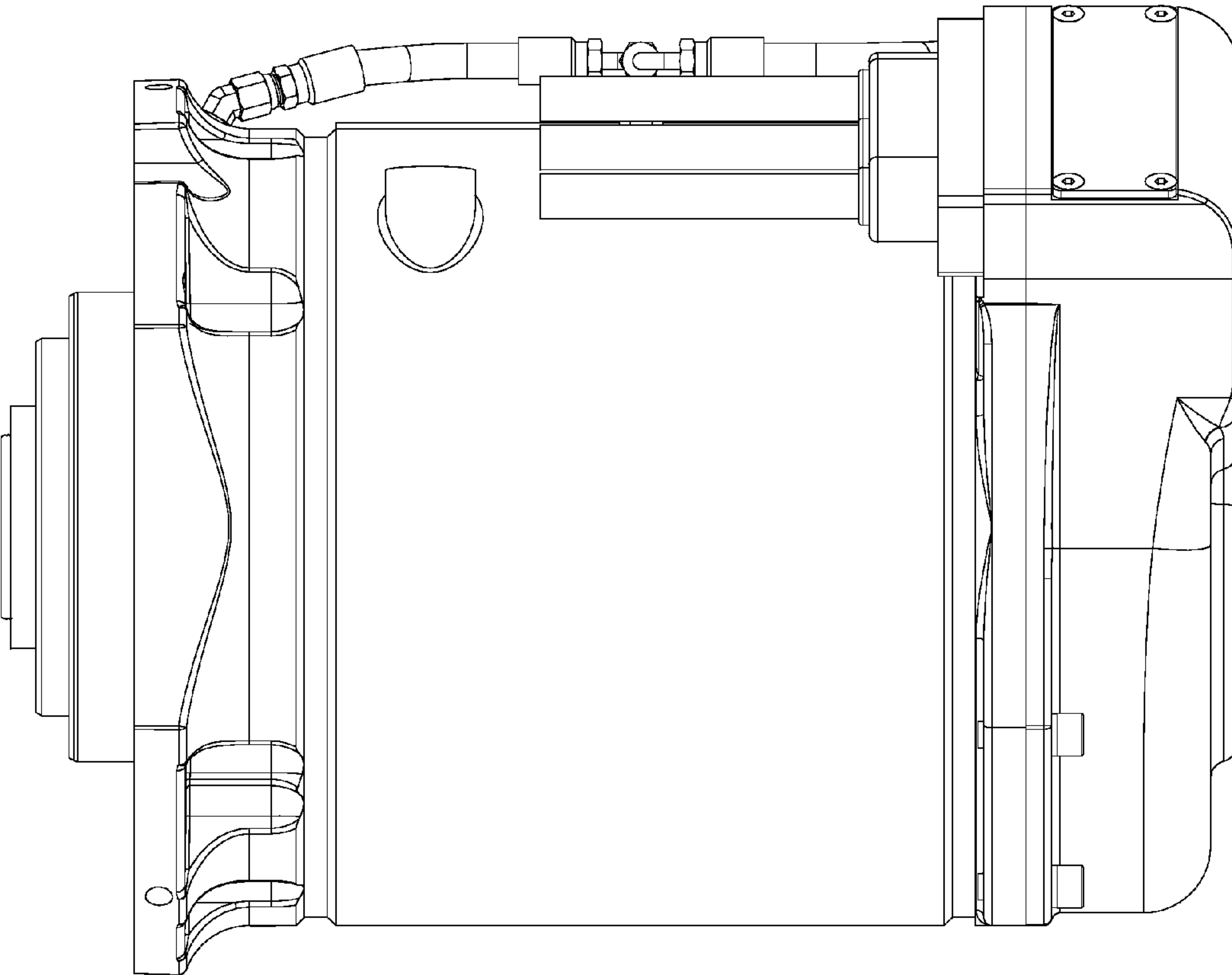


FIG. 2

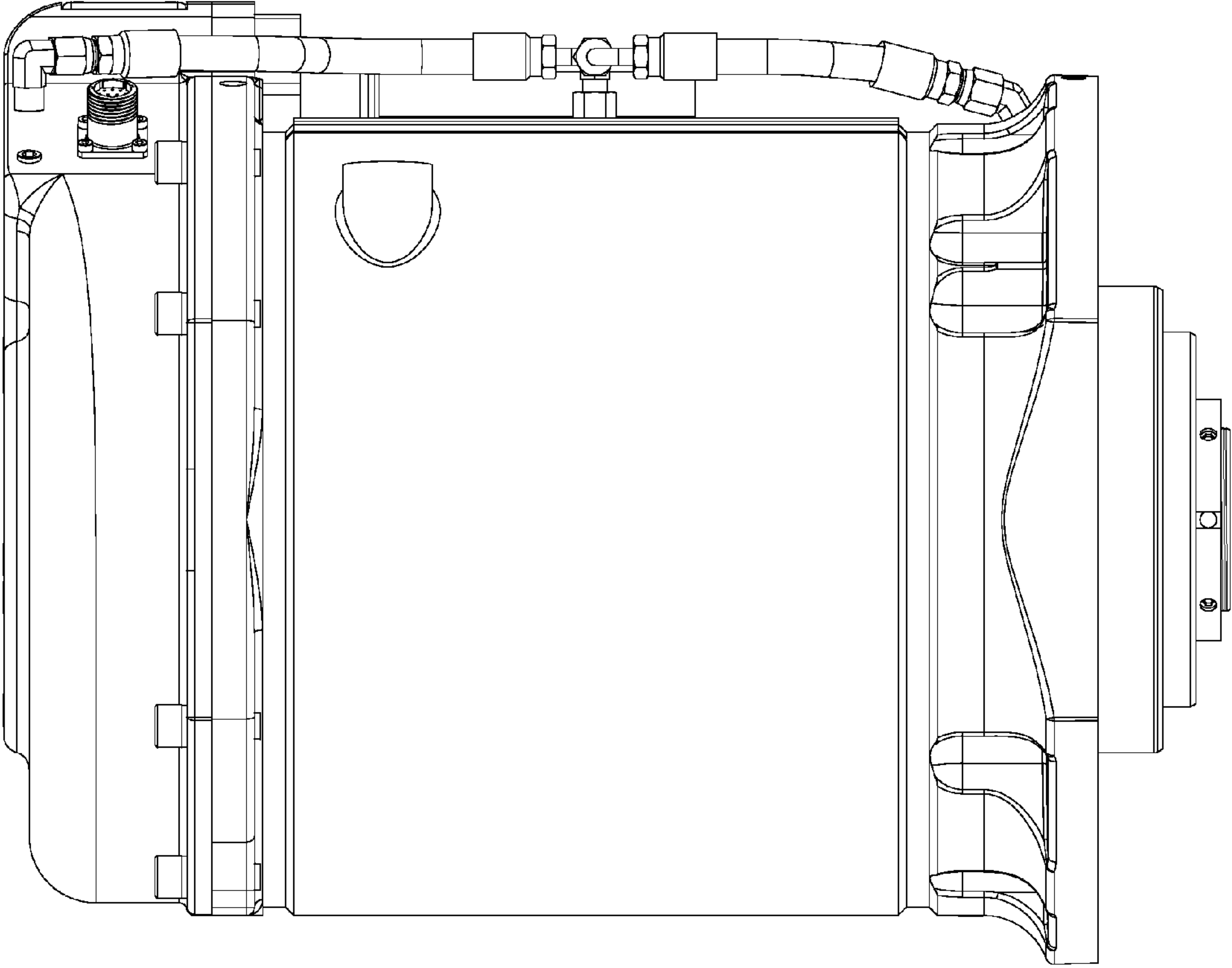


FIG. 3

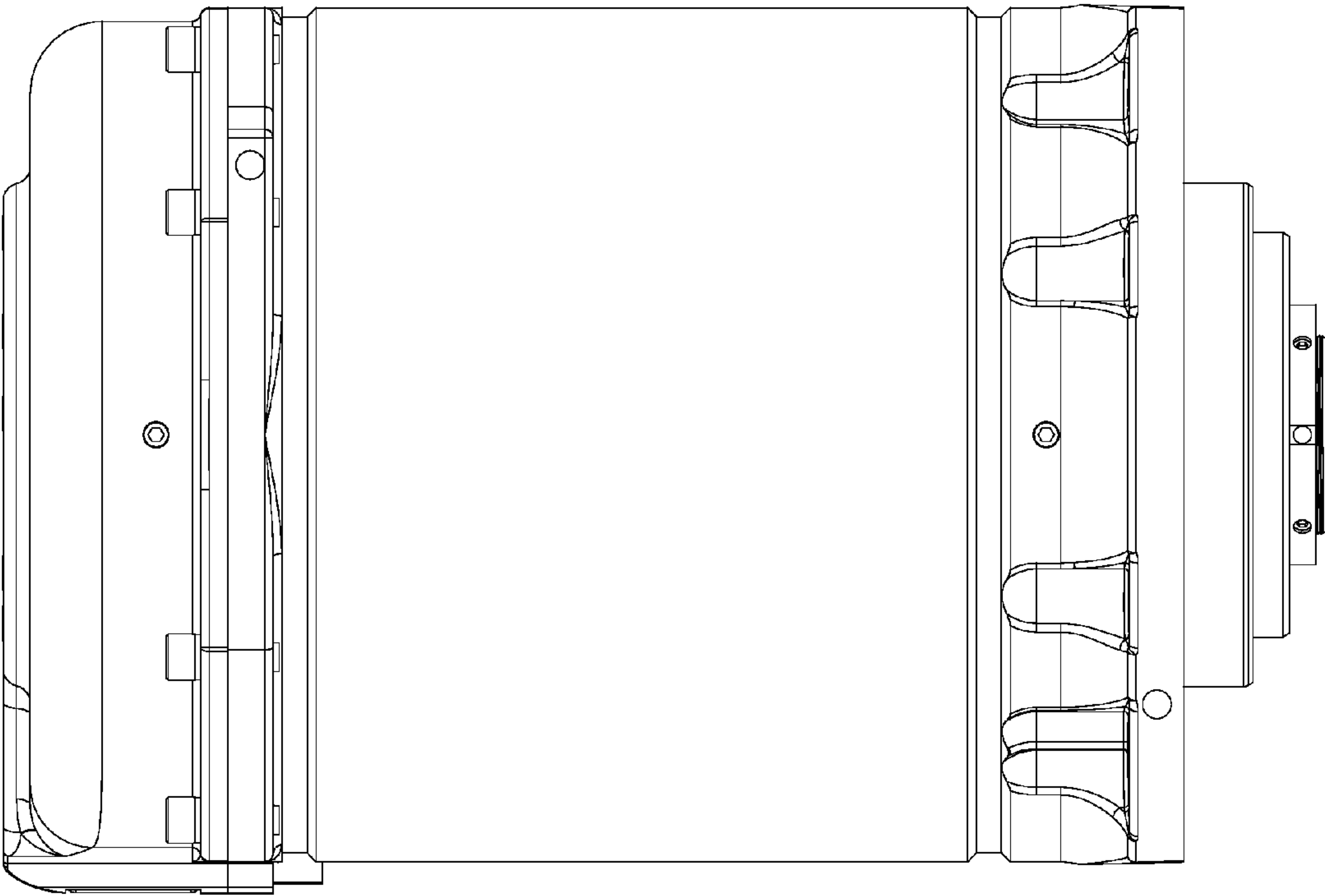


FIG. 4

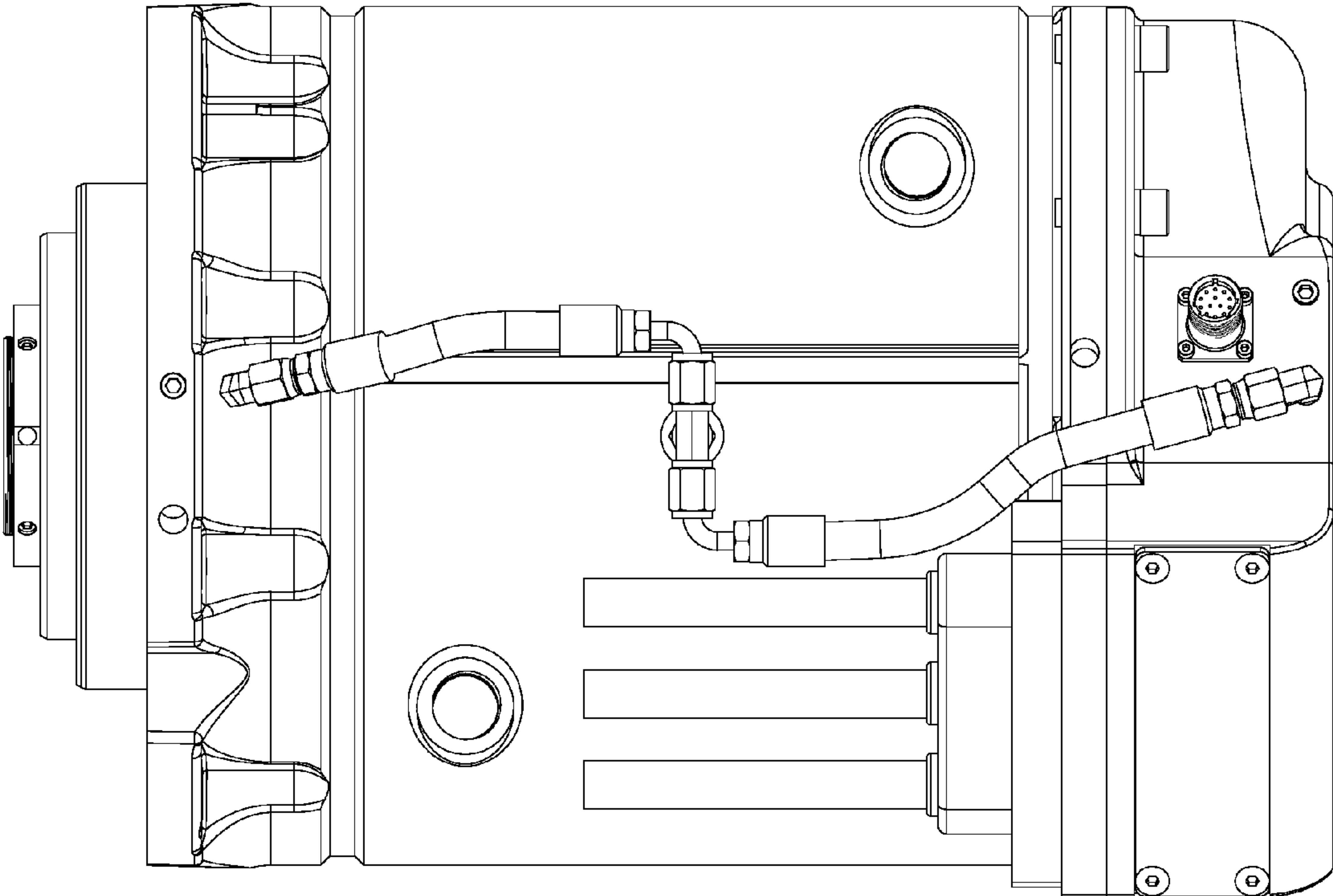


FIG. 5

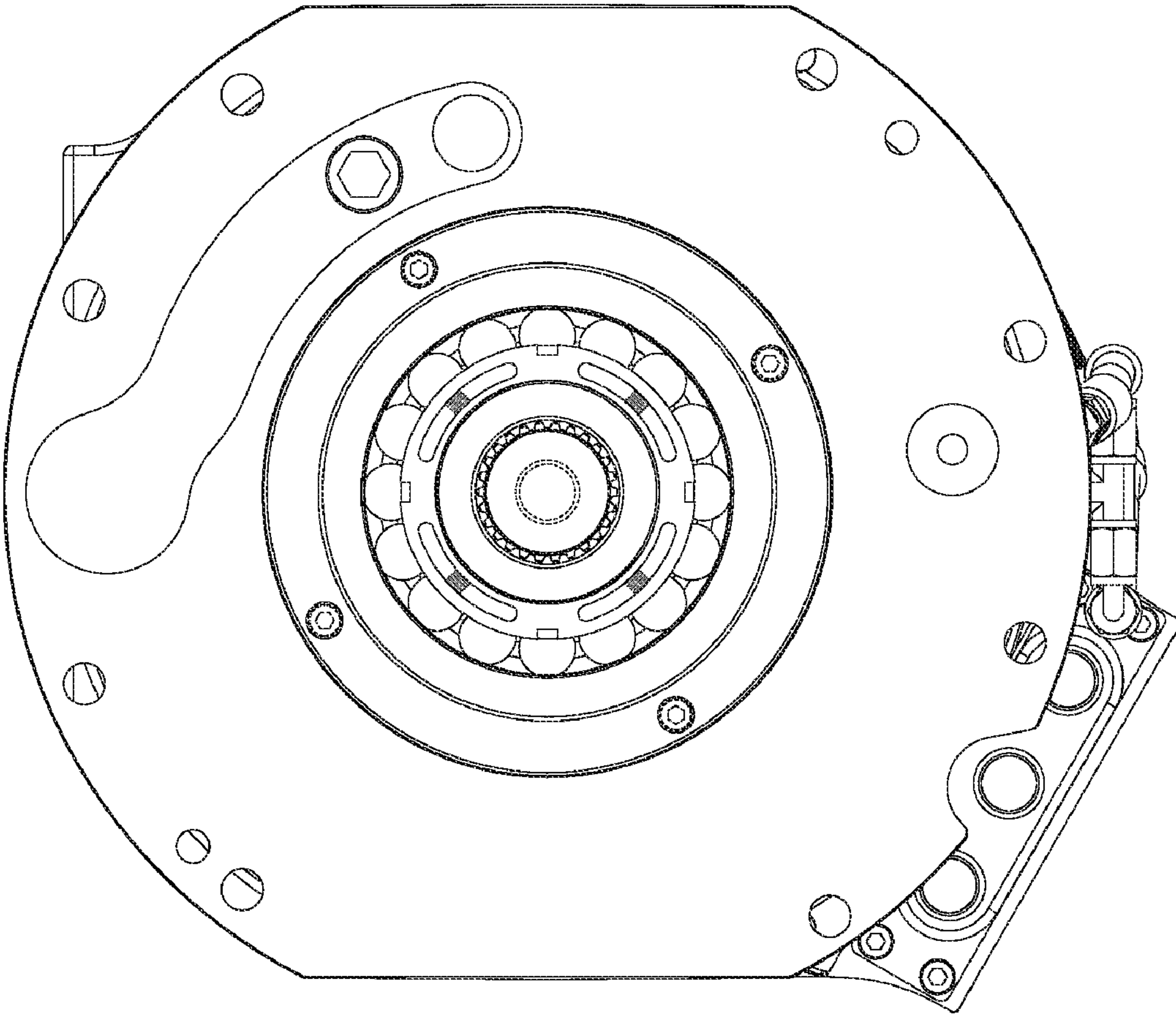


FIG. 6

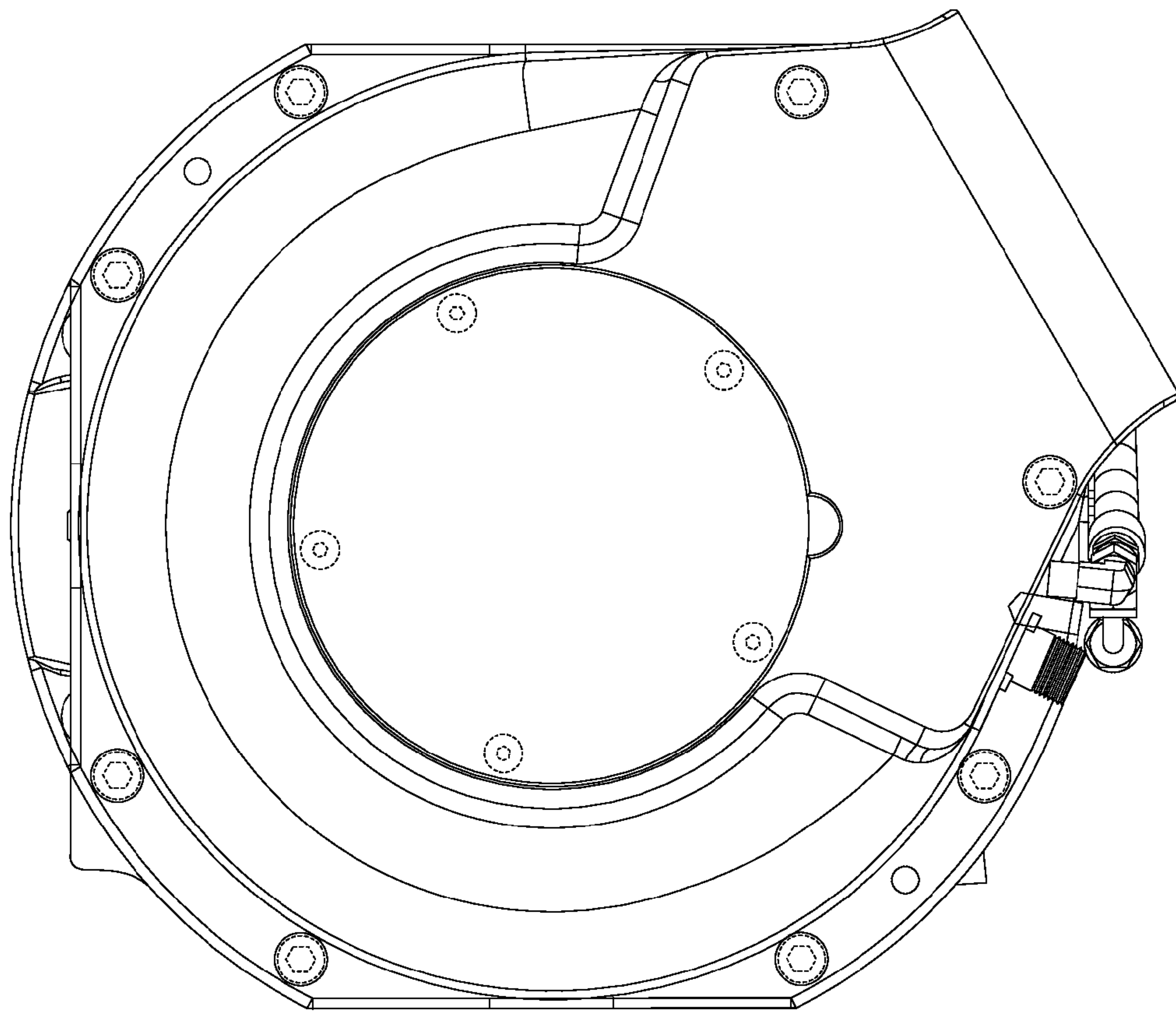


FIG. 7