



US00D624012S

(12) **United States Design Patent**
de Medeiros et al.

(10) **Patent No.:** **US D624,012 S**

(45) **Date of Patent:** **** Sep. 21, 2010**

(54) **PORTABLE BATTERY PACK**

(75) Inventors: **Anna de Medeiros**, Beaconsfield (CA);
Ilesh Parmar, Kanata (CA)

(73) Assignee: **Ecosol Solar Technologies, Inc.**, Ottawa
(CA)

(**) Term: **14 Years**

(21) Appl. No.: **29/250,253**

(22) Filed: **Nov. 8, 2006**

(51) **LOC (9) Cl.** **13-02**

(52) **U.S. Cl.** **D13/103; D14/435.1**

(58) **Field of Classification Search** D13/107-108;
D14/356, 358, 435.1

See application file for complete search history.

(56) **References Cited**

U.S. PATENT DOCUMENTS

D460,041 S *	7/2002	Tsay et al.	D13/107
D460,943 S *	7/2002	Tsay et al.	D13/107
D465,451 S *	11/2002	Hirano et al.	D13/107
D486,788 S *	2/2004	Riede	D13/108
D521,509 S *	5/2006	Chen	D14/480.5
D524,811 S *	7/2006	Kent et al.	D14/484.1
D542,787 S *	5/2007	Siu	D14/356
D543,202 S *	5/2007	Siu	D14/356
D556,752 S *	12/2007	Otsuka	D14/356

D566,707 S *	4/2008	Patton et al.	D14/356
D583,374 S *	12/2008	Otsuka	D14/356
D583,816 S *	12/2008	Guccione et al.	D14/358

* cited by examiner

Primary Examiner—Rosemary K Tarcza

(74) *Attorney, Agent, or Firm*—Sean Liam Kelleher; Kelleher IP, PLLC

(57) **CLAIM**

The ornamental design for a portable battery pack, as shown and described.

DESCRIPTION

FIG. 1 is a perspective view of a portable battery pack according to the present design;

FIG. 2 is a rear elevation view of a portable battery pack according to the present design;

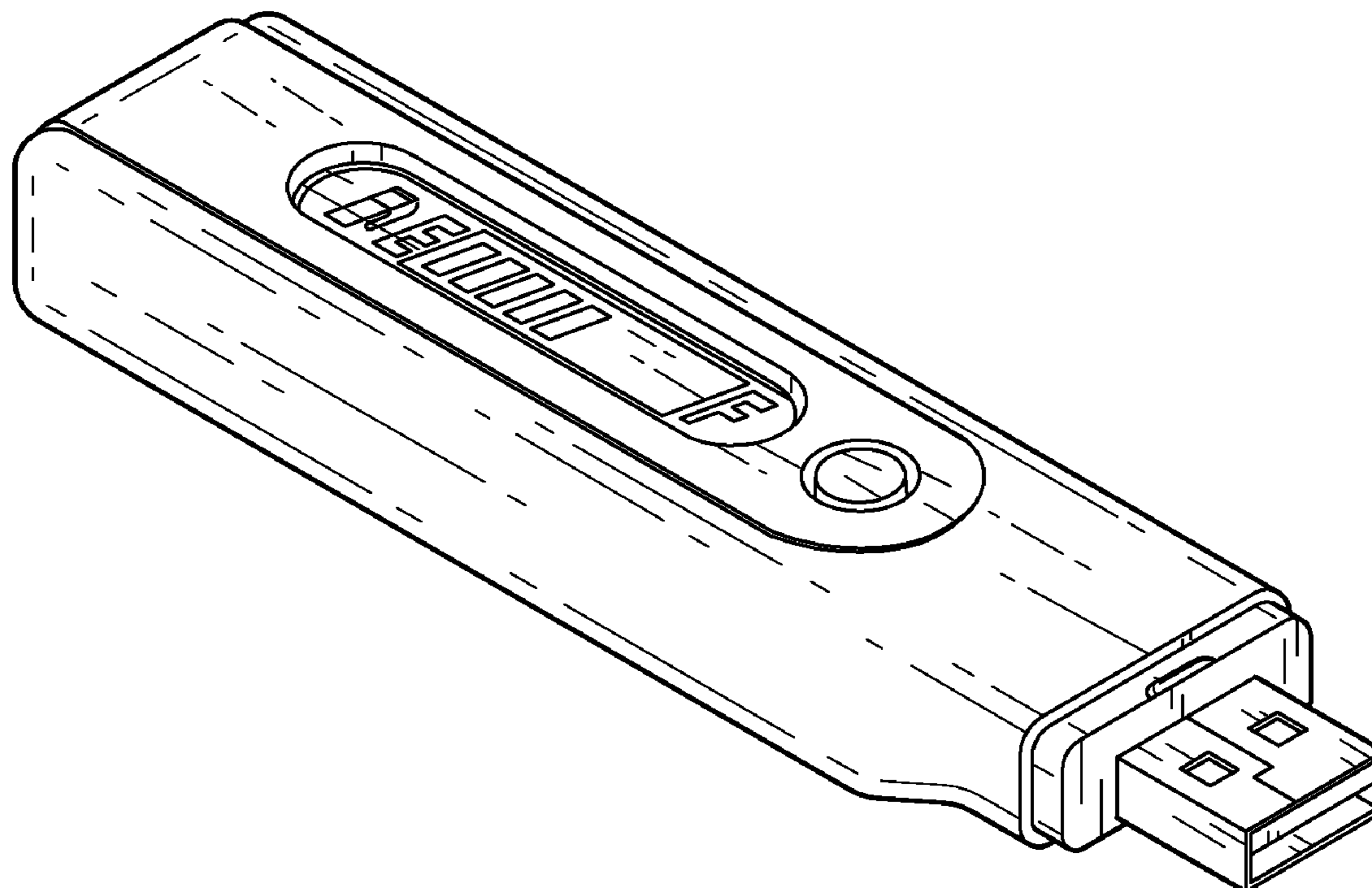
FIG. 3 is a top elevation view of a portable battery pack according to the present design;

FIG. 4 is a front elevation view of a portable battery according to the present design;

FIG. 5 is a bottom elevation view of a portable battery pack according to the present design; and,

FIG. 6 is a side elevation view of a portable battery pack according to the present design.

1 Claim, 2 Drawing Sheets



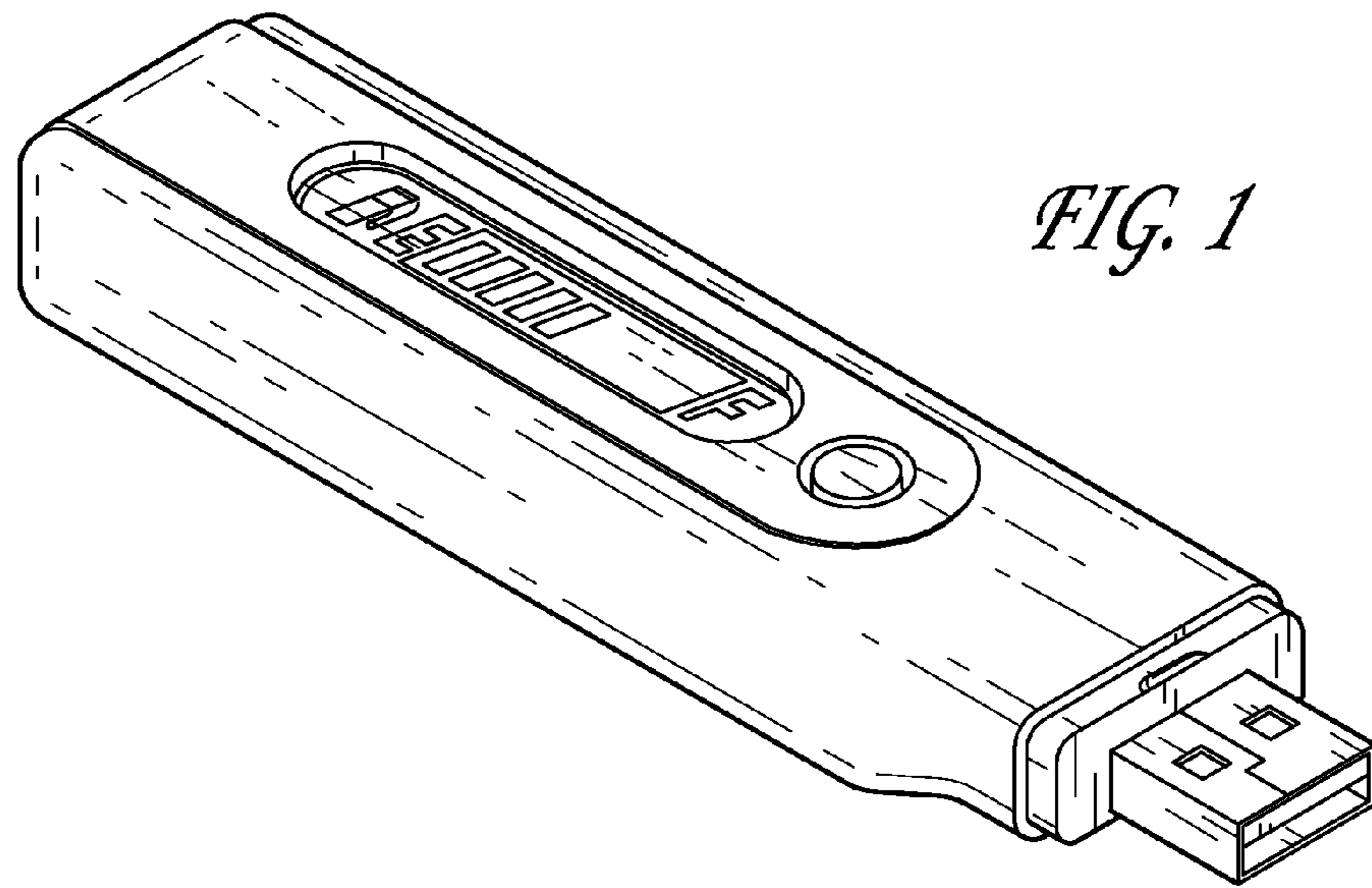


FIG. 1

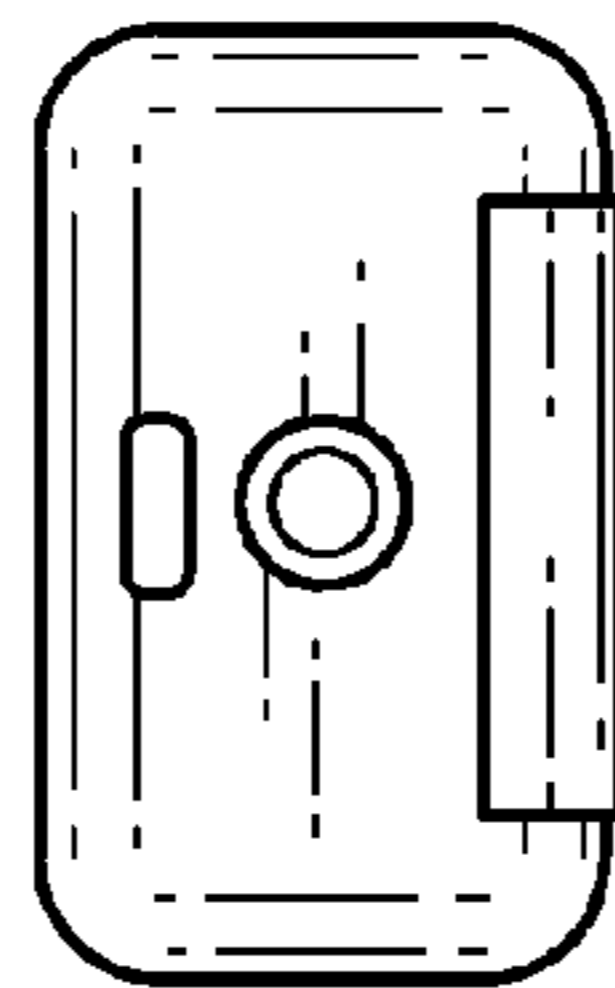


FIG. 2

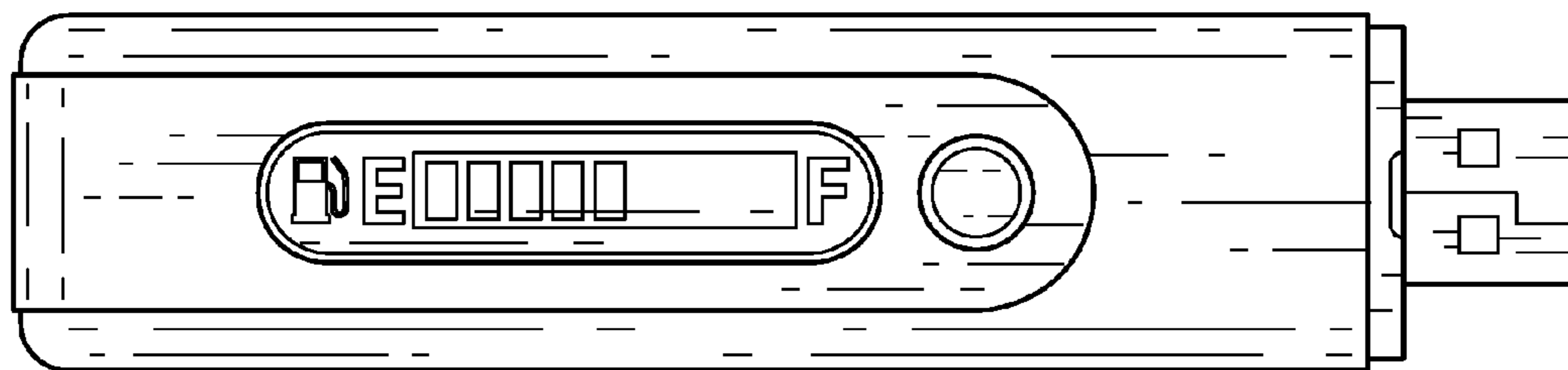


FIG. 3

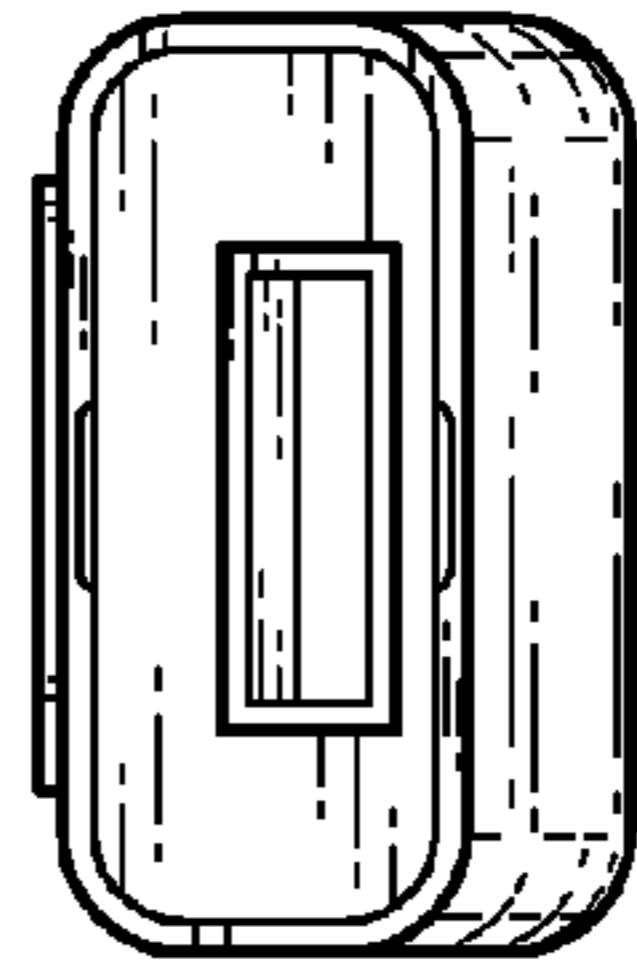


FIG. 4

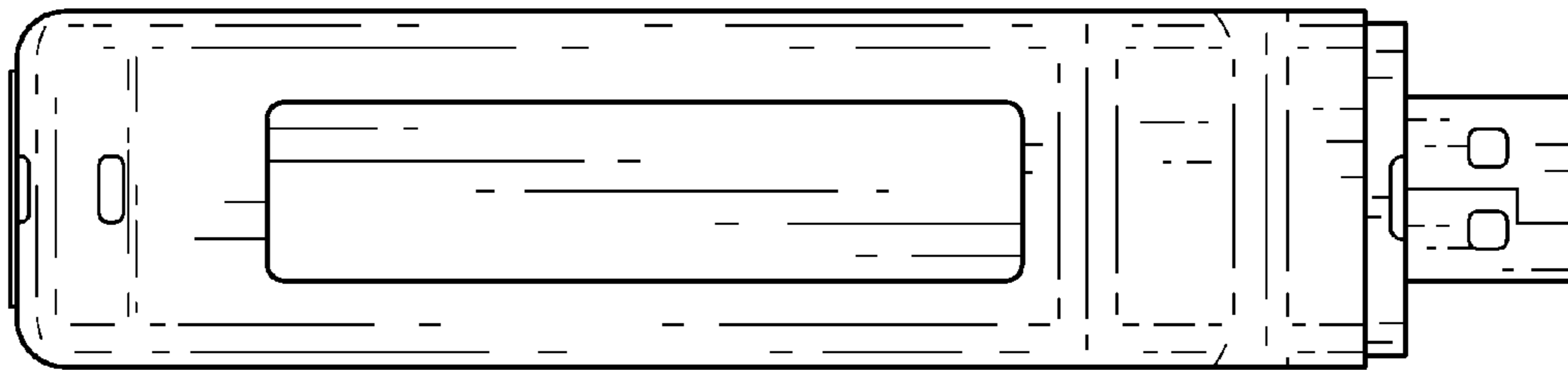


FIG. 5

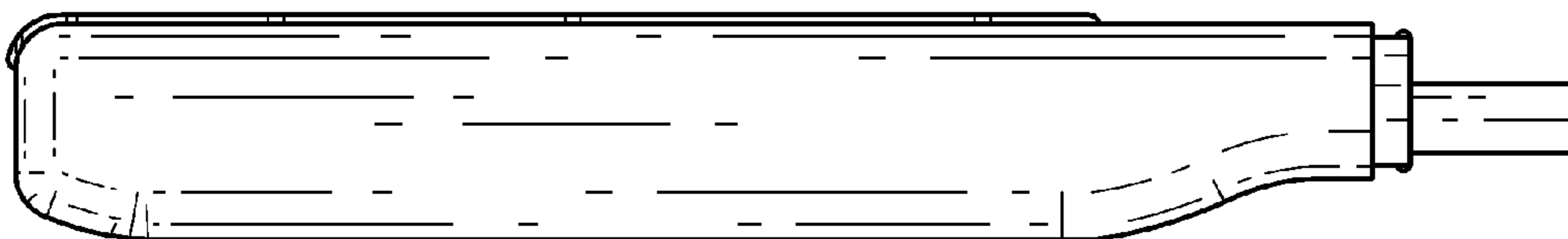


FIG. 6