

US00D624011S

(12) **United States Design Patent**
Bertagnole et al.

(10) **Patent No.:** **US D624,011 S**

(45) **Date of Patent:** **** Sep. 21, 2010**

(54) **BATTERY PACK FOR AN EXTERNAL DEFIBRILLATOR**

(75) Inventors: **Shawn R Bertagnole**, Lake Stevens, WA (US); **Jacob G Nygaard**, Kirkland, WA (US)

(73) Assignee: **Physio-Control, Inc.**, Redmond, WA (US)

(**) Term: **14 Years**

(21) Appl. No.: **29/235,268**

(22) Filed: **Jul. 30, 2005**

(51) **LOC (9) Cl.** **13-02**

(52) **U.S. Cl.** **D13/103**

(58) **Field of Classification Search** D13/102-106, D13/110, 118-119, 184; 429/96-100, 163, 429/176

See application file for complete search history.

(56) **References Cited**

U.S. PATENT DOCUMENTS

D267,795 S *	2/1983	Mallon	D13/119
D285,439 S *	9/1986	Nagele	D14/217
D328,733 S *	8/1992	Seymour	D13/103
D331,566 S *	12/1992	Seymour	D13/103
D349,681 S *	8/1994	Siddoway et al.	D13/103
D392,248 S *	3/1998	Johansson	D13/103

D398,580 S *	9/1998	Richards	D13/119
D435,827 S *	1/2001	Rausch et al.	D13/103
D460,411 S *	7/2002	Wang	D13/103
D490,772 S *	6/2004	Chu	D13/103
D495,992 S *	9/2004	Lim	13/103
D524,242 S *	7/2006	Adams et al.	D13/103
D546,277 S *	7/2007	Andre et al.	D13/103
D556,679 S *	12/2007	Weinstein et al.	D13/103
D600,640 S *	9/2009	Stein et al.	D13/103
D601,955 S *	10/2009	Ekmekdje	D13/108
D603,790 S *	11/2009	Andren et al.	D13/103

* cited by examiner

Primary Examiner—Rosemary K Tarcza

(74) *Attorney, Agent, or Firm*—Shumaker & Sieffert, P.A.

(57) **CLAIM**

What is claimed is an ornamental design for a battery pack for an external defibrillator, as shown and described herein.

DESCRIPTION

FIG. 1 is a bottom view of the battery pack;

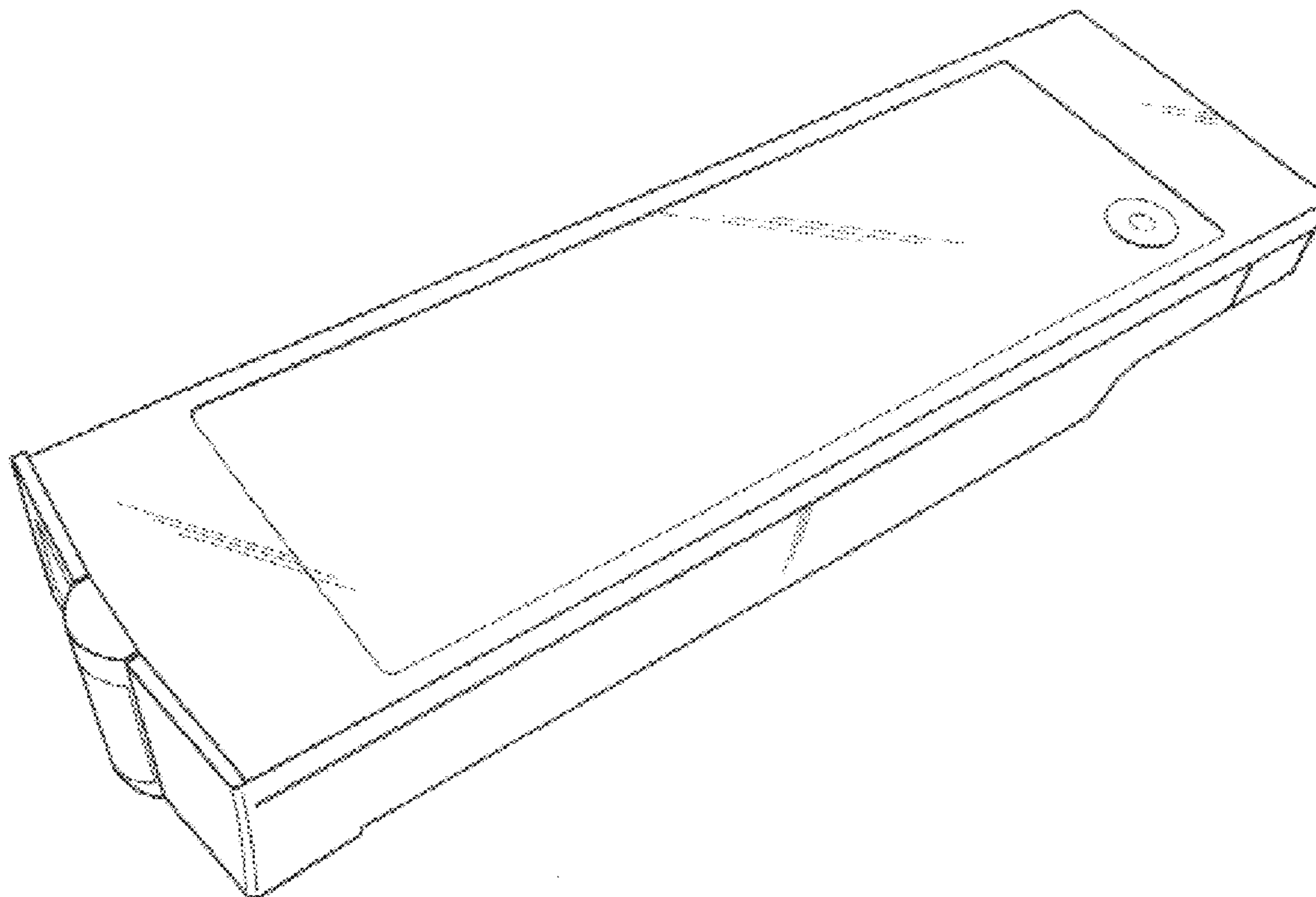
FIG. 2 is a perspective view showing one end of the battery pack of FIG. 1;

FIG. 3 is a perspective view of the battery pack of FIG. 1;

FIG. 4 is a perspective view showing the other end of the battery pack of FIG. 1; and,

FIG. 5 is a side view of the battery pack of FIG. 1.

1 Claim, 5 Drawing Sheets



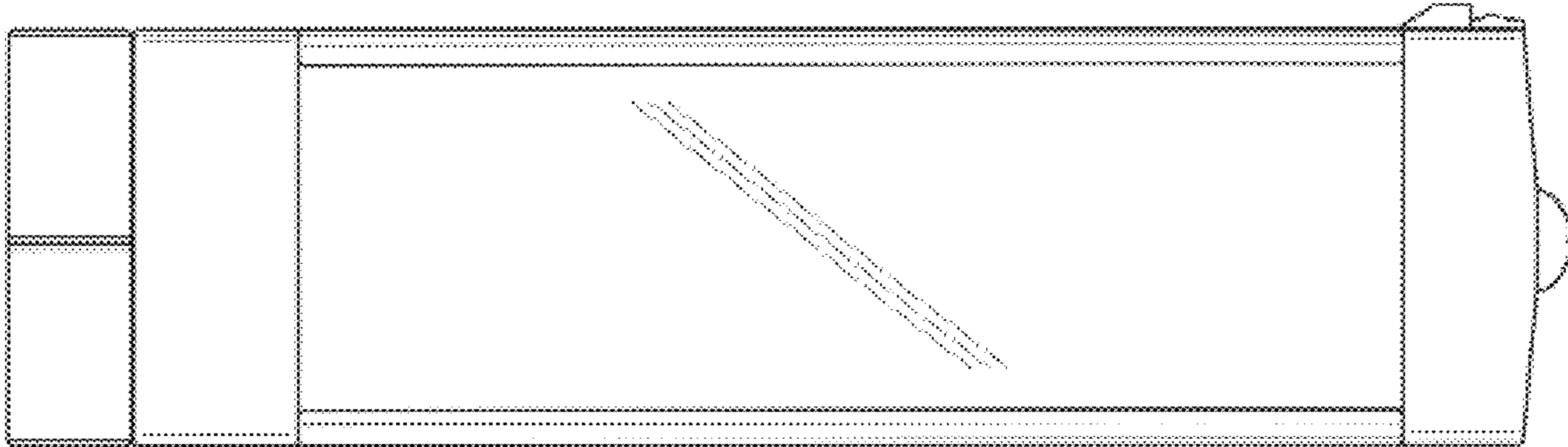


Fig. 1

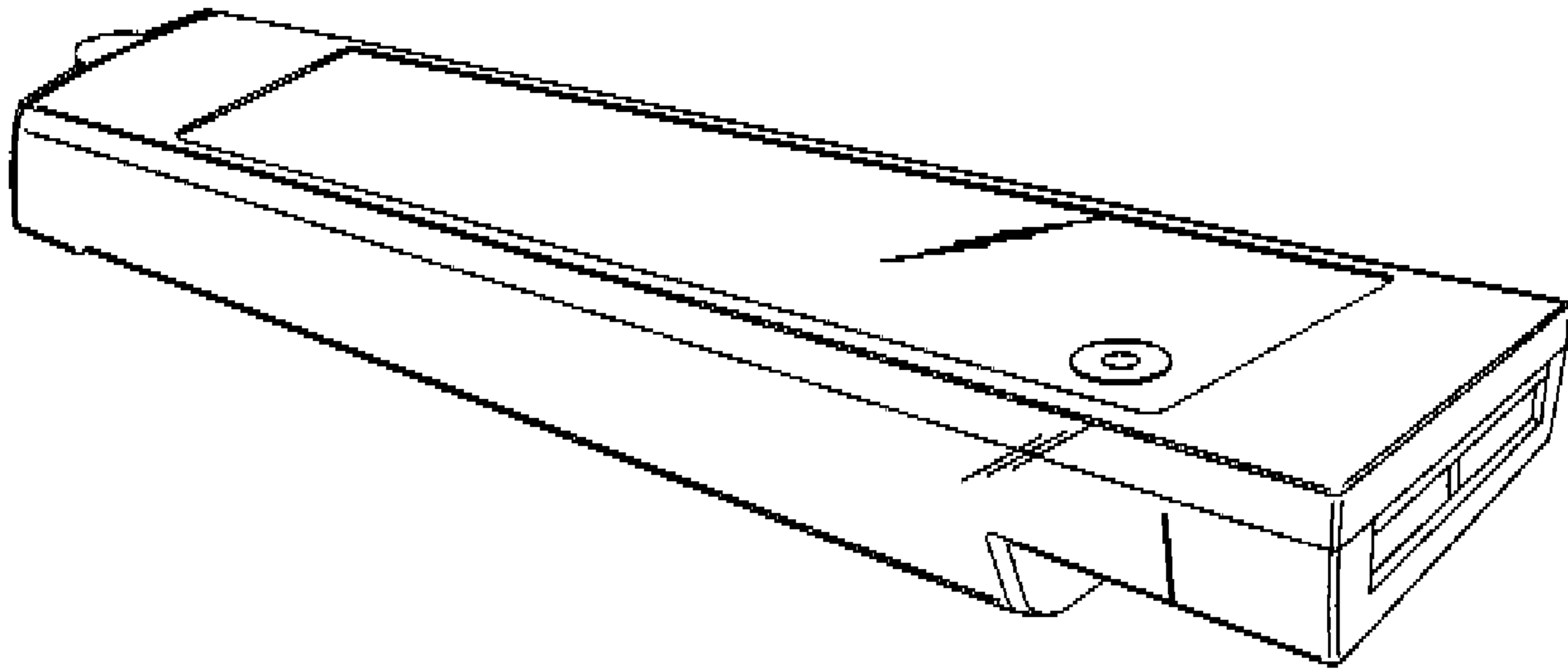


Fig. 2

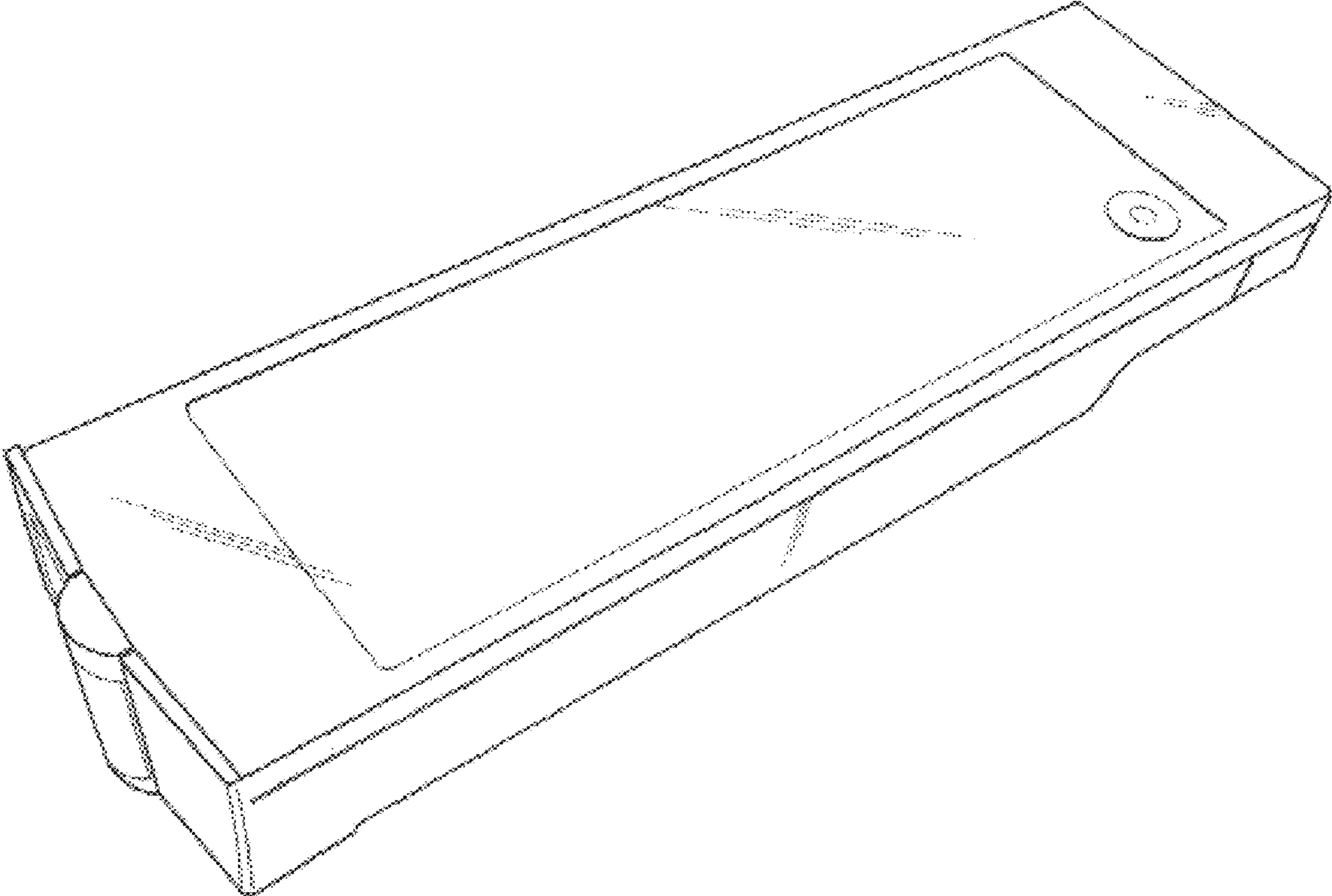


Fig. 3

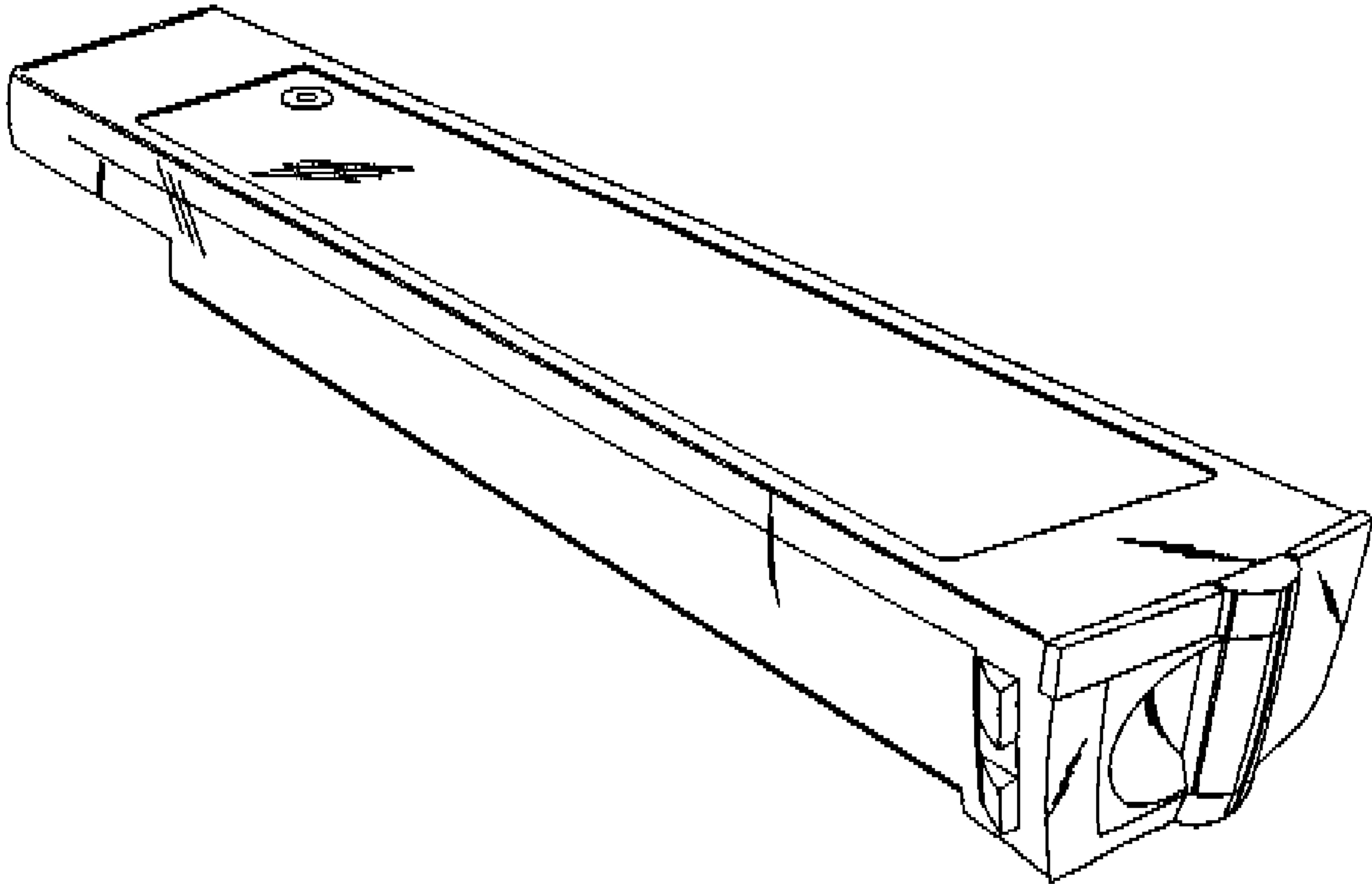


Fig. 4

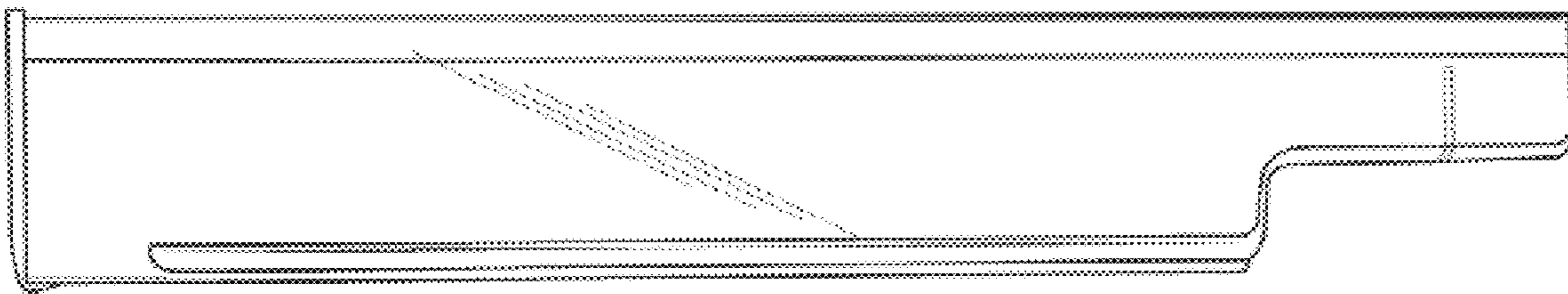


Fig. 5