



US00D624010S

(12) **United States Design Patent**  
**Tournier**

(10) **Patent No.:** **US D624,010 S**

(45) **Date of Patent:** **\*\* Sep. 21, 2010**

(54) **TIRE VALVE**

6,588,446 B2 \* 7/2003 Reinhardt ..... 137/223  
D496,627 S 9/2004 Nikolayev et al. .... D12/606

(75) Inventor: **Damien Tournier**, Bulle (FR)

\* cited by examiner

(73) Assignee: **Schrader-Bridgeport International, Inc.**, Alta Vista, VA (US)

*Primary Examiner*—Stacia Cadmus

(74) *Attorney, Agent, or Firm*—J. A. Thurnau, Esq.; J. L. Mahurin, Esq.; P. N. Dunlap, Esq.

(\*\*) Term: **14 Years**

(21) Appl. No.: **29/349,478**

(57) **CLAIM**

(22) Filed: **Apr. 7, 2010**

The ornamental design for a tire valve, as shown and described.

(51) **LOC (9) Cl.** ..... **12-15**

(52) **U.S. Cl.** ..... **D12/606**

(58) **Field of Classification Search** ..... D12/606–607;  
137/223, 226, 230, 234; 152/427, 429, 415;  
D23/233, 235; 251/366, 903; 206/302; 73/48  
See application file for complete search history.

**DESCRIPTION**

FIG. 1 is a side elevation view.

FIG. 2 is a side elevation view.

FIG. 3 is a side elevation view.

FIG. 4 is a side elevation view.

FIG. 5 is a cross-section view at 5—5 of FIG. 6.

FIG. 6 is a top plan view.

FIG. 7 is a bottom plan view; and,

FIG. 8 is a perspective view.

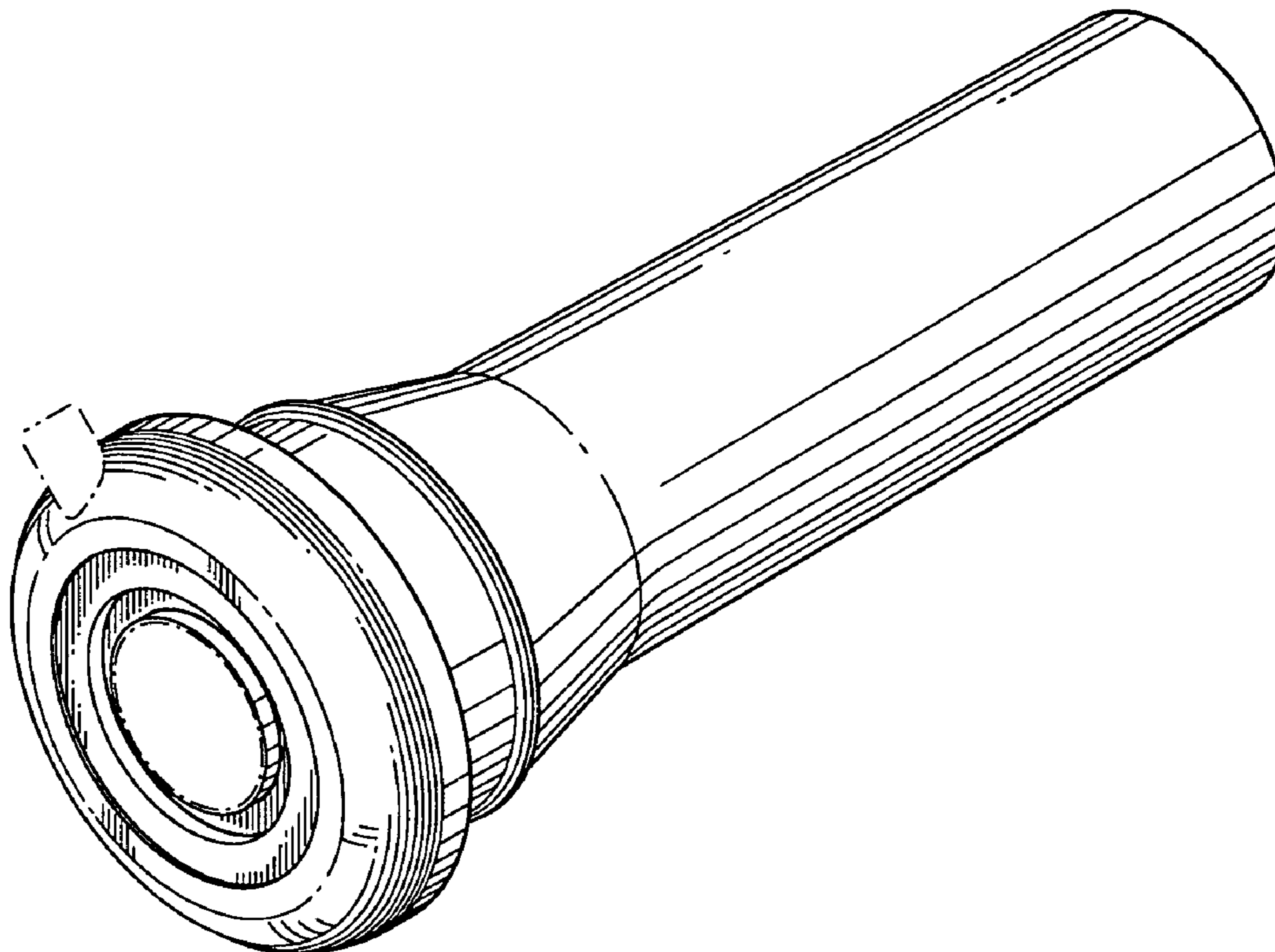
The broken line showing of environmental structure is for illustrative purposes only and forms no part of the claimed design.

(56) **References Cited**

**U.S. PATENT DOCUMENTS**

D30,782 S *	5/1899	Jenkins	.....	D12/606
3,489,197 A *	1/1970	Kenney	.....	152/427
D268,924 S	5/1983	Winther	.....	D12/153
4,506,695 A *	3/1985	Kuypers	.....	137/223
D304,817 S	11/1989	Earley et al.	.....	D12/153
D305,222 S	12/1989	Geib	.....	D12/153
D405,743 S	2/1999	Hussaini	.....	D12/153

**1 Claim, 3 Drawing Sheets**



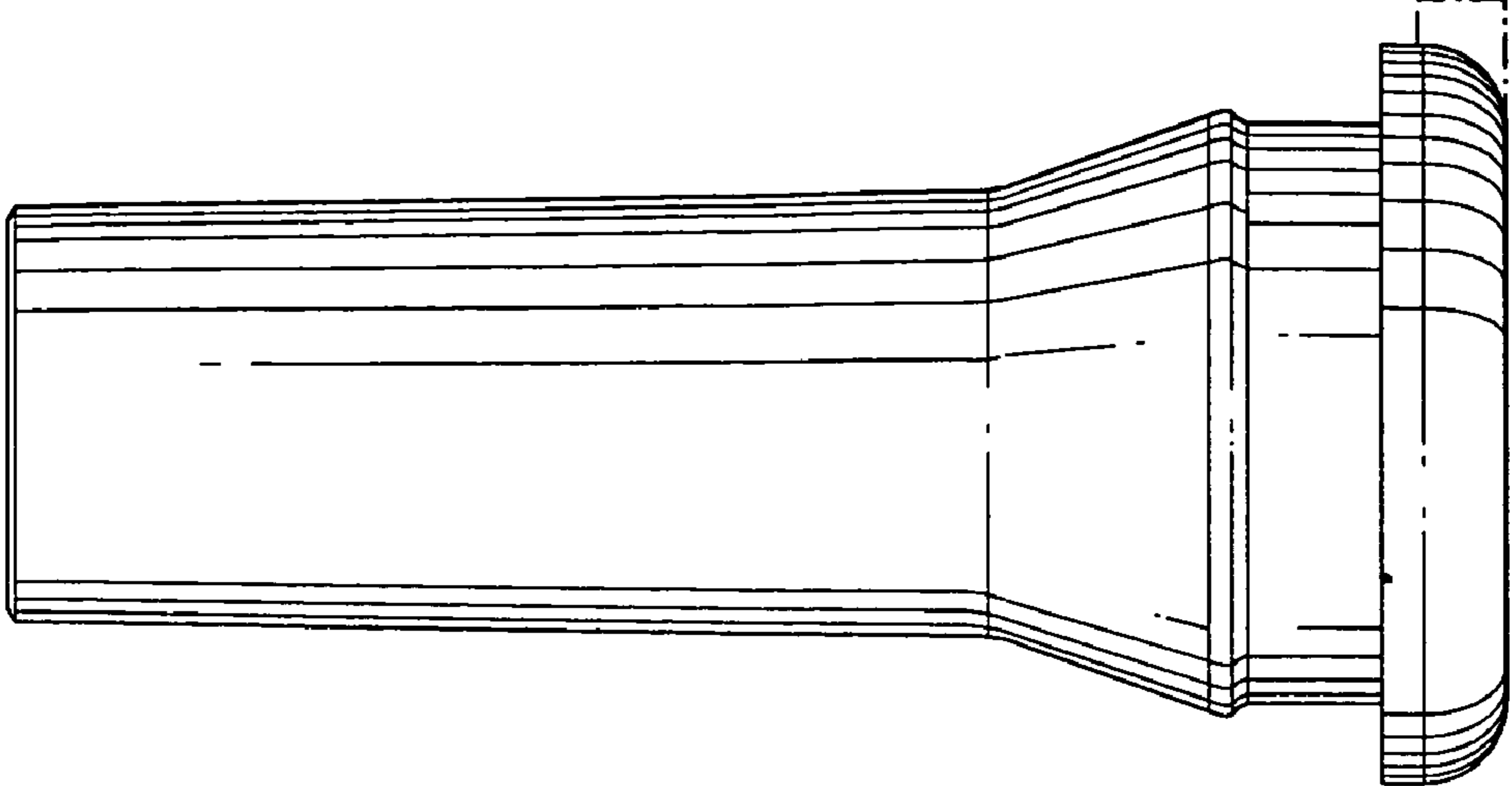


FIG.3

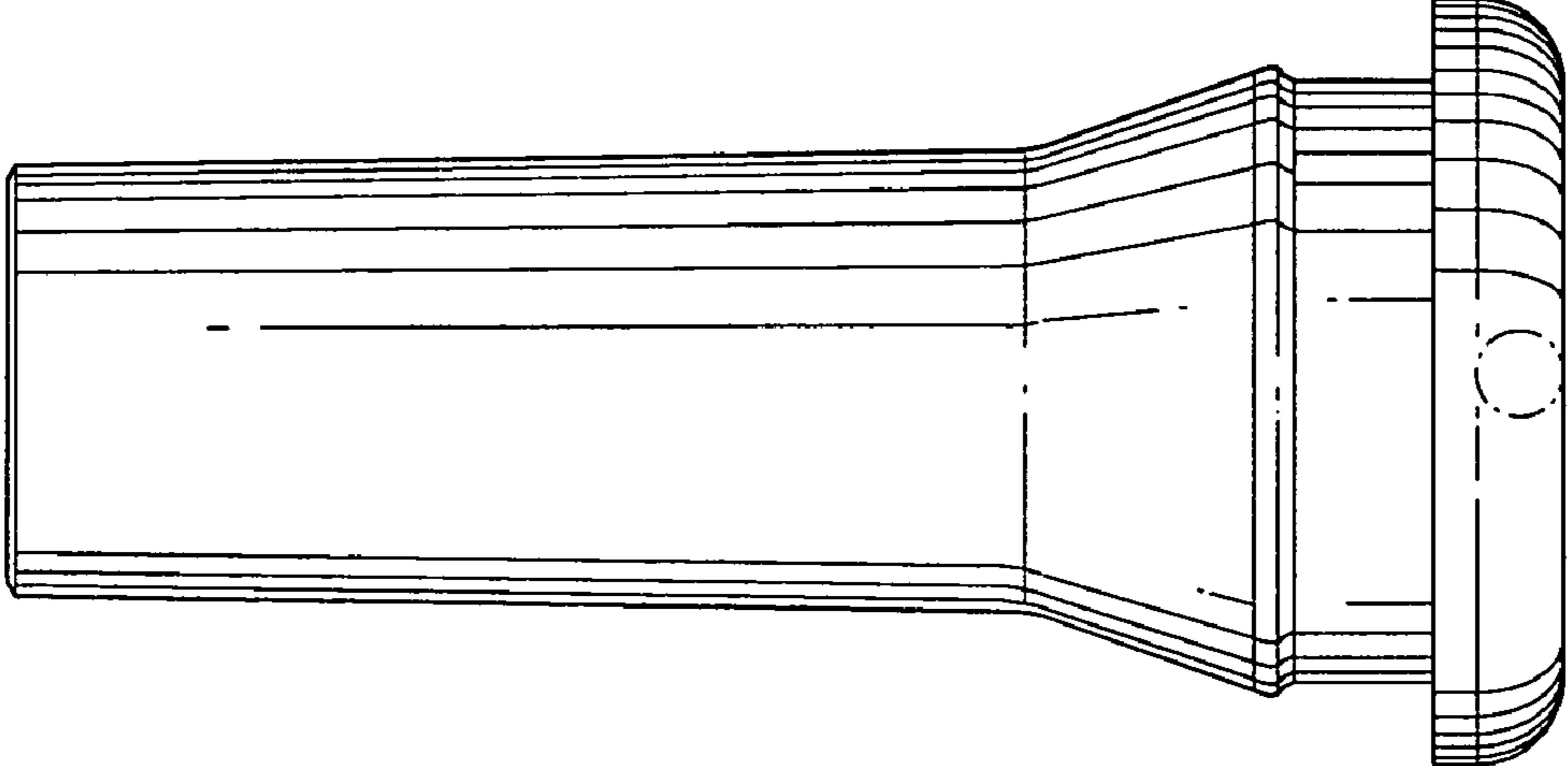


FIG.2

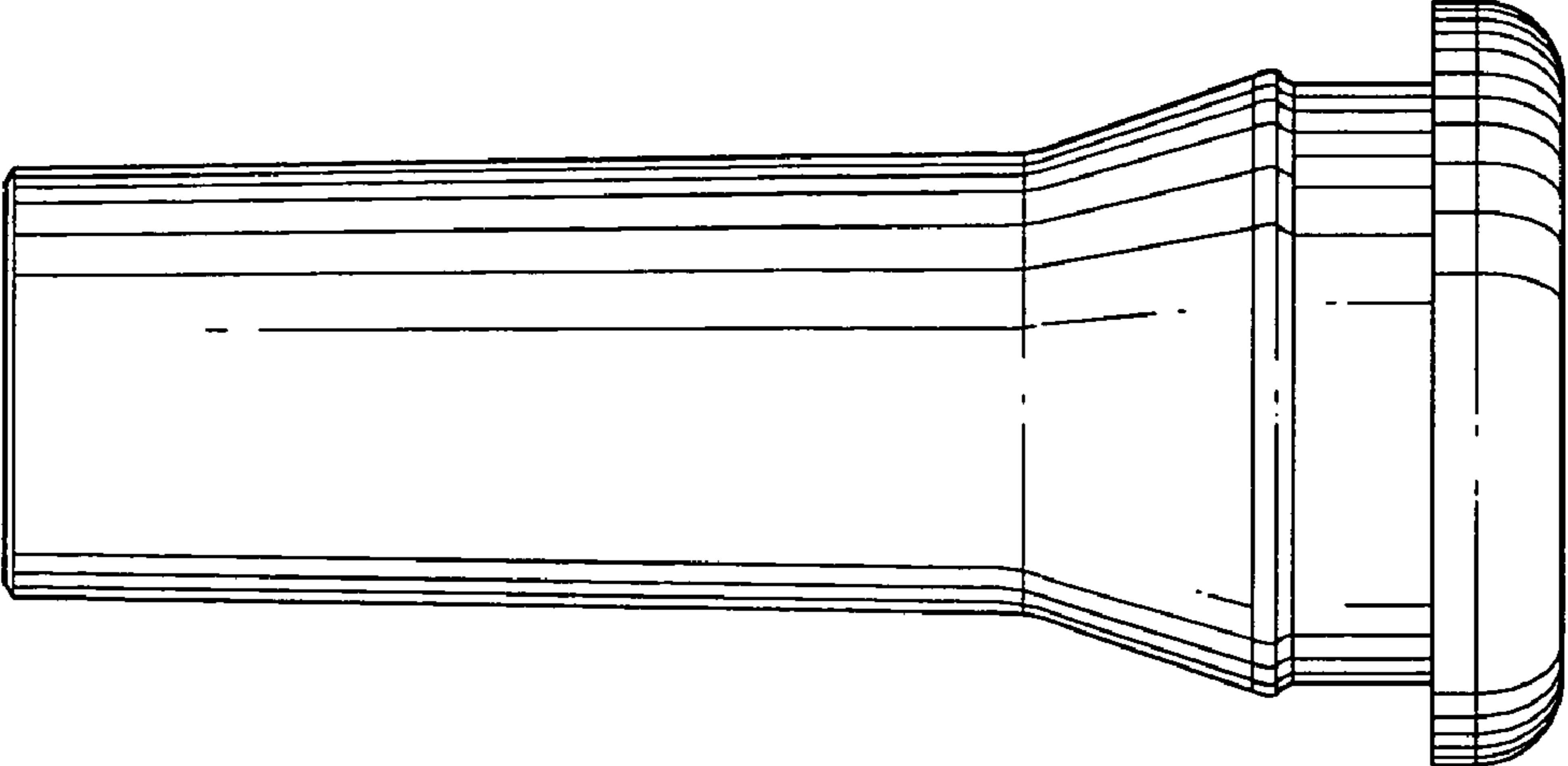


FIG.1

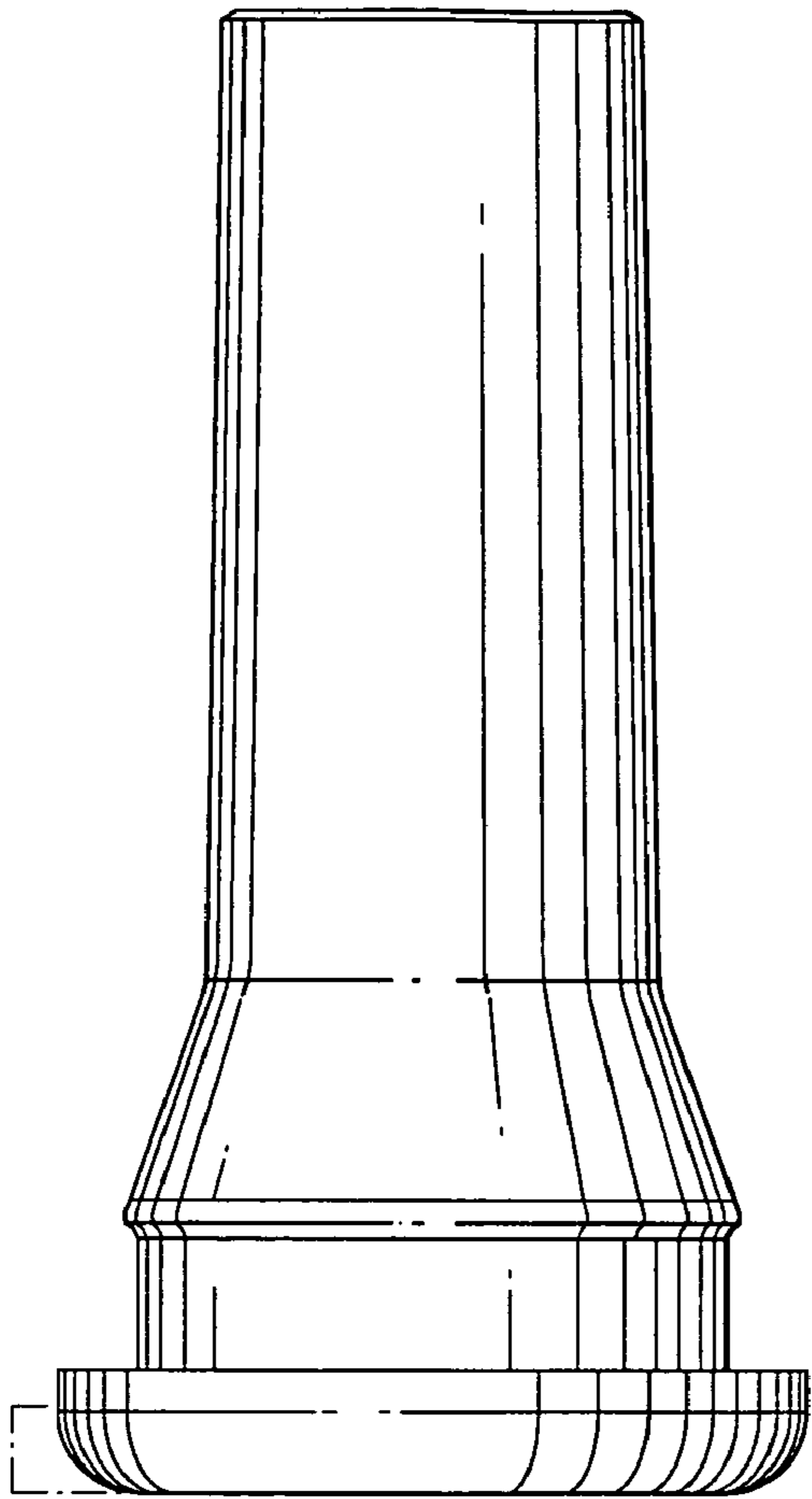


FIG. 4

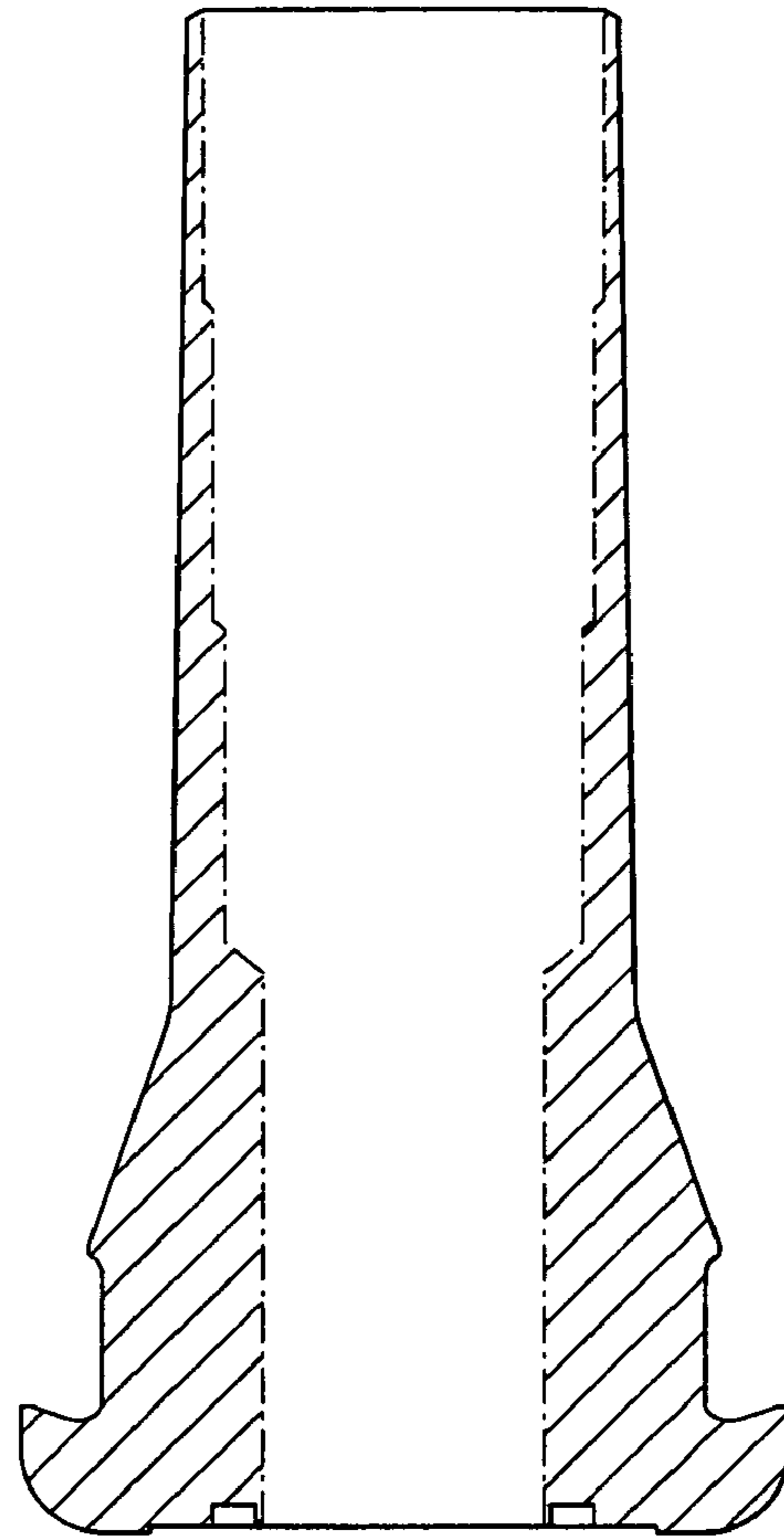


FIG. 5

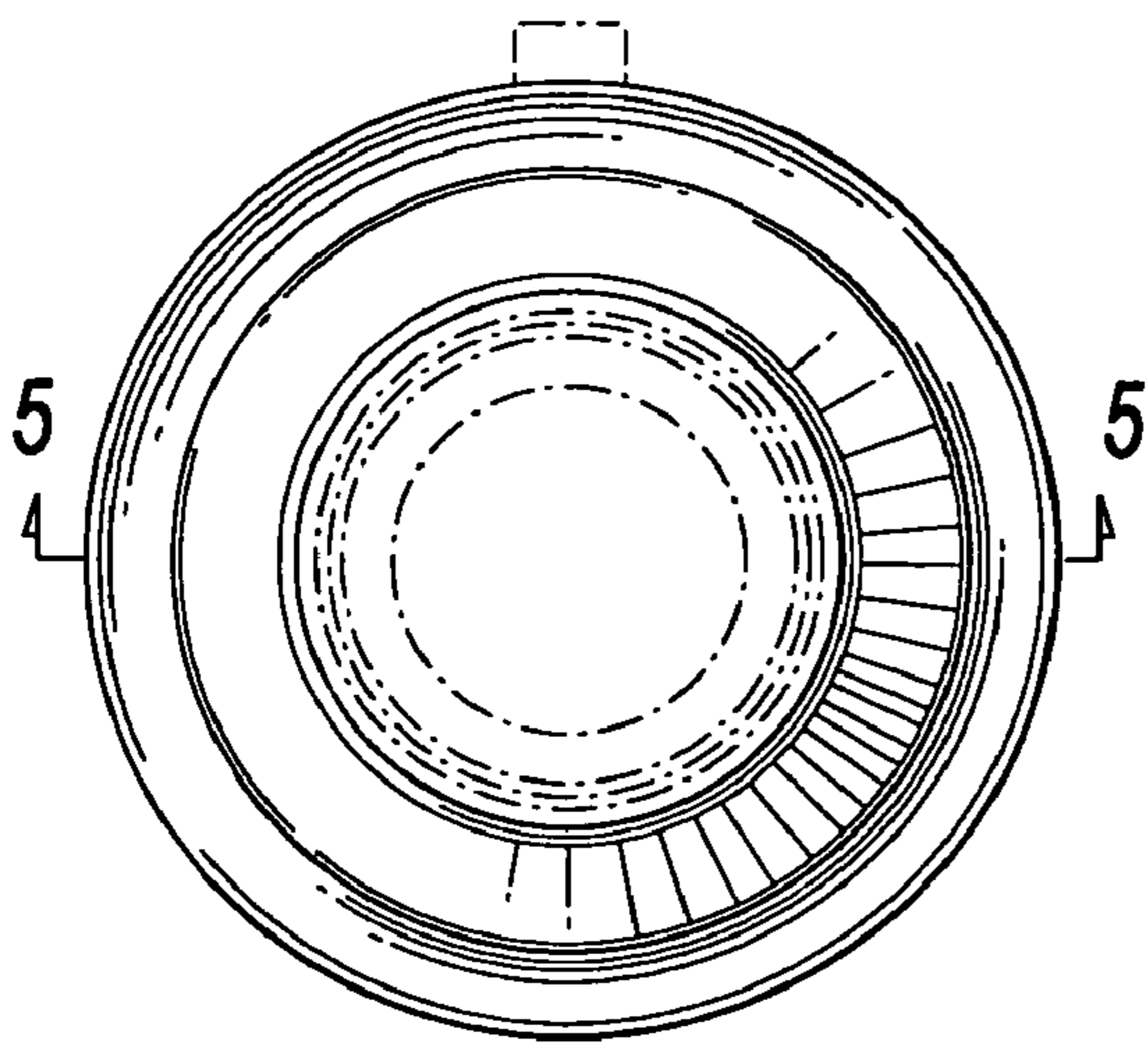


FIG. 6

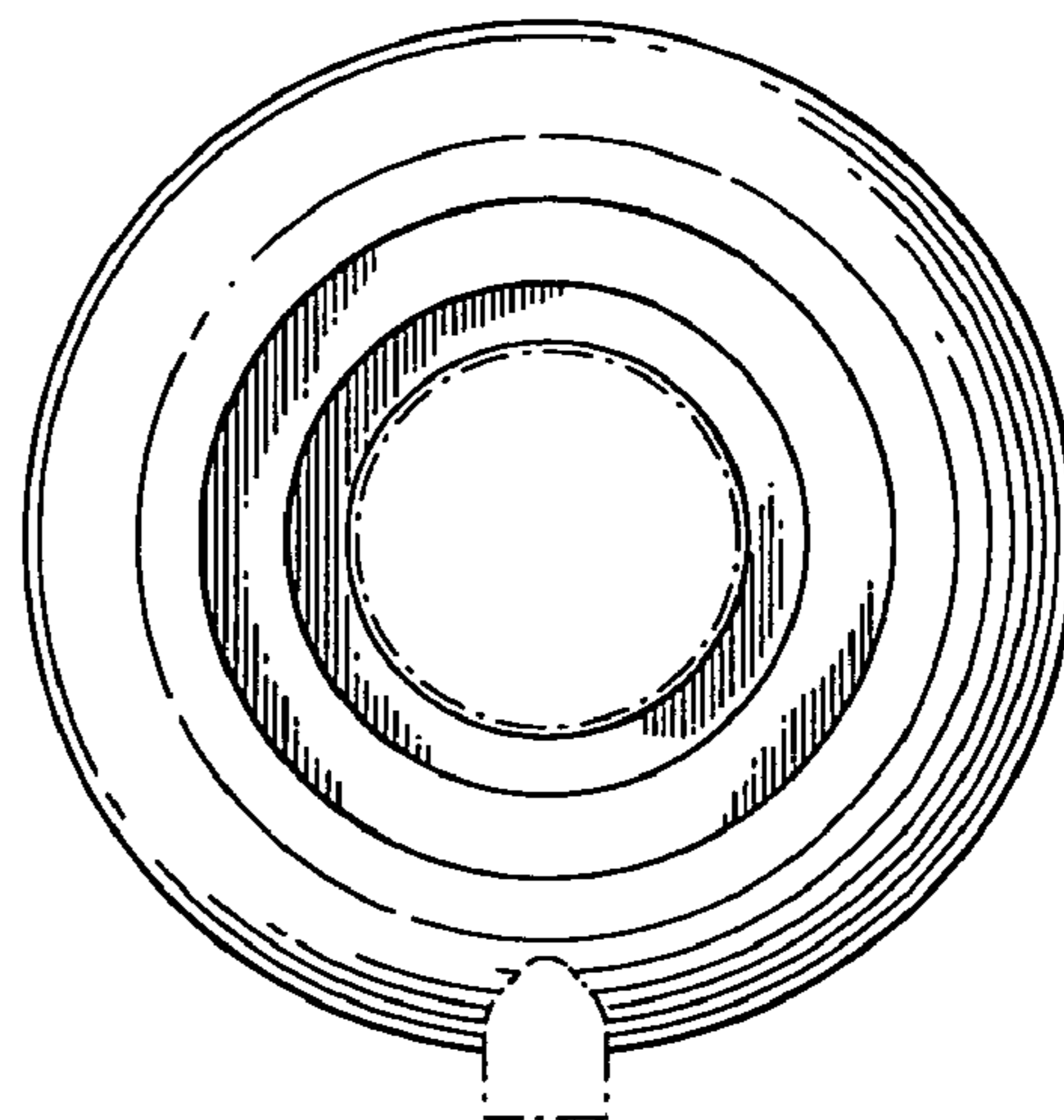


FIG. 7

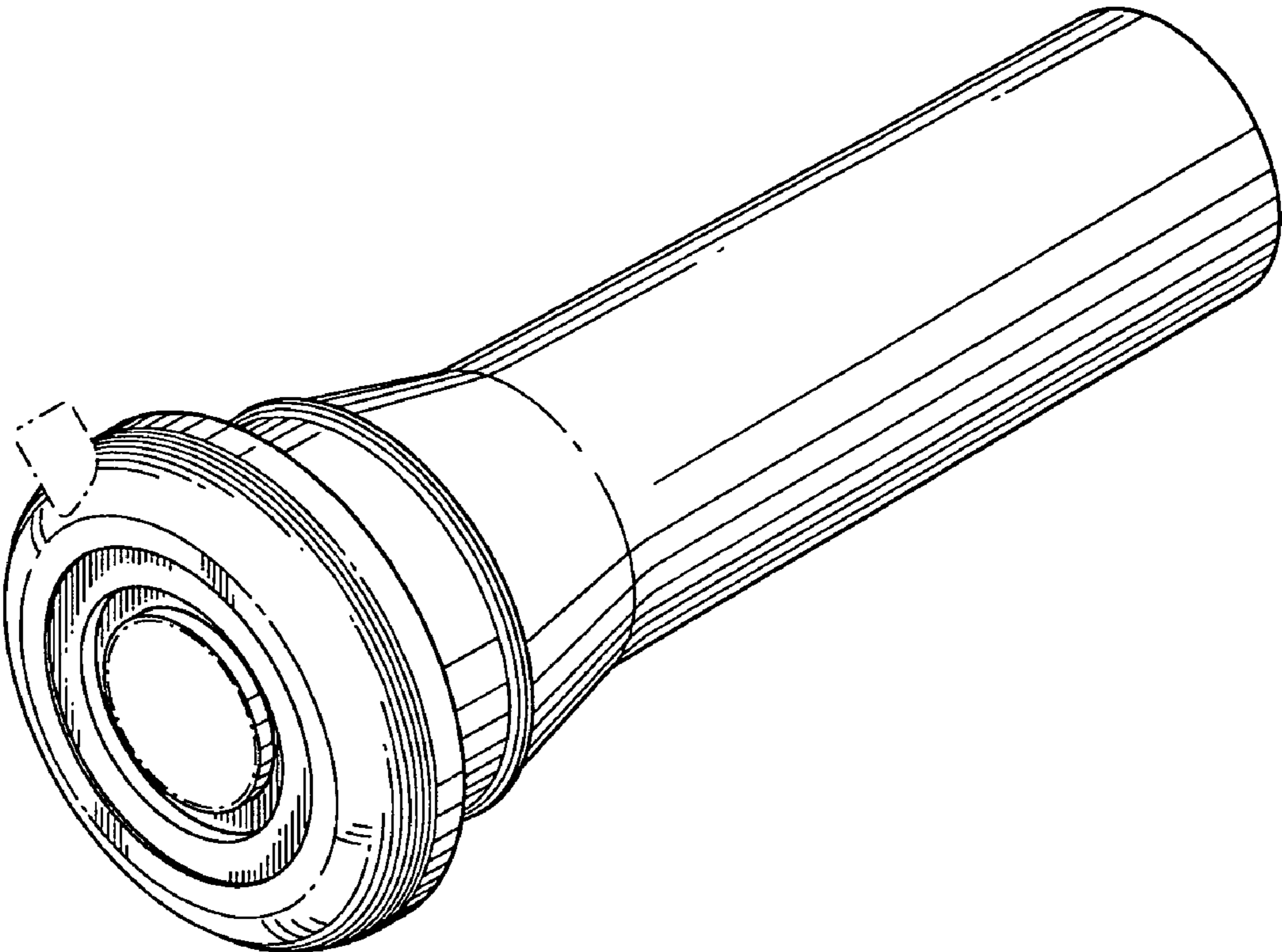


FIG.8