



US00D624009S

(12) **United States Design Patent**
Vandaele et al.

(10) **Patent No.:** **US D624,009 S**
(45) **Date of Patent:** **** Sep. 21, 2010**

(54) **PNEUMATIC TIRE**

(75) Inventors: **Mathieu Vandaele**, Charbonniere les Varennes (FR); **Sylvie Lhospitalier**, Les Oeuvres (FR); **Gilles Sallaz**, Ceyrat (FR)

(73) Assignees: **Societe de Technologie Michelin**, Clermont-Ferrand (FR); **Michelin-Recherche et Technique S.A.**, Granges-Paccot (CH)

(**) Term: **14 Years**

(21) Appl. No.: **29/356,008**

(22) Filed: **Feb. 18, 2010**

(30) **Foreign Application Priority Data**

Aug. 18, 2009 (FR) 09 3943

(51) **LOC (9) Cl.** **12-15**

(52) **U.S. Cl.** **D12/585; D12/586**

(58) **Field of Classification Search** D12/568,
D12/579-603, 550-556, 900-901; 152/209.1,
152/209.8-209.19, 209.25-209.28

See application file for complete search history.

(56) **References Cited**

U.S. PATENT DOCUMENTS

D368,687 S * 4/1996 Hayashi D12/590
D474,734 S * 5/2003 Terver et al. D12/590

D477,565 S * 7/2003 Terver et al. D12/590
D502,443 S * 3/2005 Kuramochi et al. D12/555
D606,930 S * 12/2009 Taylor et al. D12/585
D615,480 S * 5/2010 Jacobs D12/586

* cited by examiner

Primary Examiner—Stacia Cadmus

(74) *Attorney, Agent, or Firm*—Buchanan Ingersoll & Rooney PC

(57) **CLAIM**

The ornamental design for a pneumatic tire, as shown and described.

DESCRIPTION

FIG. 1 is a perspective view of a pneumatic tire incorporating our new design, it being understood that the tread pattern repeats circumferentially throughout the outer circumference.

FIG. 2 is a detail view of a front end of the pneumatic tire.

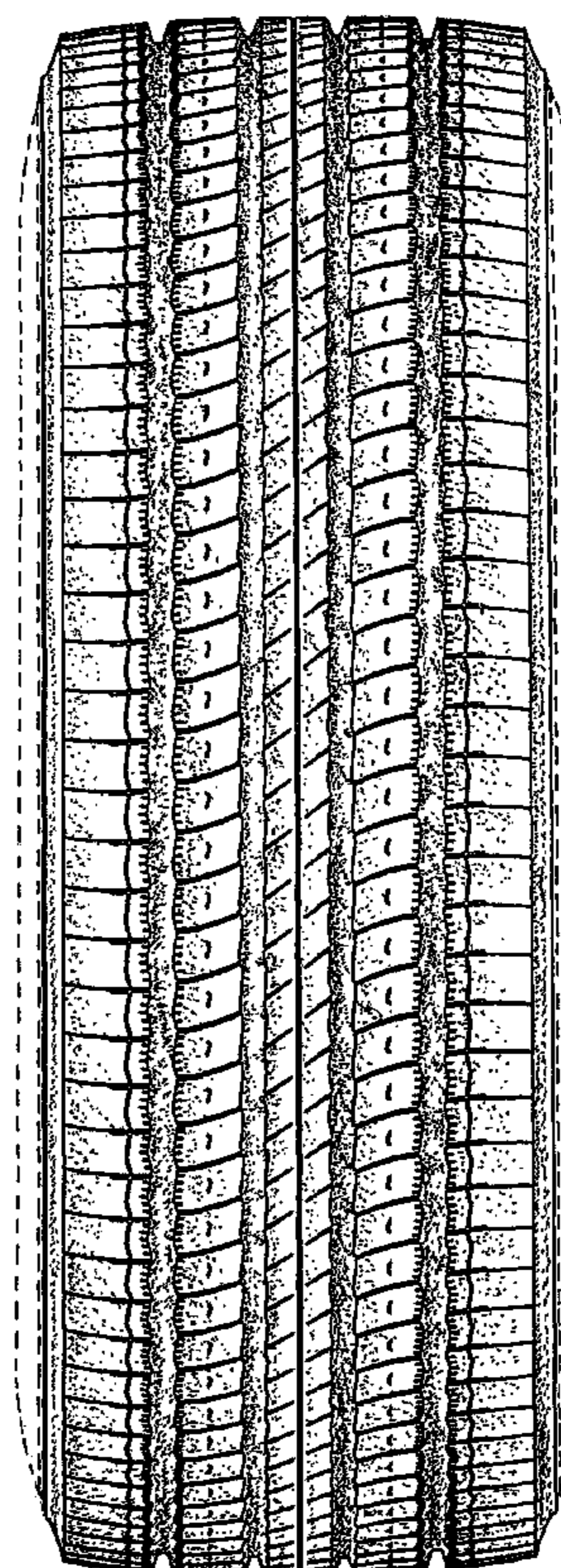
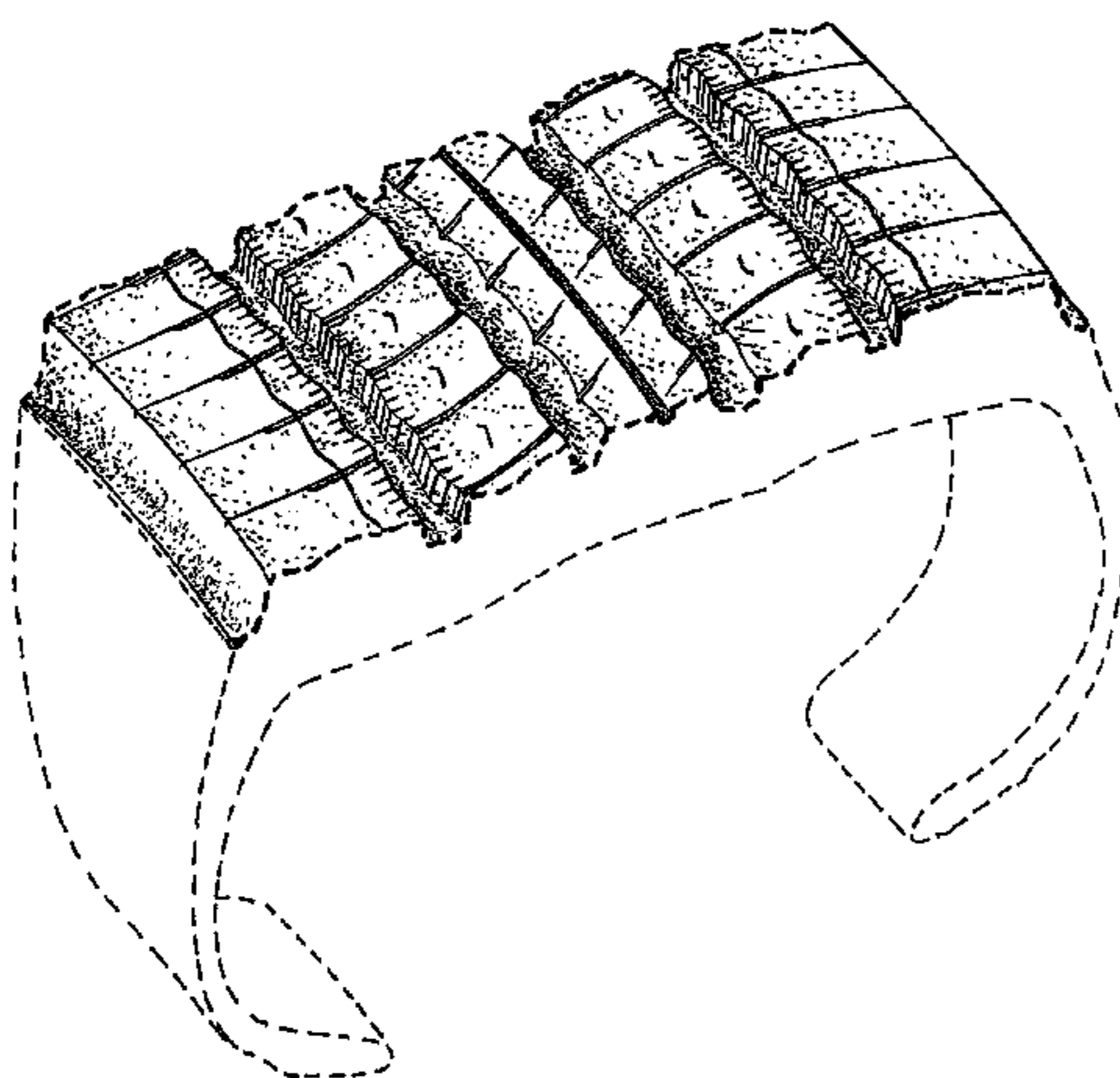
FIG. 3 is a partial view of FIG. 1.

FIG. 4 is an elevational view of the front end of the pneumatic tire; and,

FIG. 5 is an elevational view of one side of the pneumatic tire, the other side being of identical shape.

The broken lines in the drawings depict environmental subject matter only and form no part of the claimed design.

1 Claim, 4 Drawing Sheets



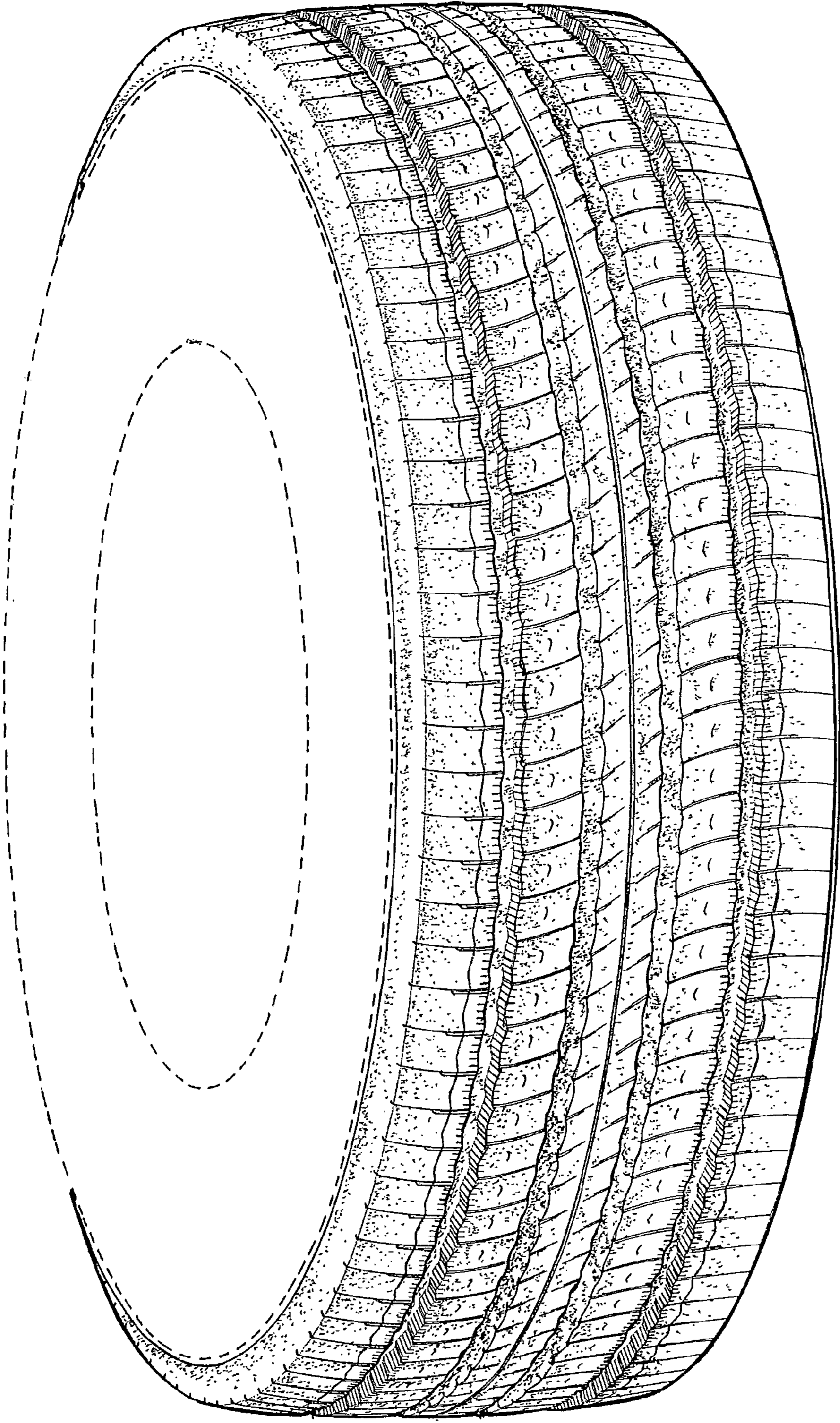


FIG. 1

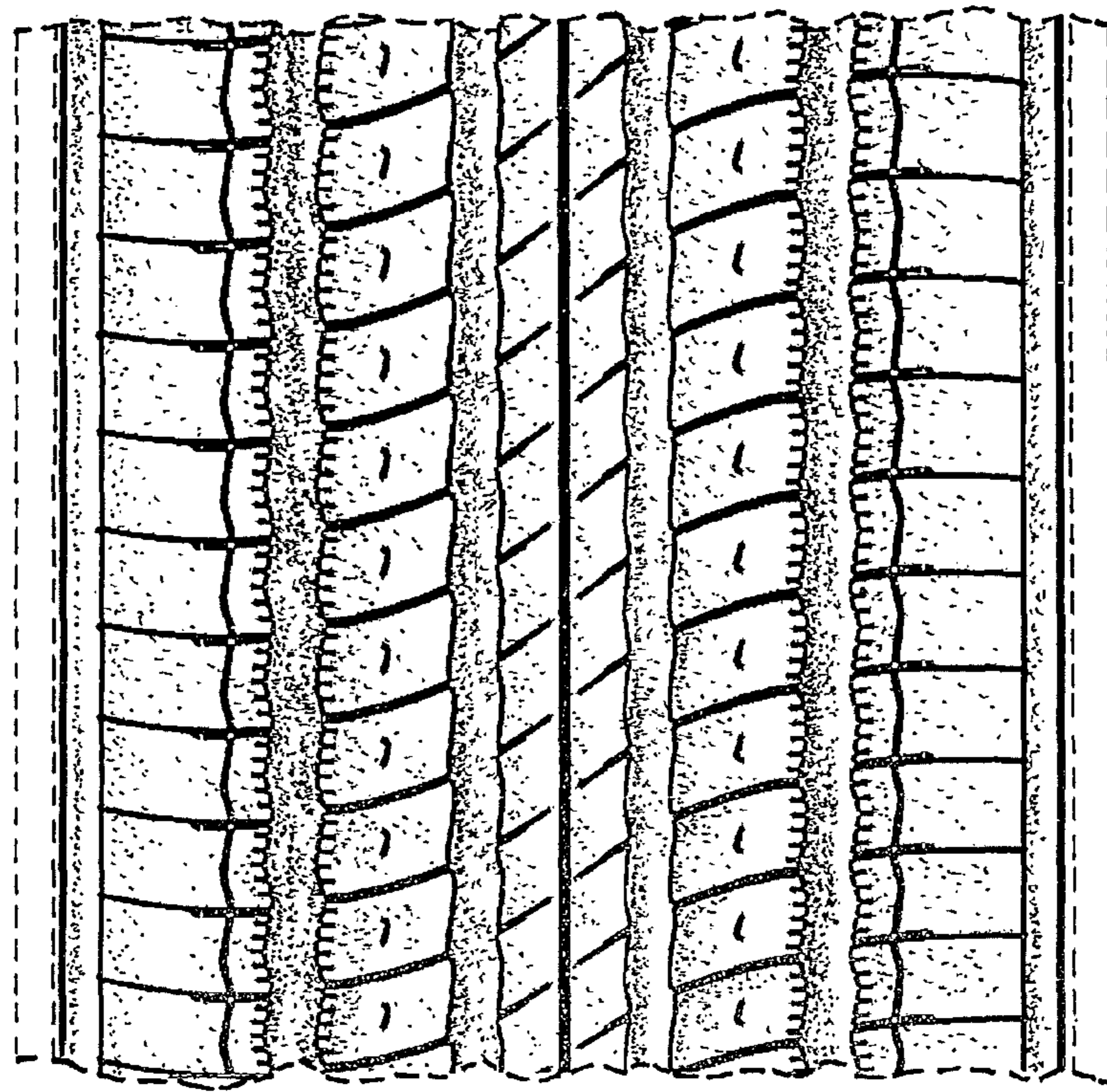


FIG. 2

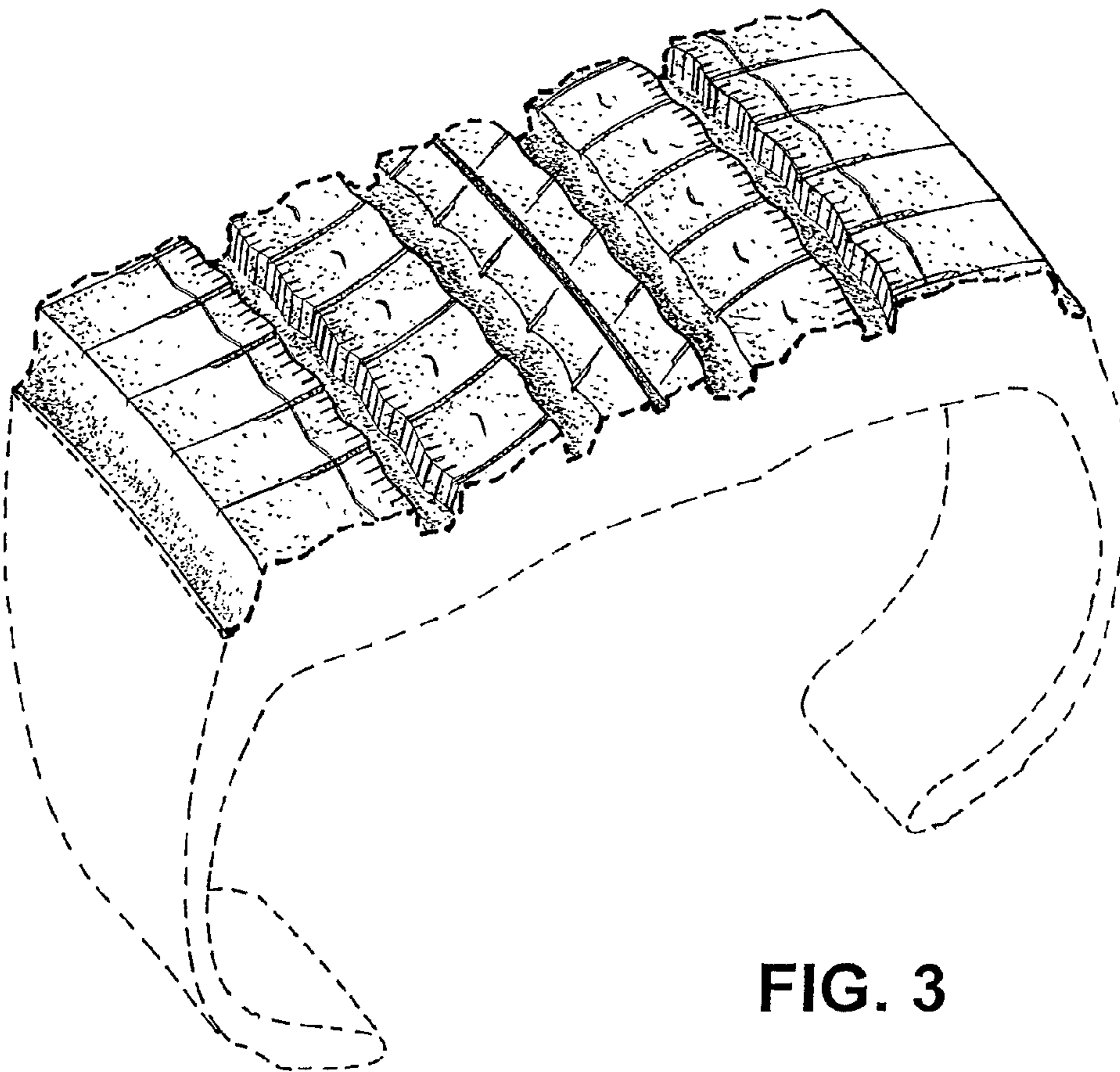


FIG. 3

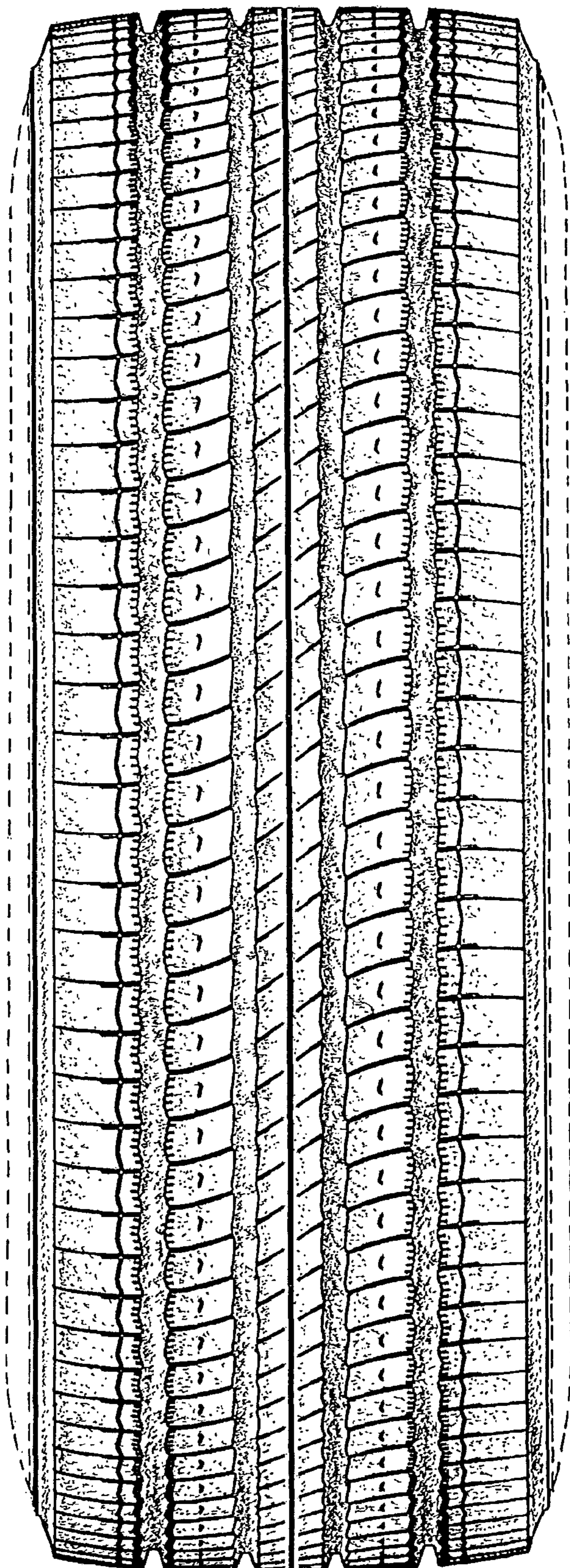


FIG. 4

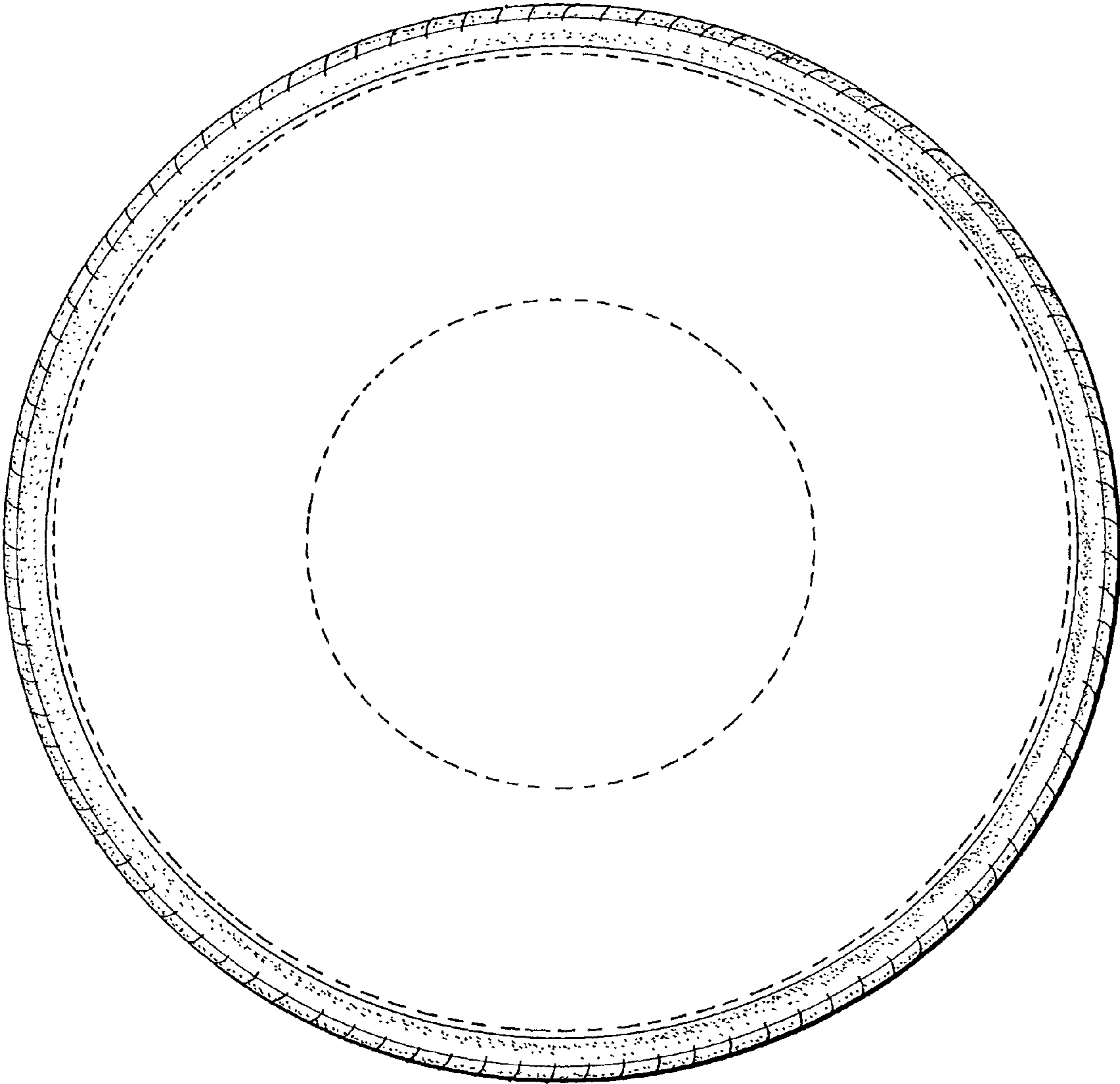


FIG. 5