



US00D624008S

(12) **United States Design Patent**  
**Shan et al.**

(10) **Patent No.:** **US D624,008 S**

(45) **Date of Patent:** **\*\* Sep. 21, 2010**

(54) **TIRE**

(75) Inventors: **Guoling Shan**, Weihai Shandong (CN);  
**Bo Wang**, Weihai Shandong (CN); **Qian Zheng**, Weihai Shandong (CN)

(73) Assignee: **Triangle Tyre Co., Ltd.**, Shandong (CN)

(\*\*) Term: **14 Years**

(21) Appl. No.: **29/282,998**

(22) Filed: **Aug. 3, 2007**

(30) **Foreign Application Priority Data**

Feb. 5, 2007	(CN)	.....	2007 3 0014341
Feb. 5, 2007	(CN)	.....	2007 3 0014342
Feb. 5, 2007	(CN)	.....	2007 3 0014343
Feb. 5, 2007	(CN)	.....	2007 3 0014344
Feb. 5, 2007	(CN)	.....	2007 3 0014345
Feb. 5, 2007	(CN)	.....	2007 3 0014346
Feb. 5, 2007	(CN)	.....	2007 3 0014347
Feb. 5, 2007	(CN)	.....	2007 3 0014348

D287,837	S *	1/1987	Shintomi	.....	D12/578
D336,269	S *	6/1993	Hinrichsen et al.	.....	D12/600
D367,448	S *	2/1996	Baus et al.	.....	D12/579
D371,097	S *	6/1996	Fukushima	.....	D12/600
D384,622	S *	10/1997	Scheuren et al.	.....	D12/600
D390,818	S *	2/1998	De Barsy et al.	.....	D12/566
D391,202	S *	2/1998	Baus	.....	D12/548
D393,236	S *	4/1998	Rowe	.....	D12/602
D397,066	S *	8/1998	Grosskopf et al.	.....	D12/566
D397,649	S *	9/1998	Grosskopf et al.	.....	D12/602
D399,798	S *	10/1998	Grosskopf et al.	.....	D12/566
D412,302	S *	7/1999	Rayman et al.	.....	D12/579
D420,630	S *	2/2000	De Coninck et al.	.....	D12/600
D457,488	S *	5/2002	Rayman	.....	D12/579
D458,895	S *	6/2002	Rayman	.....	D12/579
D467,865	S *	12/2002	Comps et al.	.....	D12/594
D473,843	S *	4/2003	Le et al.	.....	D12/600

(Continued)

*Primary Examiner*—Garth Rademaker

(74) *Attorney, Agent, or Firm*—Greenberg Traurig, LLP

(51) **LOC (9) Cl.** ..... **12-15**

(52) **U.S. Cl.** ..... **D12/579; D12/602**

(58) **Field of Classification Search** ..... D12/500,  
D12/501, 502, 533, 539, 543, 544, 547, 548,  
D12/551, 552, 554, 557-559, 563, 564, 566,  
D12/568, 574, 578, 579, 582, 583, 586, 587,  
D12/589, 592-594, 599, 600, 602; D21/563,  
D21/779; 152/209.1, 209.12, 209.13, 209.14,  
152/209.15, 209.28

See application file for complete search history.

(56) **References Cited**

**U.S. PATENT DOCUMENTS**

D112,993	S *	1/1939	Hardeman	.....	D12/571
D157,953	S *	4/1950	Hawkinson	.....	D12/579
D168,714	S *	1/1953	Schlichtmann	.....	D12/593
D172,996	S *	9/1954	Smith	.....	D12/544
D251,722	S *	5/1979	Tamura et al.	.....	D12/593
D261,256	S *	10/1981	Yamazaki et al.	.....	D12/587
D284,649	S *	7/1986	Kwee et al.	.....	D12/587

(57) **CLAIM**

The ornamental design for a tire, as shown and described.

**DESCRIPTION**

FIG. 1 is a front view of a tire in accordance with our new design;

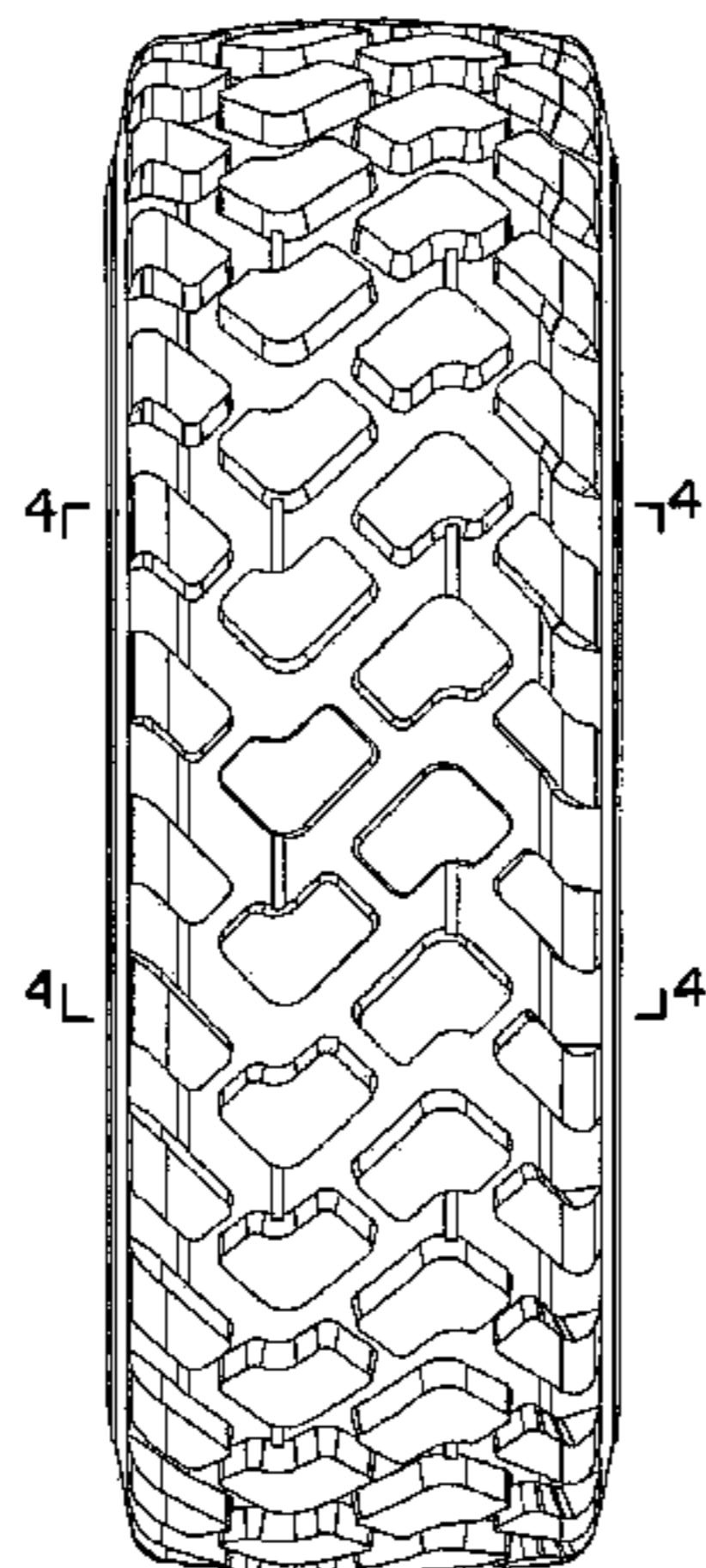
FIG. 2 is a perspective view thereof;

FIG. 3 is a side view thereof, the opposite side elevation view being identical thereto; and,

FIG. 4 is a partial front elevation view thereof, showing area 4 of FIG. 1 at an enlarged scale.

The broken lines depict environmental subject matter only and form no part of the claimed design.

**1 Claim, 4 Drawing Sheets**



# US D624,008 S

Page 2

---

## U.S. PATENT DOCUMENTS

D481,668 S	*	11/2003	Hanna	.....	D12/579	D529,434 S	*	10/2006	Regallis et al.	.....	D12/579
D481,990 S	*	11/2003	Hanna	.....	D12/579	D530,264 S	*	10/2006	Labbe et al.	.....	D12/579
D483,718 S	*	12/2003	Hutz et al.	.....	D12/579	D530,265 S	*	10/2006	Hutz et al.	.....	D12/579
D492,643 S	*	7/2004	Robert	.....	D12/579	D549,157 S	*	8/2007	Maus et al.	.....	D12/544
D493,415 S	*	7/2004	Noailly	.....	D12/579	D549,163 S	*	8/2007	Maus et al.	.....	D12/579
D498,729 S	*	11/2004	Neubauer et al.	.....	D12/579	D570,767 S	*	6/2008	Miyazaki et al.	.....	D12/579
D512,370 S	*	12/2005	Pang	.....	D12/579	D573,941 S	*	7/2008	Song	.....	D12/579
D526,954 S	*	8/2006	Godeau	.....	D12/539	D573,942 S	*	7/2008	Song	.....	D12/579
						D589,436 S	*	3/2009	Beha et al.	.....	D12/579

\* cited by examiner

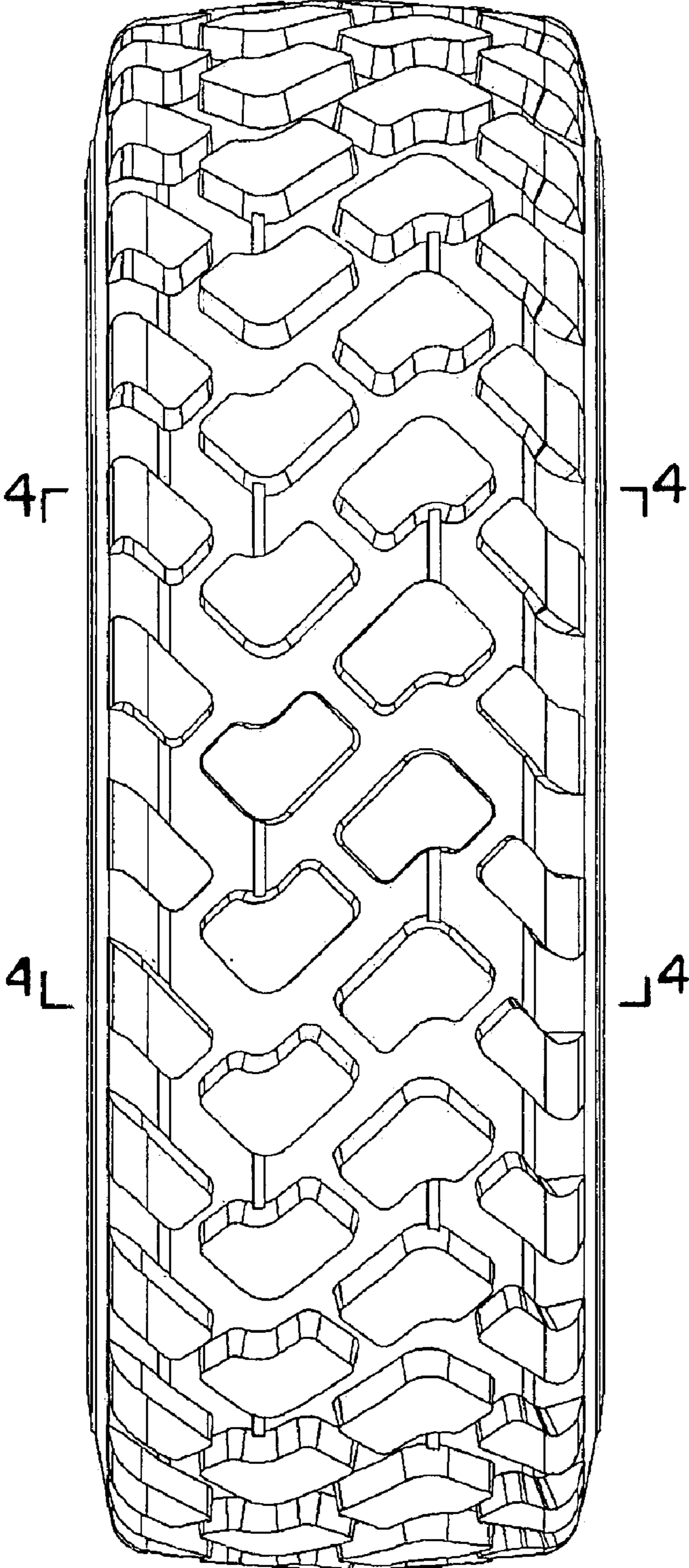


Fig. 1



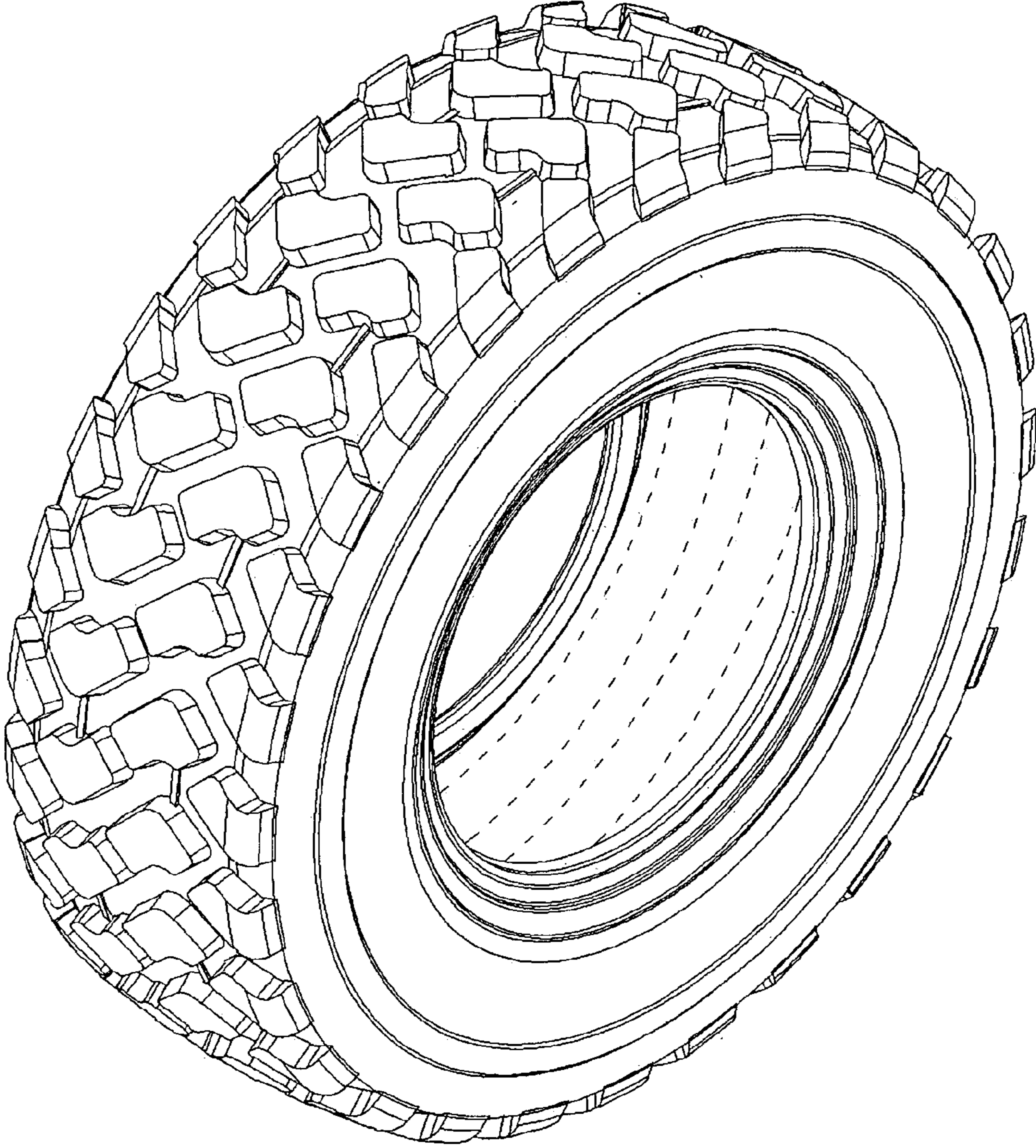


Fig. 2

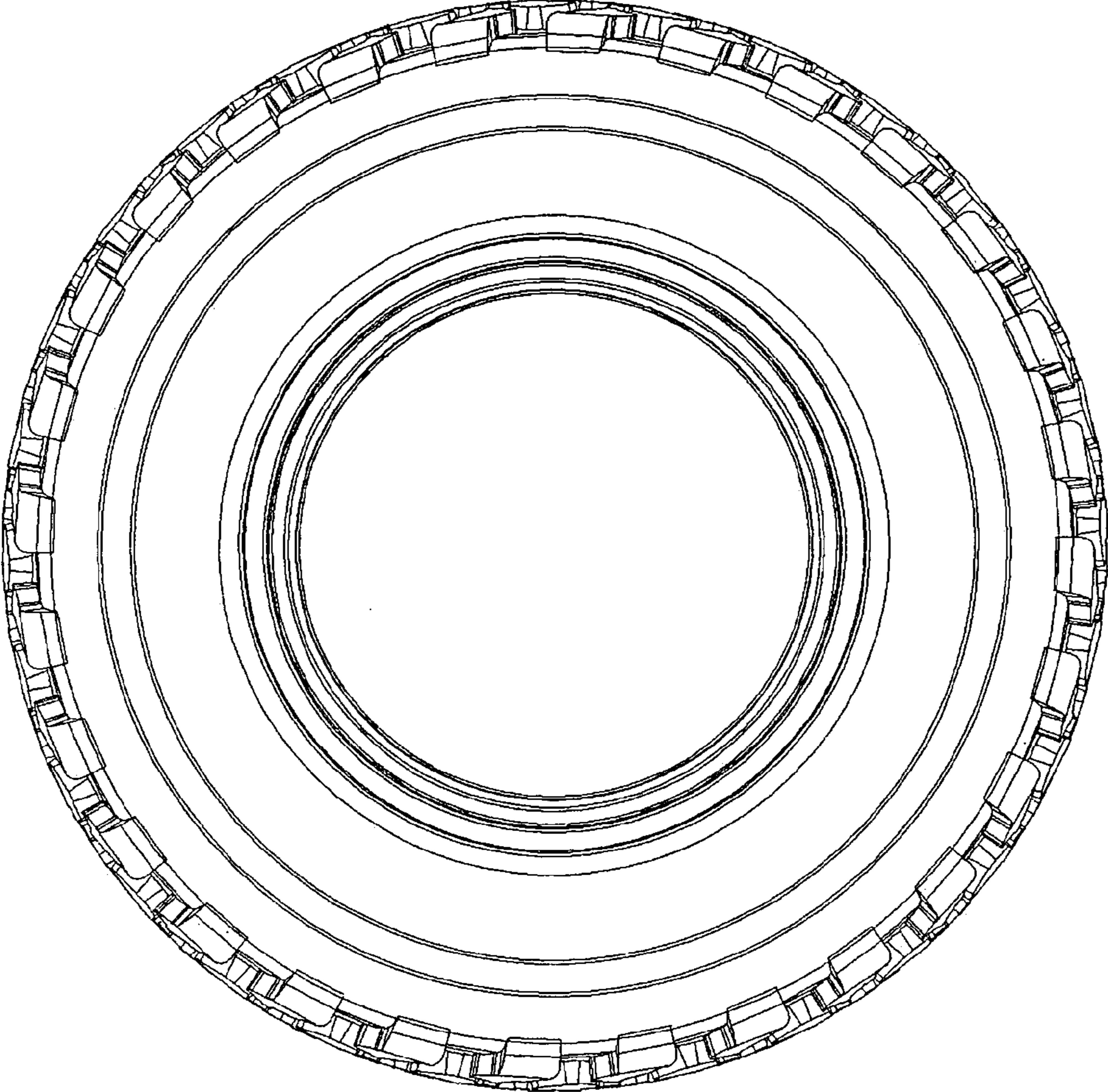


Fig. 3

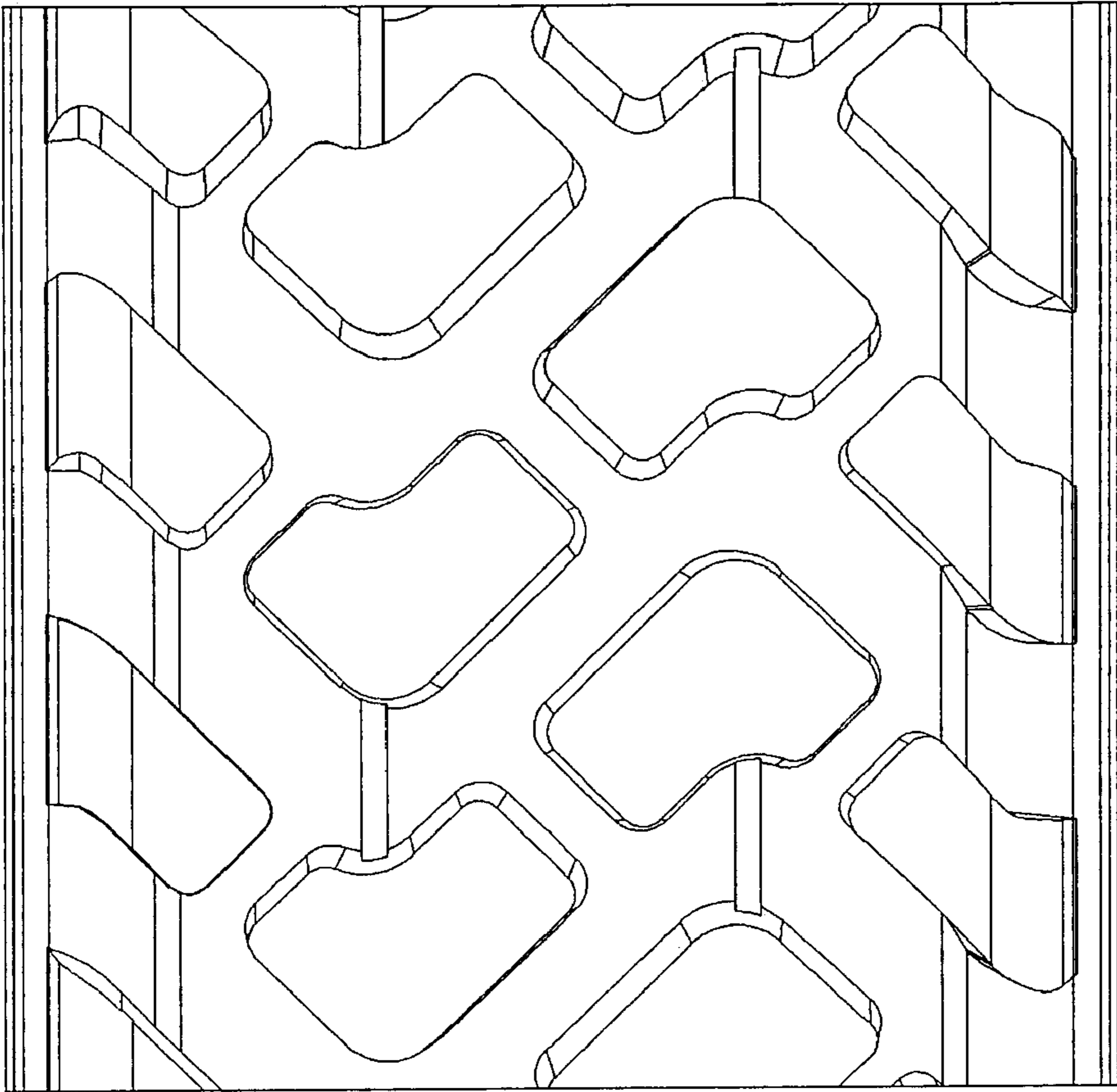


Fig. 4