



US00D624000S

(12) **United States Design Patent**  
**Wilson**

(10) **Patent No.:** **US D624,000 S**  
(45) **Date of Patent:** **\*\* Sep. 21, 2010**

(54) **SET OF TOWER SUPPORTS**

(57) **CLAIM**

(75) Inventor: **Daniel C. Wilson**, Knoxville, TN (US)

The ornamental design for a set of tower supports, as shown and described.

(73) Assignee: **Tennessee Watercraft, Inc.**, Vonore, TN (US)

(\*\*) Term: **14 Years**

**DESCRIPTION**

(21) Appl. No.: **29/322,979**

FIG. 1 is a top plan view of a set of tower supports according to the present invention;

(22) Filed: **Aug. 15, 2008**

FIG. 2 is a left side view of the present invention;

(51) **LOC (9) Cl.** ..... **12-06**

FIG. 3 is an enlarged bottom plan view of the present invention;

(52) **U.S. Cl.** ..... **D12/317**

FIG. 4 is an enlarged fragmentary bottom perspective view of the upper right tower support of the present invention shown separately for the clarity of illustration;

(58) **Field of Classification Search** ..... D12/300,  
D12/301, 310–314, 317, 318, 114; 114/247,  
114/249, 250, 253, 254, 343, 361, 364; D8/349,  
D8/354, 382

See application file for complete search history.

FIG. 5 is an enlarged fragmentary bottom perspective view of the upper left tower support of the present invention shown separately for the clarity of illustration;

(56) **References Cited**

FIG. 6 is an enlarged sectional view of the present invention, taken along line 6—6 in FIG. 3;

**U.S. PATENT DOCUMENTS**

3,925,836	A *	12/1975	Simmonds	.....	114/364
5,669,325	A *	9/1997	Feikema	.....	114/343
D409,972	S	5/1999	Todd		
5,979,350	A	11/1999	Larson et al.		
6,044,788	A	4/2000	Larson et al.		
6,192,819	B1	2/2001	Larson et al.		
D442,910	S	5/2001	Metcalf		
6,374,762	B1	4/2002	Larson et al.		
D462,932	S	9/2002	Larson		
D465,194	S	11/2002	Eck		
D468,254	S	1/2003	Eck		

FIG. 7 is an enlarged fragmentary top perspective view of the upper left tower support of the present invention shown separately for the clarity of illustration;

FIG. 8 is an enlarged fragmentary bottom perspective view of the central tower support of the present invention shown separately for the clarity of illustration;

FIG. 9 is an enlarged fragmentary top perspective view of the central tower support of the present invention shown separately for the clarity of illustration;

FIG. 10 is an enlarged sectional view, taken along line 10—10 in FIG. 3;

FIG. 11 is an enlarged sectional view, taken along line 11—11 in FIG. 3; and,

FIG. 12 is an enlarged sectional view, taken along line 12—12 in FIG. 3.

(Continued)

**OTHER PUBLICATIONS**

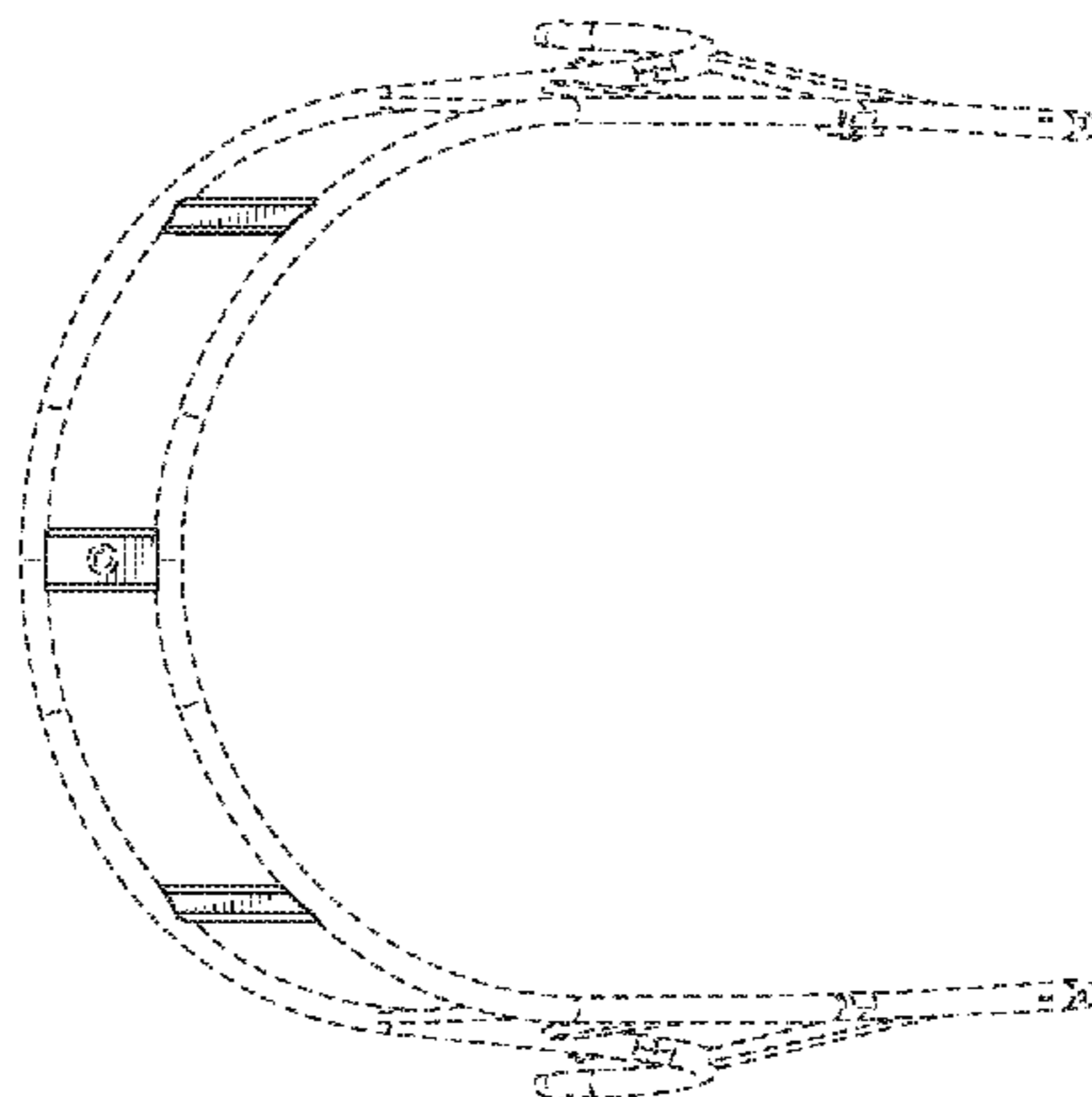
Williams: "2002 Wakeboard Expo," <http://www.wakeworld.com/articles/2002/expo.asp>; Sep. 26, 2002; pp. 1-12.

The broken lines represent portions of the design that form no part of the claim.

*Primary Examiner*—Cynthia M Chin

(74) *Attorney, Agent, or Firm*—Keating & Bennett, LLP

**1 Claim, 4 Drawing Sheets**



# US D624,000 S

Page 2

U.S. PATENT DOCUMENTS						
			7,216,600	B1	5/2007	Hamilton et al.
6,539,886	B2	4/2003	7,216,604	B2 *	5/2007	Finney et al. .... 114/361
6,550,414	B1	4/2003	7,219,617	B2	5/2007	Metcalf
D479,500	S *	9/2003	7,222,579	B2	5/2007	Hillesund et al.
			7,234,408	B1	6/2007	Clemmons et al.
D480,349	S	10/2003	D551,154	S	9/2007	Metcalf
D482,649	S	11/2003	7,263,944	B1	9/2007	Smith
6,666,159	B2	12/2003	7,270,075	B1	9/2007	Jones
D486,441	S	2/2004	D555,545	S *	11/2007	Peek ..... D12/114
D486,774	S	2/2004	D568,804	S *	5/2008	Zsido ..... D12/317
D489,314	S	5/2004	2001/0006037	A1	7/2001	Badley
6,792,888	B1	9/2004	2002/0046690	A1	4/2002	Roeseler et al.
6,854,413	B2	2/2005	2002/0134293	A1	9/2002	Larson et al.
6,865,999	B2	3/2005	2004/0011276	A1	1/2004	Jackson et al.
6,910,437	B2	6/2005	2004/0129196	A1 *	7/2004	Jesewitz ..... 114/364
6,925,957	B2	8/2005	2004/0144295	A1	7/2004	Bierbower, Jr.
6,945,188	B2	9/2005	2004/0154519	A1	8/2004	Larson et al.
D510,902	S *	10/2005	2004/0159278	A1	8/2004	O'Reilly et al.
			2004/0187762	A1	9/2004	Metcalf
6,986,321	B2	1/2006	2004/0187763	A1	9/2004	Metcalf
6,997,131	B2	2/2006	2004/0187764	A1	9/2004	Eck et al.
7,017,509	B2	3/2006	2005/0139139	A1	6/2005	Jackson et al.
D519,910	S	5/2006	2006/0180072	A1	8/2006	Metcalf
D529,856	S	10/2006	2007/0034134	A1	2/2007	Carlton
D534,855	S	1/2007	2007/0079746	A1 *	4/2007	Finney et al. .... 114/364
7,167,412	B2	1/2007				
7,178,475	B2	2/2007				
D537,763	S	3/2007				

\* cited by examiner

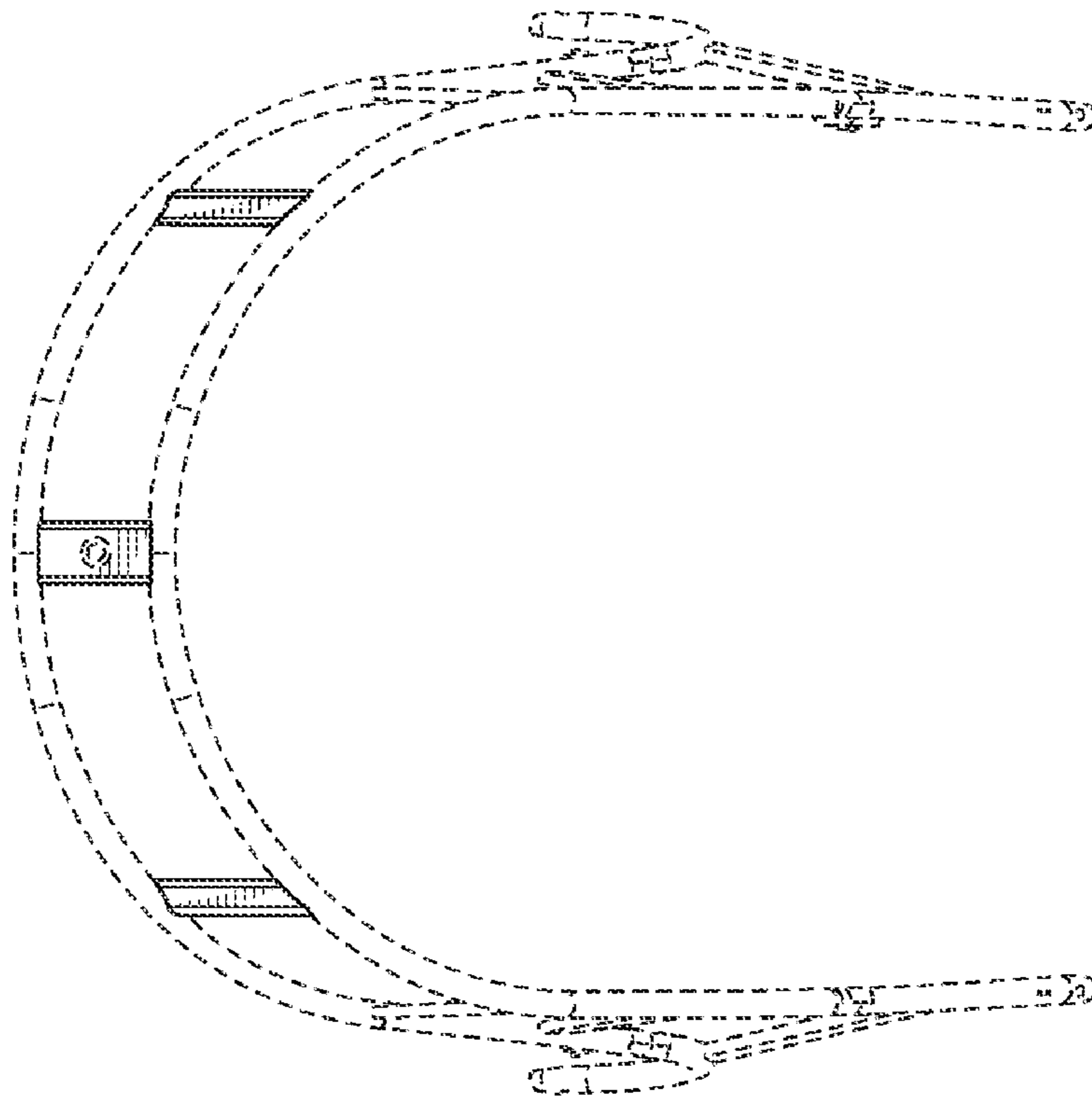


Fig. 1

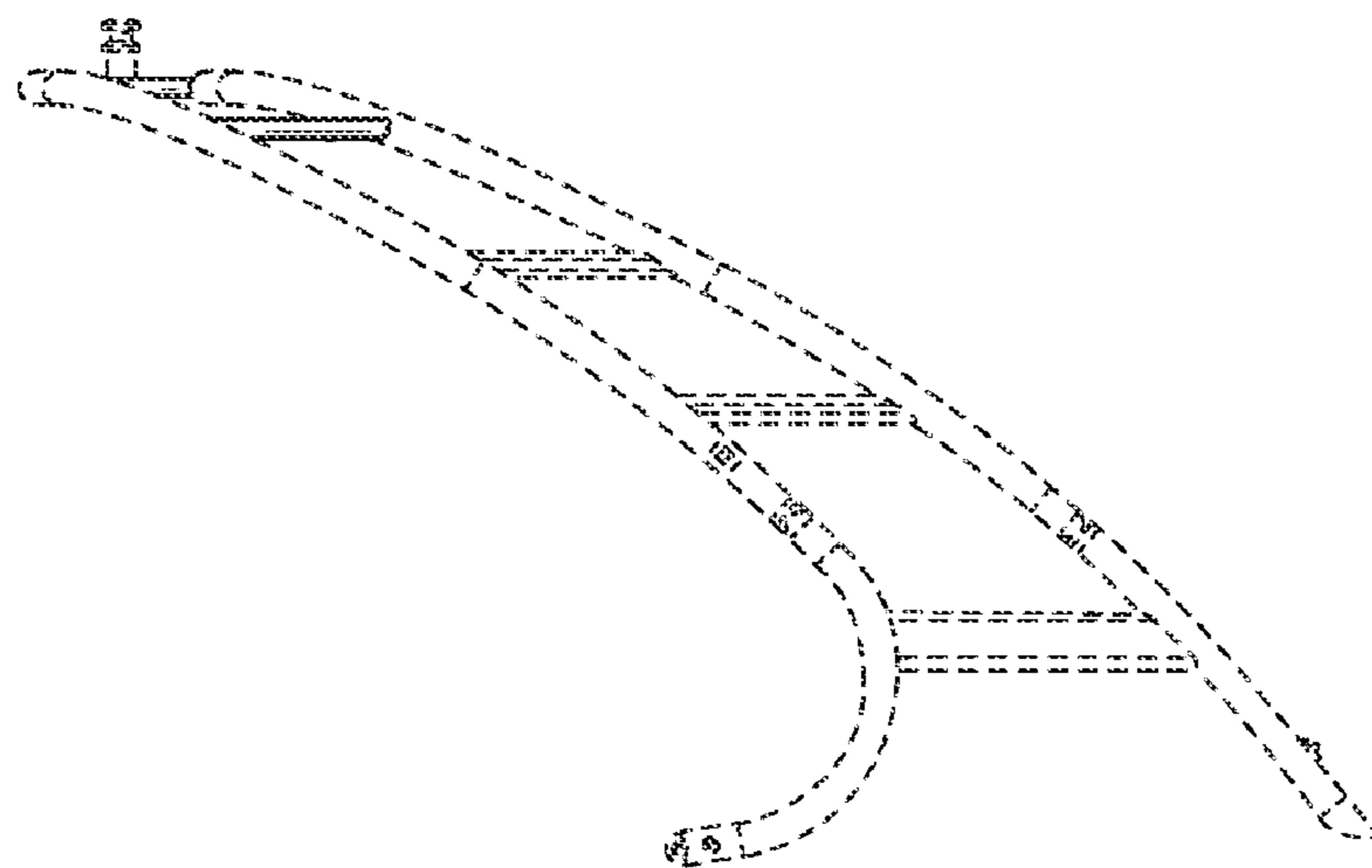


Fig. 2

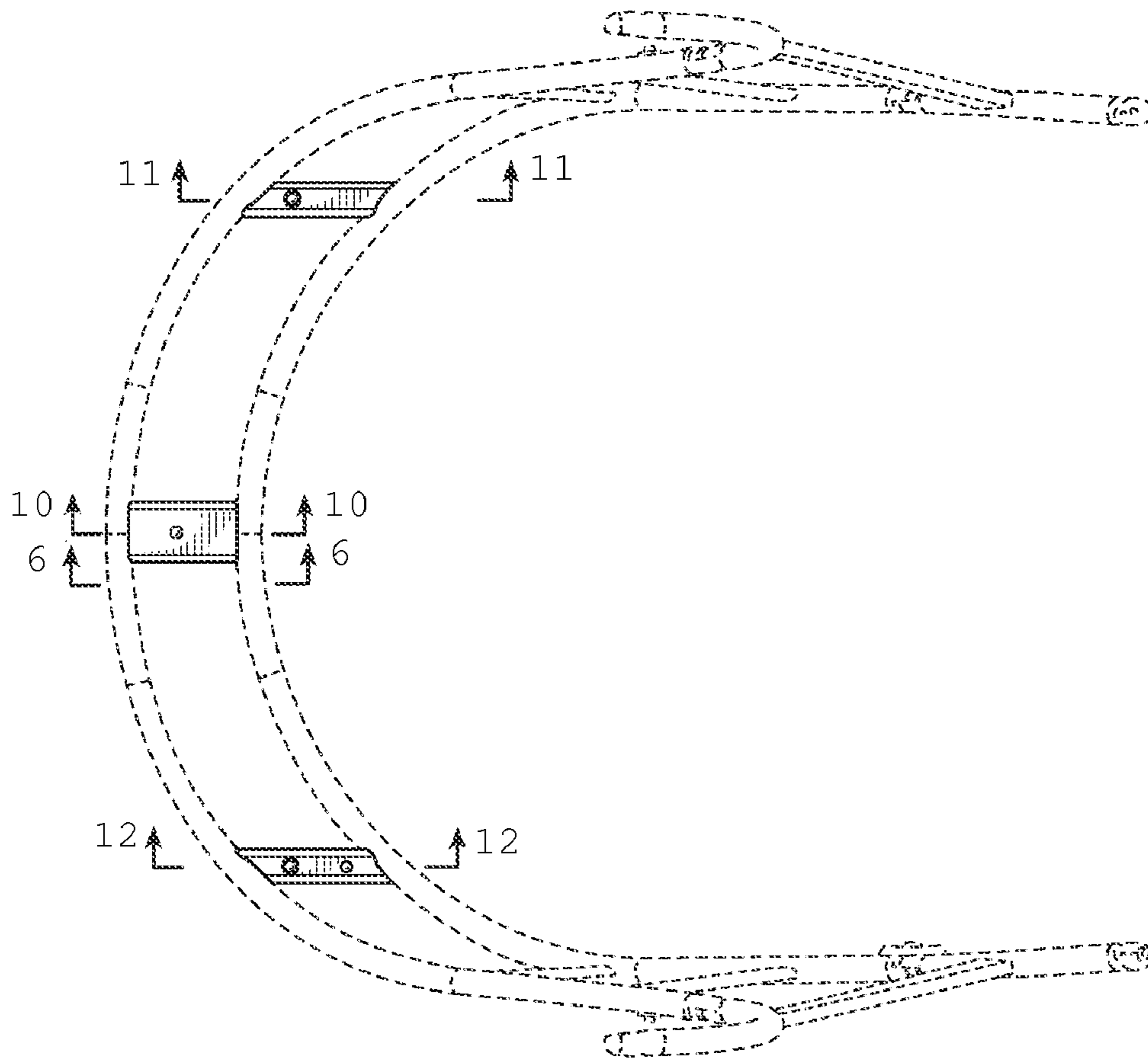


Fig. 3

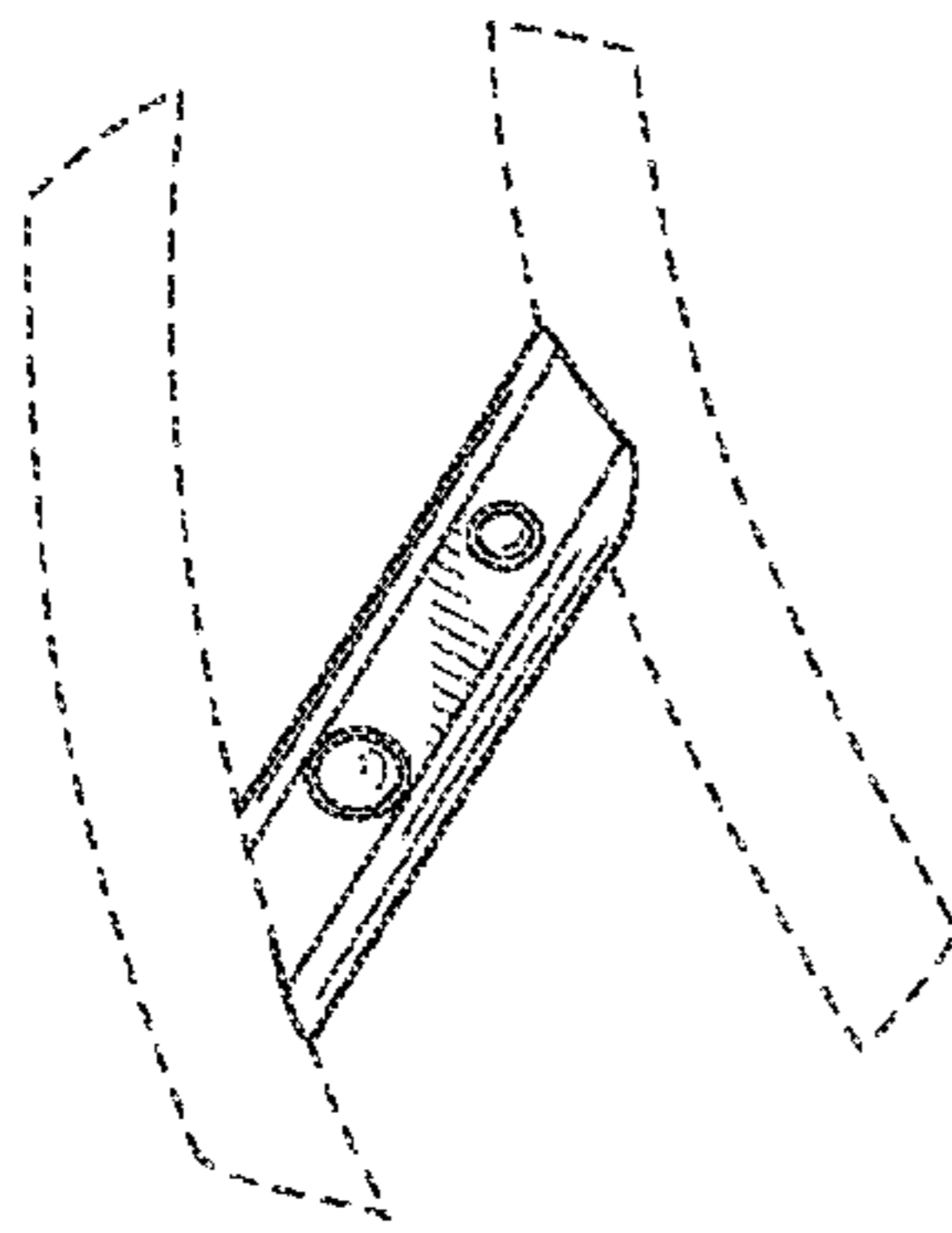


Fig. 4

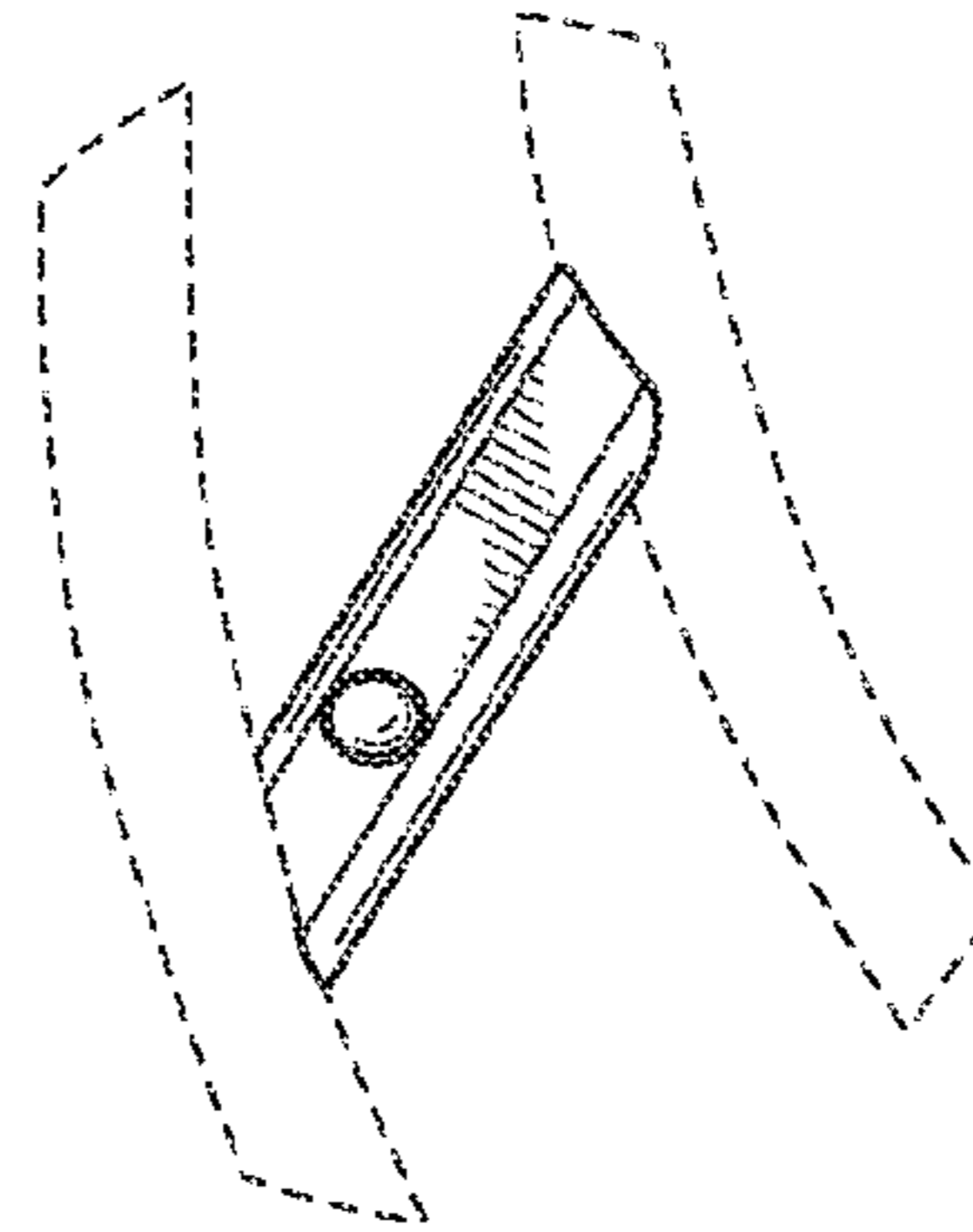


Fig. 5

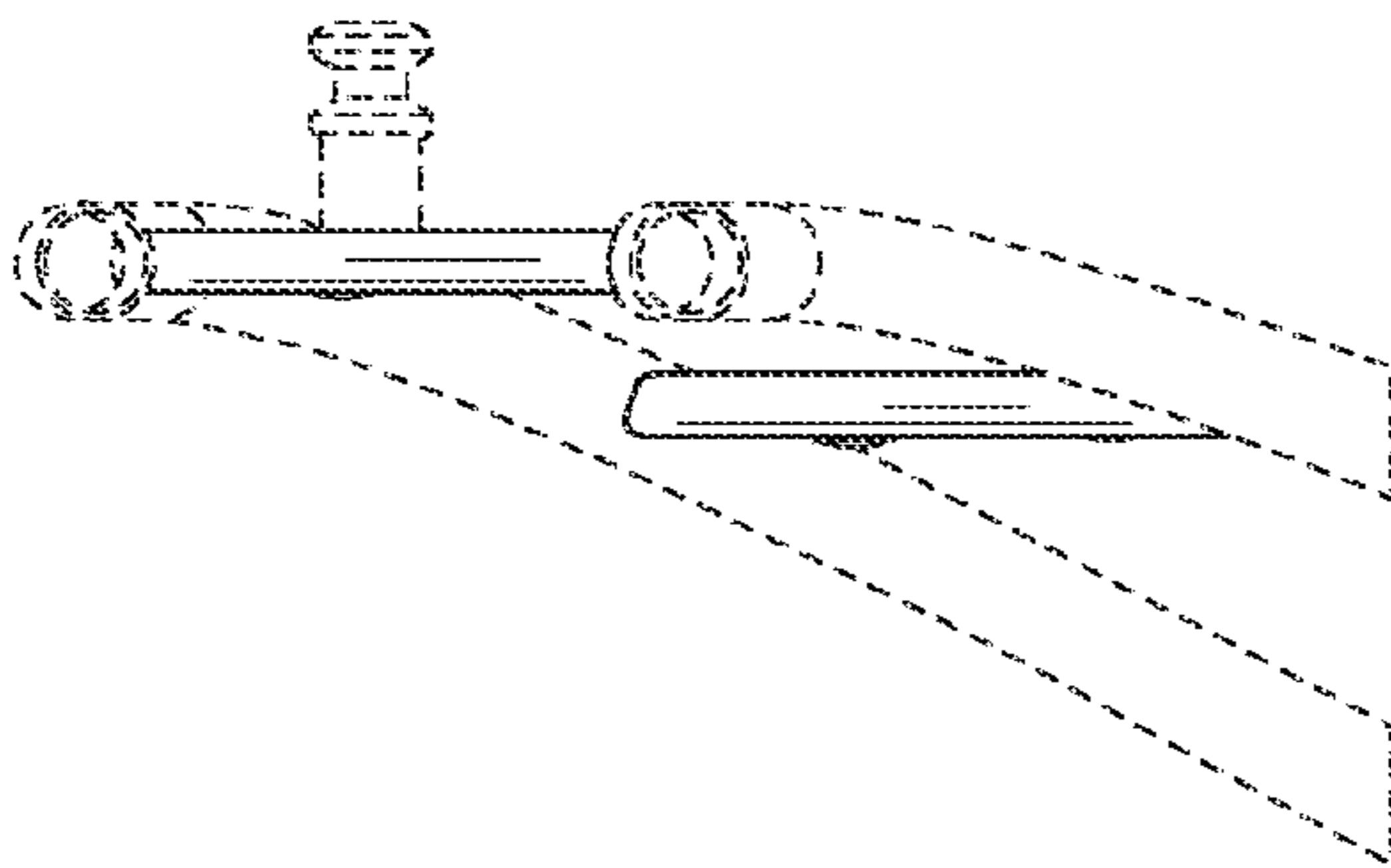


Fig. 6

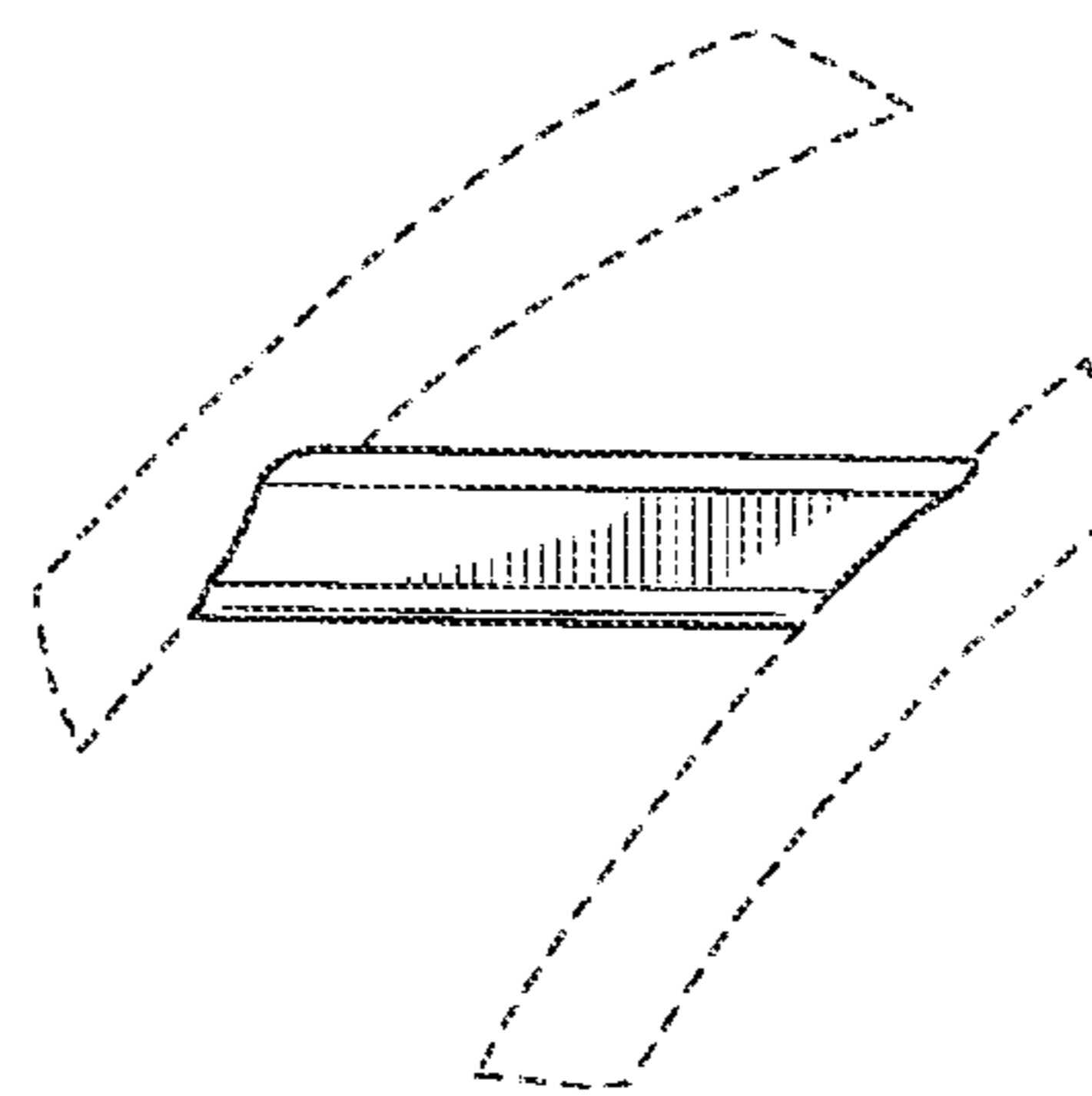


Fig. 7

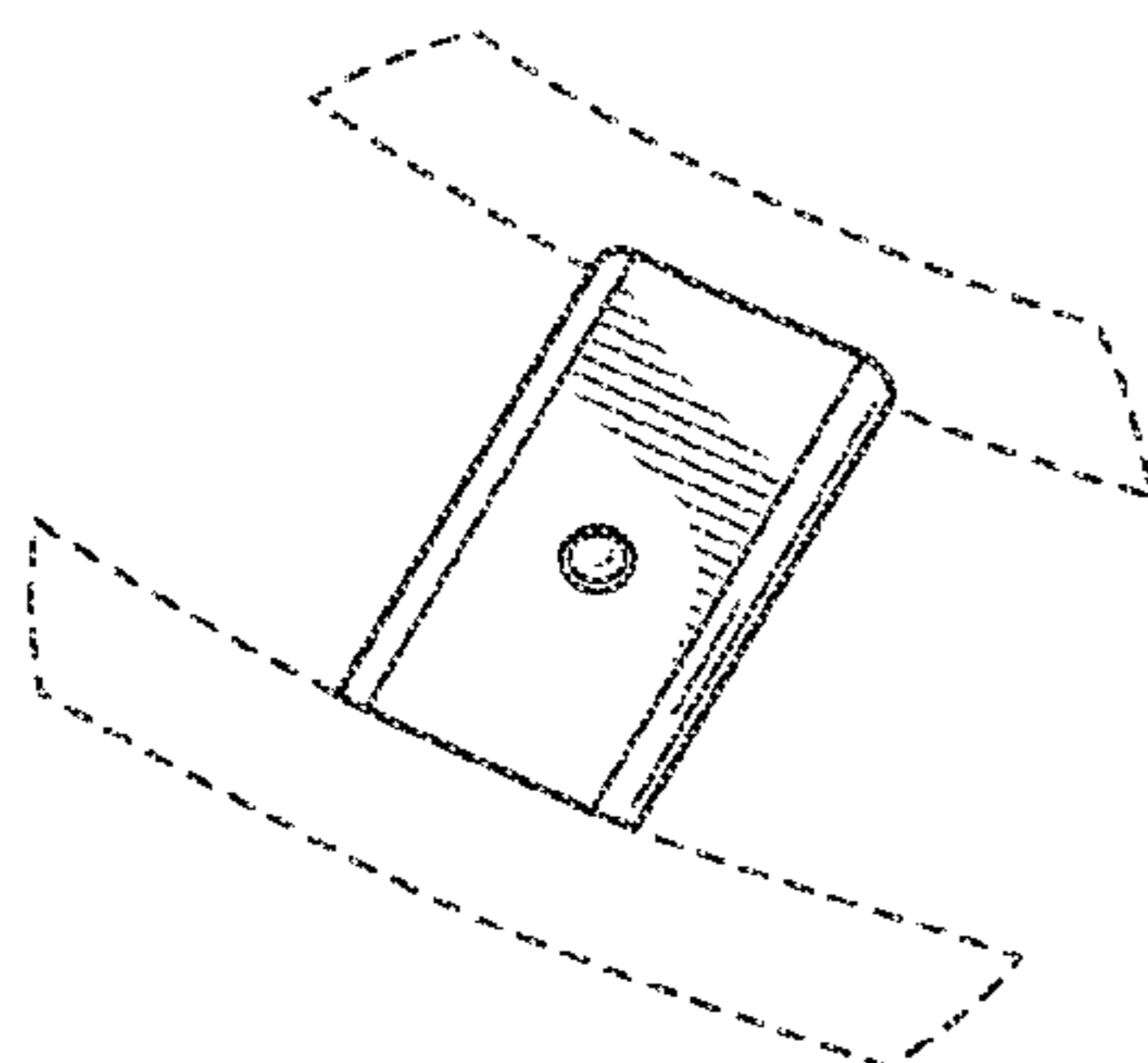


Fig. 8

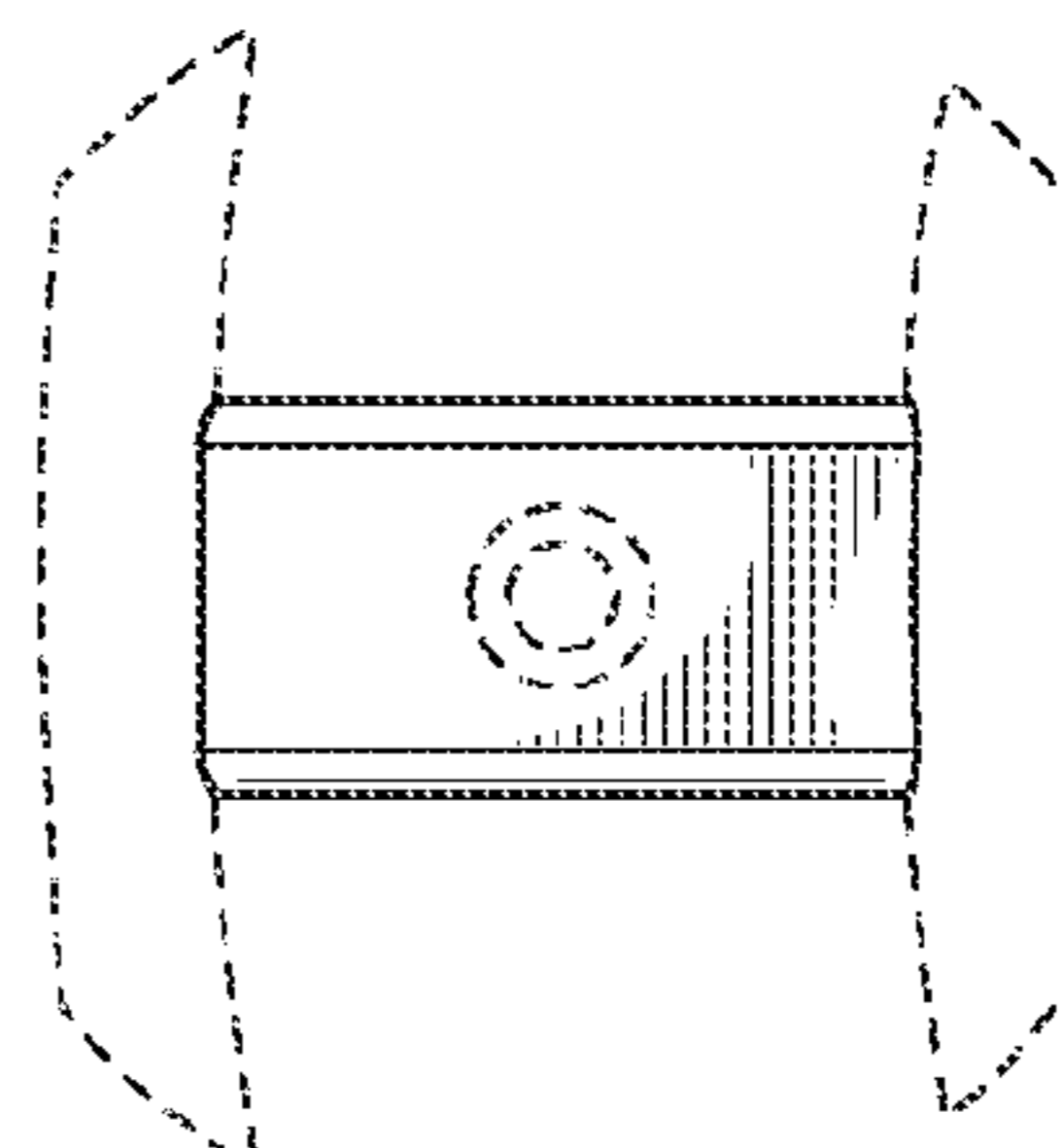


Fig. 9

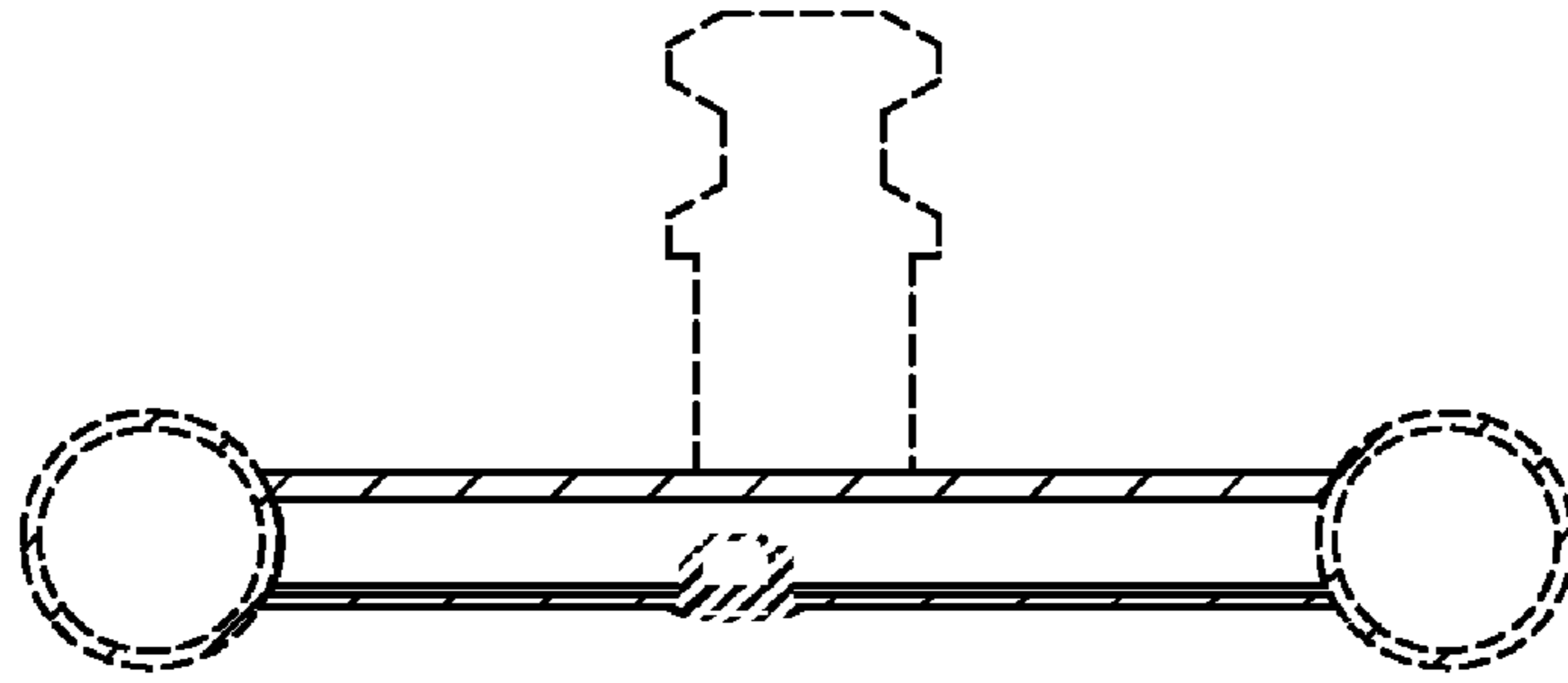


FIG. 10

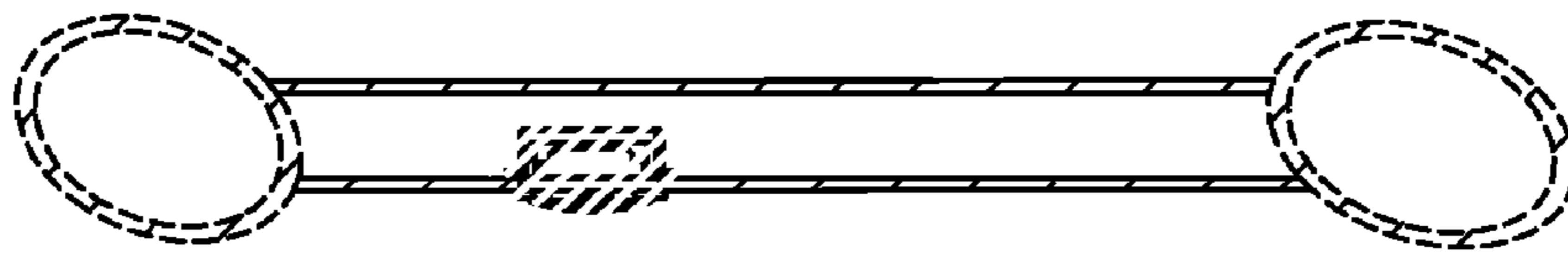


FIG. 11

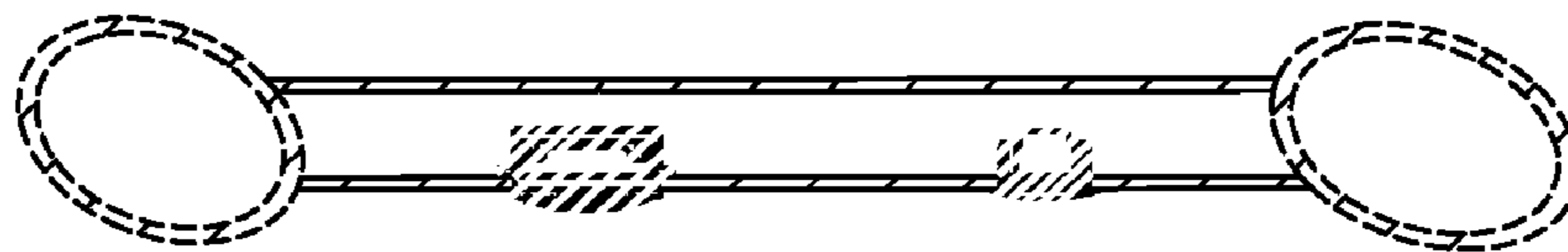


FIG. 12