



US00D623999S

(12) **United States Design Patent**
Holstein et al.

(10) **Patent No.:** **US D623,999 S**

(45) **Date of Patent:** **** Sep. 21, 2010**

(54) **WHEEL OR WHEEL COVER**

(75) Inventors: **Henning Holstein**, Dietersburg (DE);
Marcus Syring, Munich (DE)

(73) Assignee: **Bayerische Motoren Werke**
Aktiengesellschaft, Munich (DE)

(**) Term: **14 Years**

(21) Appl. No.: **29/357,592**

(22) Filed: **Mar. 15, 2010**

(30) **Foreign Application Priority Data**

Sep. 16, 2009 (DE) 402009004624

(51) **LOC (9) Cl.** **12-16**

(52) **U.S. Cl.** **D12/211**

(58) **Field of Classification Search** D12/204-213;
301/37.101, 64.101, 65, 64.201

See application file for complete search history.

(56) **References Cited**

U.S. PATENT DOCUMENTS

D373,562 S	*	9/1996	Cole	D12/211
D388,047 S	*	12/1997	Pfeiffer et al.	D12/211
D430,525 S		9/2000	Lampkin		
D451,066 S	*	11/2001	Pfeiffer et al.	D12/211
D471,852 S	*	3/2003	Pfeiffer et al.	D12/211
D482,647 S	*	11/2003	Lecher et al.	D12/211
D504,383 S	*	4/2005	Pfeiffer	D12/211

D519,072 S	*	4/2006	Komuro	D12/209
D522,951 S	*	6/2006	Pfeiffer	D12/211
D525,578 S	*	7/2006	Schell	D12/211
D526,263 S	*	8/2006	Brown	D12/209
D534,114 S		12/2006	Holstein		
D550,598 S	*	9/2007	Schaefers	D12/209

FOREIGN PATENT DOCUMENTS

DE	M9309920.7	5/1994
DE	M9805818.5	2/1999
EM	000517420-0004	6/2006
EM	000521117-0004	7/2006
EM	000968615-0001	6/2009

* cited by examiner

Primary Examiner—Stacia Cadmus

(74) *Attorney, Agent, or Firm*—Crowell & Moring LLP

(57) **CLAIM**

The ornamental design for a wheel or wheel cover, as shown and described.

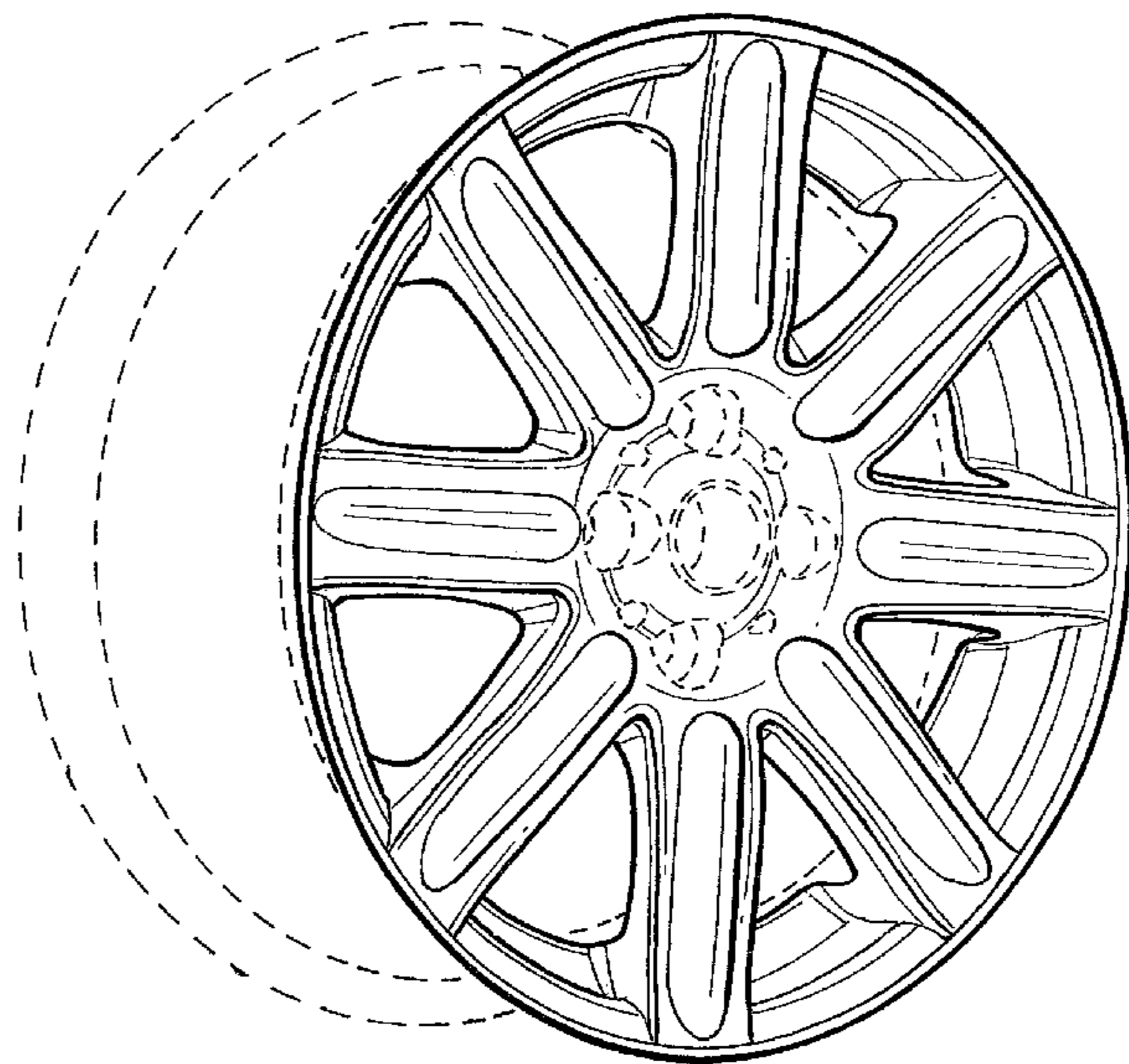
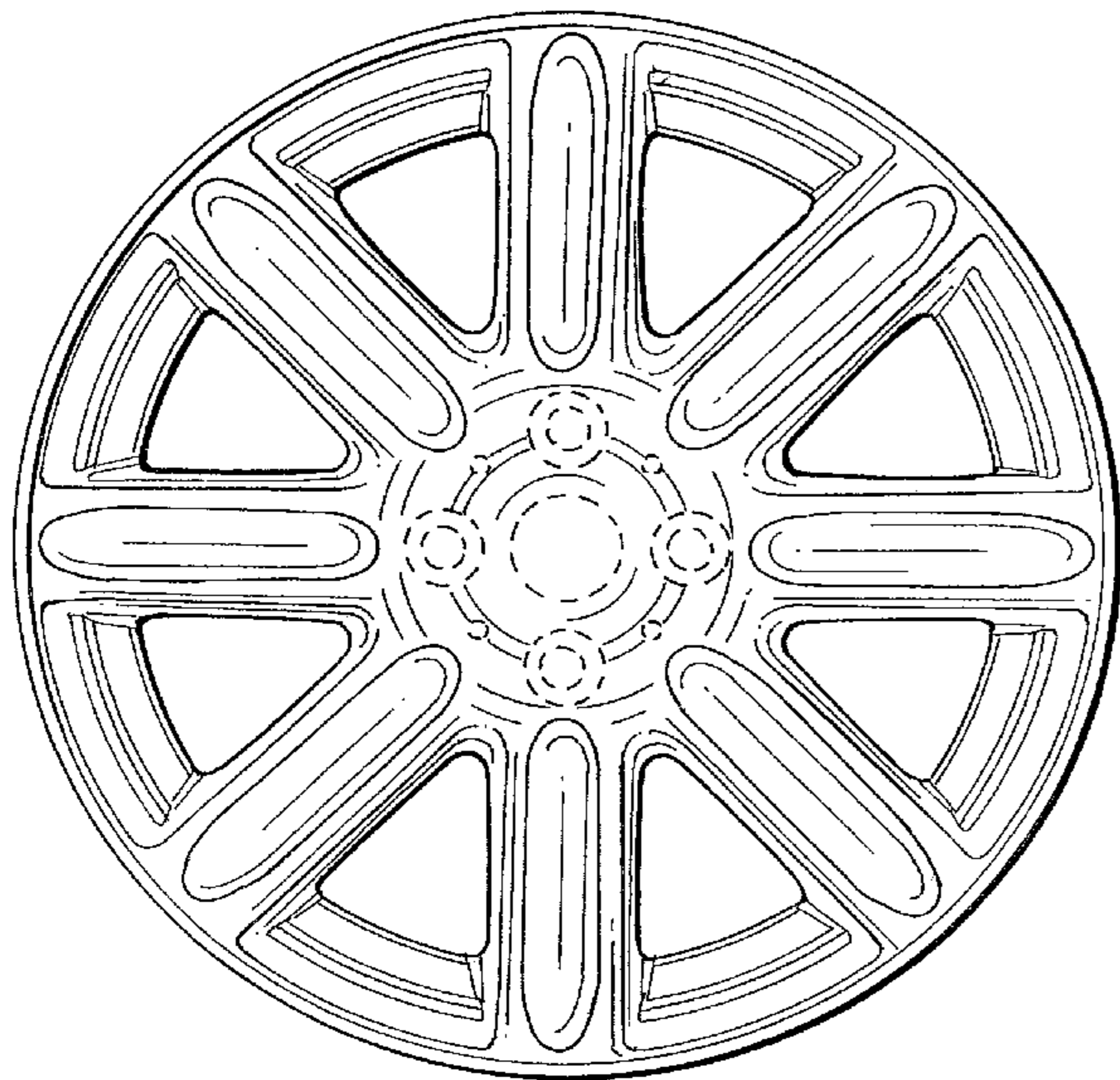
DESCRIPTION

FIG. 1 is a front view of a wheel or wheel cover according to our design; and,

FIG. 2 is a perspective view thereof.

The broken line showing of the rear of the rim and the bolt holes and center hole in the central hub area is included for the purpose of illustrating environment and forms no part of the claimed design.

1 Claim, 1 Drawing Sheet



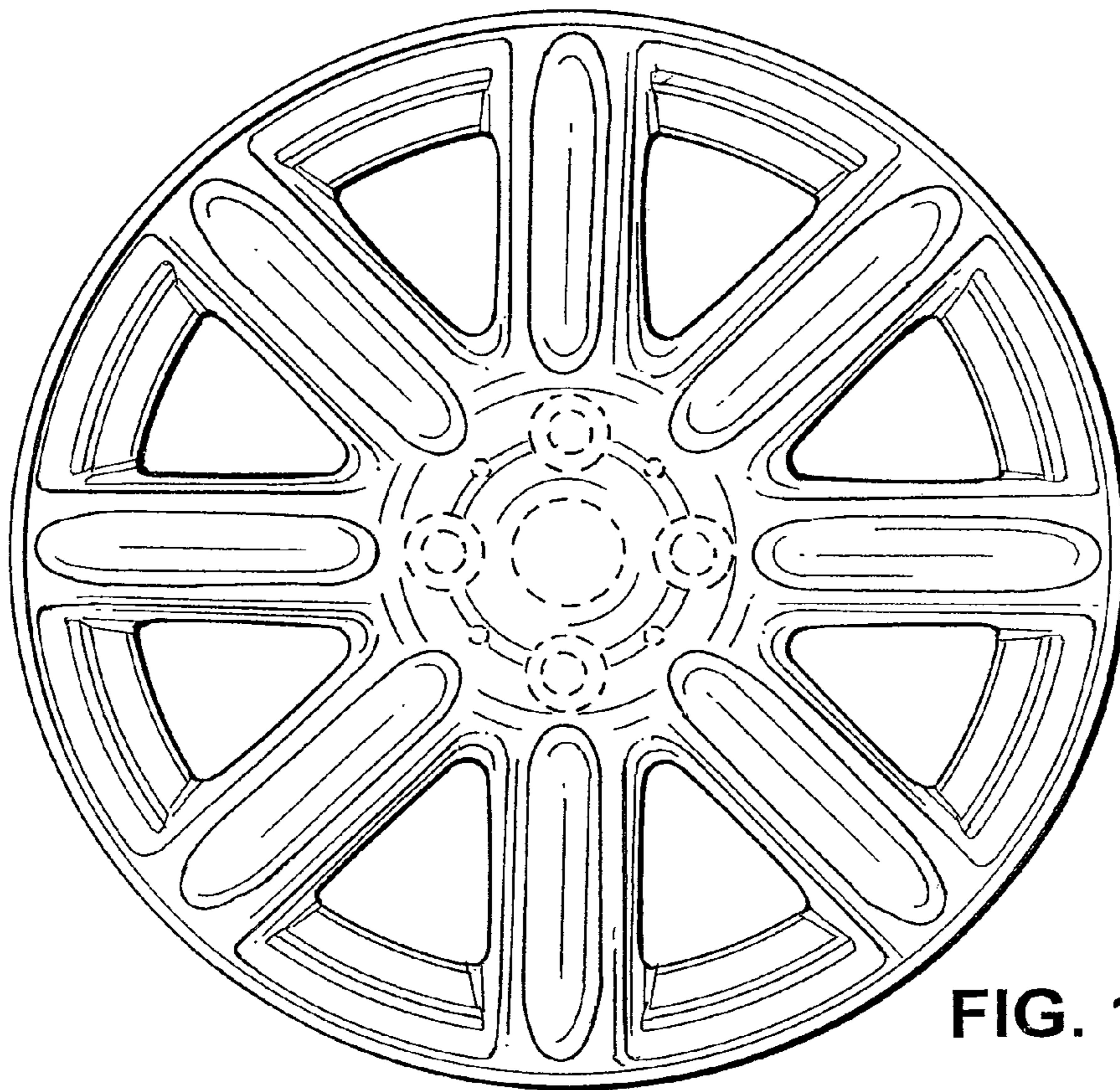


FIG. 1

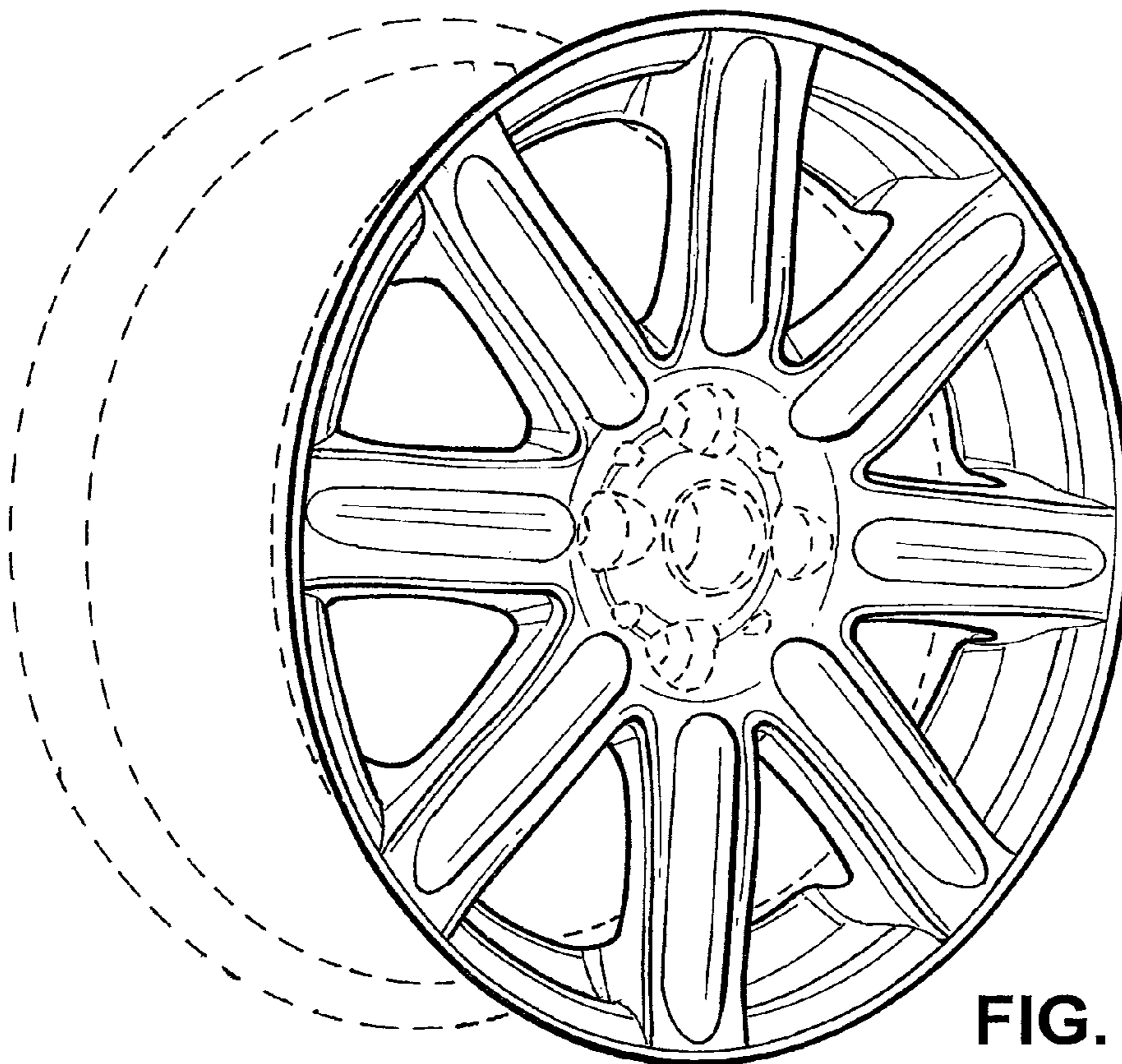


FIG. 2