



US00D623998S

(12) **United States Design Patent**
Holstein et al.

(10) **Patent No.:** **US D623,998 S**

(45) **Date of Patent:** **** Sep. 21, 2010**

(54) **WHEEL OR WHEEL COVER**

(75) Inventors: **Henning Holstein**, Dietersburg (DE);
Dirk Juergens, Munich (DE); **Rainer
Mueller**, Munich (DE)

(73) Assignee: **Bayerische Motoren Werke
Aktiengesellschaft**, Munich (DE)

(**) Term: **14 Years**

(21) Appl. No.: **29/357,594**

(22) Filed: **Mar. 15, 2010**

(30) **Foreign Application Priority Data**

Sep. 16, 2009 (DE) 402009004624

(51) **LOC (9) Cl.** **12-16**

(52) **U.S. Cl.** **D12/209**

(58) **Field of Classification Search** D12/204-213;
301/37.101, 64.101, 65, 64.201

See application file for complete search history.

(56) **References Cited**

U.S. PATENT DOCUMENTS

D367,461 S *	2/1996	Chung	D12/209
D381,618 S *	7/1997	Suprihanto	D12/209
D491,124 S	6/2004	Rice		
D512,007 S	11/2005	Sze		
D516,988 S	3/2006	Laengerer		
D519,431 S *	4/2006	Francis	D12/209
D522,433 S *	6/2006	Szavits	D12/209
D548,160 S *	8/2007	Viandante	D12/209
D558,114 S	12/2007	Pollmann		
D560,585 S	1/2008	Blasi		

D572,184 S *	7/2008	Takigawa et al.	D12/209
D593,018 S	5/2009	Juergens et al.		
D593,920 S	6/2009	Juergens et al.		

FOREIGN PATENT DOCUMENTS

EM	000010442-0004	7/2003
EM	000226436-0001	11/2004
EM	000310438-0001	5/2005
EM	000660618-0002	3/2007
EM	000624812-0004	3/2008
EM	000997572-0001	10/2008
EM	000997572-0002	10/2008
EM	001636978-0001	11/2009

* cited by examiner

Primary Examiner—Stacia Cadmus

(74) *Attorney, Agent, or Firm*—Crowell & Moring LLP

(57) **CLAIM**

The ornamental design for a wheel or wheel cover, as shown and described.

DESCRIPTION

This application contains subject matter related to the following co-pending U.S. design patent application:

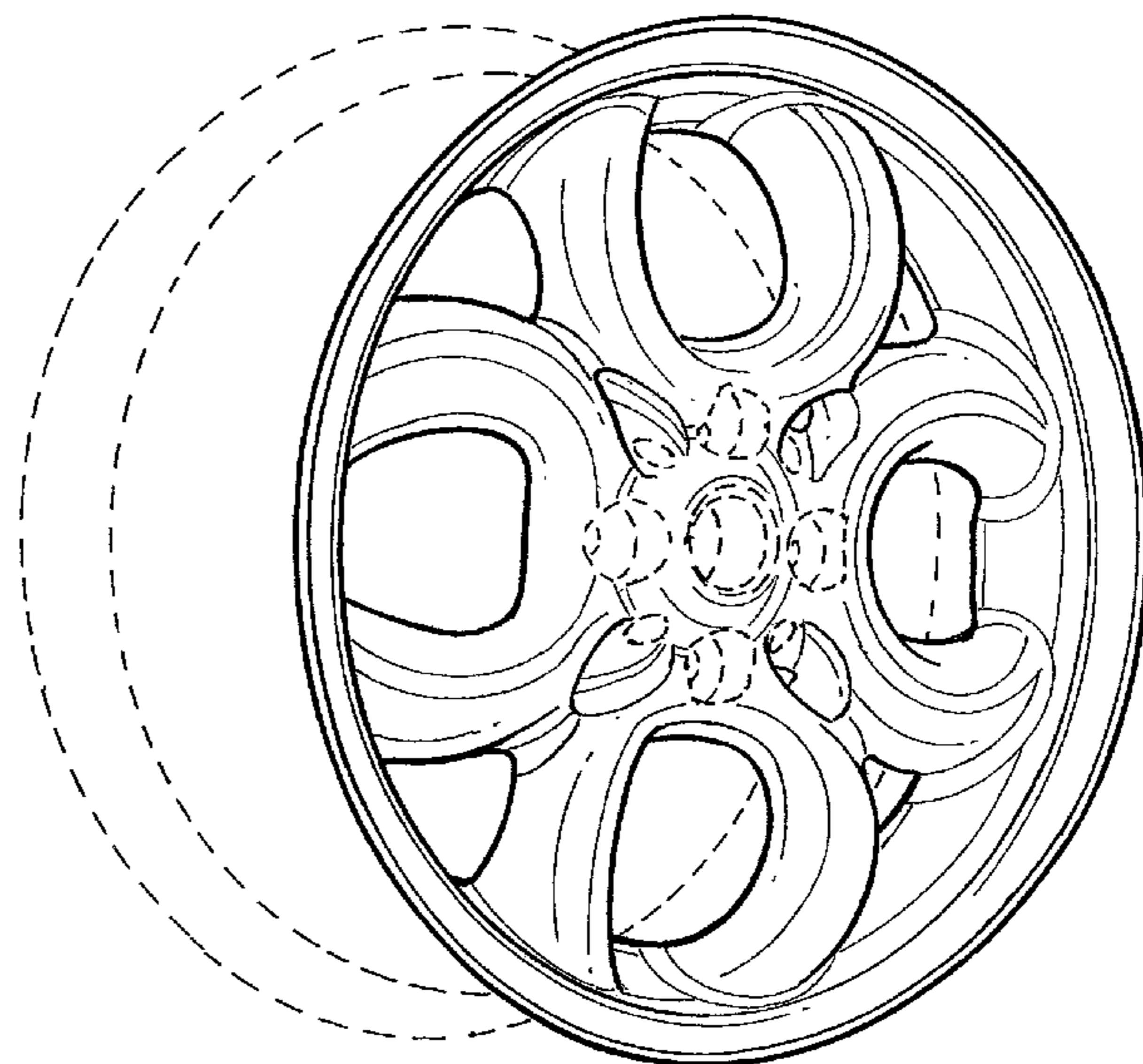
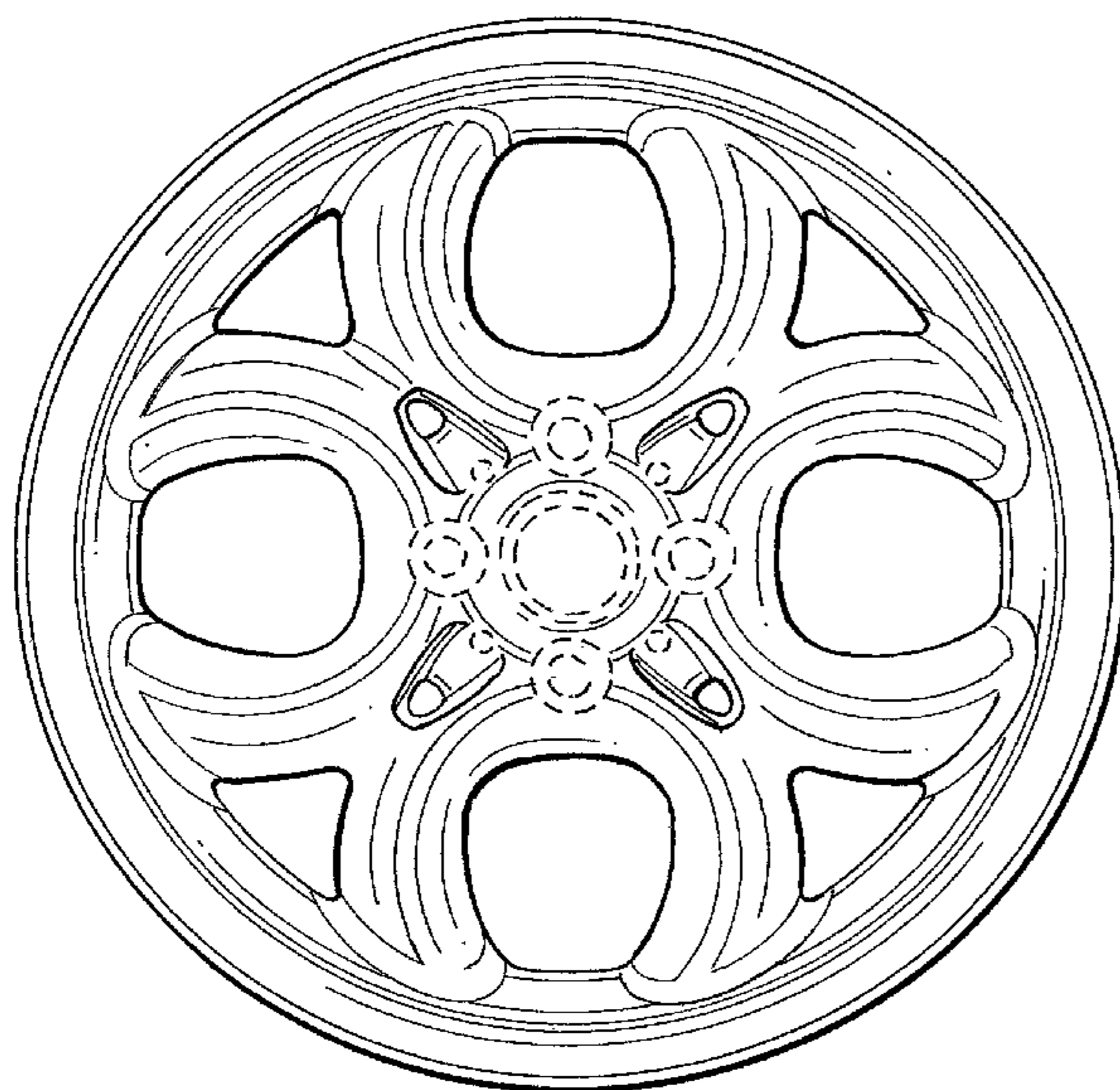
Application Ser. No. 29/347,282, filed Nov. 19, 2009.

FIG. 1 is a front view of a wheel or wheel cover according to our design; and,

FIG. 2 is a perspective view thereof.

The broken line showing of the rear of the rim and the bolt holes and center hole in the central hub area is included for the purpose of illustrating environment and forms no part of the claimed design.

1 Claim, 1 Drawing Sheet



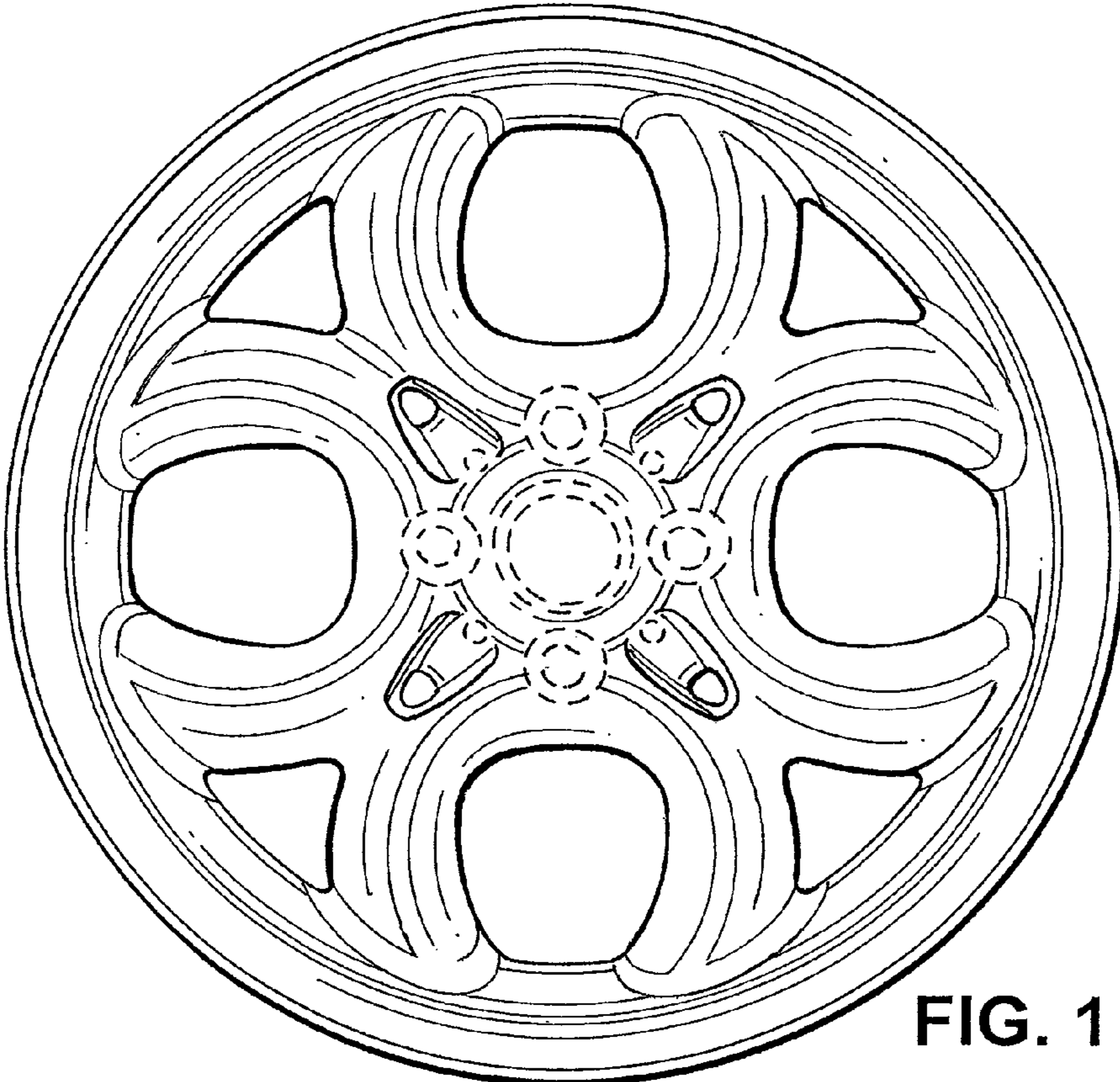


FIG. 1

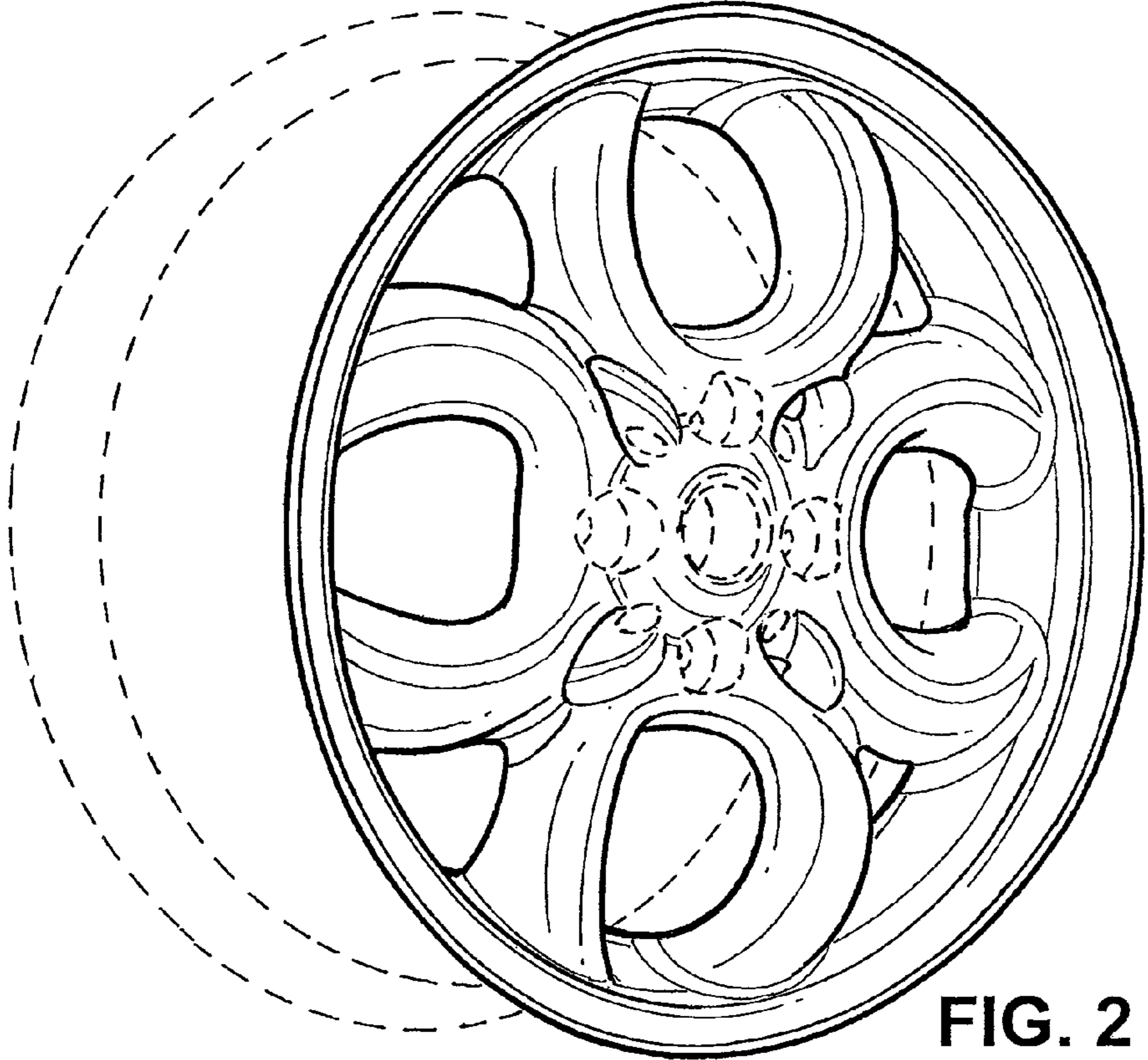


FIG. 2