



US00D623992S

(12) **United States Design Patent**
Derks et al.

(10) **Patent No.:** **US D623,992 S**

(45) **Date of Patent:** **** Sep. 21, 2010**

(54) **CONVERTIBLE WHEELED PATIENT AID**

(75) Inventors: **Richard P. Derks**, Hawthorn Woods, IL (US); **Ishwor P. Adhikari**, Mundelein, IL (US)

(73) Assignee: **Medline Ind.**, Mundelein, IL (US)

(**) Term: **14 Years**

(21) Appl. No.: **29/337,785**

(22) Filed: **May 29, 2009**

(51) **LOC (9) Cl.** **12-12**

(52) **U.S. Cl.** **D12/131**

(58) **Field of Classification Search** D12/128-133;
280/62, 647-650, 29, 200, 47.38, 250.1,
280/259, 642, 658; 297/DIG. 4; 296/65.03,
296/65.04; 224/209; 414/921; 135/65-67,
135/74

See application file for complete search history.

(56) **References Cited**

U.S. PATENT DOCUMENTS

| | | | | | |
|-----------|-----|---------|---------------|-------|-----------|
| 4,639,012 | A * | 1/1987 | Jensen | | 280/642 |
| 5,141,250 | A * | 8/1992 | Morgan et al. | | 280/250.1 |
| 5,188,383 | A * | 2/1993 | Thompson | | 280/250.1 |
| 5,224,731 | A * | 7/1993 | Johnson | | 280/648 |
| 5,253,888 | A * | 10/1993 | Friedrich | | 280/250.1 |

| | | | | | |
|-----------|------|---------|-------------------|-------|-----------|
| 5,340,140 | A * | 8/1994 | Bynum | | 280/304.1 |
| 5,558,358 | A * | 9/1996 | Johnson | | 280/648 |
| 5,560,627 | A * | 10/1996 | Zatulovsky et al. | | 280/42 |
| 5,865,457 | A * | 2/1999 | Knabusch et al. | | 280/304.1 |
| 7,052,023 | B2 * | 5/2006 | Chen et al. | | 280/47.38 |
| 7,537,237 | B2 * | 5/2009 | Chung et al. | | 280/647 |

* cited by examiner

Primary Examiner—Ian Simmons
Assistant Examiner—Charles D Hanson

(74) *Attorney, Agent, or Firm*—David S. Noskowicz

(57) **CLAIM**

The ornamental design for a convertible wheeled patient aid, as shown and described.

DESCRIPTION

FIG. 1 is a perspective view of a convertible wheeled patient aid showing our new design;

FIG. 2 is a front view thereof;

FIG. 3 is a rear view thereof;

FIG. 4 is a side view thereof;

FIG. 5 is an opposite side view thereof;

FIG. 6 is a top view thereof; and,

FIG. 7 is a bottom view thereof.

1 Claim, 7 Drawing Sheets





FIG. 1

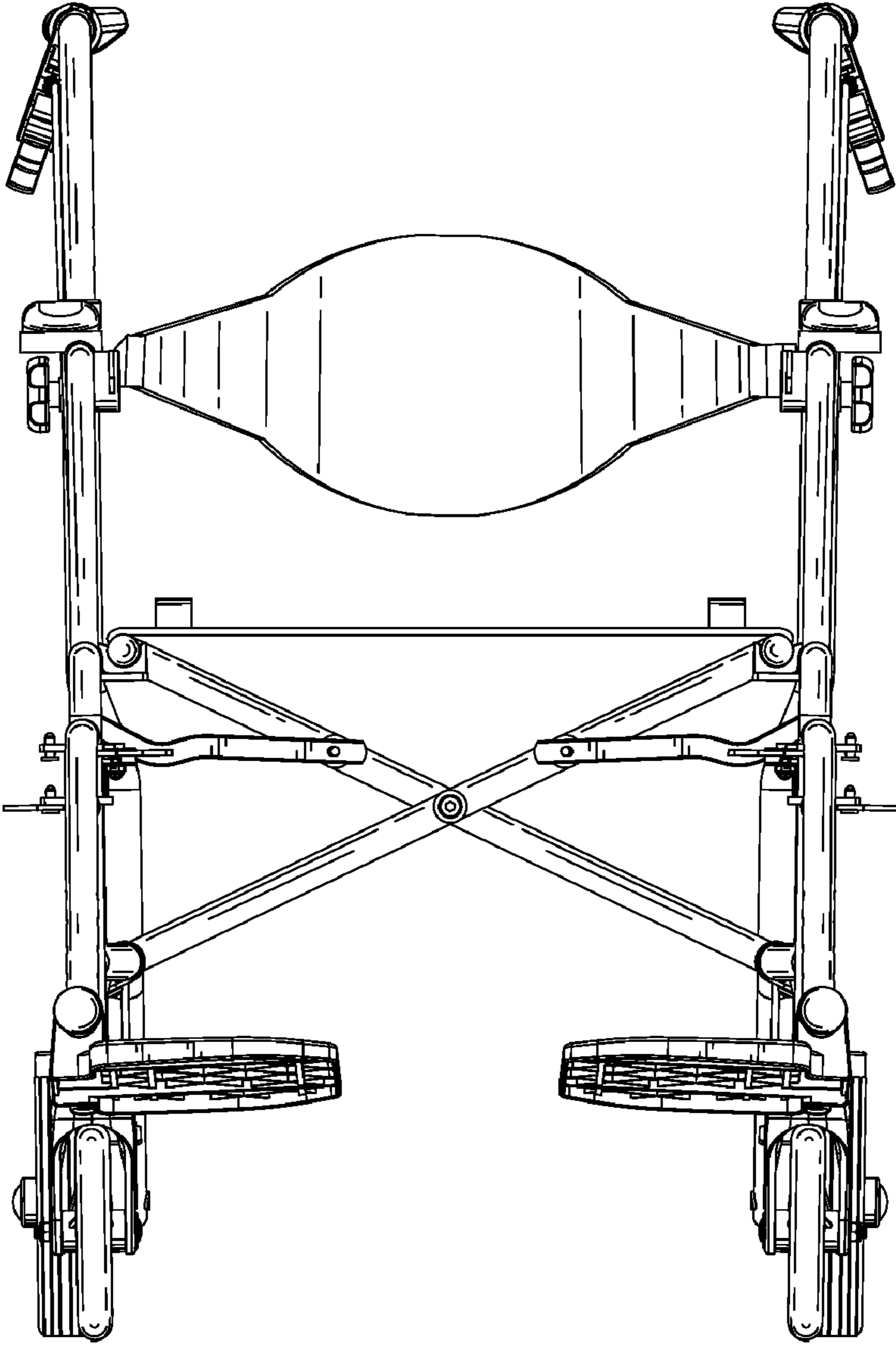


FIG. 2

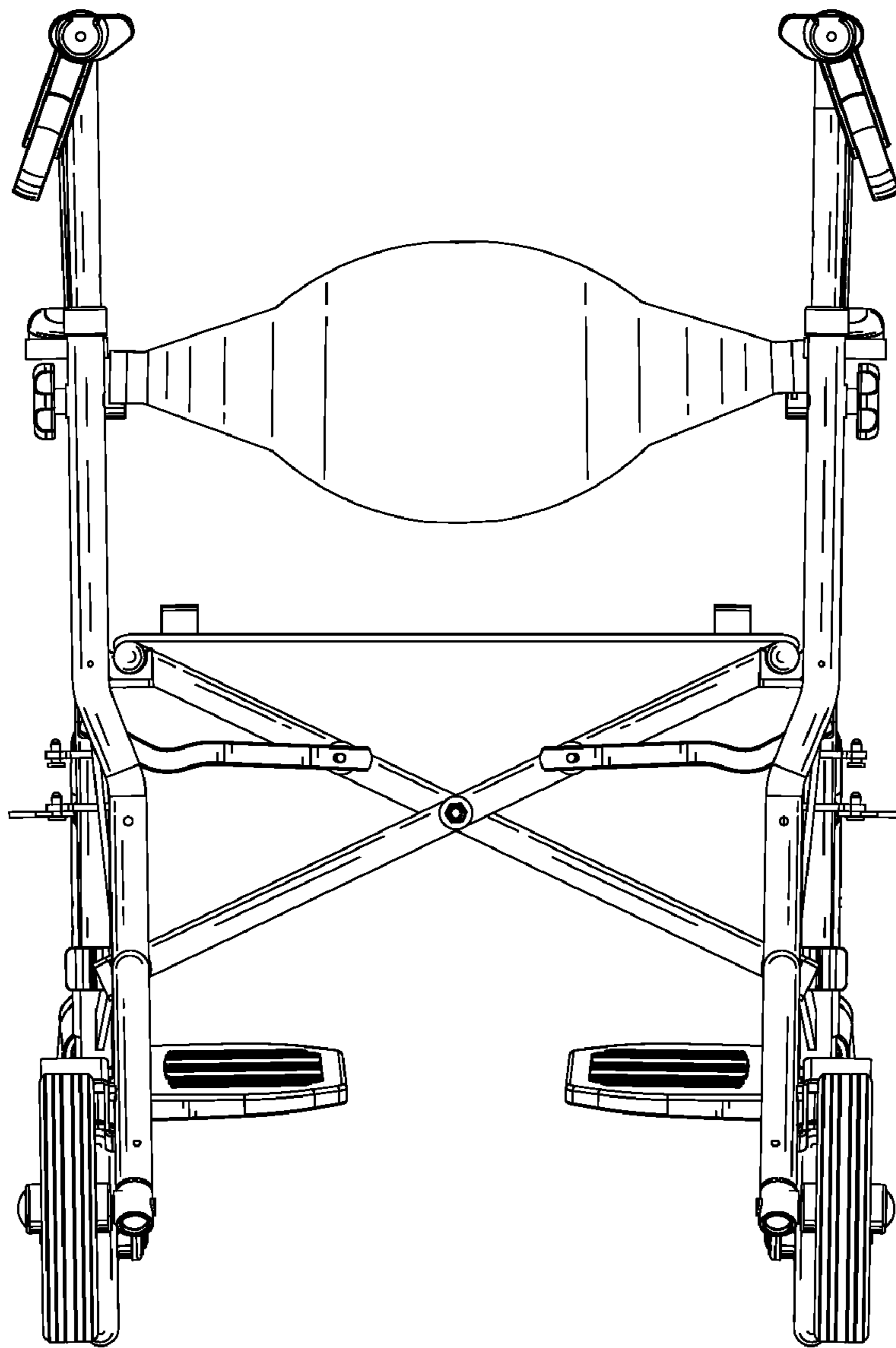


FIG. 3

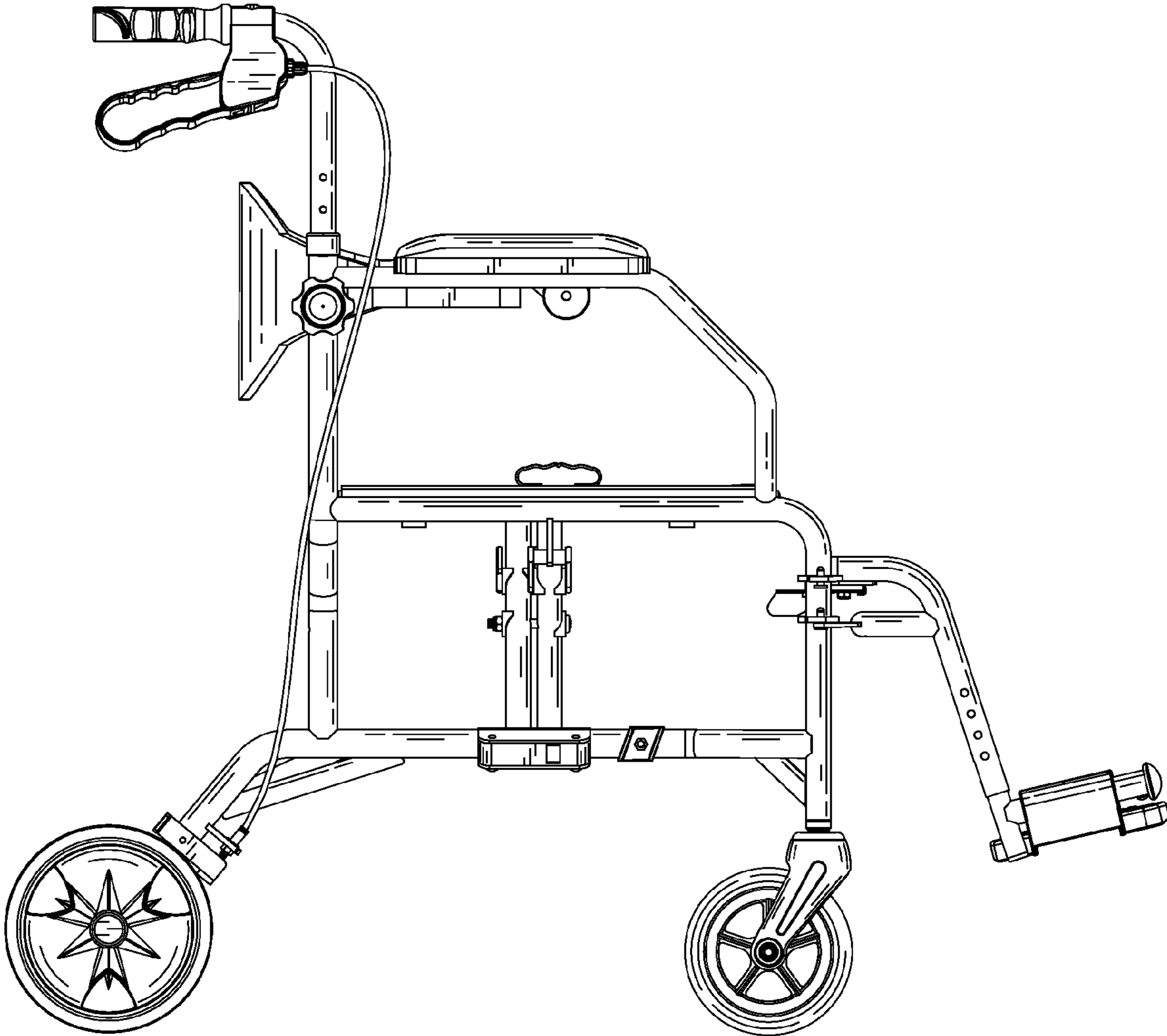


FIG. 4

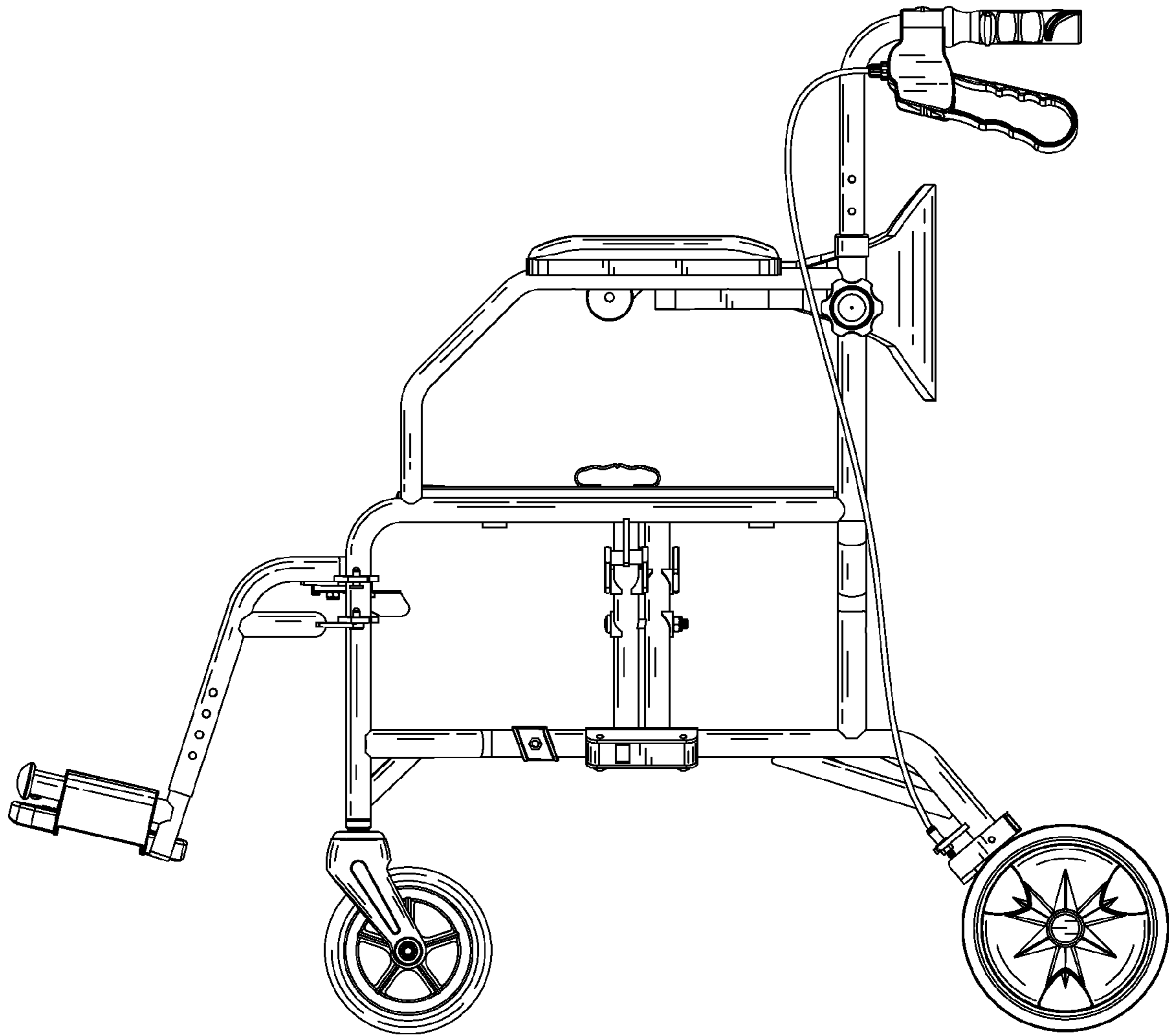


FIG. 5

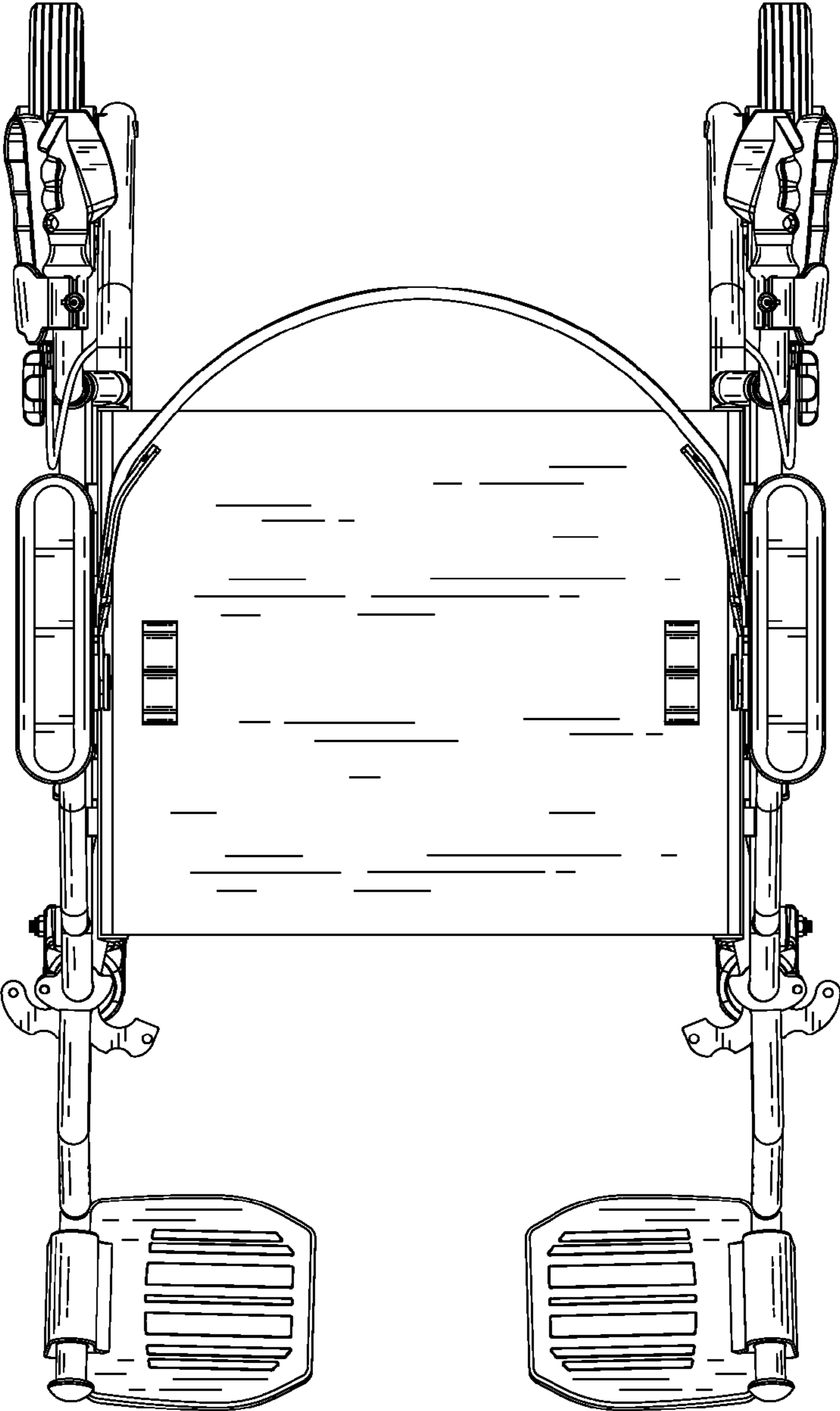


FIG. 6

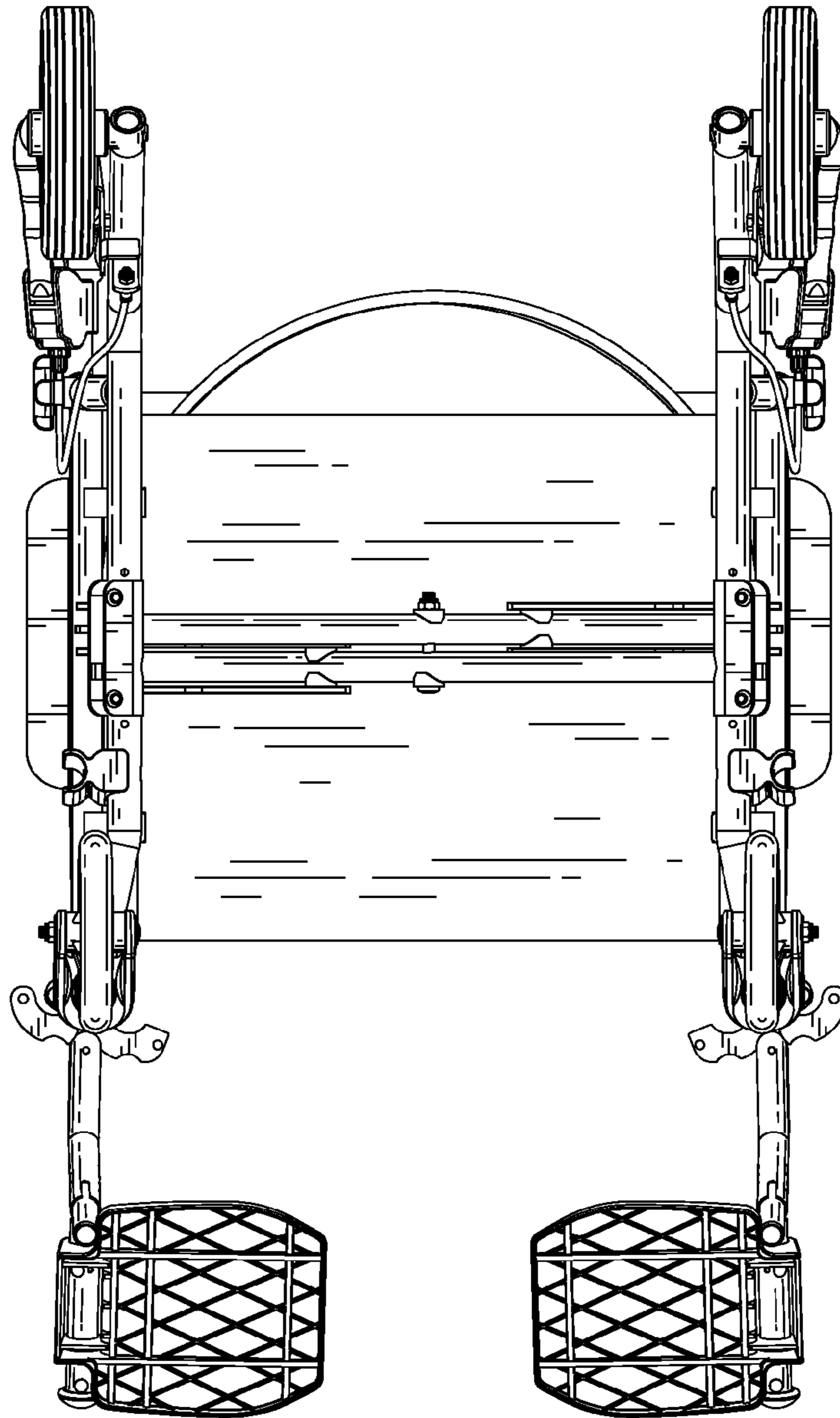


FIG. 7