



US00D623991S

(12) **United States Design Patent**
Nusbaum

(10) **Patent No.:** **US D623,991 S**

(45) **Date of Patent:** **** Sep. 21, 2010**

(54) **BICYCLE PARKING STAND**

(75) Inventor: **Neil Nusbaum**, Los Angeles, CA (US)

(73) Assignee: **Hollywood Engineering, Inc.**, Los Angeles, CA (US)

(**) Term: **14 Years**

(21) Appl. No.: **29/350,120**

(22) Filed: **Nov. 11, 2009**

(51) **LOC (9) Cl.** **12-11**

(52) **U.S. Cl.** **D12/115**

(58) **Field of Classification Search** D12/115,
D12/120; 211/5, 17-22, 181.1, 182; 280/293;
248/176.1, 309.1, 153, 175, 302; D6/462
See application file for complete search history.

(56) **References Cited**

U.S. PATENT DOCUMENTS

3,887,075	A *	6/1975	Harvey	211/5
D301,217	S *	5/1989	Mailhot et al.	D12/115
5,133,461	A *	7/1992	Martinell	211/21
D328,882	S *	8/1992	Martinell	D12/115
D369,576	S *	5/1996	Johnson et al.	D12/115
D401,893	S *	12/1998	Denney	D12/115
6,053,337	A *	4/2000	Venegas, Jr.	211/22
6,257,419	B1 *	7/2001	Kamysiak	211/22
D514,034	S *	1/2006	Richardson	D12/115
D543,906	S *	6/2007	Hoadley et al.	D12/115
D602,403	S *	10/2009	Shaha et al.	D12/115
2006/0266717	A1 *	11/2006	Tsai	211/17

* cited by examiner

Primary Examiner—Susan M. Lee
Assistant Examiner—Linda G. Brooks

(74) *Attorney, Agent, or Firm*—Schwabe, Williamson & Wyatt, P.C.

(57) **CLAIM**

The ornamental design for a bicycle parking stand, as shown and described.

DESCRIPTION

FIG. 1 is a front perspective view of a bicycle parking stand showing the claimed design;

FIG. 2 is a front elevational view thereof;

FIG. 3 is a rear elevational view thereof;

FIG. 4 is a right side elevational view thereof;

FIG. 5 is a left side elevational view thereof;

FIG. 6 is a top elevational view thereof;

FIG. 7 is a bottom elevational view thereof;

FIG. 8 is a front perspective view of a second embodiment of the claimed design;

FIG. 9 is a front elevational view of FIG. 8;

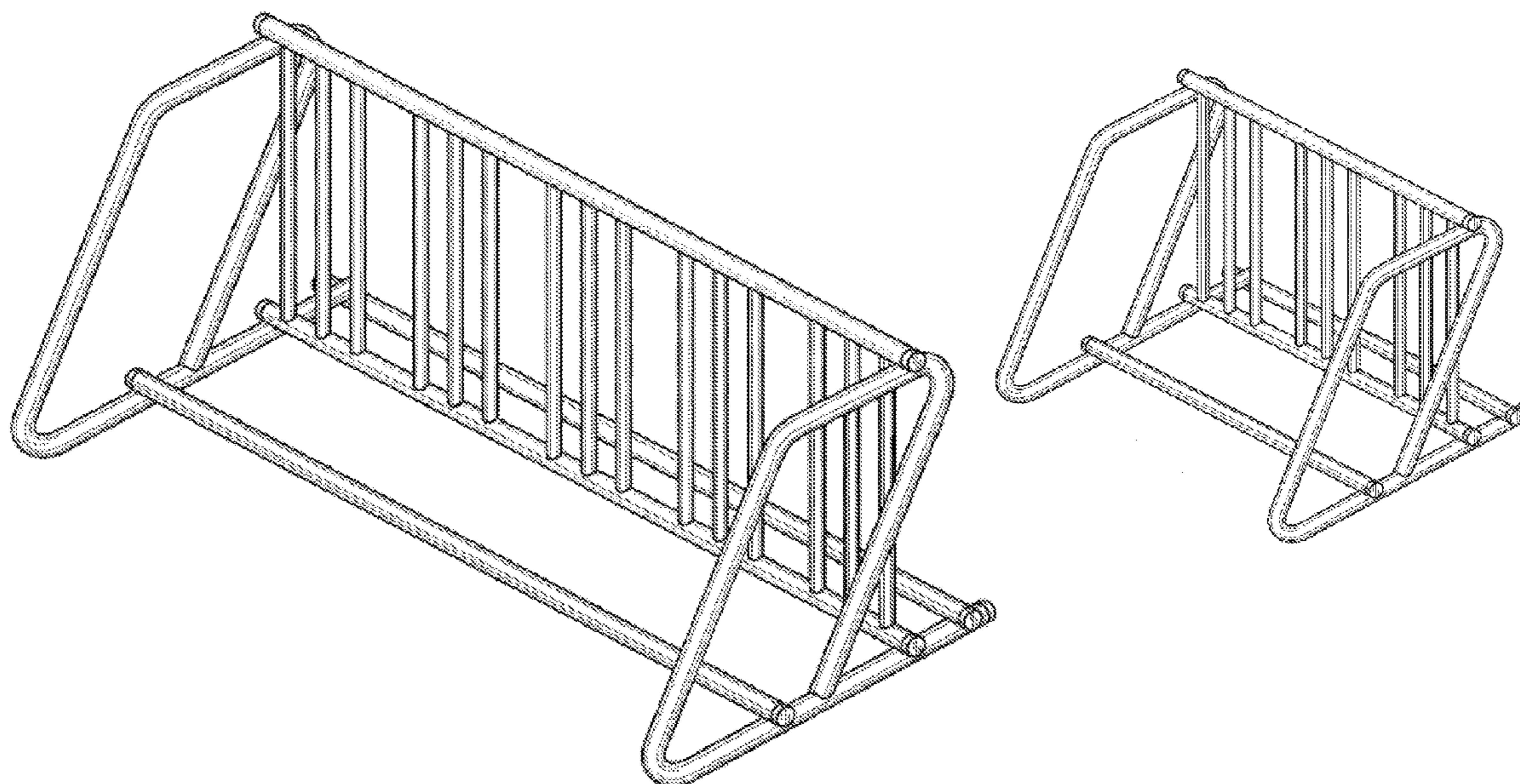
FIG. 10 is a rear elevational view of FIG. 8, wherein corresponding right and left side views are identical to FIGS. 4 and 5, and corresponding top and bottom views are substantially similar to FIGS. 6 and 7.

FIG. 11 is a front perspective view of a third embodiment of the claimed design;

FIG. 12 is a front elevational view of FIG. 11; and,

FIG. 13 is a rear elevational view of FIG. 11, wherein corresponding right and left side views are identical to FIGS. 4 and 5, and corresponding top and bottom views are substantially similar to FIGS. 6 and 7.

1 Claim, 4 Drawing Sheets



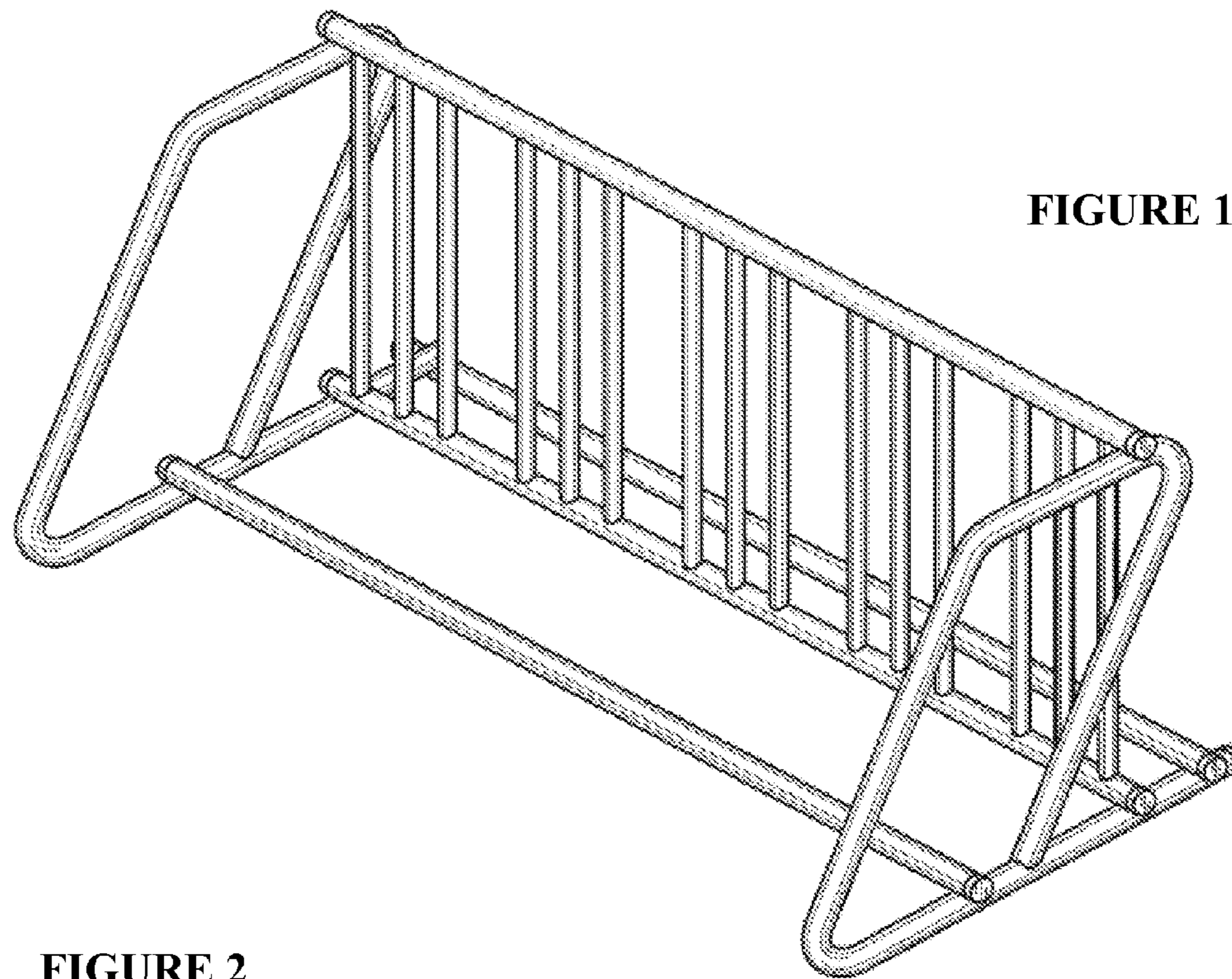


FIGURE 1

FIGURE 2

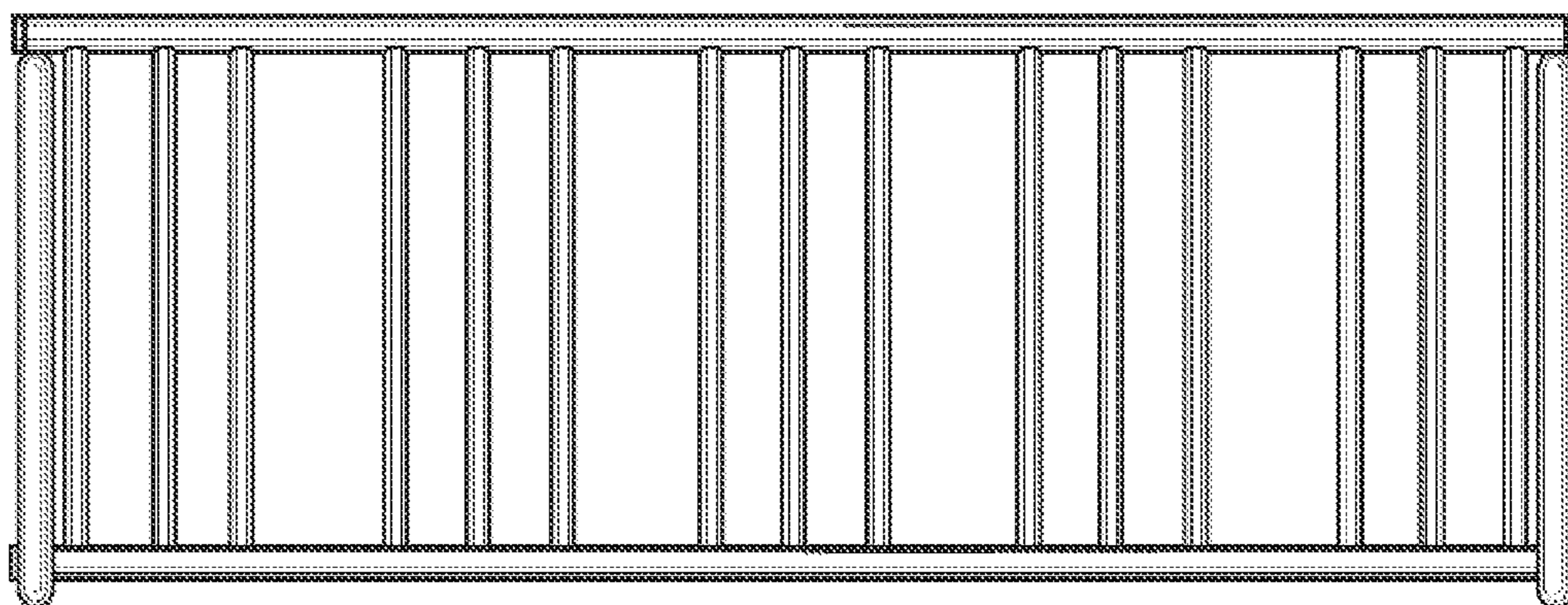


FIGURE 3

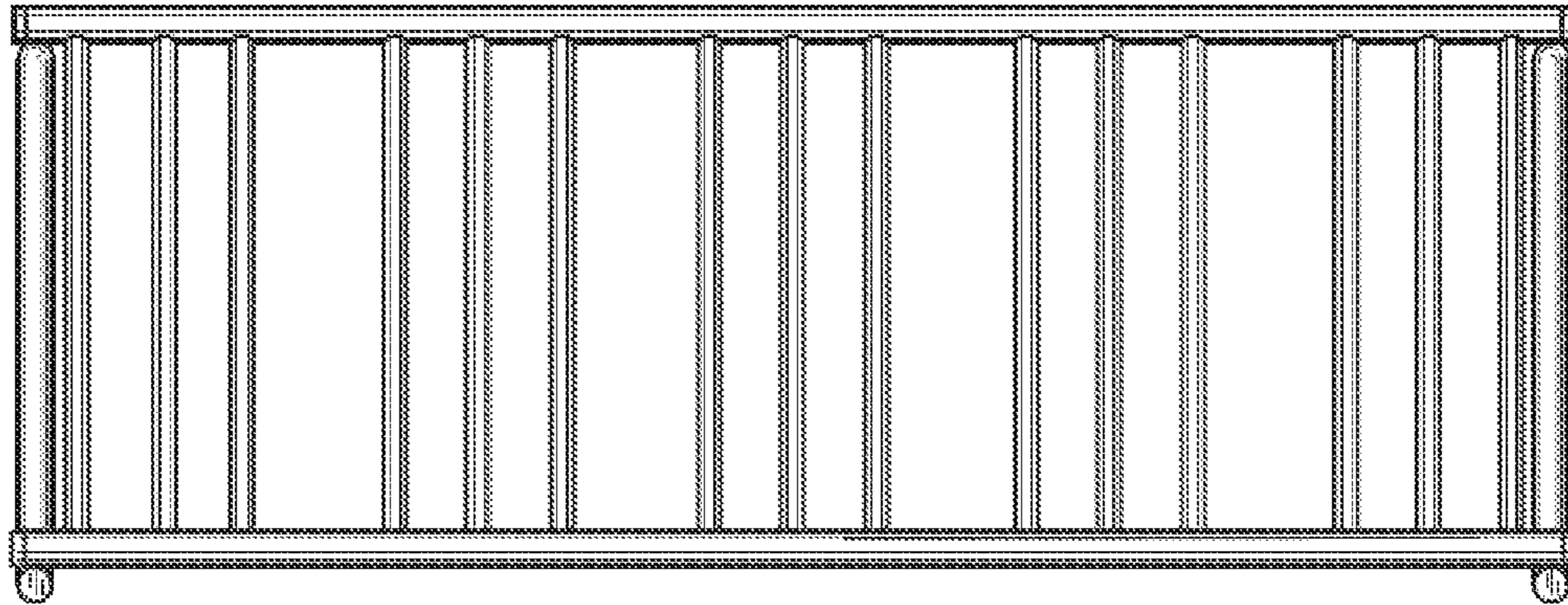


FIGURE 4

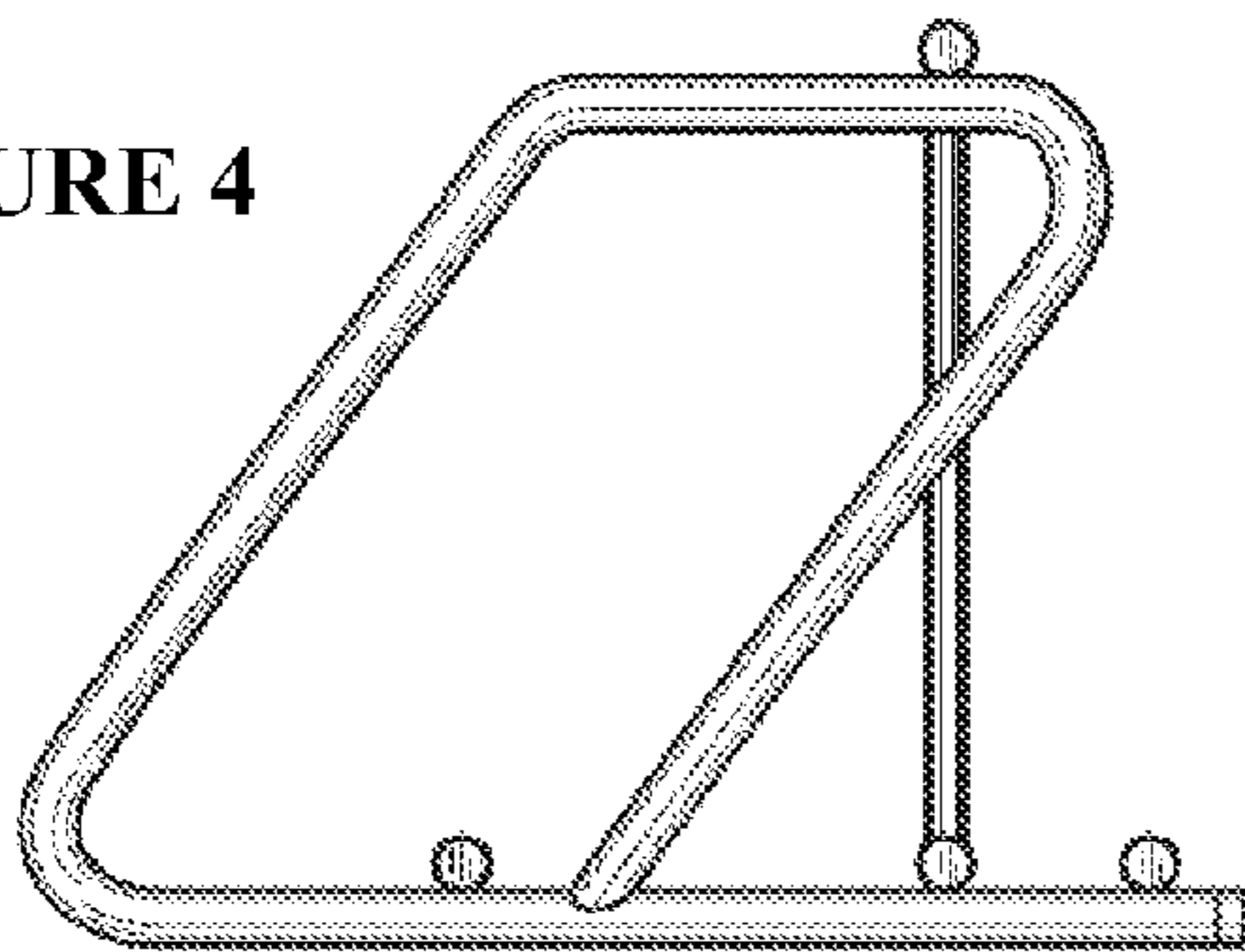


FIGURE 5

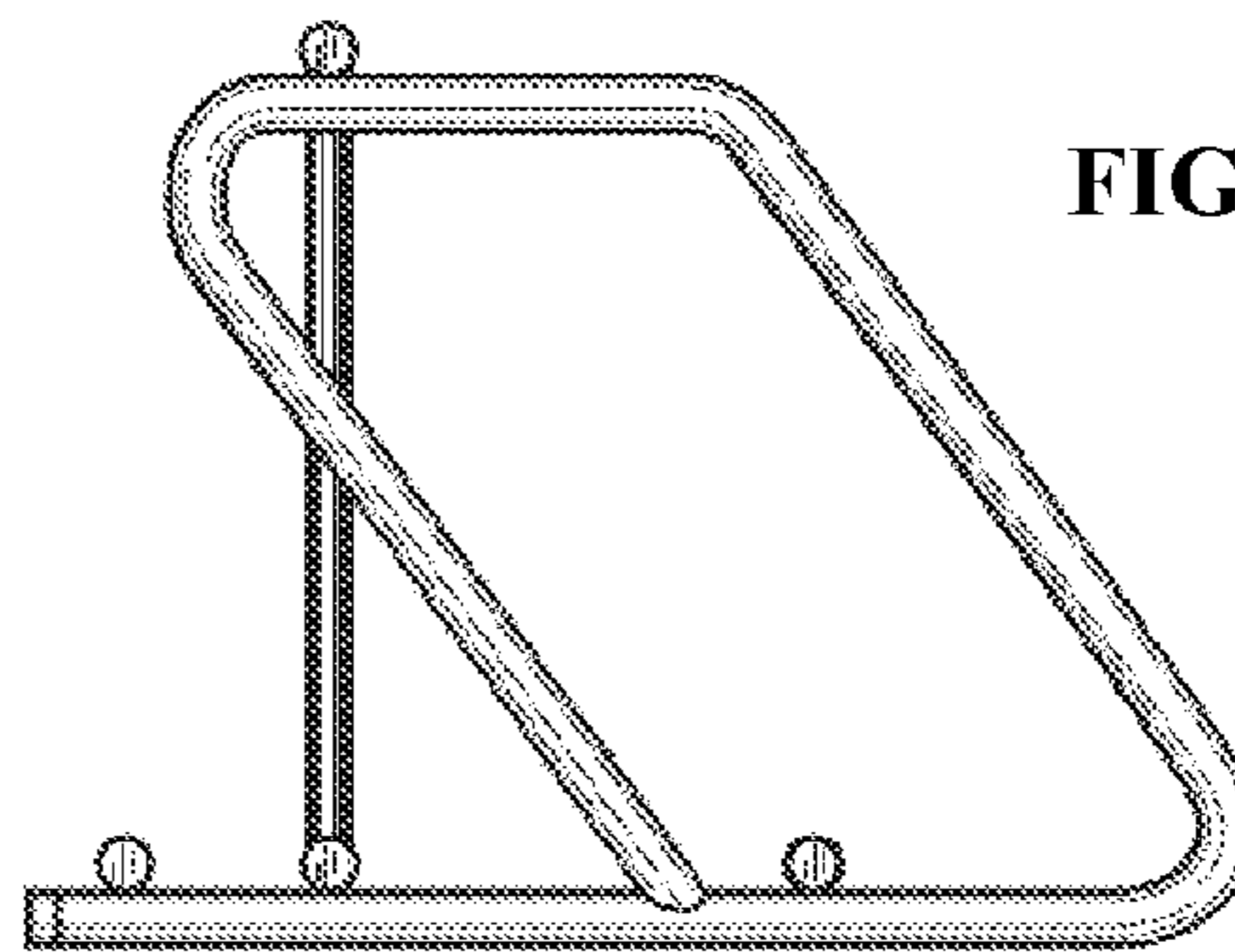
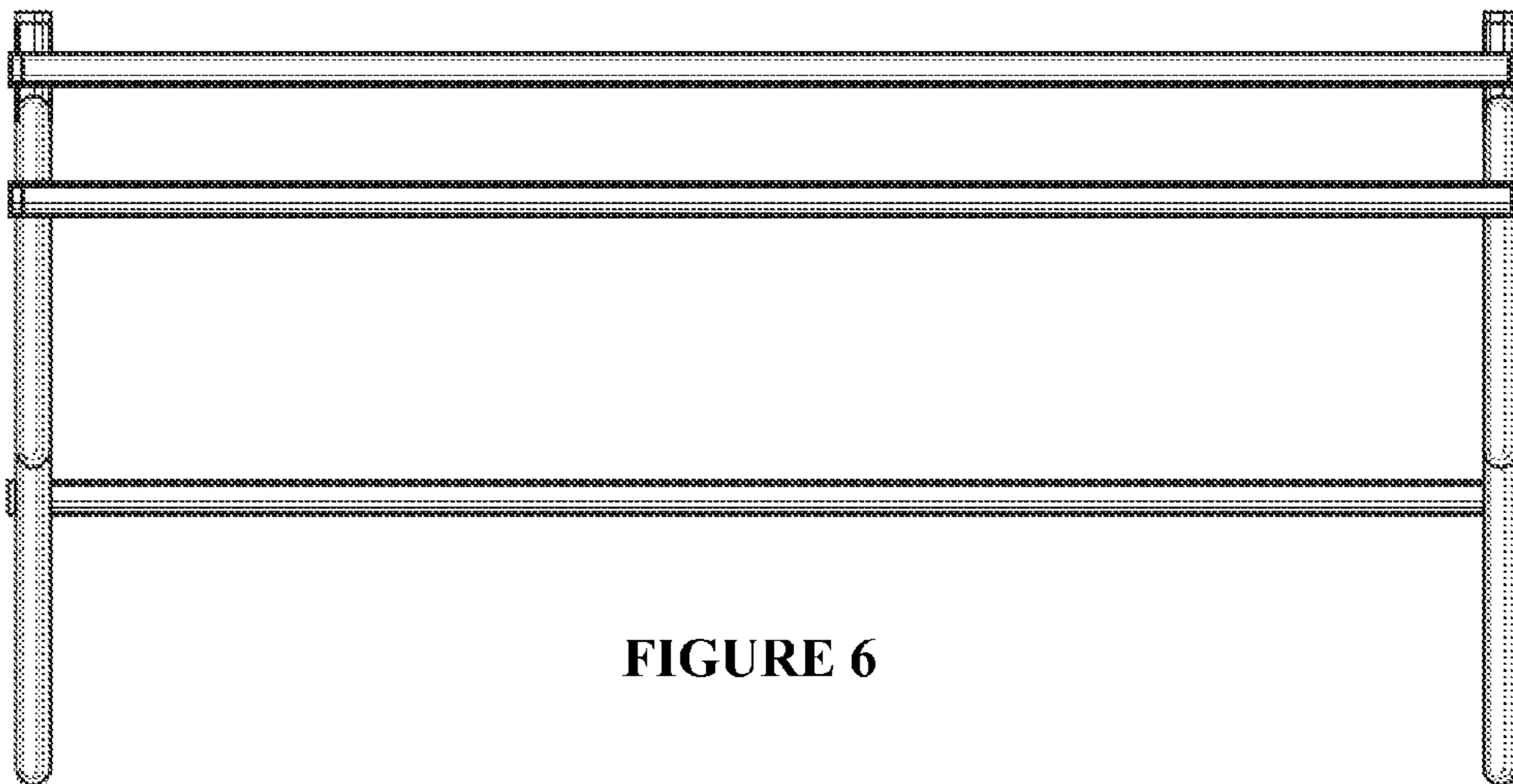


FIGURE 6



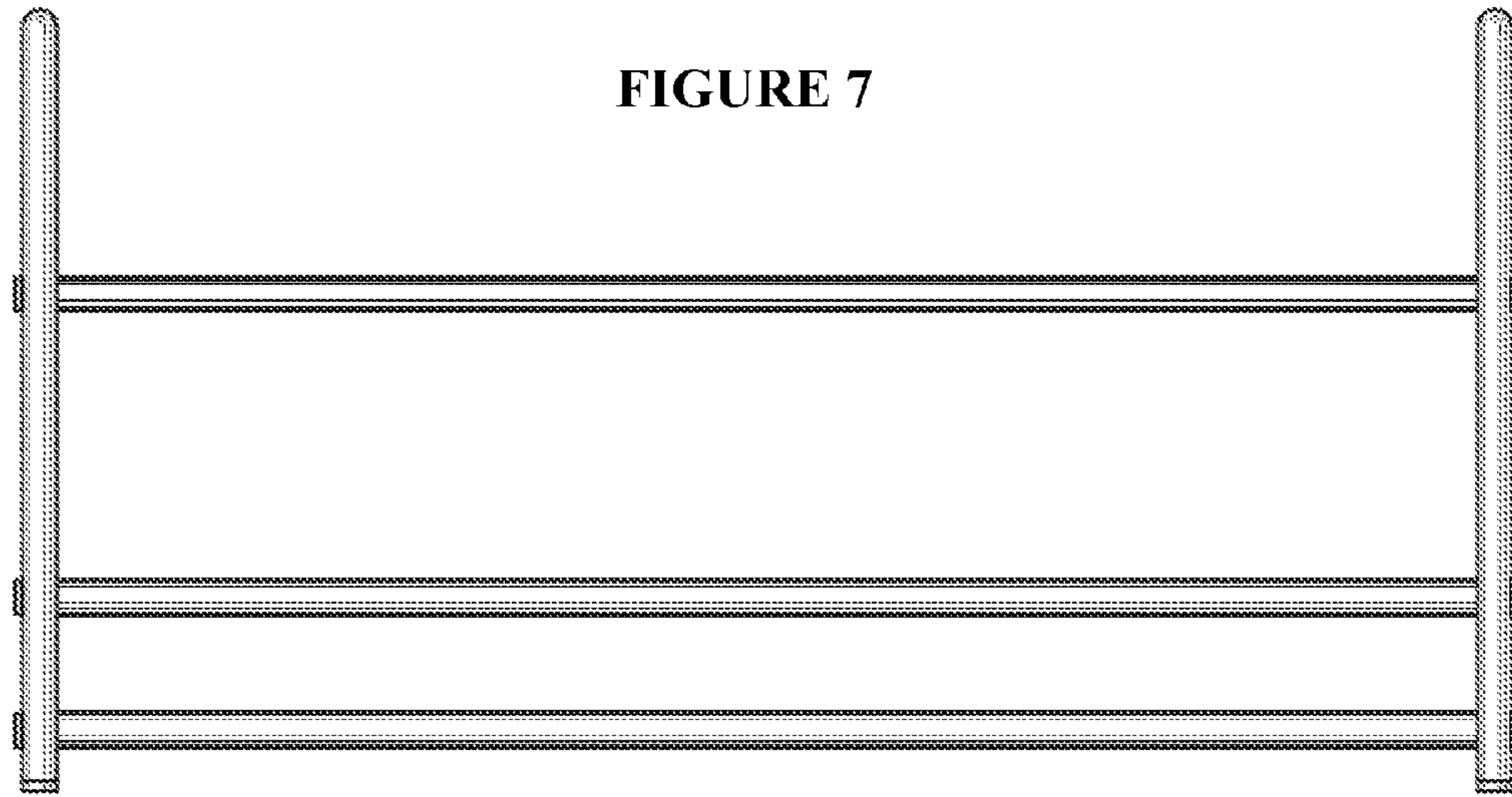


FIGURE 7

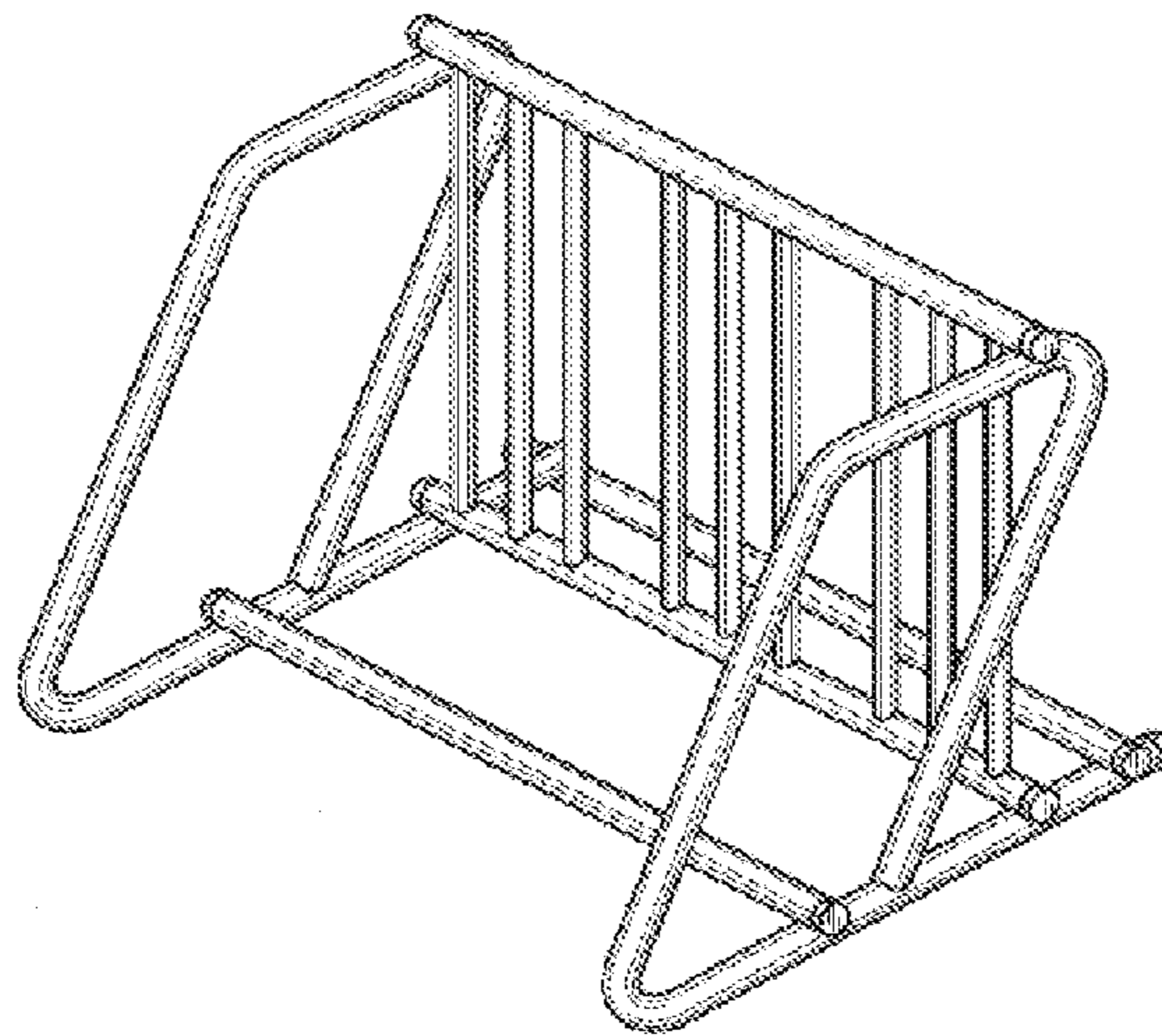


FIGURE 8

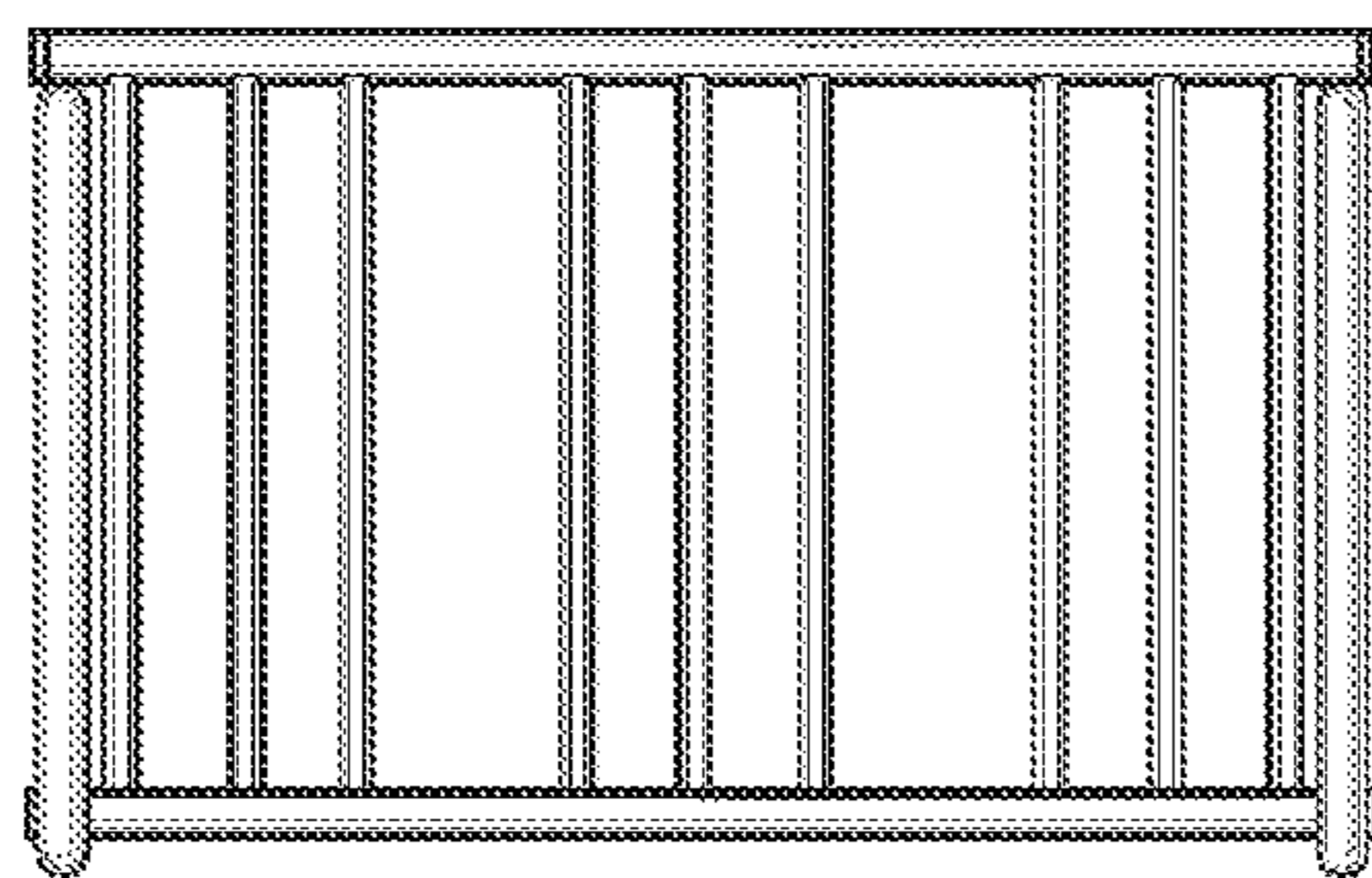


FIGURE 9

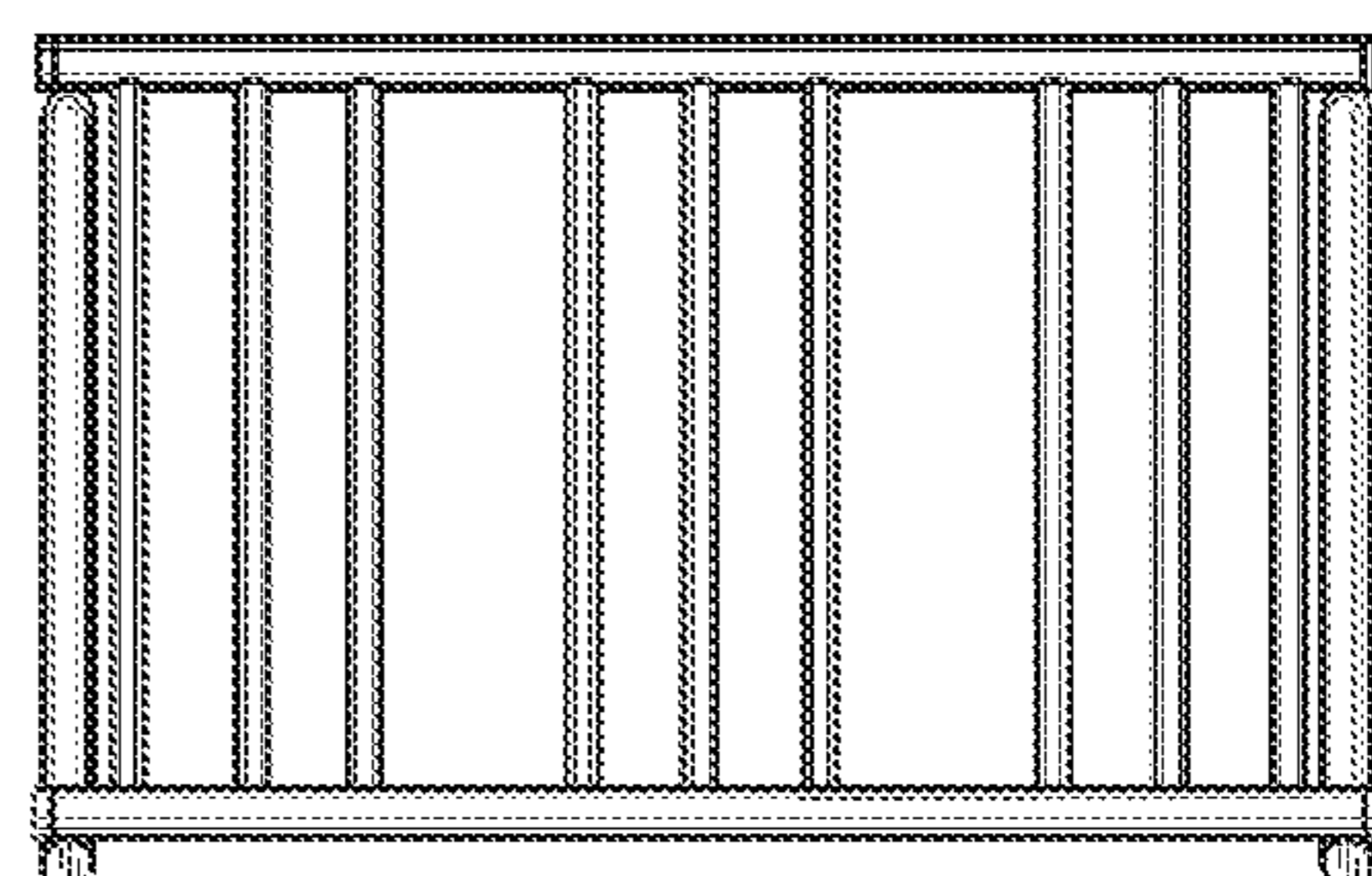


FIGURE 10

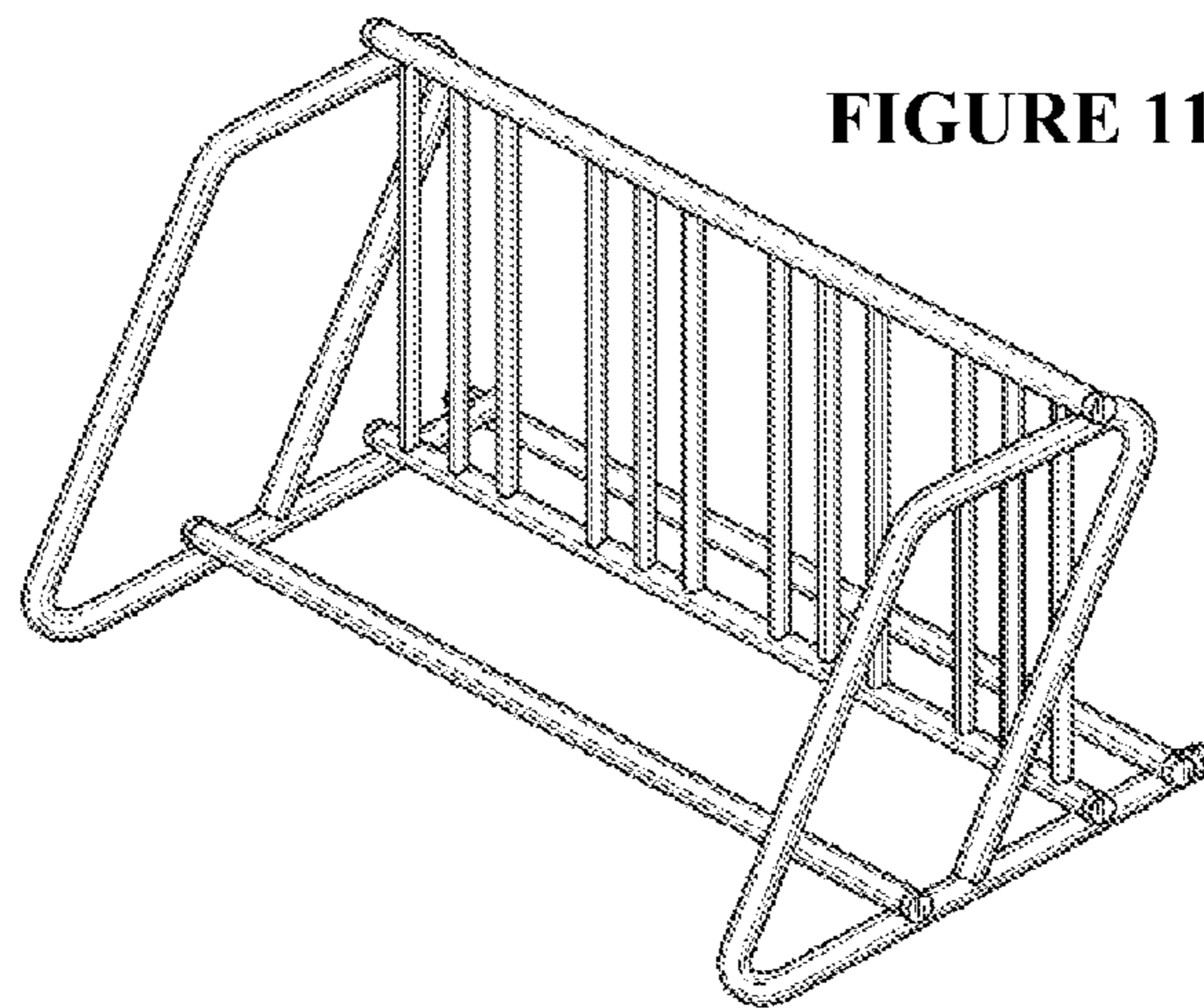


FIGURE 11

FIGURE 12

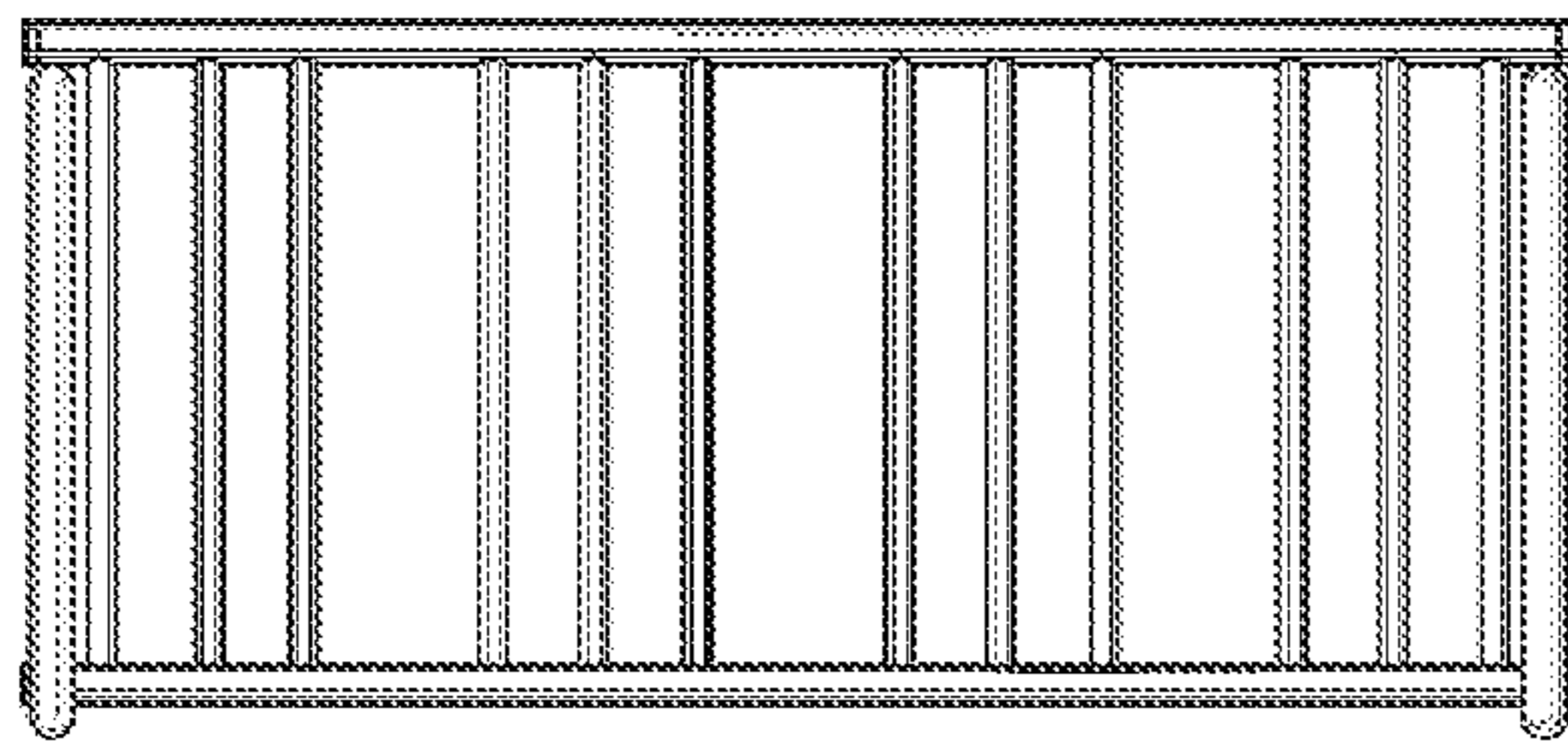


FIGURE 13

