



US00D623990S

(12) **United States Design Patent**
Yumru

(10) **Patent No.:** **US D623,990 S**

(45) **Date of Patent:** **** Sep. 21, 2010**

(54) **EXPANDABLE TRAILER, CONTAINER OR CARAVAN**

(76) **Inventor:** **Cengiz Yumru**, Villa Taylan Apartmani
No: 74/1 Baltalimani Sanyer 34467,
Istanbul (TR)

(**) **Term:** **14 Years**

(21) **Appl. No.:** **29/321,562**

(22) **Filed:** **Jul. 18, 2008**

(51) **LOC (9) Cl.** **12-10**

(52) **U.S. Cl.** **D12/102**

(58) **Field of Classification Search** D12/97,
D12/102, 181; 280/423 R, 423 B, 425 A,
280/400, 2, 789, 790; 296/181, 183, 15
See application file for complete search history.

(56) **References Cited**

U.S. PATENT DOCUMENTS

D163,351	S	*	5/1951	Bartholomew	D12/102
D194,662	S	*	2/1963	Zalewski	D12/102
D292,196	S	*	10/1987	Dooley	D12/97
4,749,221	A	*	6/1988	Scott	296/184.1
4,874,184	A	*	10/1989	Boyer	280/423.1
D318,033	S	*	7/1991	Pelt	D12/95
D328,728	S	*	8/1992	Shea, Sr.	D12/103
D340,887	S	*	11/1993	Kropf	D12/105
D344,473	S	*	2/1994	Romesburg	D12/97
D348,304	S	*	6/1994	Norman et al.	D12/95
5,383,703	A	*	1/1995	Irvine, III	296/24.45
D383,093	S	*	9/1997	Garzancich et al.	D12/102
6,877,440	B1	*	4/2005	Kilian et al.	105/406.1

7,234,761	B1	*	6/2007	Crean	296/180.4
D554,024	S	*	10/2007	Lane	D12/102
D561,063	S	*	2/2008	Hughes et al.	D12/102
D568,793	S	*	5/2008	Oliver et al.	D12/103
D577,315	S	*	9/2008	Parker	D12/102
7,461,888	B2	*	12/2008	Brown	296/186.1
2002/0149230	A1	*	10/2002	Schroeder	296/181
2002/0180238	A1	*	12/2002	Sill	296/181
2003/0107238	A1	*	6/2003	McWilliams	296/181

* cited by examiner

Primary Examiner—Elizabeth A Albert

Assistant Examiner—Kelley A Donnelly

(74) *Attorney, Agent, or Firm*—Egbert Law Offices PLLC

(57) **CLAIM**

The ornamental design for an expandable trailer, container or caravan, as shown and described.

DESCRIPTION

FIG. 1 is an upper perspective view of the expandable trailer, container or caravan showing my design.

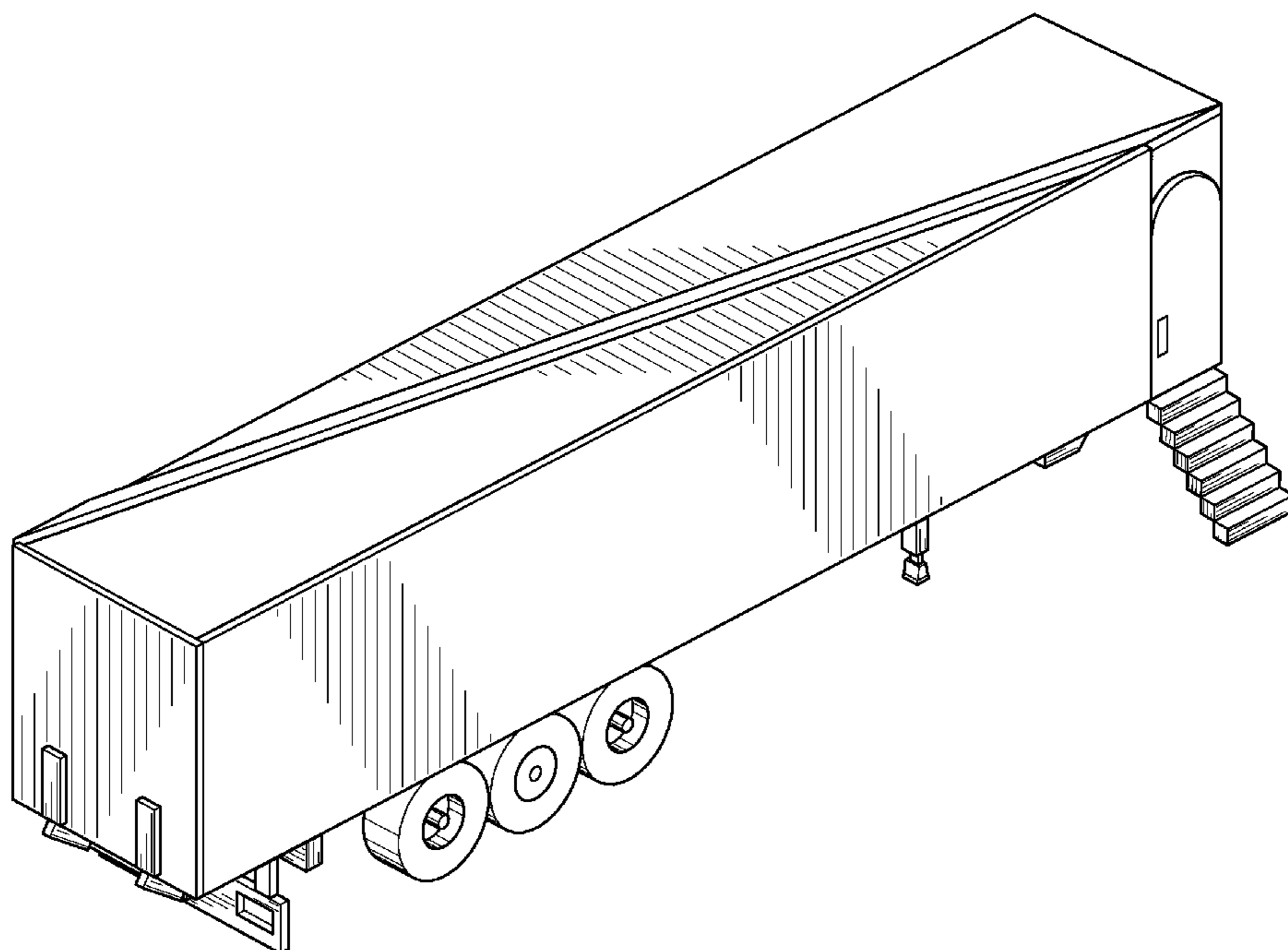
FIG. 2 is a bottom perspective view thereof, showing a partially expanded position;

FIG. 3 is a side perspective view in a partially expanded position of FIG. 2; and,

FIG. 4 is a top perspective view thereof, showing a fully expanded position.

The broken line showing is for illustrating environment only and form no part of the claimed design.

1 Claim, 4 Drawing Sheets



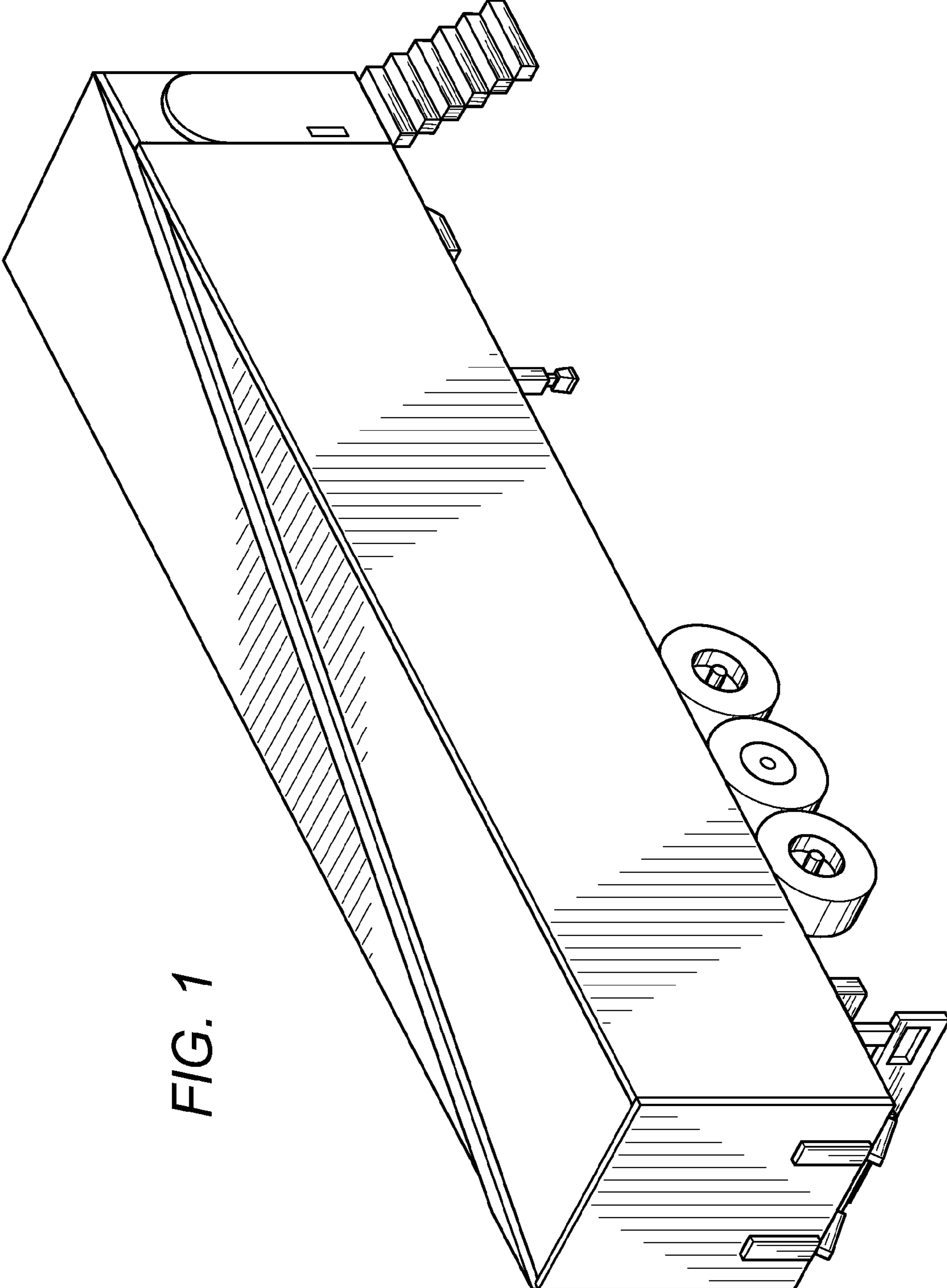


FIG. 1

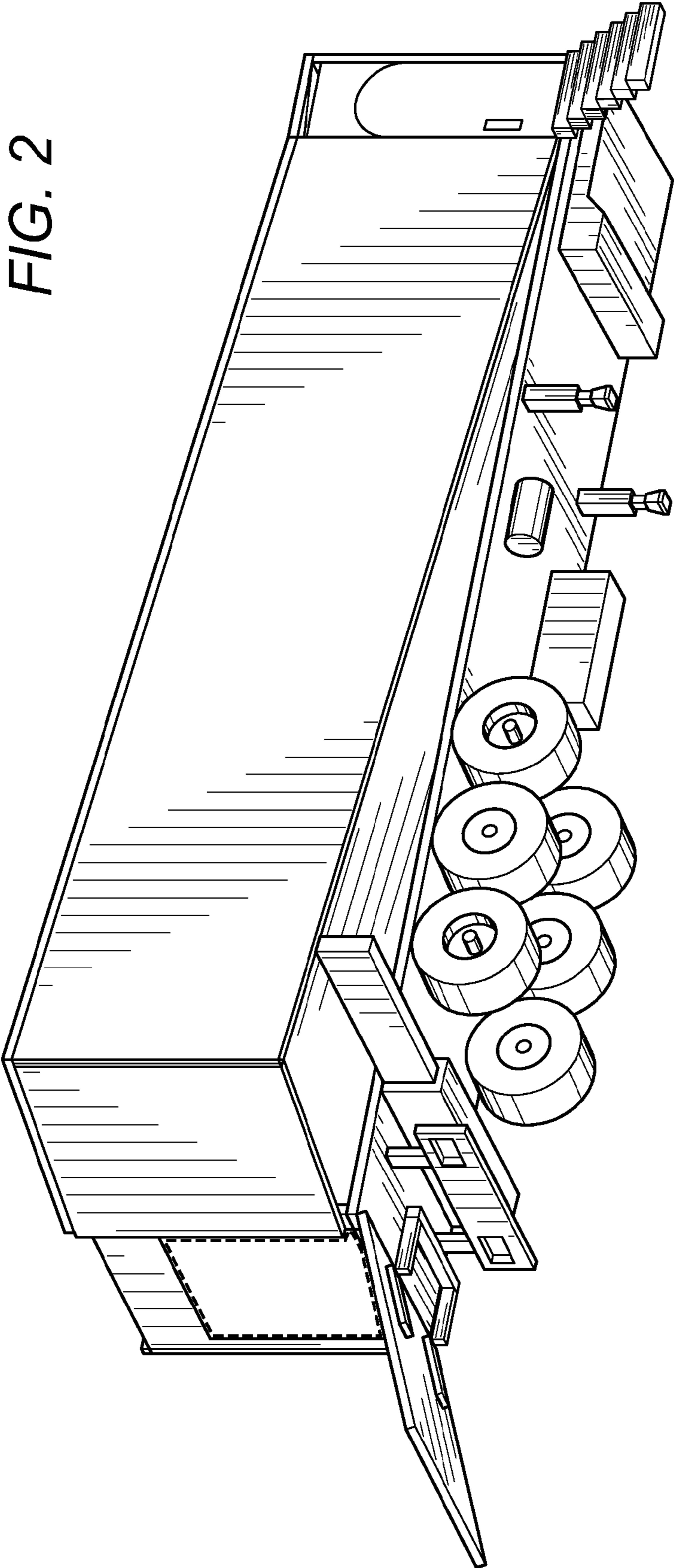
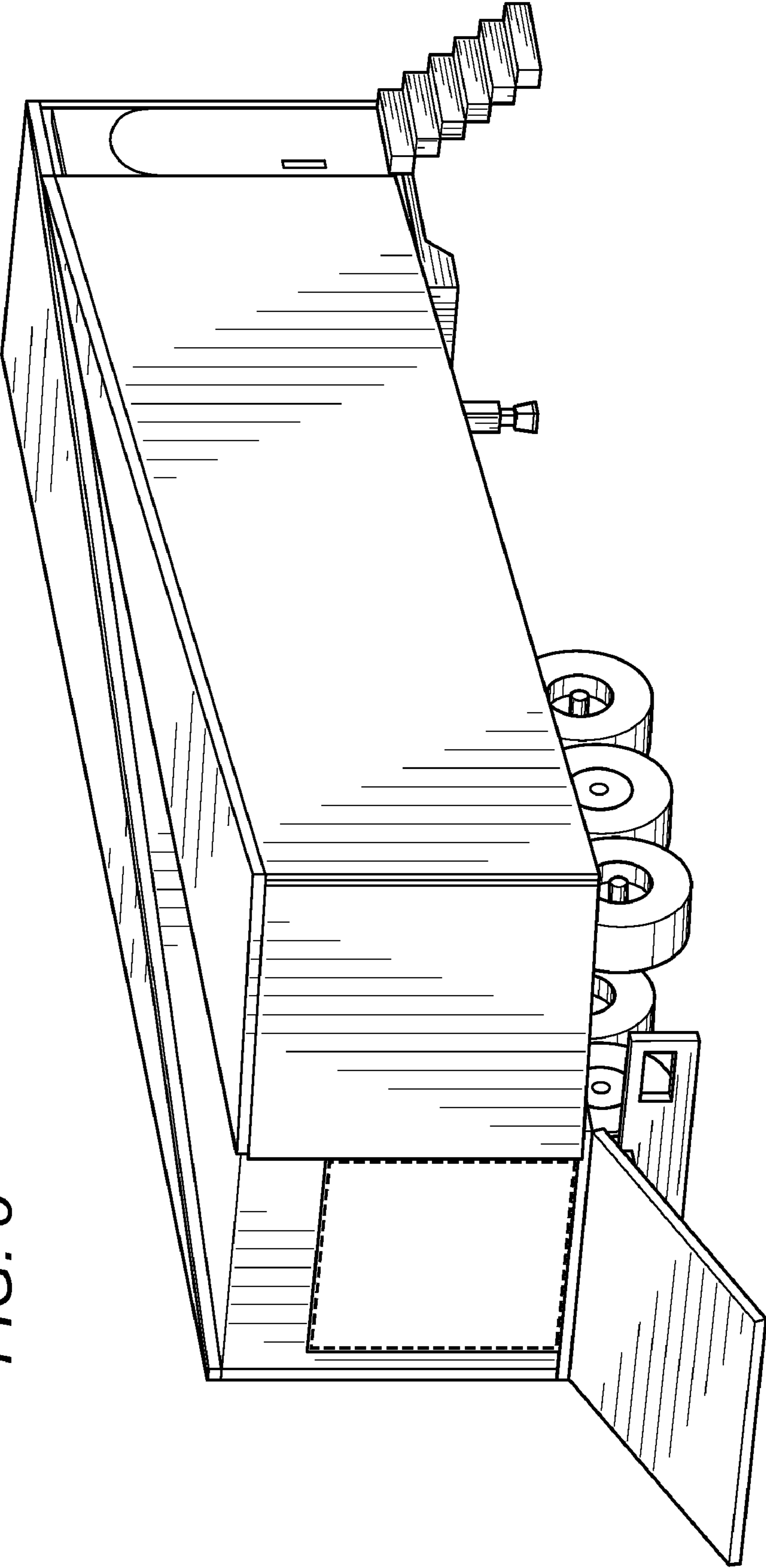


FIG. 2

FIG. 3



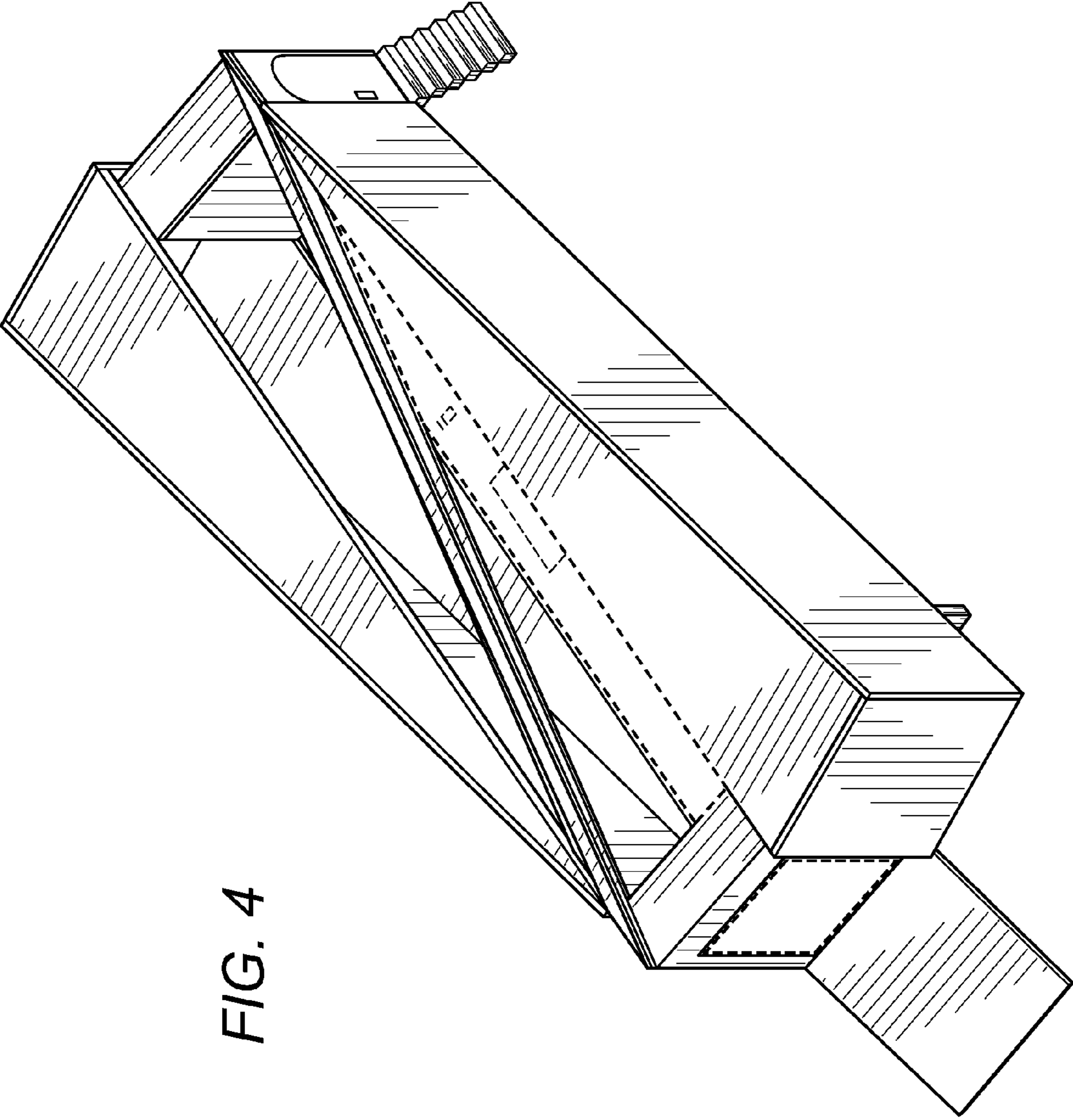


FIG. 4