



US00D623989S

(12) **United States Design Patent**
Turner

(10) **Patent No.:** **US D623,989 S**
(45) **Date of Patent:** **** Sep. 21, 2010**

(54) **VEHICLE, TOY REPLICA AND/OR OTHER REPLICAS**

FOREIGN PATENT DOCUMENTS

EM 000214341-0002 11/2004
WO DM/061823 12/2002

(75) Inventor: **Andreas Thurner**, Scheyern (DE)

OTHER PUBLICATIONS

(73) Assignee: **Bayerische Motoren Werke Aktiengesellschaft**, Munich (DE)

“Rolls-Royce 101EX, Rolls-Royce goes Coupé,” Focus Online Auto, Feb. 28, 2006.

(**) Term: **14 Years**

* cited by examiner

(21) Appl. No.: **29/311,930**

Primary Examiner—Melody N Brown

(22) Filed: **Jul. 31, 2009**

(74) *Attorney, Agent, or Firm*—Crowell & Moring LLP

(30) **Foreign Application Priority Data**

(57) **CLAIM**

Feb. 3, 2009 (DE) 402009000672

The ornamental design for a vehicle, toy replica, and/or other replicas, as shown and described.

(51) **LOC (9) Cl.** **12-08**

DESCRIPTION

(52) **U.S. Cl.** **D12/92**

(58) **Field of Classification Search** D12/86,
D12/90–92; D21/424, 433, 434; 296/181.1,
296/181.5

FIG. 1 is a left, front perspective view of a vehicle, toy replica, and/or other replicas according to my design, the right, front perspective view being mirror symmetrical;

See application file for complete search history.

FIG. 2 is a left, rear perspective view thereof, the right, rear perspective view being mirror symmetrical;

(56) **References Cited**

U.S. PATENT DOCUMENTS

D406,798 S * 3/1999 Sacco et al. D12/92
D410,216 S * 5/1999 Axe et al. D12/92
D446,752 S * 8/2001 Akashi et al. D12/91
D453,713 S * 2/2002 McMahan et al. D12/91
D460,930 S * 7/2002 Fujita D12/92
D473,165 S 4/2003 Djordjevic
D511,483 S 11/2005 Djordjevic
D558,642 S * 1/2008 van Braeckel D12/92

FIG. 3 is a left side view thereof;

FIG. 4 is a right side view thereof;

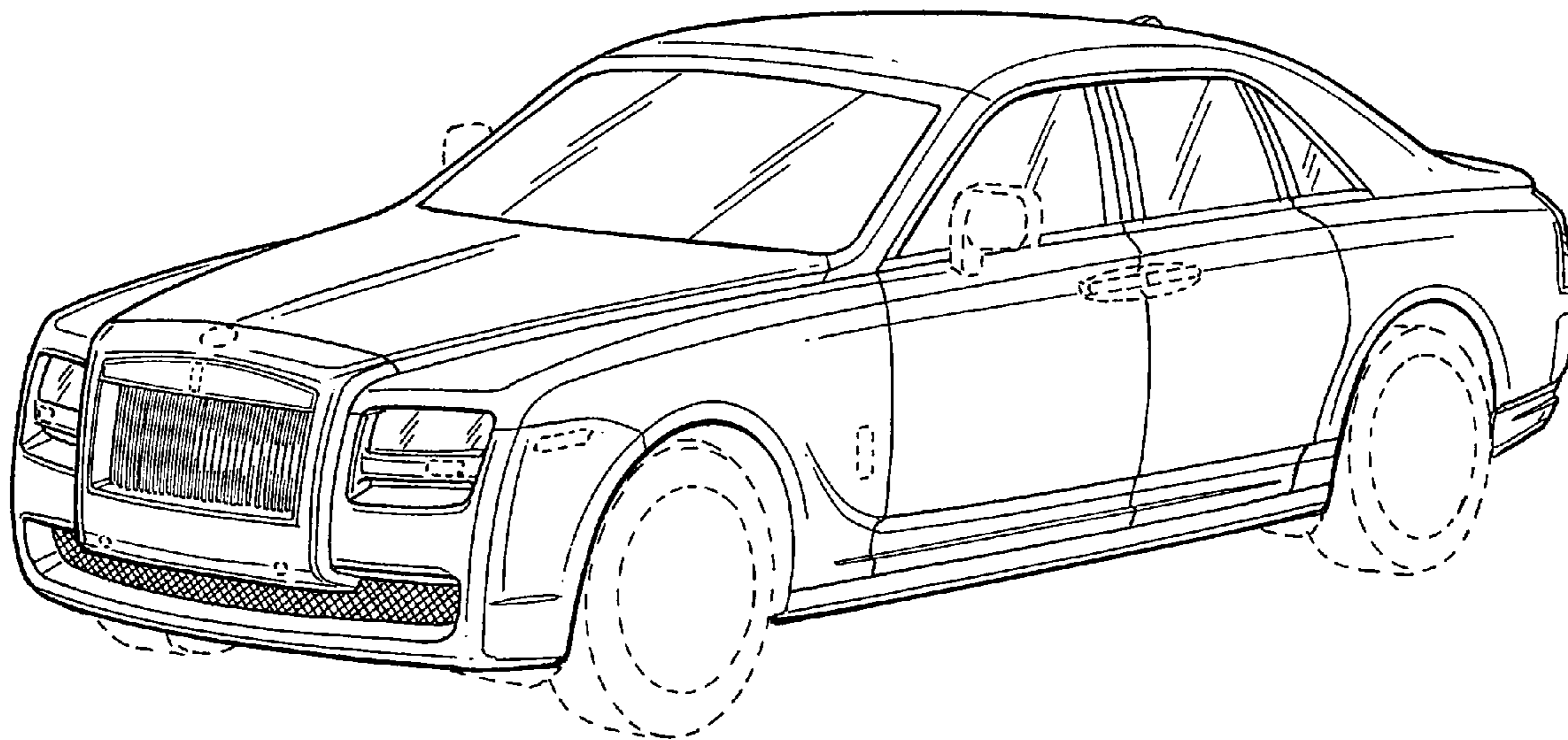
FIG. 5 is a front view thereof;

FIG. 6 is a rear view thereof; and,

FIG. 7 is a top view thereof.

The broken lines are for illustrative purposes only and form no part of the claimed design.

1 Claim, 6 Drawing Sheets



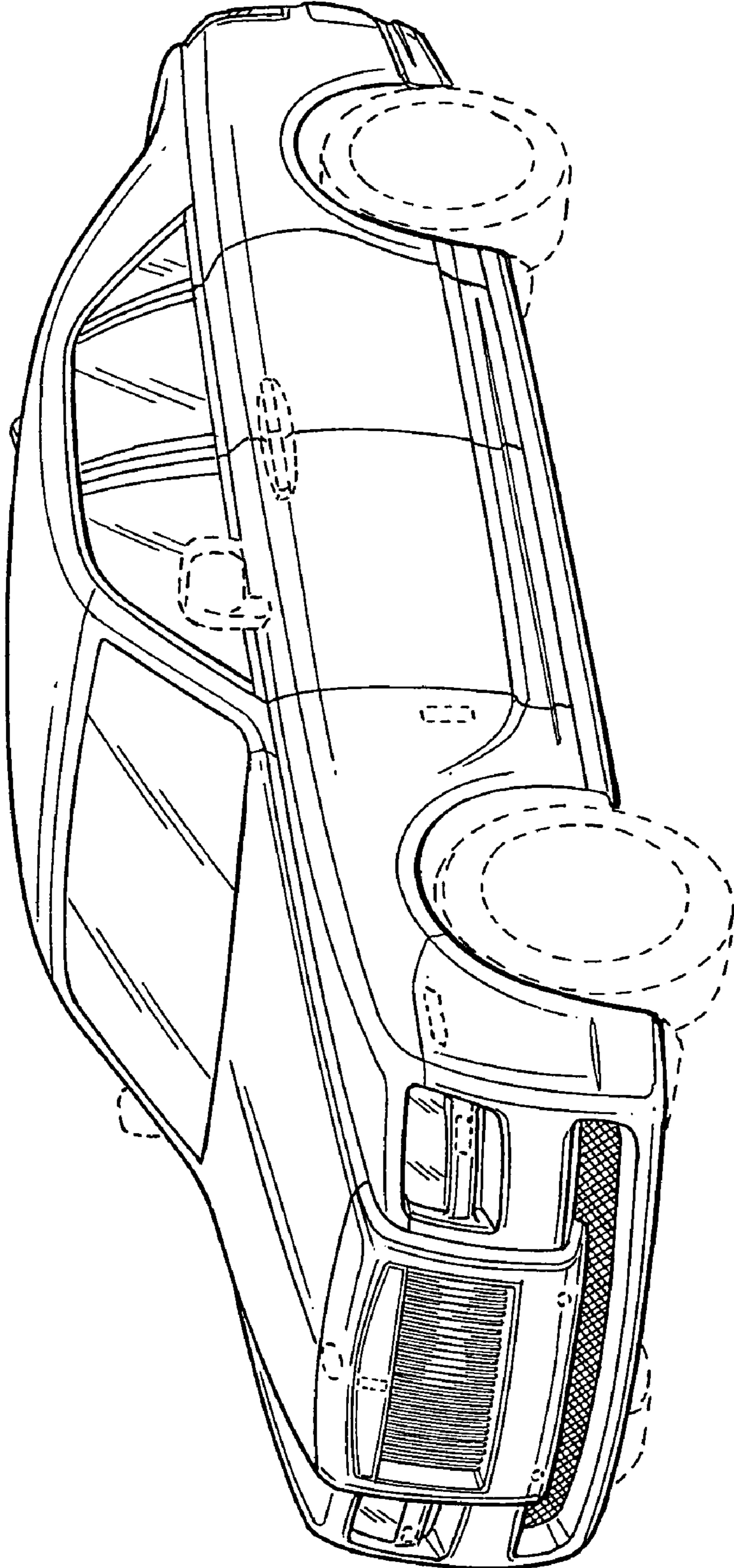


FIG. 1

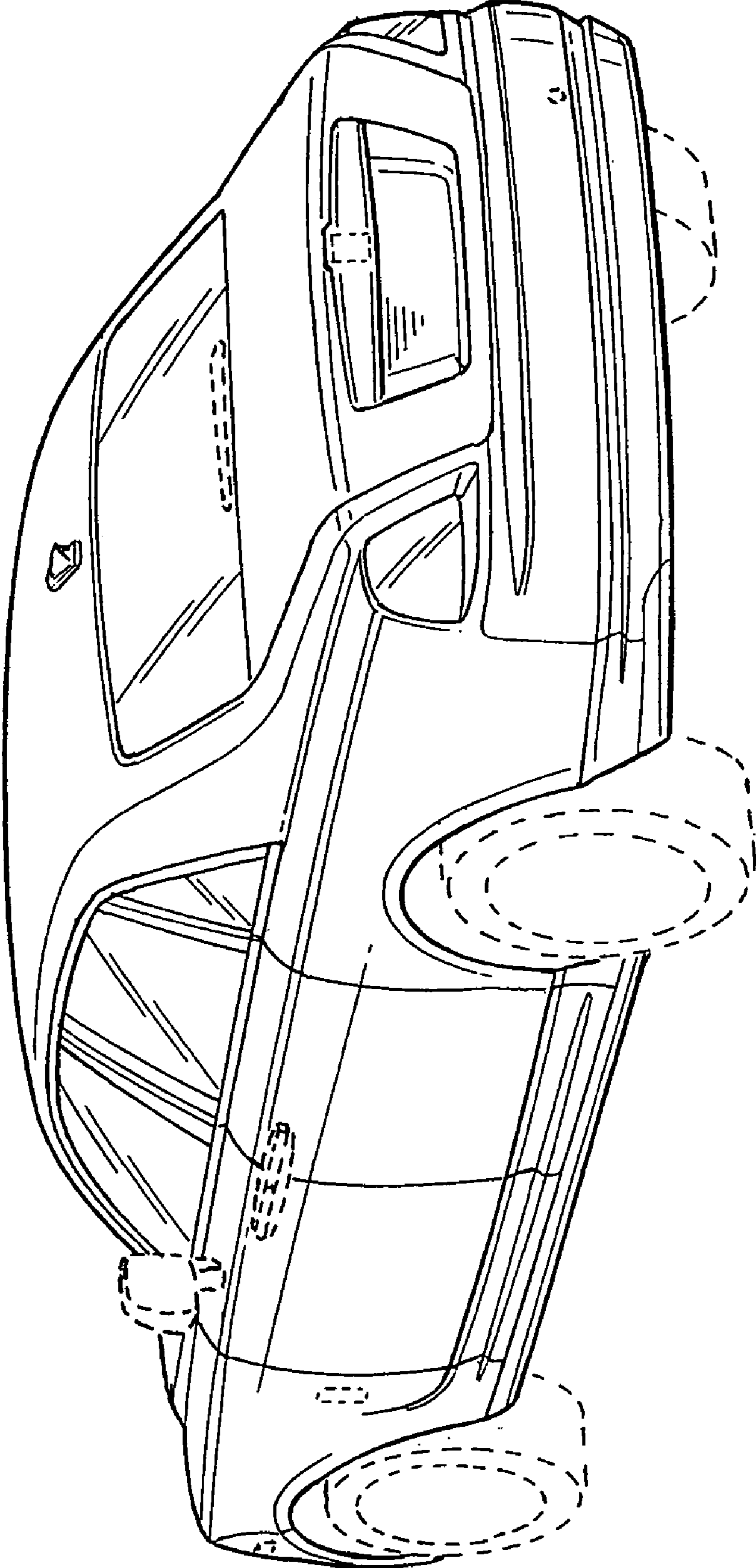


FIG. 2

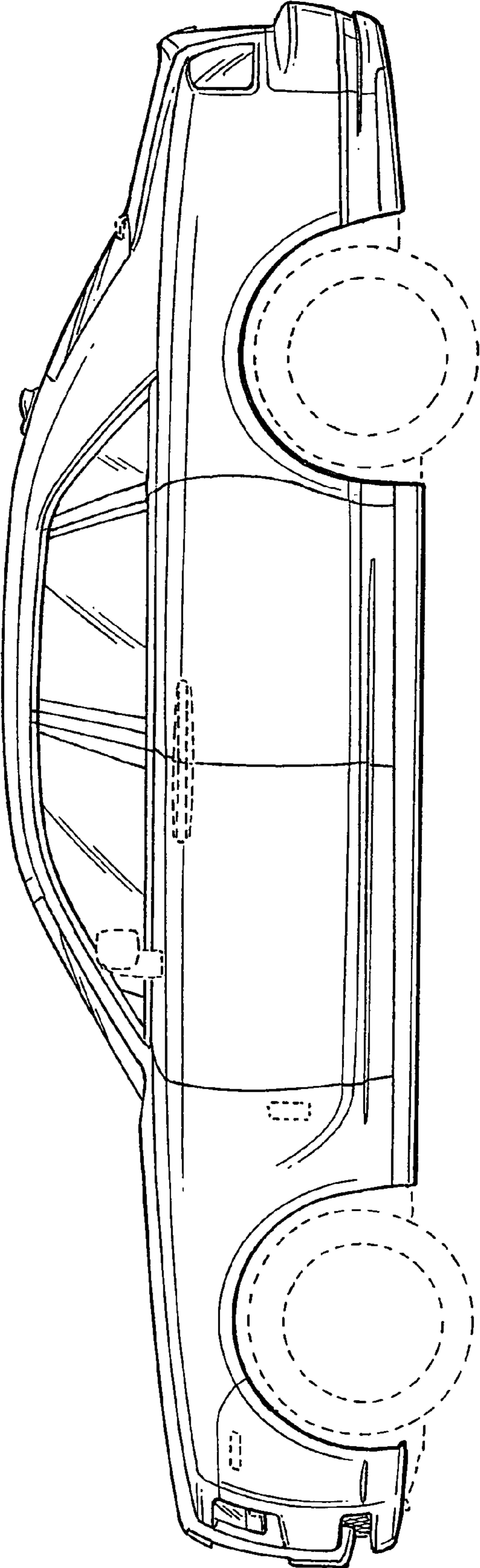


FIG. 3

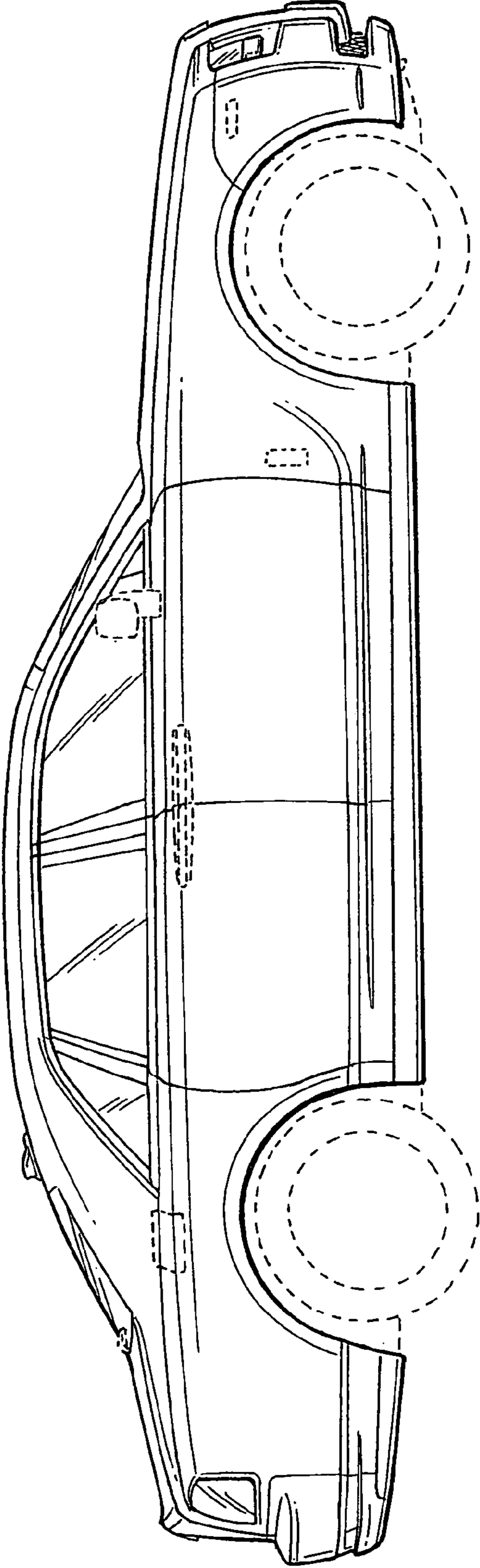


FIG. 4

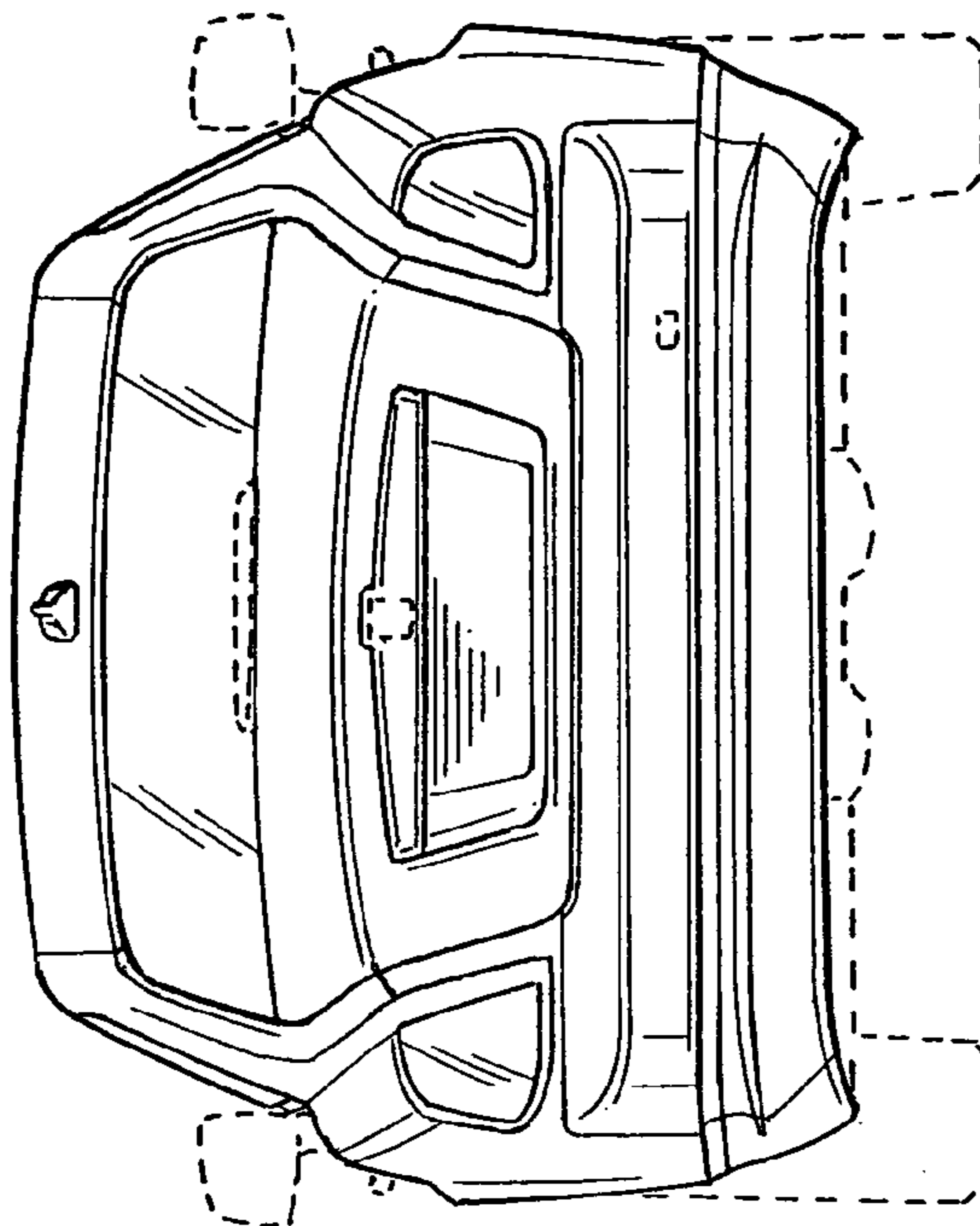


FIG. 5

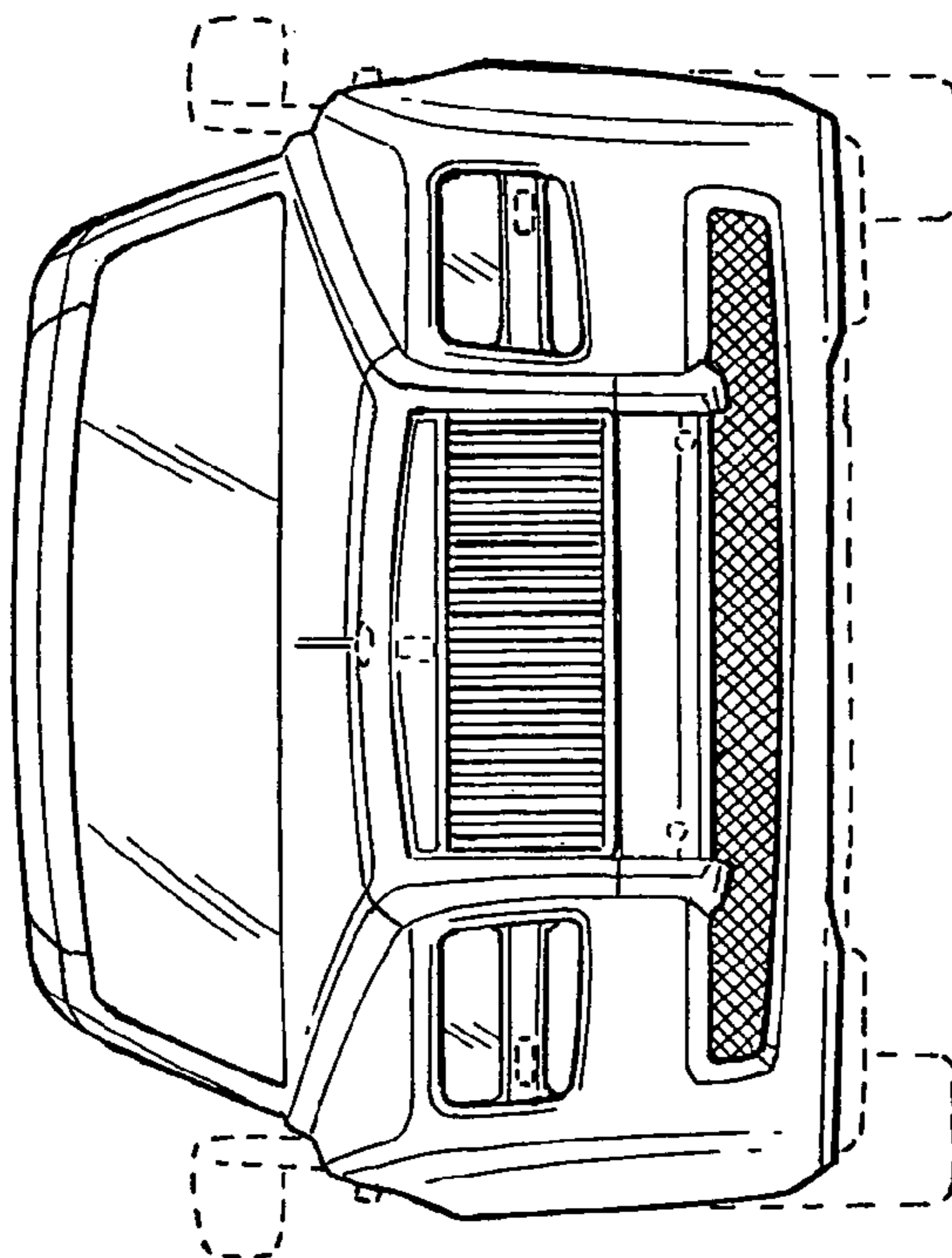


FIG. 6

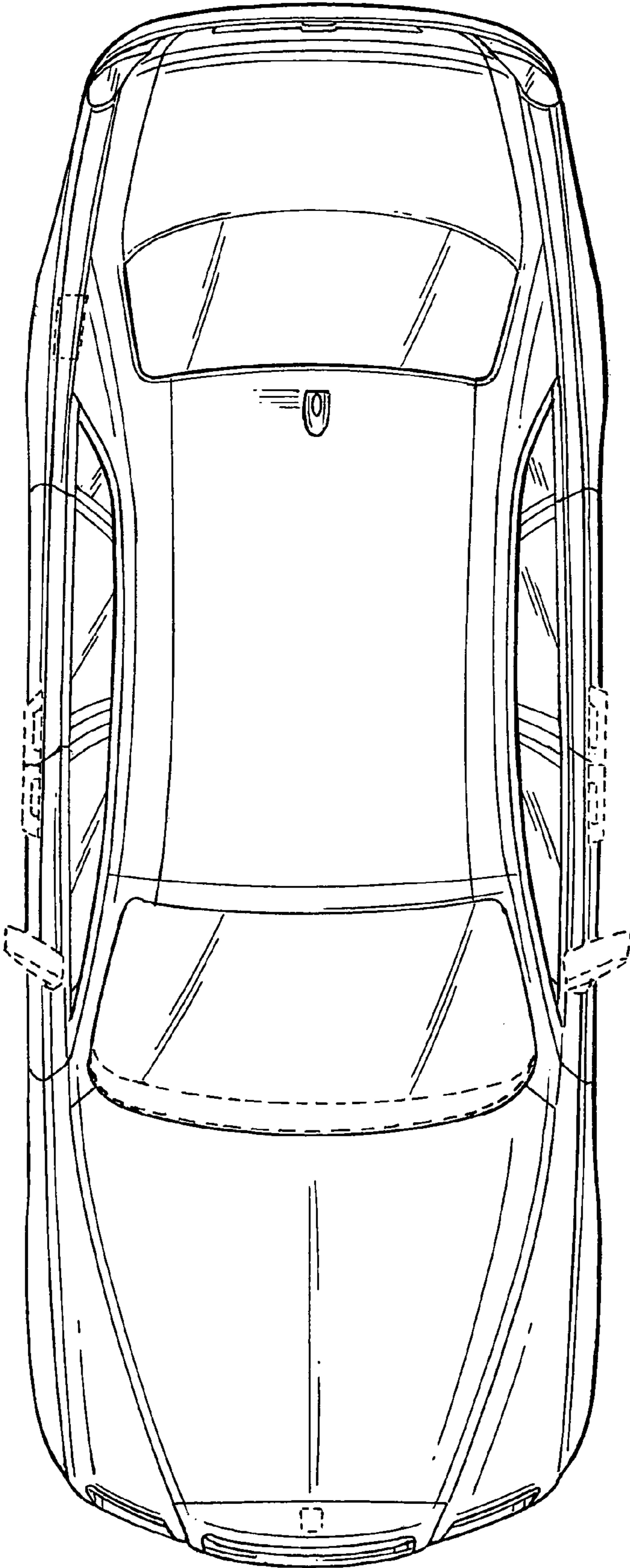


FIG. 7