



US00D623986S

(12) **United States Design Patent**  
**Krakoff**

(10) **Patent No.:** **US D623,986 S**

(45) **Date of Patent:** **\*\* Sep. 21, 2010**

(54) **BUCKLE**

D360,168 S \* 7/1995 Kelleghan ..... D11/216

(75) Inventor: **Reed Krakoff**, New York, NY (US)

\* cited by examiner

(73) Assignee: **Reed Krakoff LLC**, New York, NY (US)

*Primary Examiner*—Ralf Seifert

(74) *Attorney, Agent, or Firm*—Cooper & Dunham LLP

(\*\*) Term: **14 Years**

(57) **CLAIM**

(21) Appl. No.: **29/355,867**

I claim an ornamental design for a buckle, as shown and described.

(22) Filed: **Feb. 16, 2010**

**DESCRIPTION**

(51) **LOC (9) Cl.** ..... **02-07**

FIG. 1 is a front elevational view of the claimed design.

(52) **U.S. Cl.** ..... **D11/200**

FIG. 2 is a top view of the claimed design.

(58) **Field of Classification Search** ..... D11/200–202,  
D11/208, 210–219, 231, 234, 209; 24/163 R,  
24/169–171, 173, 177–179, 191, 194–195,  
24/197, 200

FIG. 3 is a left side elevational view of the claimed design.

FIG. 4 is a right side elevational view of the claimed design.

FIG. 5 is a rear elevational view of the claimed design; and,

FIG. 6 is a bottom view of the claimed design.

See application file for complete search history.

The broken line showing of elements in FIGS. 2-6 is included for the purpose of illustrating environmental matter and forms no part of the claimed design.

(56) **References Cited**

**U.S. PATENT DOCUMENTS**

D278,762 S \* 5/1985 Texidor ..... D11/231  
D287,187 S \* 12/1986 Olson ..... D11/218

**1 Claim, 3 Drawing Sheets**

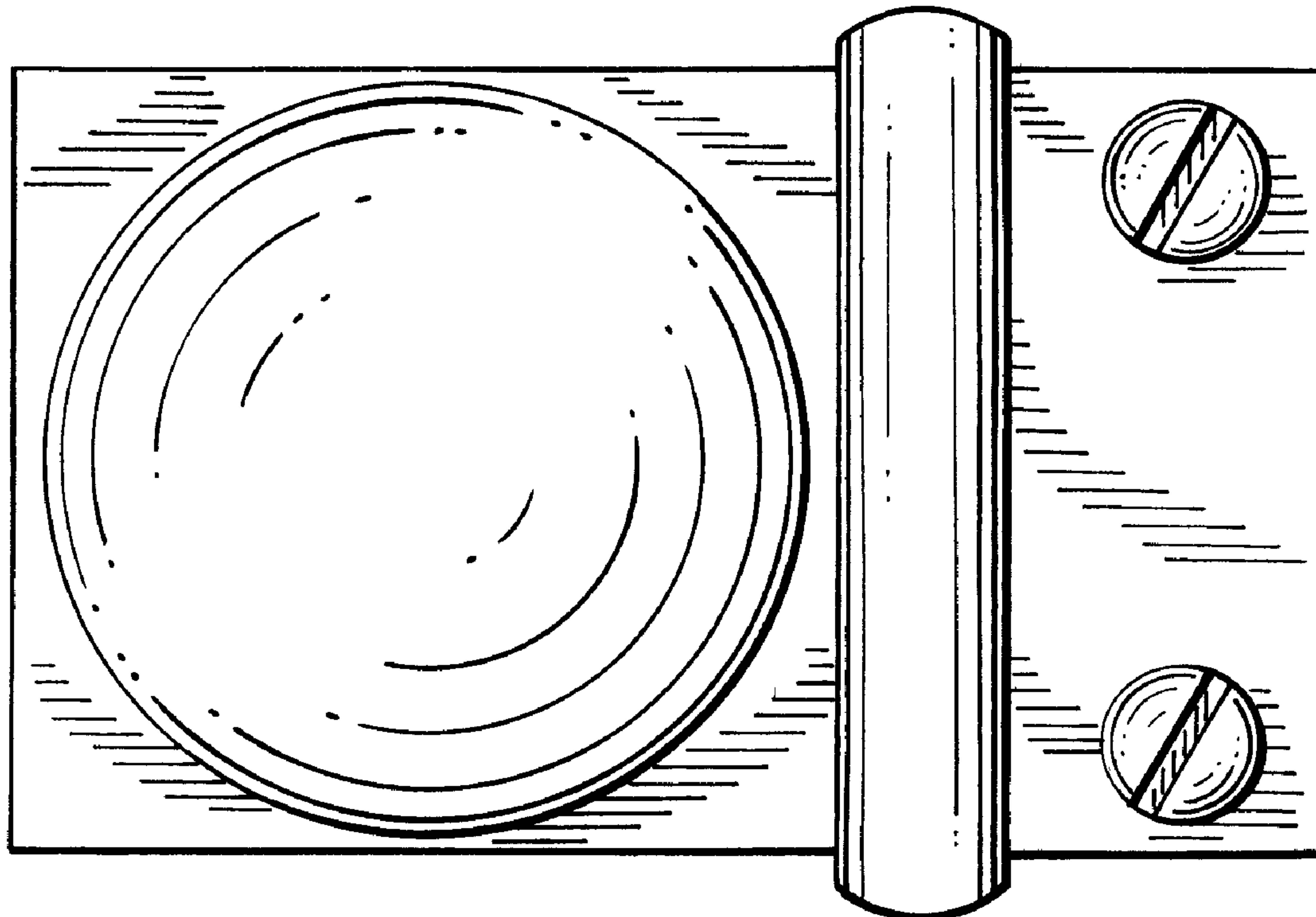


FIG. 1

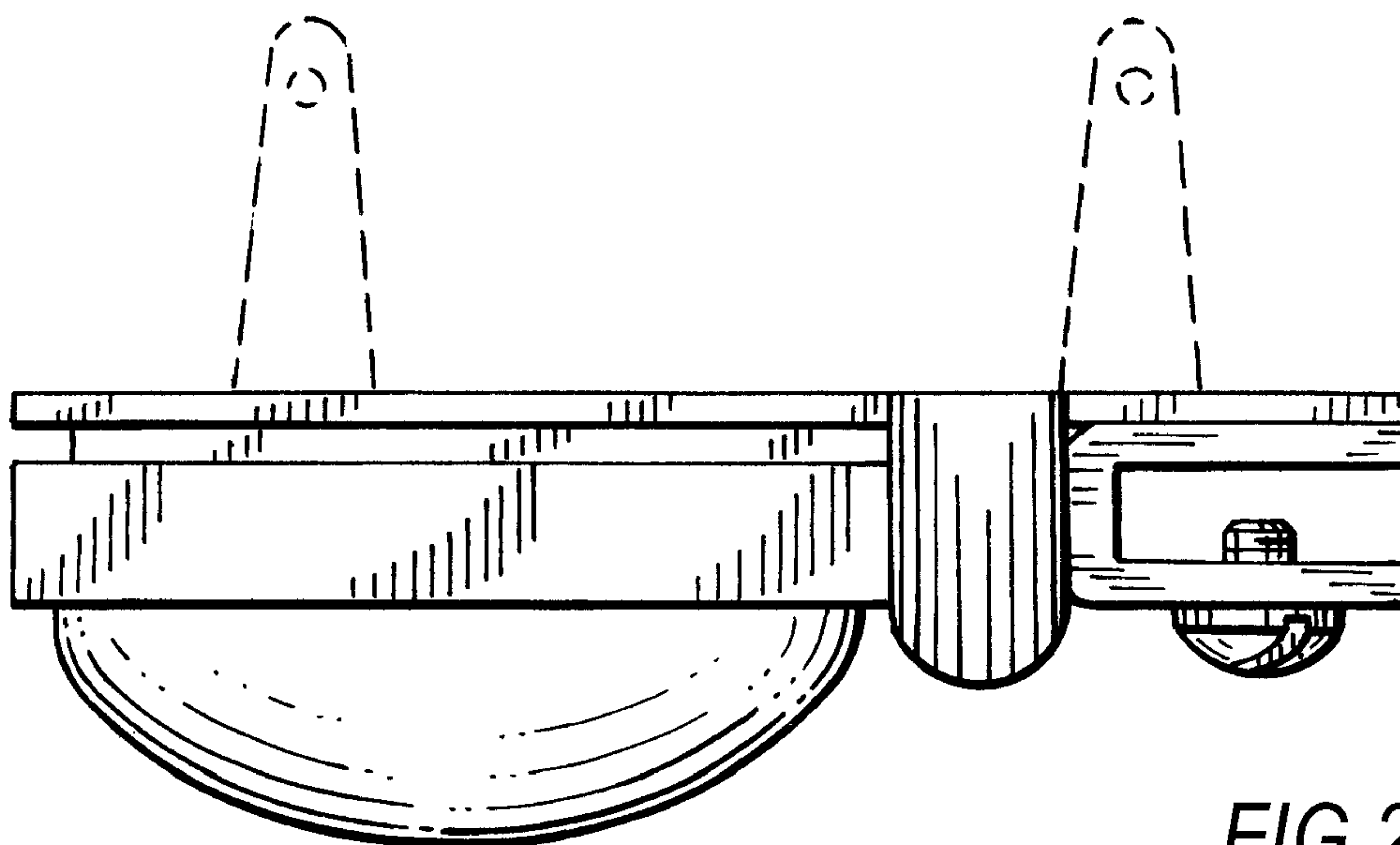
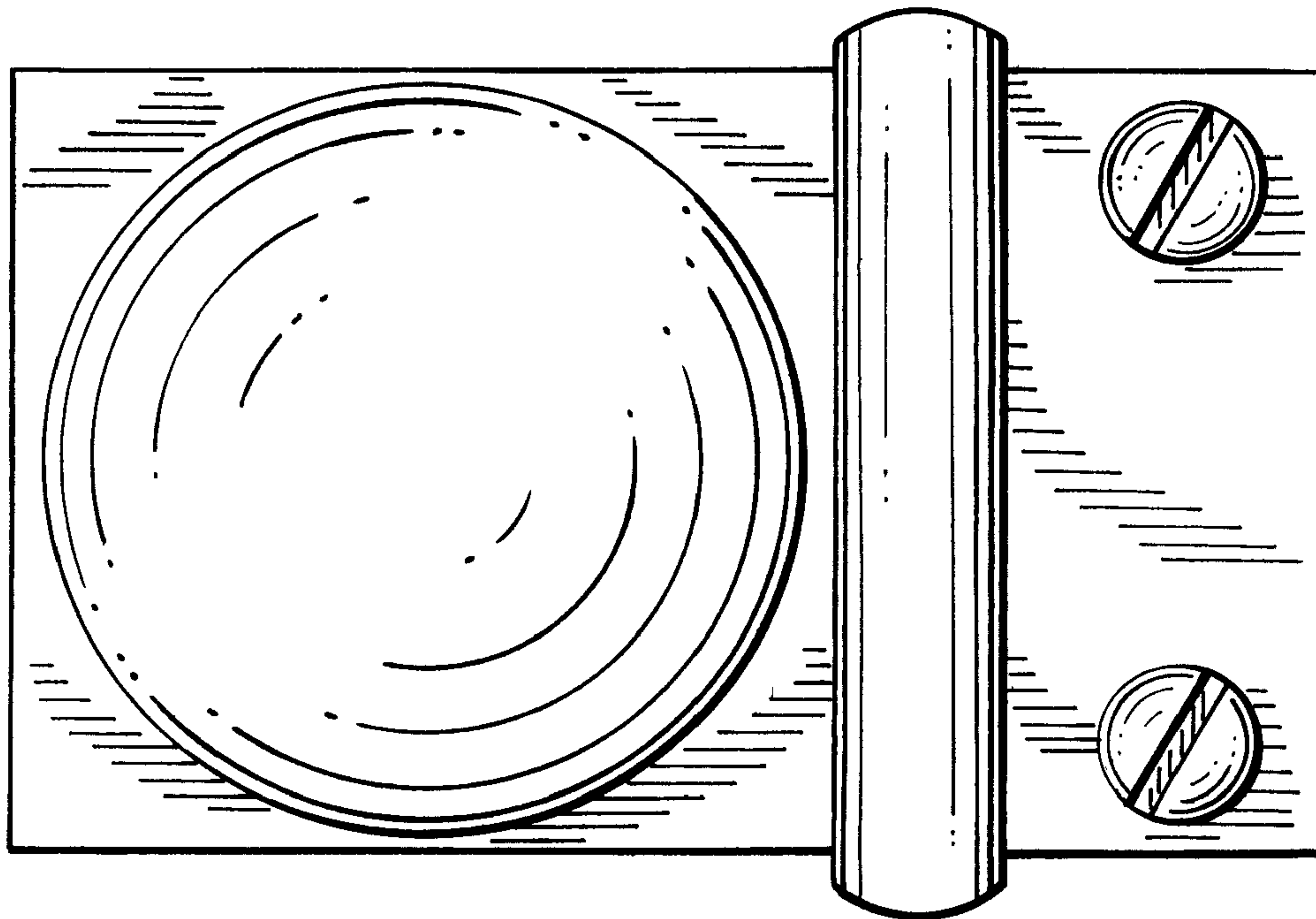


FIG. 2

FIG.3

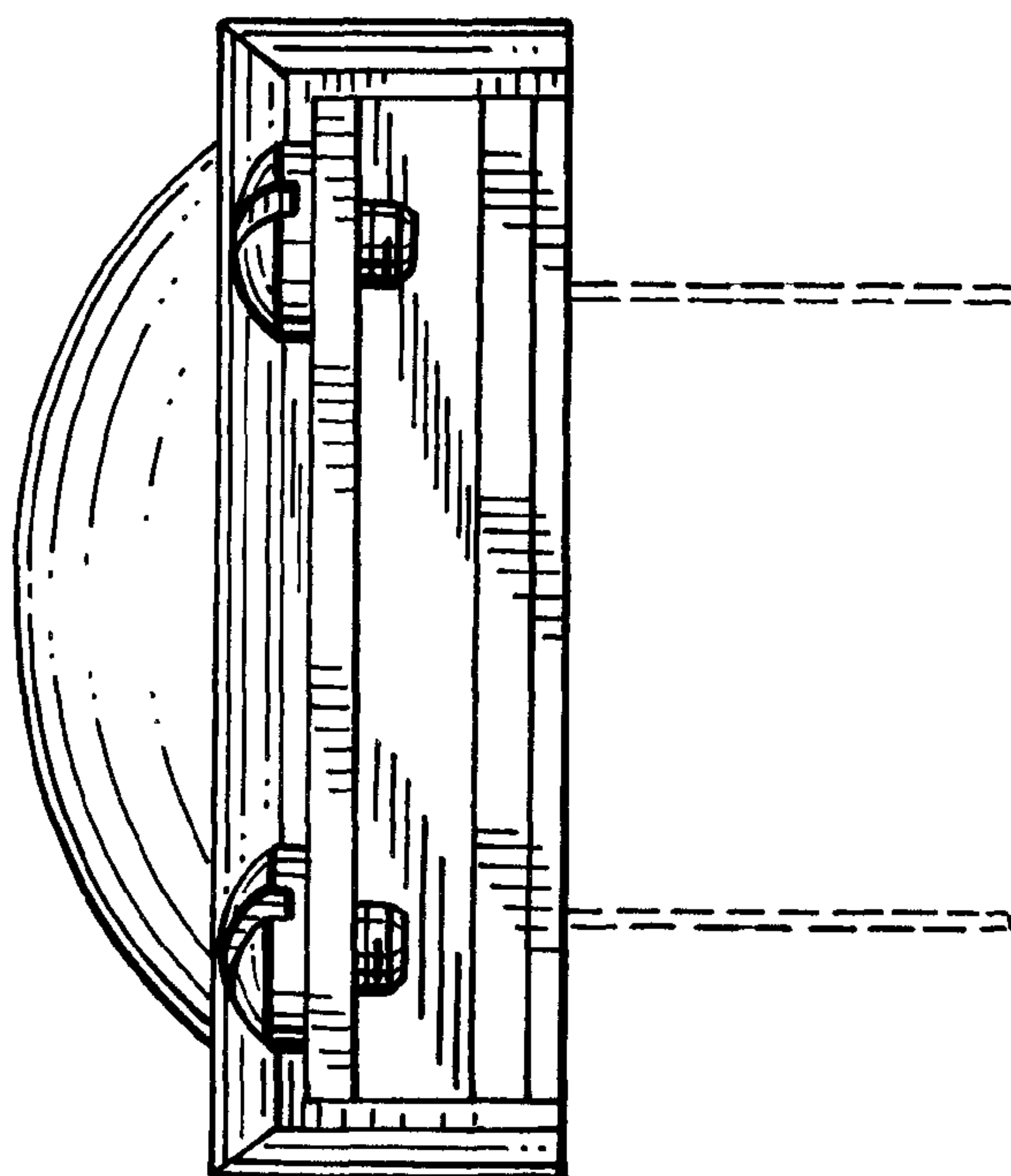
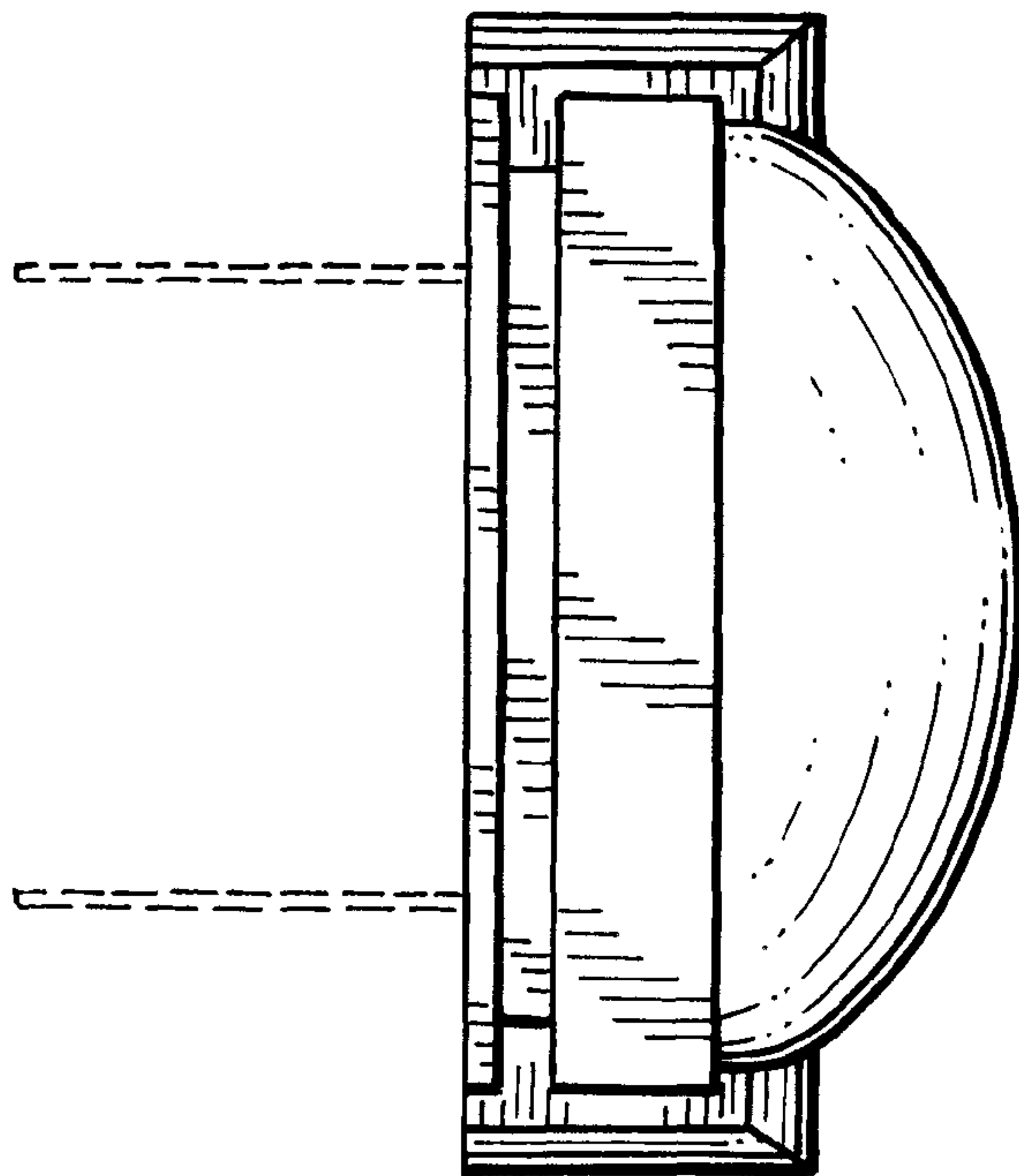


FIG.4

FIG.5

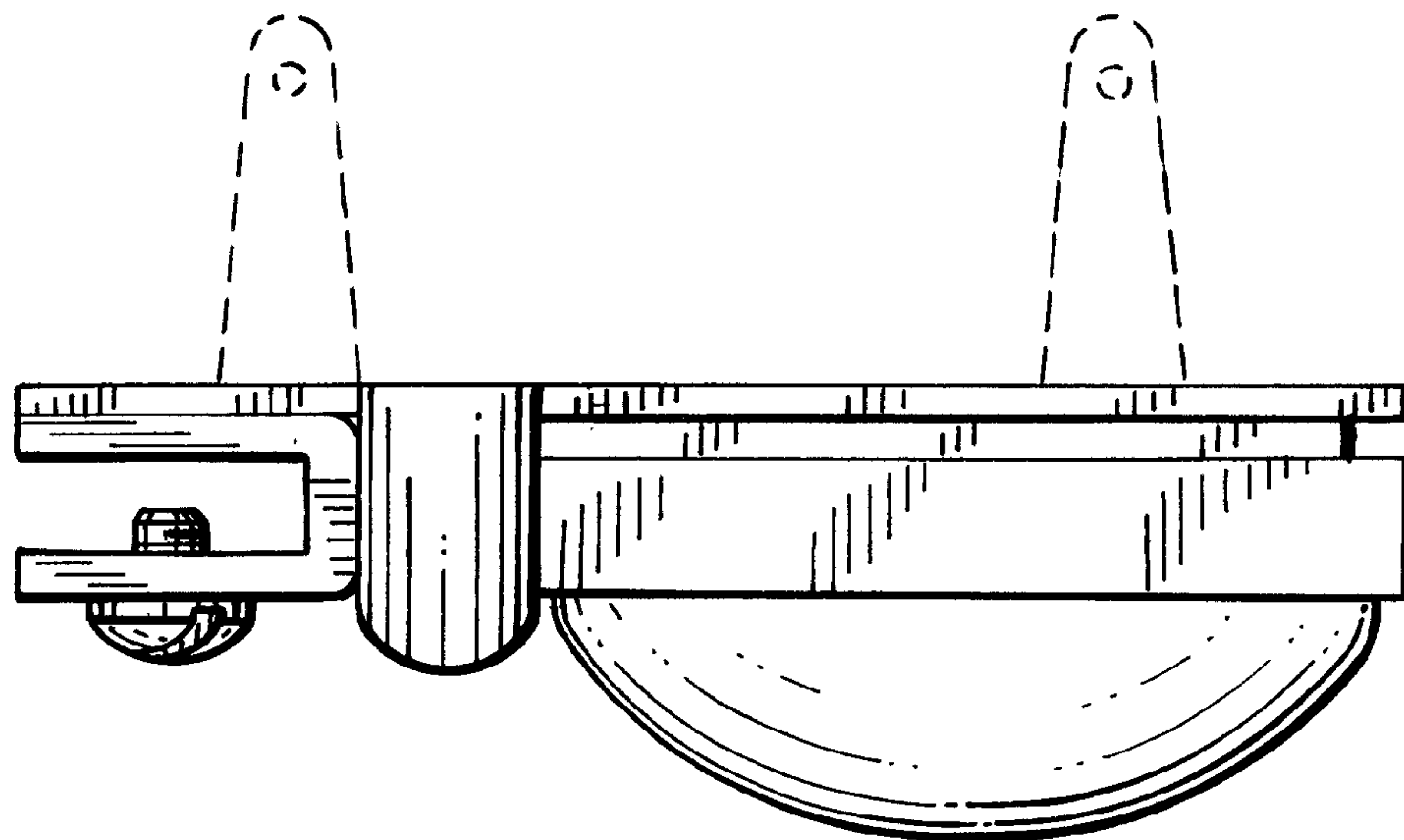
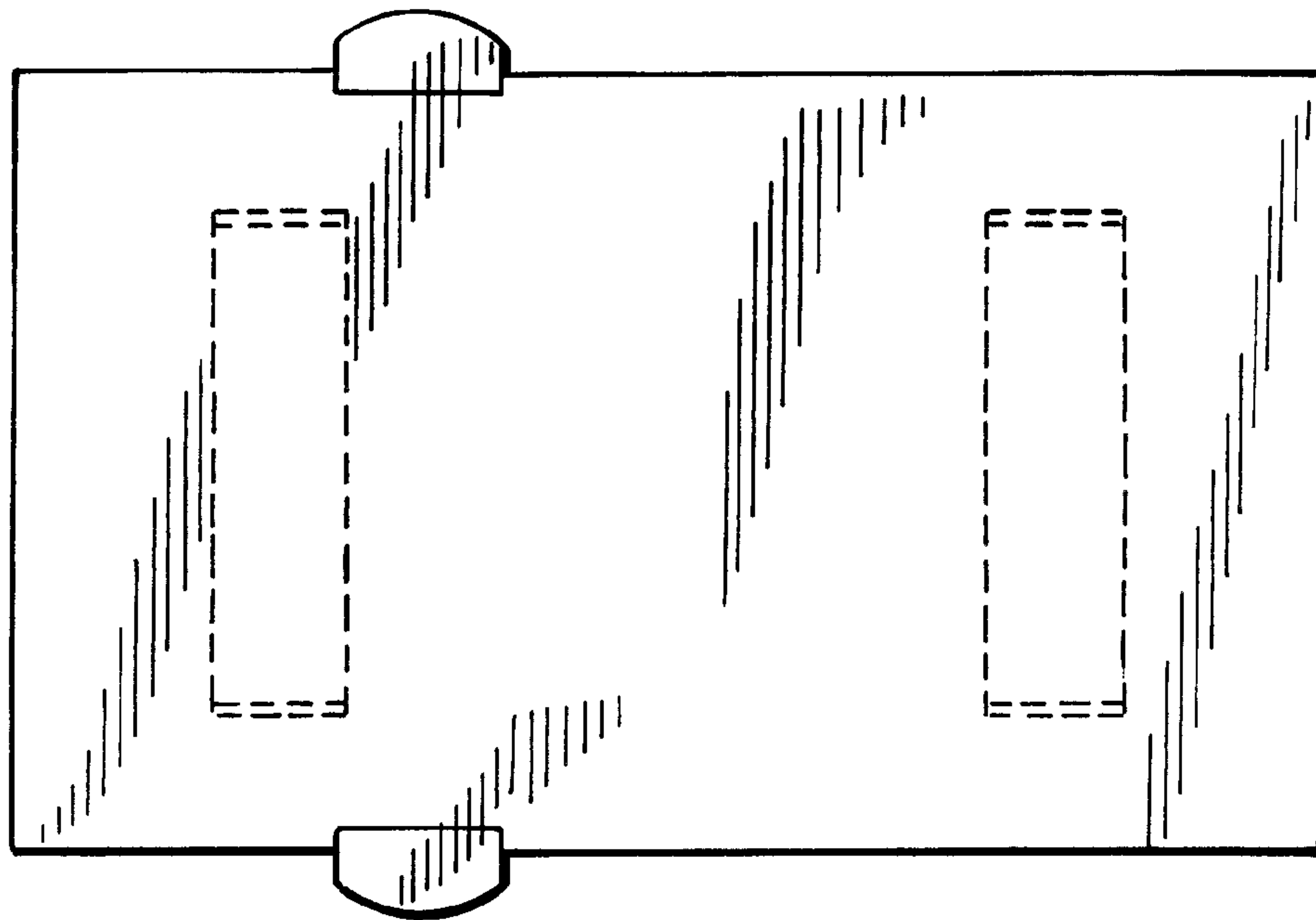


FIG.6