



US00D623977S

(12) **United States Design Patent**
Cole

(10) **Patent No.:** **US D623,977 S**

(45) **Date of Patent:** **** Sep. 21, 2010**

(54) **WATCH FACE**

(76) **Inventor:** **Edward C. Cole**, 178 Rockcrest Rd.,
Manhasset, NY (US) 11030

(**) **Term:** **14 Years**

(21) **Appl. No.:** **29/355,769**

(22) **Filed:** **Feb. 12, 2010**

Related U.S. Application Data

(63) Continuation-in-part of application No. 29/336,861,
filed on May 11, 2009, now abandoned.

(51) **LOC (9) Cl.** **10-07**

(52) **U.S. Cl.** **D10/126**

(58) **Field of Classification Search** D10/122–126,
D10/30–39; 368/80, 223, 228, 232, 28
See application file for complete search history.

(56) **References Cited**

U.S. PATENT DOCUMENTS

D183,732 S *	10/1958	Fedor	D10/39
D308,945 S *	7/1990	Bonnet	D10/32
D309,872 S *	8/1990	Grinberg et al.	D10/126
D356,042 S *	3/1995	Nakanishi	D10/39
D360,375 S *	7/1995	Snapp	D10/126
D407,029 S *	3/1999	Drucker	D10/39
D410,394 S *	6/1999	Bulgari	D10/39
D502,120 S *	2/2005	Nataf	D10/126

D502,409 S *	3/2005	Figueiredo	D10/30
D519,851 S *	5/2006	Seyr	D10/31
D520,384 S *	5/2006	Scheufele	D10/39
D538,181 S *	3/2007	Sugiura	D10/31
D554,535 S *	11/2007	Journe	D10/31
D554,542 S *	11/2007	Laucella et al.	D10/39
D555,516 S *	11/2007	Sugiura	D10/31
D559,128 S *	1/2008	Laucella	D10/39
D562,704 S *	2/2008	Lalo	D10/32
D562,716 S *	2/2008	Kume	D10/126
D576,065 S *	9/2008	Vaptzarof	D10/126
D578,920 S *	10/2008	Behling	D10/126
D609,120 S *	2/2010	Lalo	D10/39

* cited by examiner

Primary Examiner—Lucy Lieberman

(74) *Attorney, Agent, or Firm*—Gerard P. Norton;
Christopher R. Kinkade; Fox Rothschild LLP

(57) **CLAIM**

The ornamental design for a watch face, as shown and described.

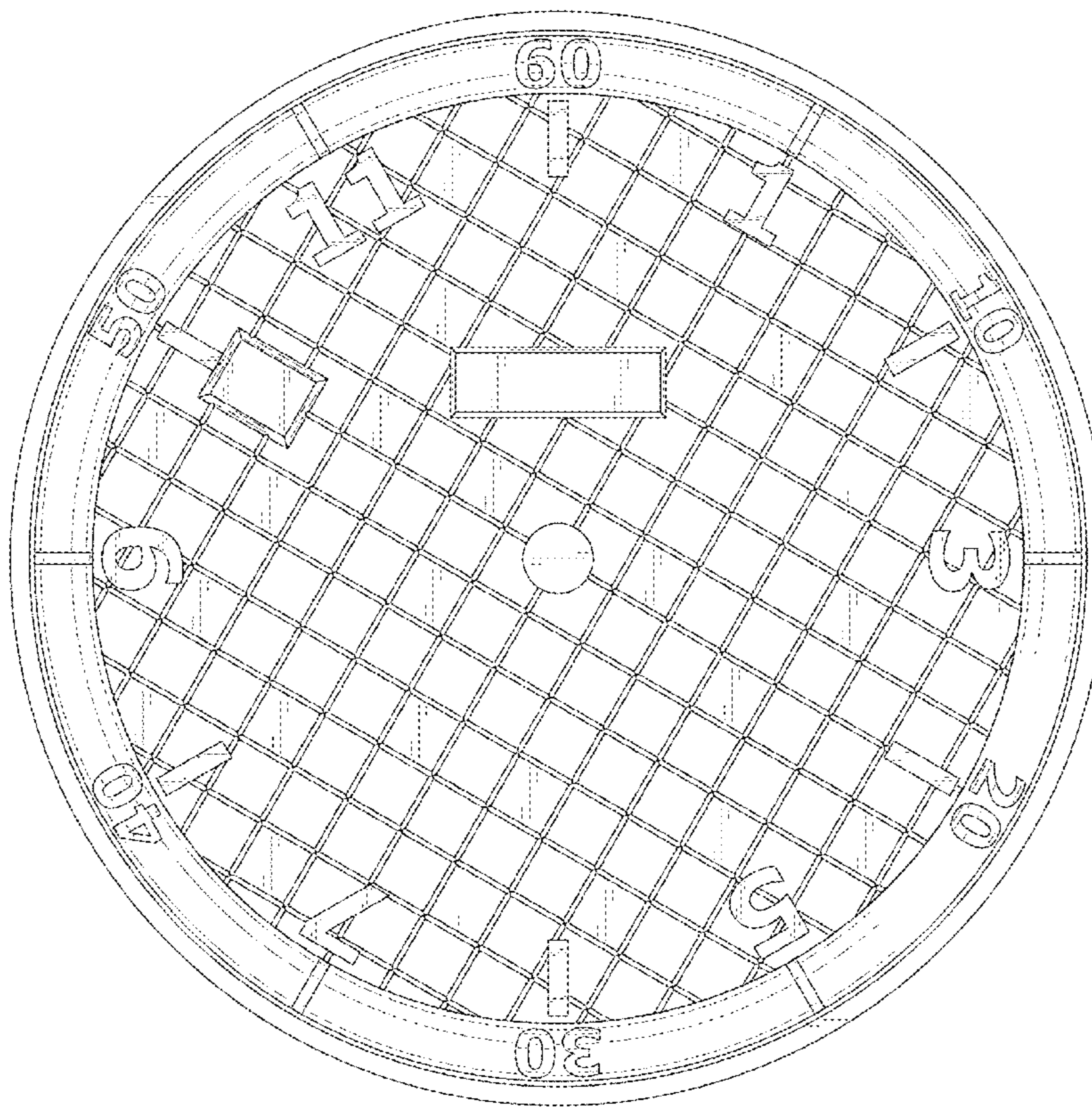
DESCRIPTION

FIG. 1 is a front elevation of a watch face showing my new design;

FIG. 2 is a front and top perspective view thereof; and,

FIG. 3 is a front and side perspective view thereof.

1 Claim, 3 Drawing Sheets



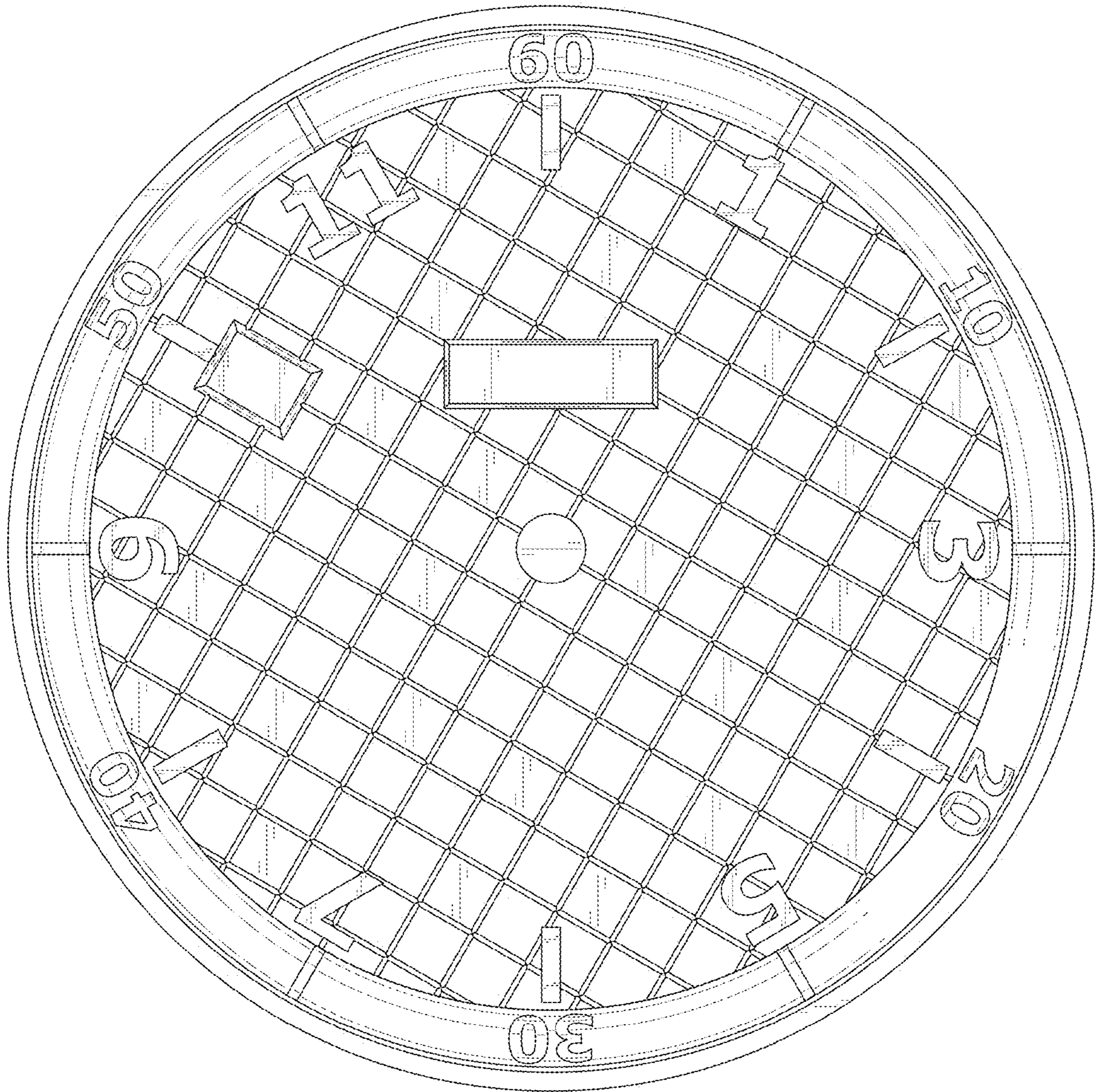


FIG. 1

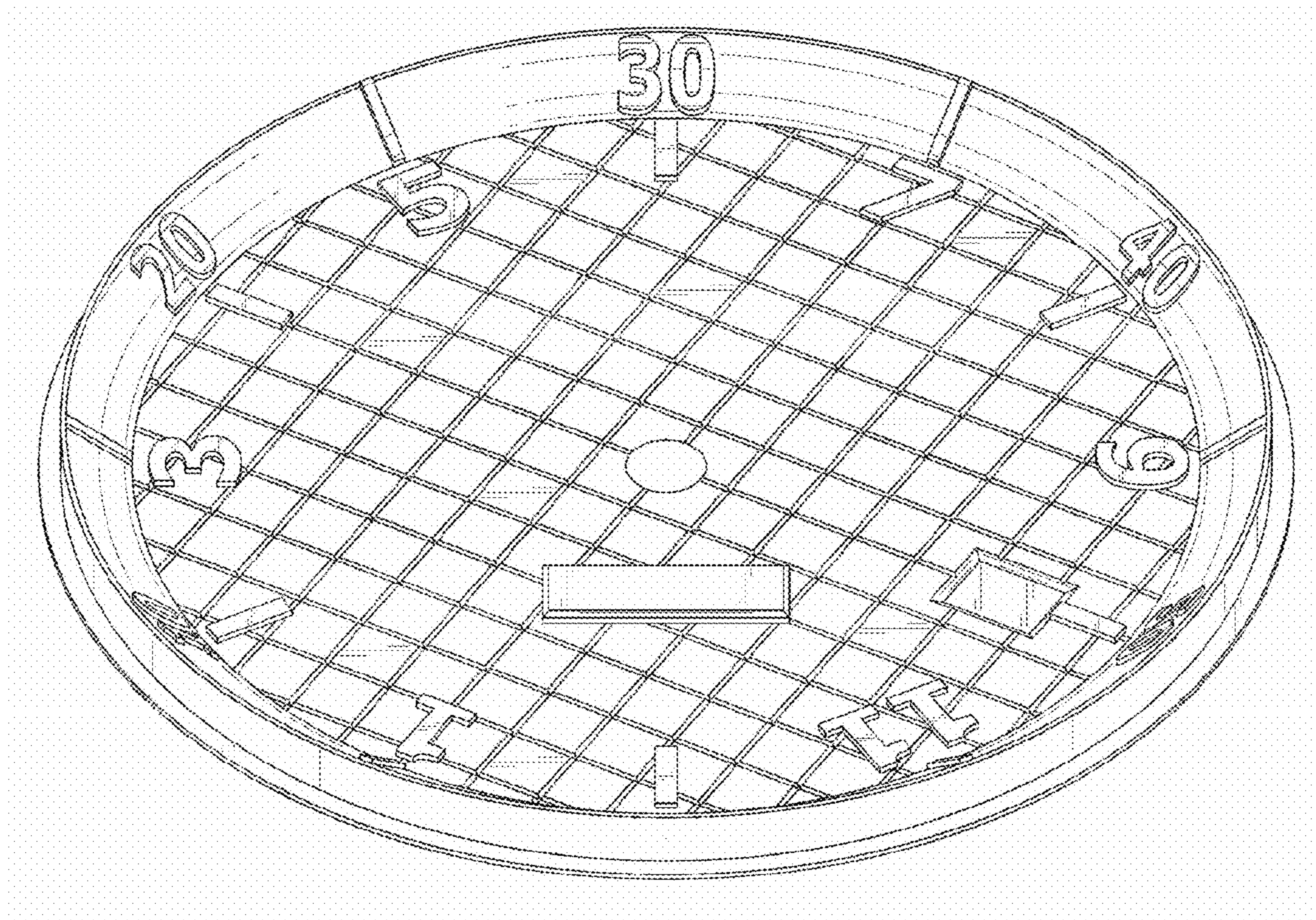


FIG. 2

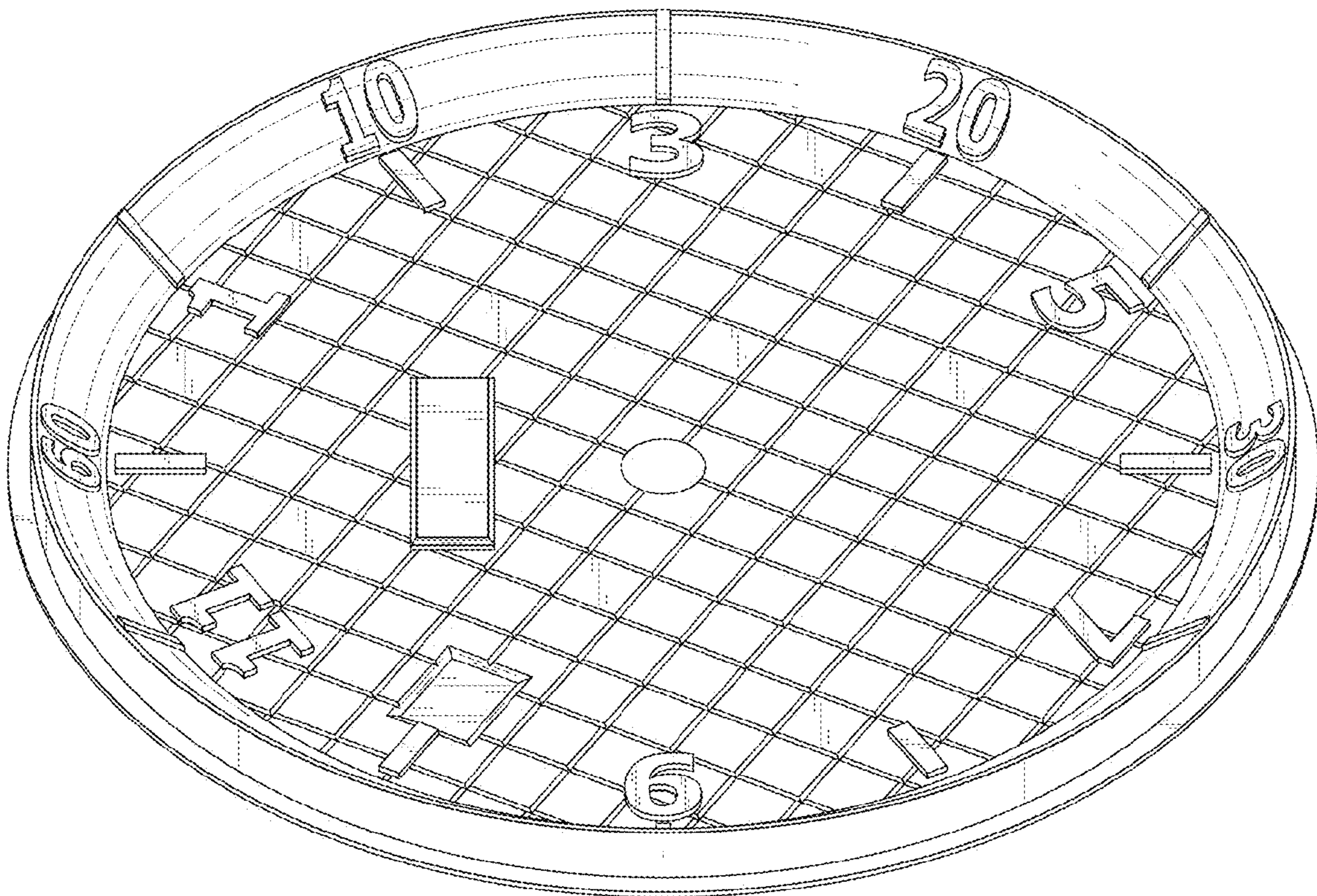


FIG. 3