



US00D623975S

(12) **United States Design Patent**
Woods

(10) **Patent No.:** **US D623,975 S**

(45) **Date of Patent:** **** Sep. 21, 2010**

(54) **MOTION SENSING LIGHTED MAT**

(75) Inventor: **Scott R. Woods**, High Point, NC (US)

(73) Assignee: **Woods International Inc.**, High Point, NC (US)

(**) Term: **14 Years**

(21) Appl. No.: **29/359,171**

(22) Filed: **Apr. 7, 2010**

Related U.S. Application Data

(62) Division of application No. 29/336,552, filed on May 5, 2009, now Pat. No. Des. 615,897.

(51) **LOC (9) Cl.** **10-05**

(52) **U.S. Cl.** **D10/109; D6/583**

(58) **Field of Classification Search** D10/109,
D10/111, 114, 104; D26/29-31, 70, 71,
D26/72, 85, 73; D11/137; 362/544, 459,
362/466; 280/87.042; 340/473, 321; 404/16;
D6/583

See application file for complete search history.

(56) **References Cited**

U.S. PATENT DOCUMENTS

2,529,576	A *	11/1950	Scanlon	404/16
D165,130	S *	11/1951	Bolser	D10/114
3,781,790	A *	12/1973	Dawson	340/473
3,991,415	A	11/1976	Baar		
4,245,219	A	1/1981	Dempsey		
D261,048	S *	9/1981	Price	D26/24
4,340,929	A	7/1982	Konikoff		
4,544,993	A	10/1985	Kirk		
4,737,764	A	4/1988	Harrison		
4,744,015	A	5/1988	Lai		
4,888,581	A	12/1989	Guscott		
5,019,950	A	5/1991	Johnson		

D443,377	S *	6/2001	Handsaker	D26/72
D472,660	S *	4/2003	Lee	D26/72
6,707,386	B1	3/2004	Pruisner		
6,873,266	B2	3/2005	Blum		
7,205,903	B2	4/2007	Blum		
7,358,861	B2	4/2008	Blum		
7,382,267	B2	6/2008	Brendley		
2001/0011399	A1	8/2001	Blum		
2002/0121985	A1	9/2002	Blum		
2006/0132322	A1	6/2006	Jackson		
2007/0258255	A1	11/2007	Kessler		
2008/0204258	A1	8/2008	Dayton		
2008/0238660	A1	10/2008	Dayton		
2008/0238662	A1	10/2008	Dayton		
2008/0238691	A1	10/2008	Dayton		
2008/0238692	A1	10/2008	Dayton		

* cited by examiner

Primary Examiner—Caron Veynar

Assistant Examiner—George D Kirschbaum

(74) *Attorney, Agent, or Firm*—Womble Carlyle Sandridge & Rice, PLLC

(57) **CLAIM**

The ornamental design for a motion sensing lighted mat, as shown and described.

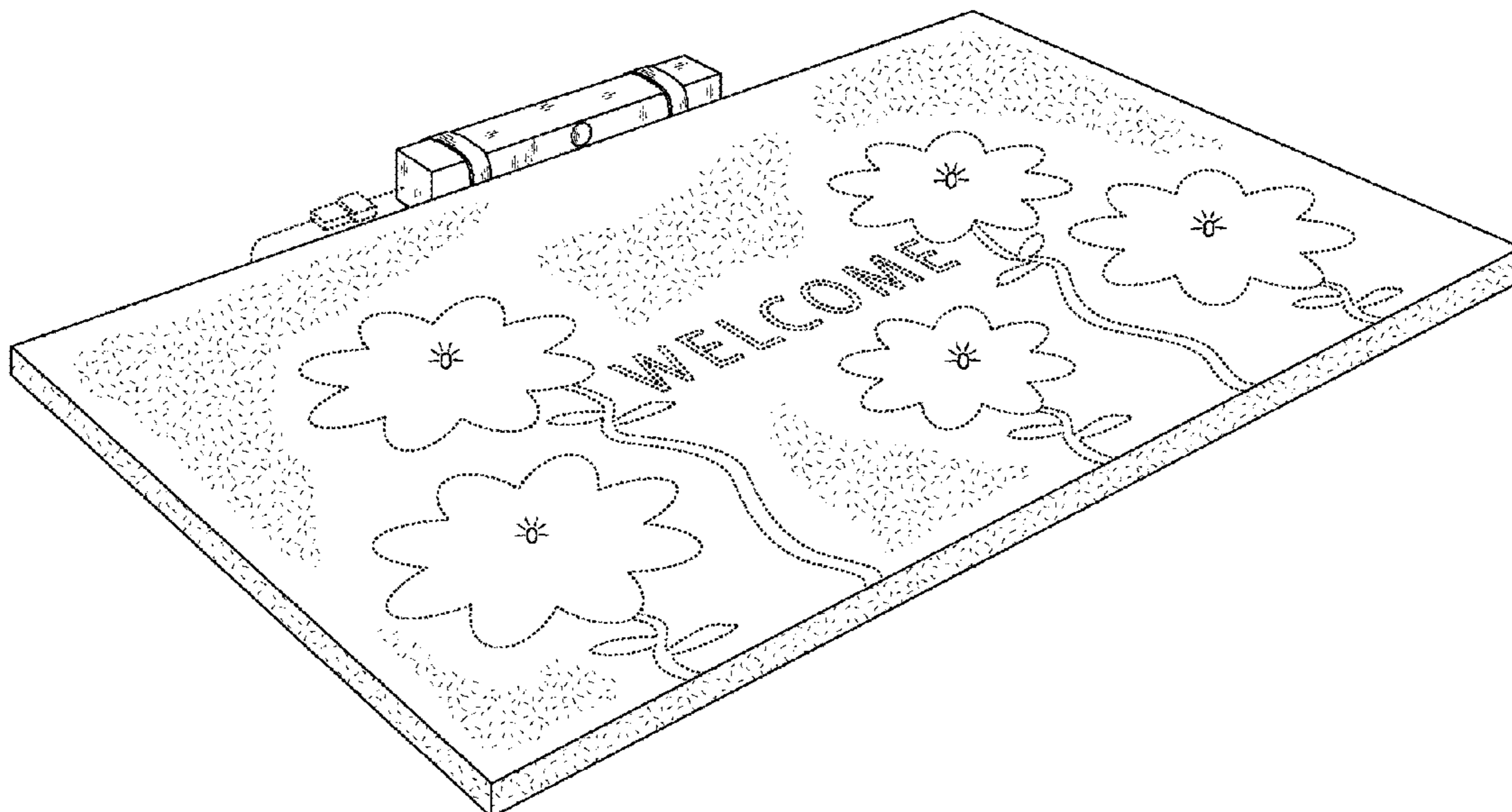
DESCRIPTION

FIG. 1 is a front left perspective of a new motion sensing lighted mat showing my new design; and,

FIG. 2 is an exploded view thereof.

The views of the motion sensing lighted mat not shown form no part of the claimed design. The dashed electrical lines and couplings, and the dashed “WELCOME” indicia and flower designs, refer to environmental elements only and form no part of the claimed design. The lights have emanating shade lines to indicate illumination.

1 Claim, 2 Drawing Sheets



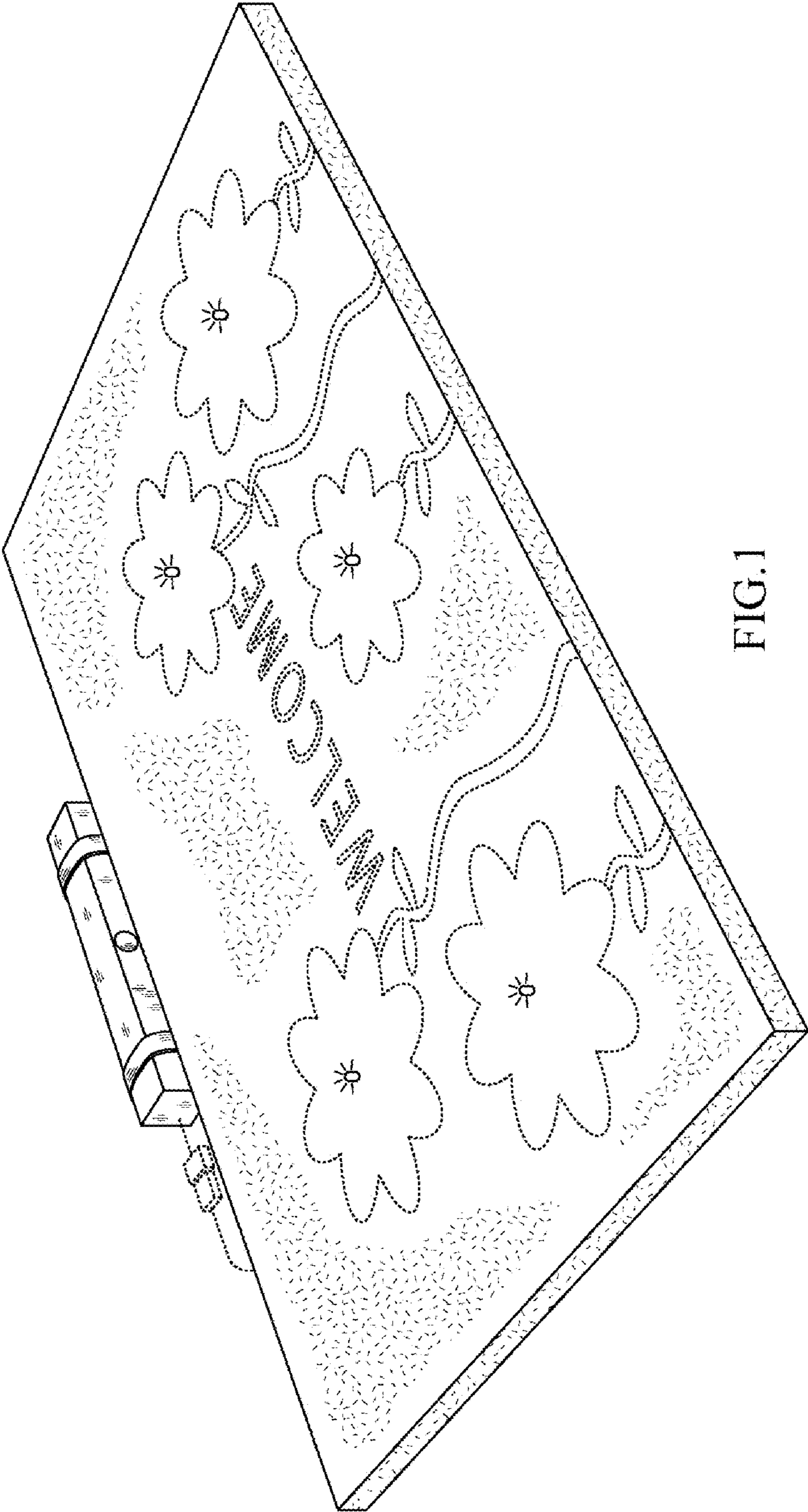


FIG. 1

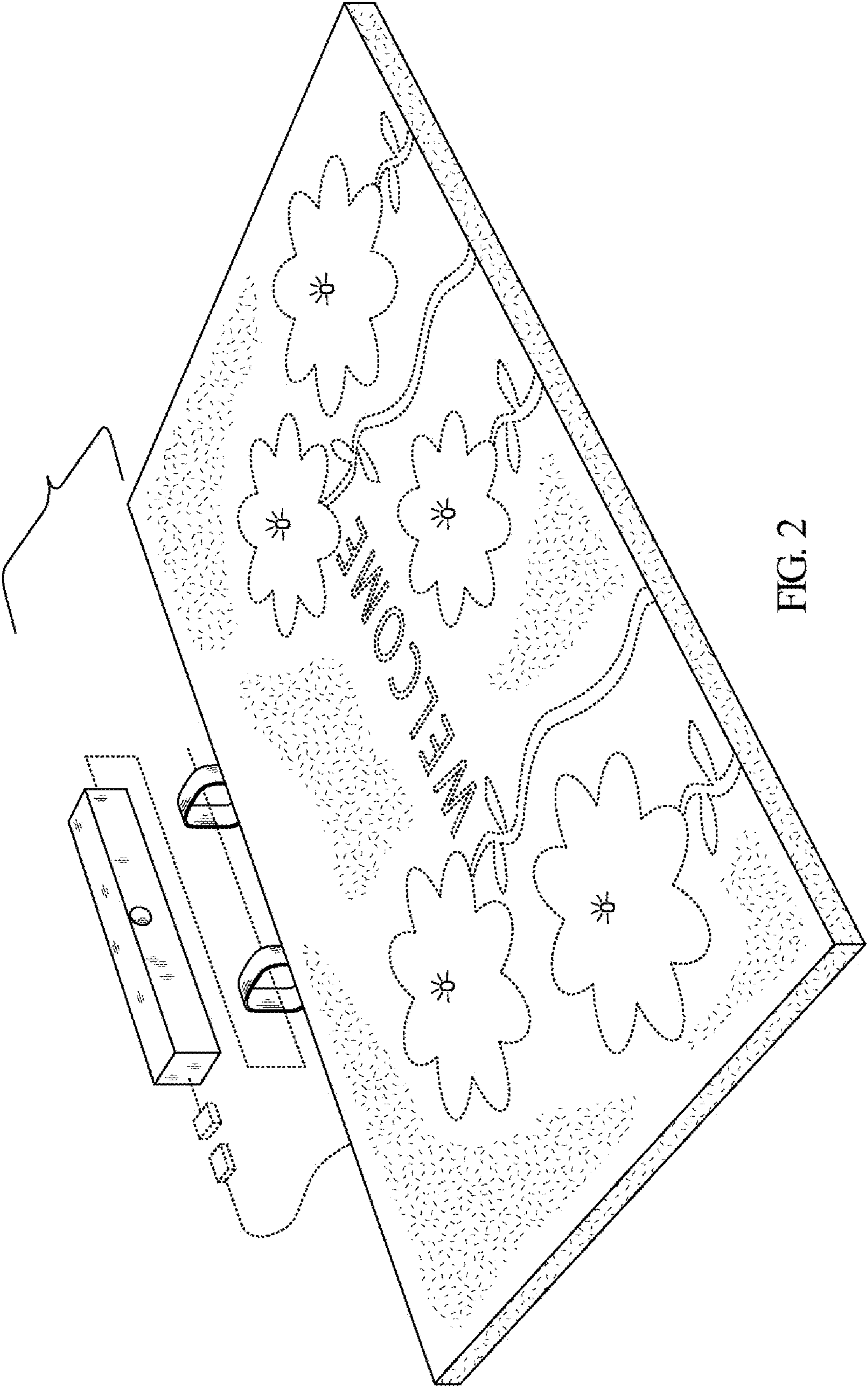


FIG. 2