



US00D623974S

(12) **United States Design Patent**
Shigeno et al.

(10) **Patent No.:** **US D623,974 S**
(45) **Date of Patent:** **** Sep. 21, 2010**

(54) **VISCERAL FAT METER**

D526,231 S * 8/2006 Oas D10/97

D582,308 S * 12/2008 Kajita D10/94

2004/0102684 A1* 5/2004 Kawanishi et al. 600/300

(75) Inventors: **Takashi Shigeno**, Kawasaki (JP);
Kazuya Andachi, Minato-ku (JP);
Tadashi Koike, Kyoto (JP); **Yoshikazu Inami**, Akashi (JP); **Takehiro Hamaguchi**, Kyoto (JP); **Hirromichi Karo**, Kyoto (JP); **Tomoya Ijiri**, Kameoka (JP)

* cited by examiner

Primary Examiner—Antoine D Davis

(73) Assignee: **OMRON Healthcare Co., Ltd.**, Kyoto (JP)

(74) *Attorney, Agent, or Firm*—Capitol City TechLaw

(**) Term: **14 Years**

(57) **CLAIM**

The ornamental design for a visceral fat meter, as shown.

(21) Appl. No.: **29/342,394**

(22) Filed: **Aug. 24, 2009**

DESCRIPTION

(30) **Foreign Application Priority Data**

Mar. 2, 2009 (JP) 2009-004516

FIG. 1 is a front perspective view of a visceral fat meter showing our new design;

(51) **LOC (9) Cl.** **10-04**

FIG. 2 is a rear perspective view thereof;

(52) **U.S. Cl.** **D10/97; D10/93**

FIG. 3 is a front elevational view thereof;

(58) **Field of Classification Search** D10/93-94,
D10/97; 128/920; 600/300, 372, 547, 587;
428/8

FIG. 4 is a rear elevational view thereof;

See application file for complete search history.

FIG. 5 is a top plan view thereof;

FIG. 6 is a bottom plan view thereof;

(56) **References Cited**

FIG. 7 is a right side elevational view thereof; and,

FIG. 8 is a left side elevational view thereof.

U.S. PATENT DOCUMENTS

D493,114 S * 7/2004 Martin D10/83

1 Claim, 4 Drawing Sheets

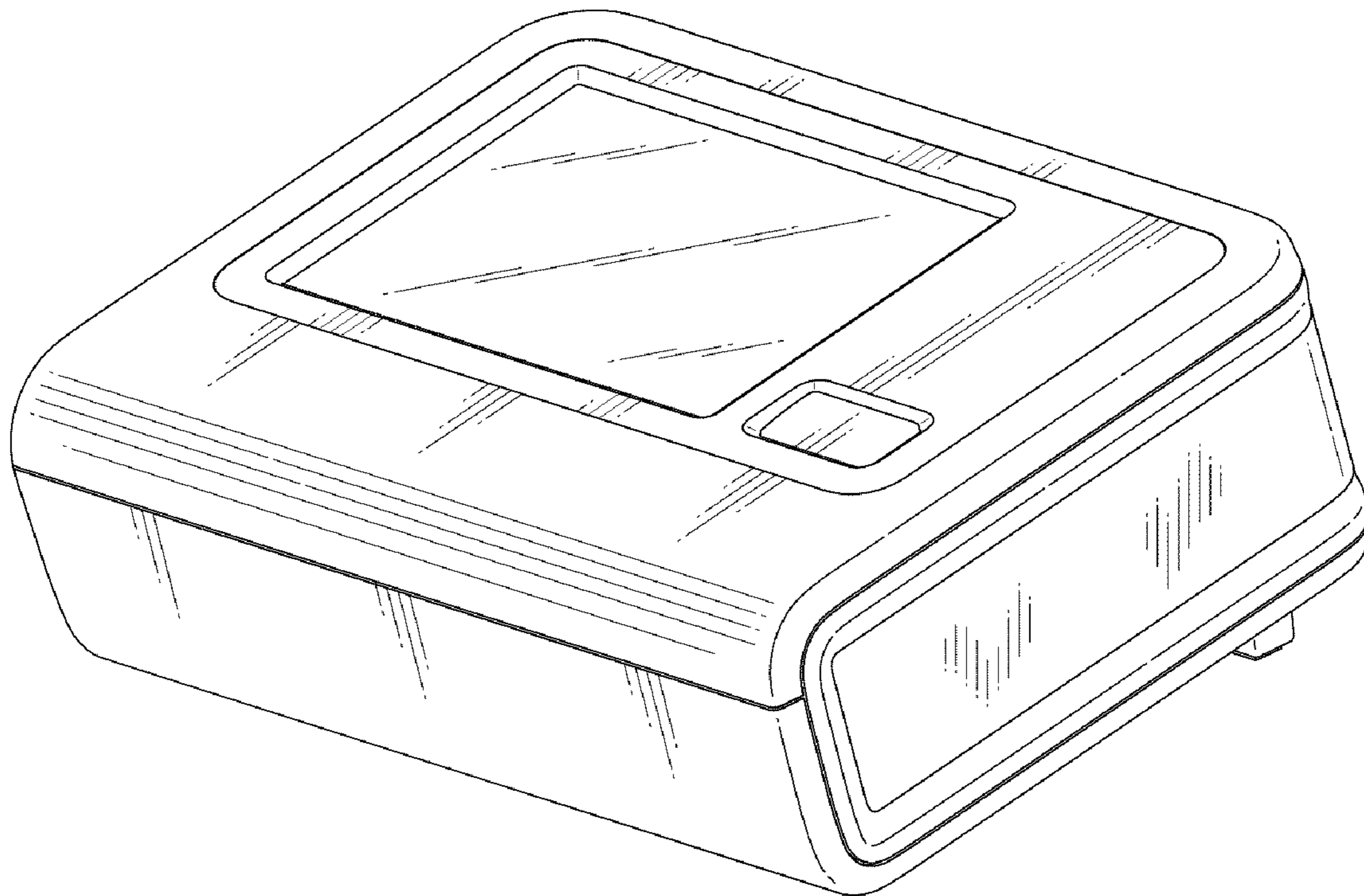


Fig. 1

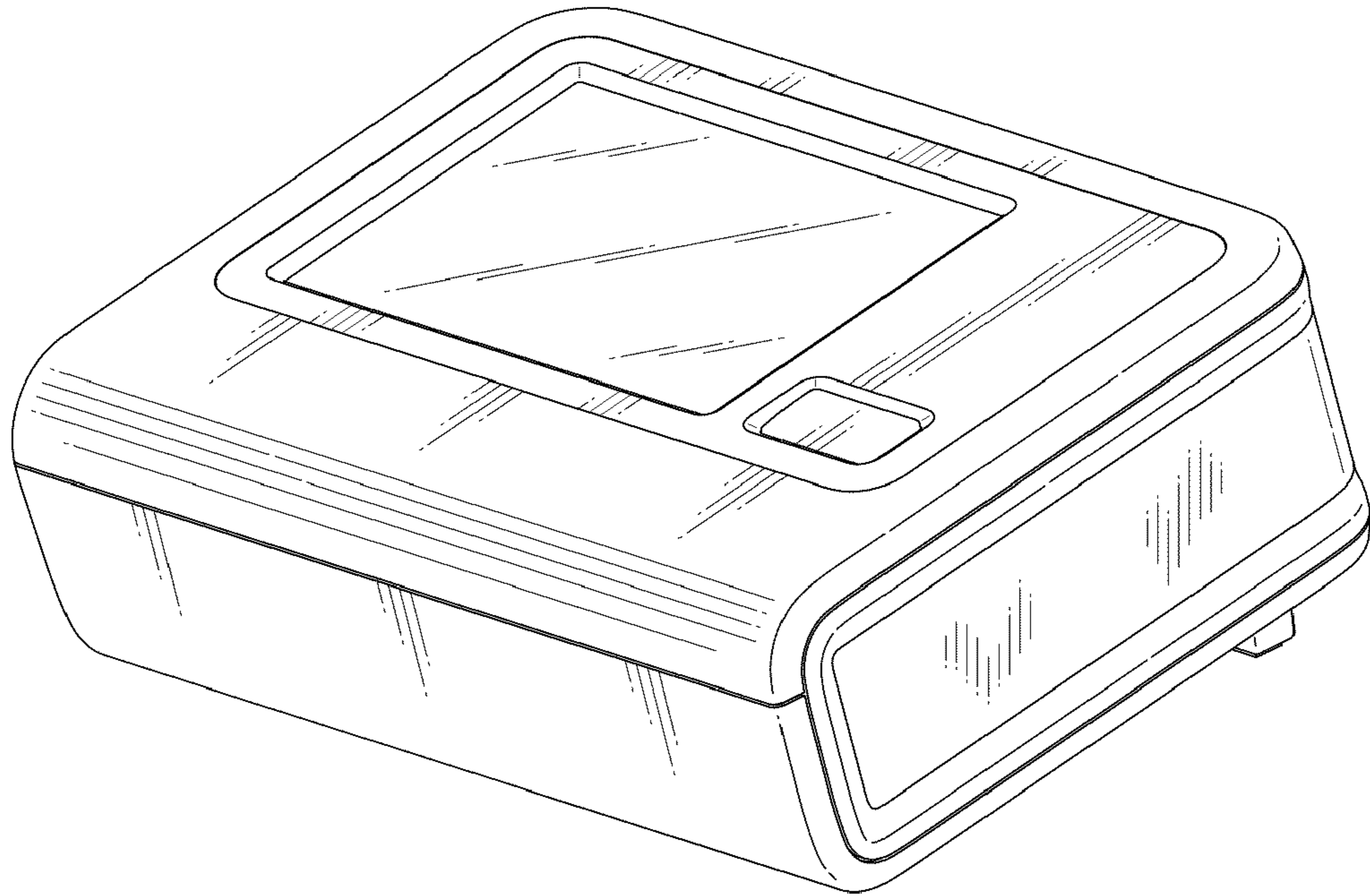


Fig. 2

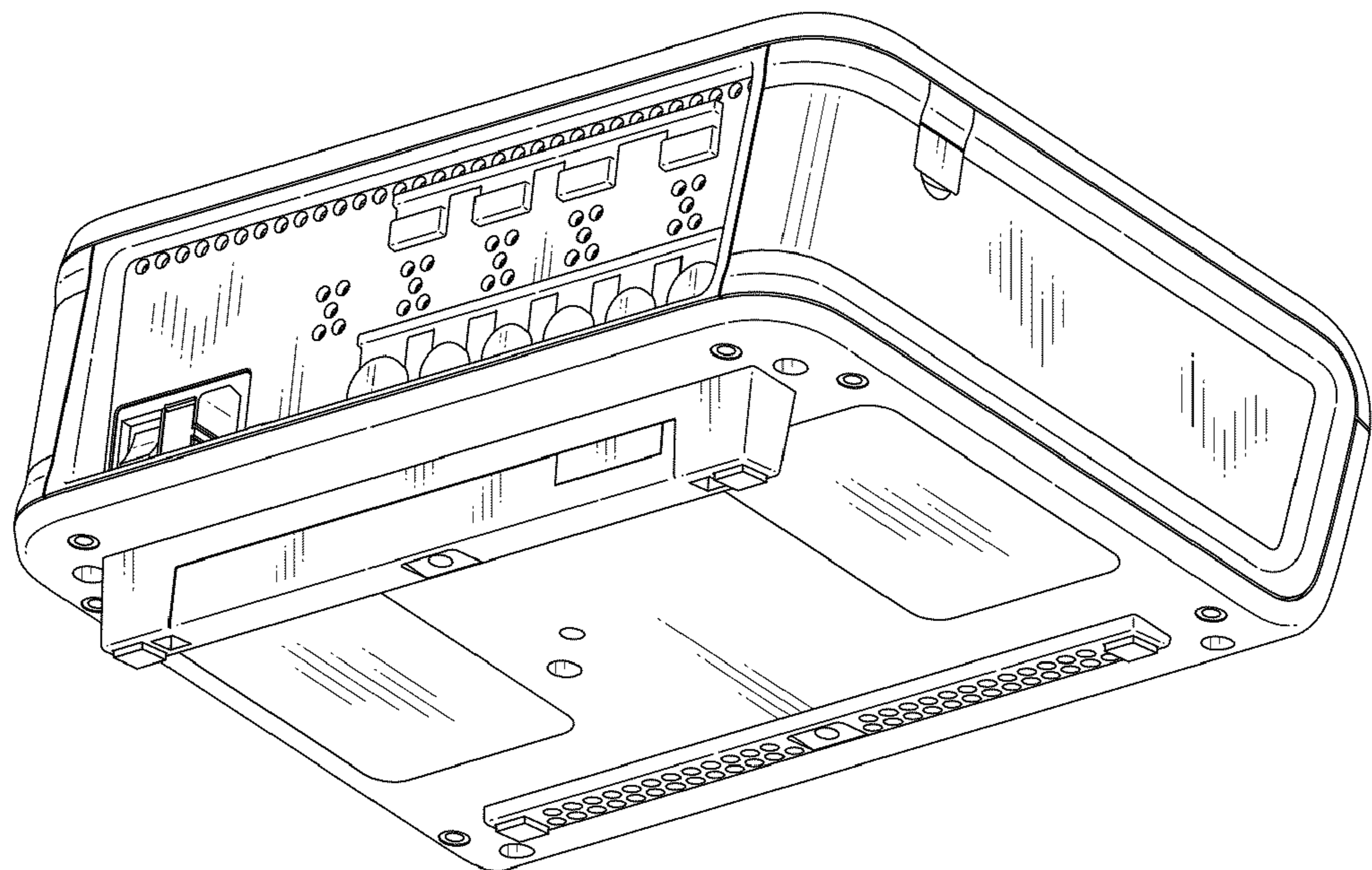


Fig. 3

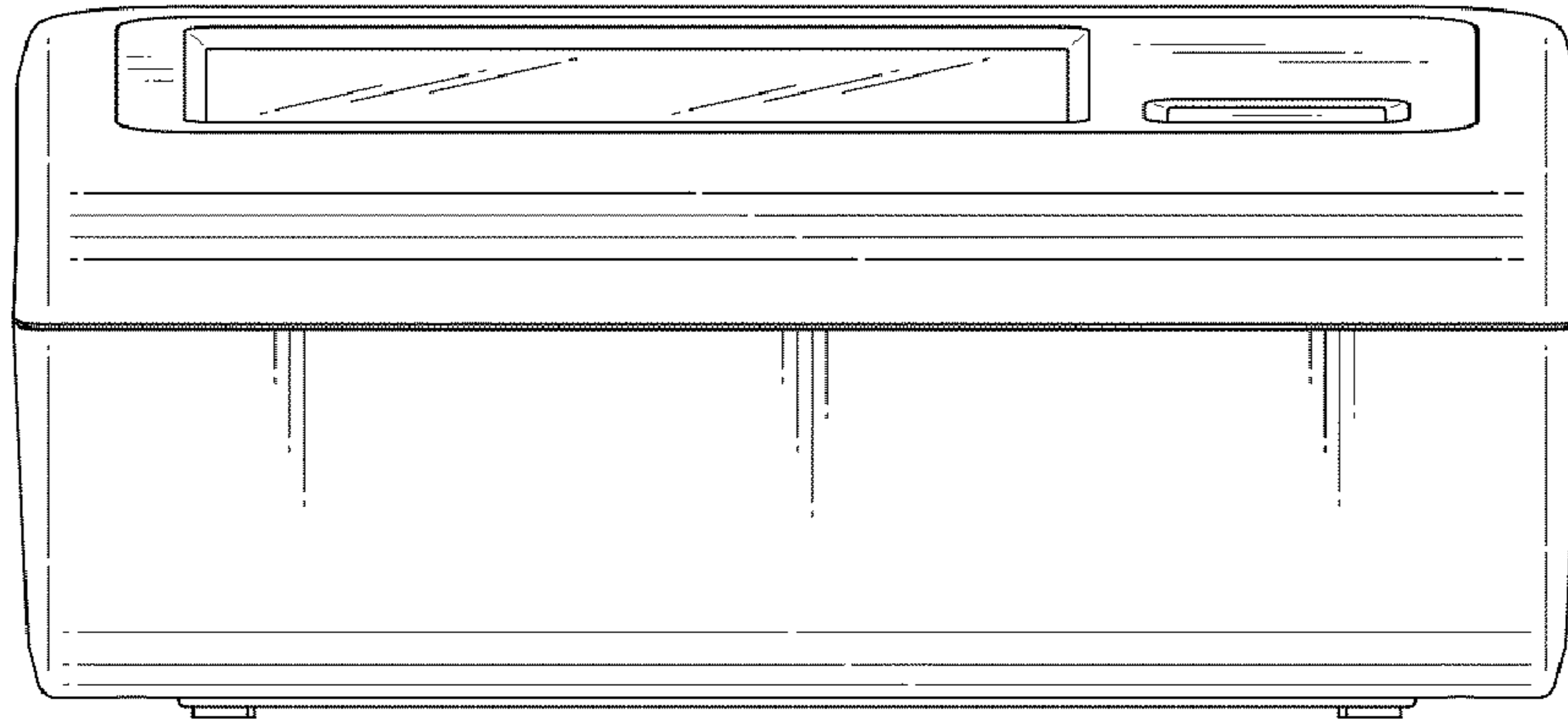


Fig. 4

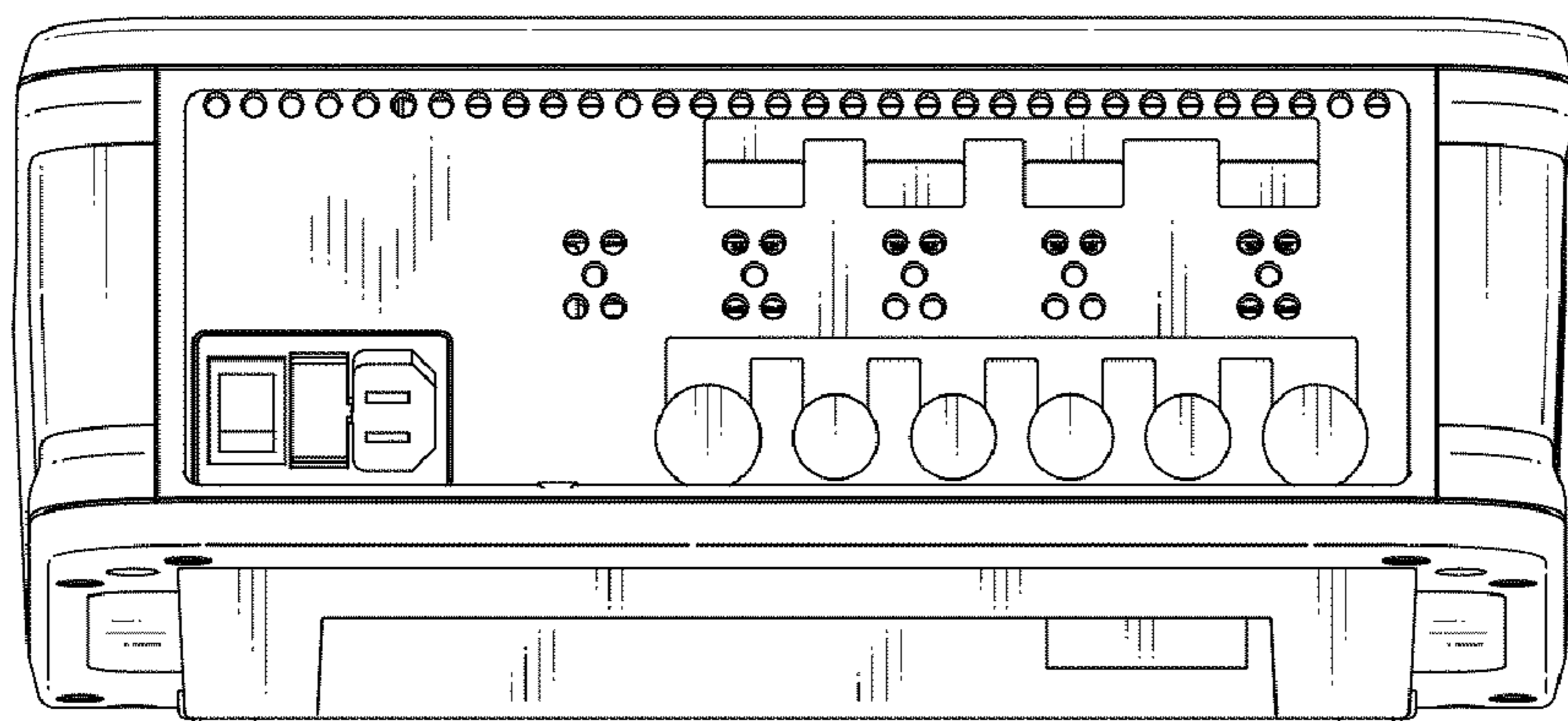


Fig. 5

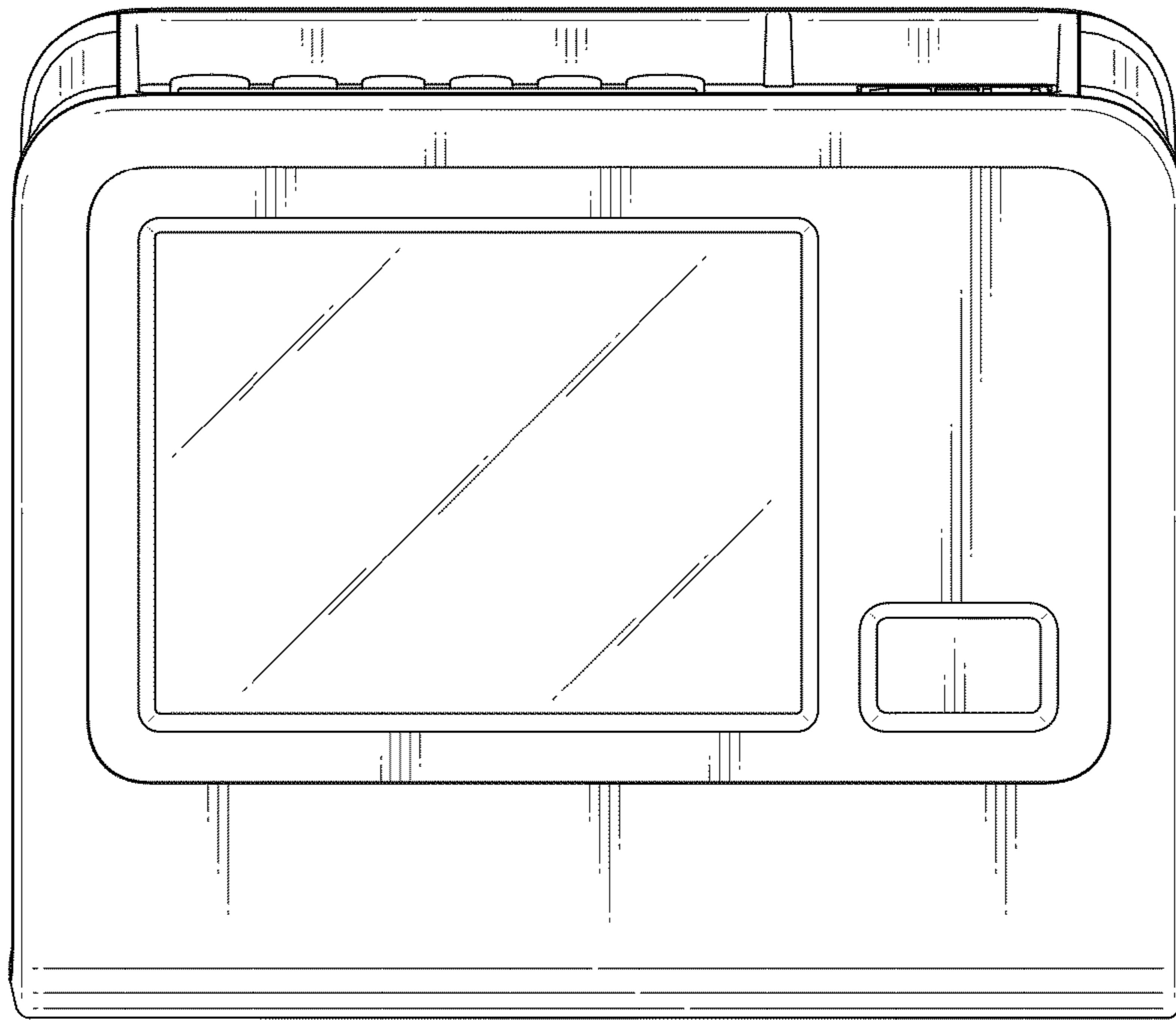


Fig. 6

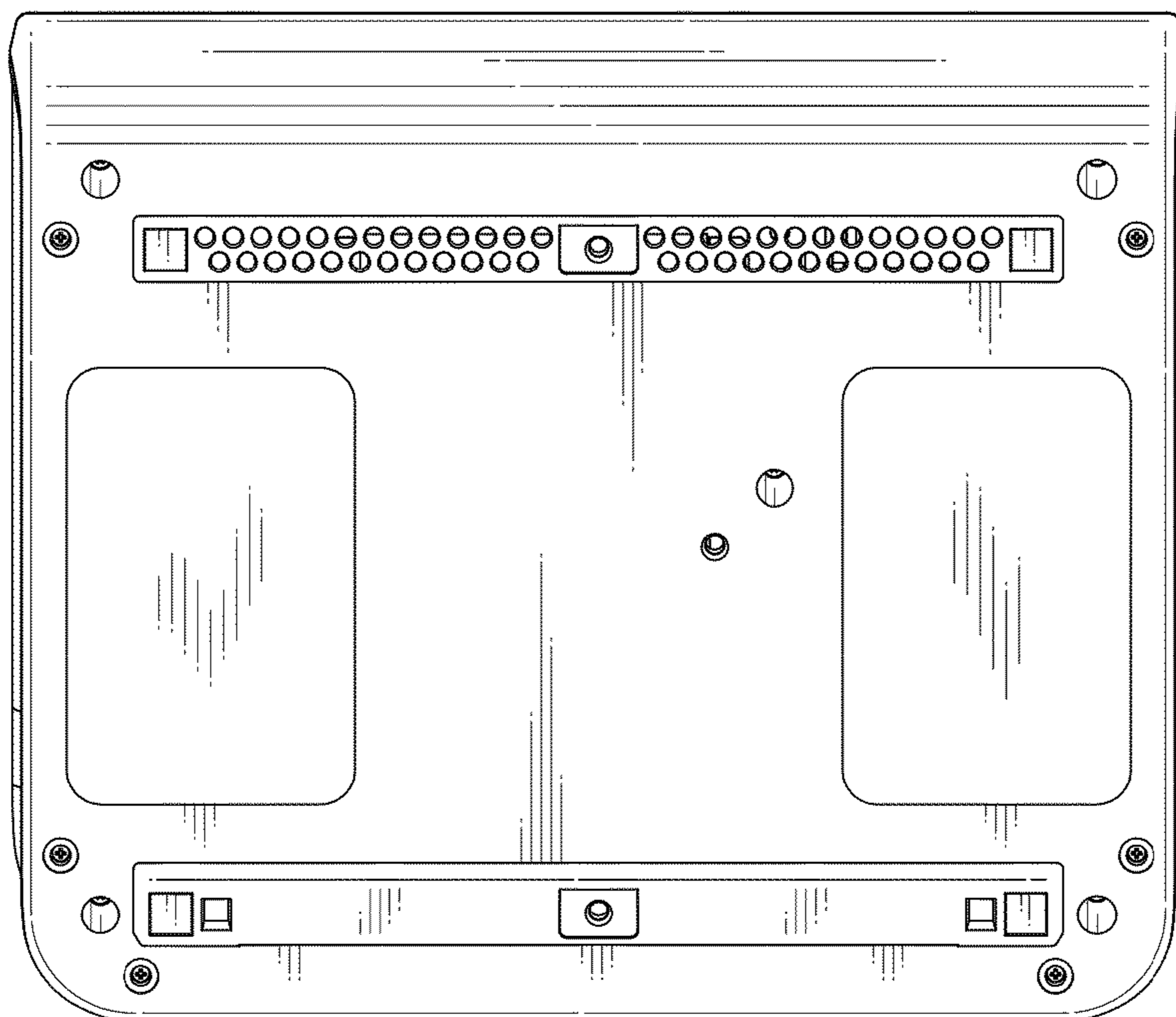


Fig. 7

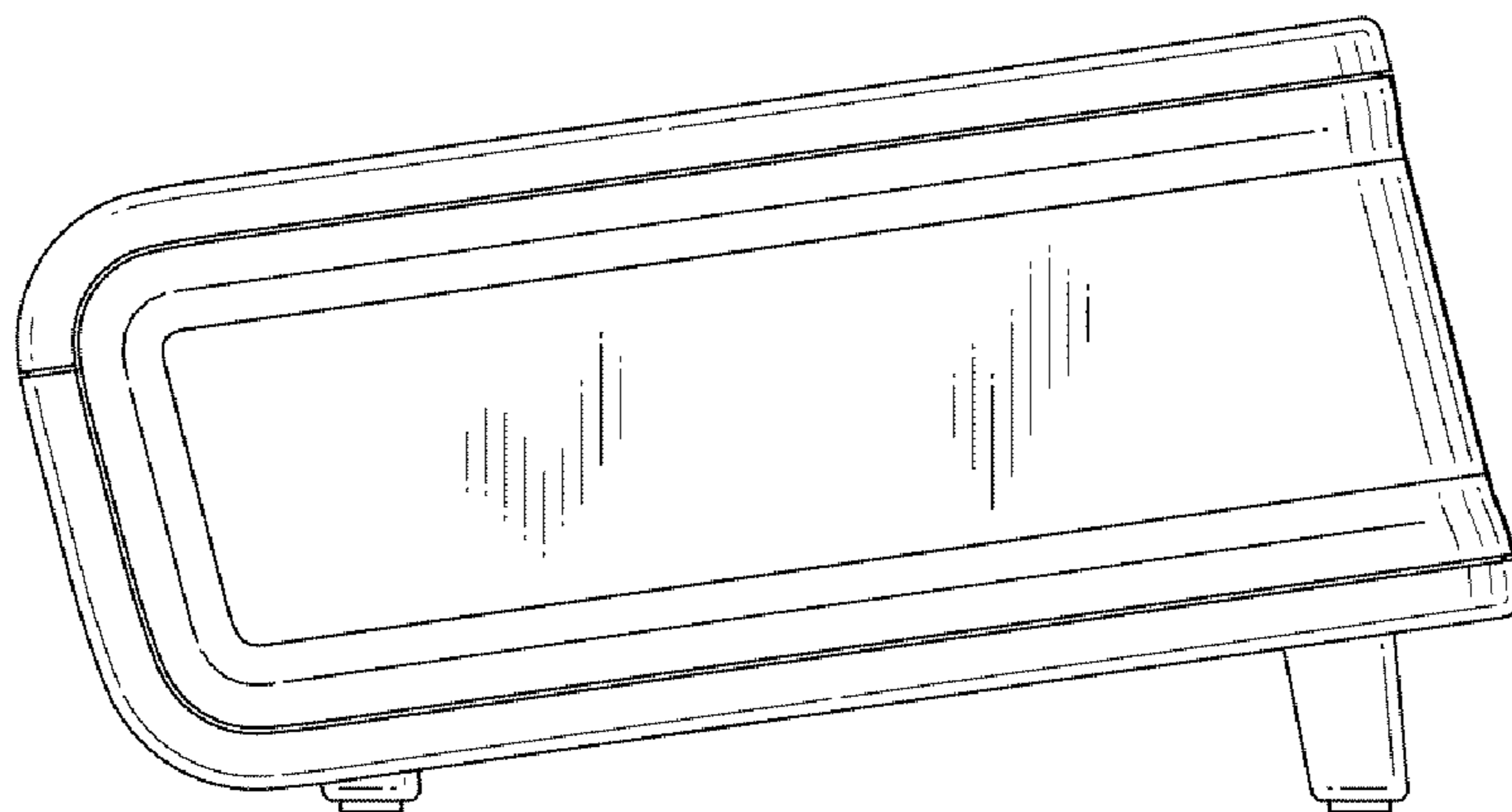


Fig. 8

