



US00D623971S

(12) **United States Design Patent**  
**Stamenkovic et al.**

(10) **Patent No.:** **US D623,971 S**

(45) **Date of Patent:** **\*\* Sep. 21, 2010**

(54) **AIR GAUGE**

(75) Inventors: **Milan Stamenkovic**, Stuttgart (DE);  
**Branco Stanic**, Samobor (HR)

(73) Assignee: **Stotz Feinmesstechnik GmbH**,  
Gerlingen (DE)

(\*\*) Term: **14 Years**

(21) Appl. No.: **29/354,555**

(22) Filed: **Jan. 26, 2010**

**Related U.S. Application Data**

(62) Division of application No. 29/320,459, filed on Jun. 27, 2008, now Pat. No. Des. 611,373.

(30) **Foreign Application Priority Data**

Dec. 28, 2007	(EM)	.....	000859129-0001
Dec. 28, 2007	(EM)	.....	000859129-0002
Dec. 28, 2007	(EM)	.....	000859129-0003
Dec. 28, 2007	(EM)	.....	000859129-0004
Dec. 28, 2007	(EM)	.....	000859129-0005

(51) **LOC (9) Cl.** ..... **10-04**

(52) **U.S. Cl.** ..... **D10/86**

(58) **Field of Classification Search** ..... D10/46,  
D10/86; 73/146, 146.2–146.8  
See application file for complete search history.

(56) **References Cited**

**U.S. PATENT DOCUMENTS**

1,855,088	A *	4/1932	Boenker et al.	.....	73/146.8
4,193,295	A *	3/1980	Curran	.....	73/146.8
4,244,214	A *	1/1981	Curran	.....	73/146.8
D335,465	S *	5/1993	Garrison, III	.....	D10/86
2003/0192371	A1 *	10/2003	Cousineau	.....	73/146

\* cited by examiner

*Primary Examiner*—Antoine D Davis

(74) *Attorney, Agent, or Firm*—Gifford, Krass, Sprinkle,  
Anderson & Citkowski, P.C.

(57) **CLAIM**

The ornamental design for an air gauge, as shown and described.

**DESCRIPTION**

FIG. 1 is an elevational view illustrating a preferred embodiment of the present invention;

FIG. 2 is a top view thereof;

FIG. 3 is a bottom view thereof;

FIG. 4 is a front view thereof, said front view being the same as the rear view;

FIG. 5 is a right side view, the left side view being the same as the right side view;

FIG. 6 is a view taken along circle 6 in FIG. 1 and enlarged for clarity;

FIG. 7 is a view taken along circle 7 in FIG. 4 and enlarged for clarity;

FIG. 8 is a view taken along circle 8 in FIG. 5 and enlarged for clarity;

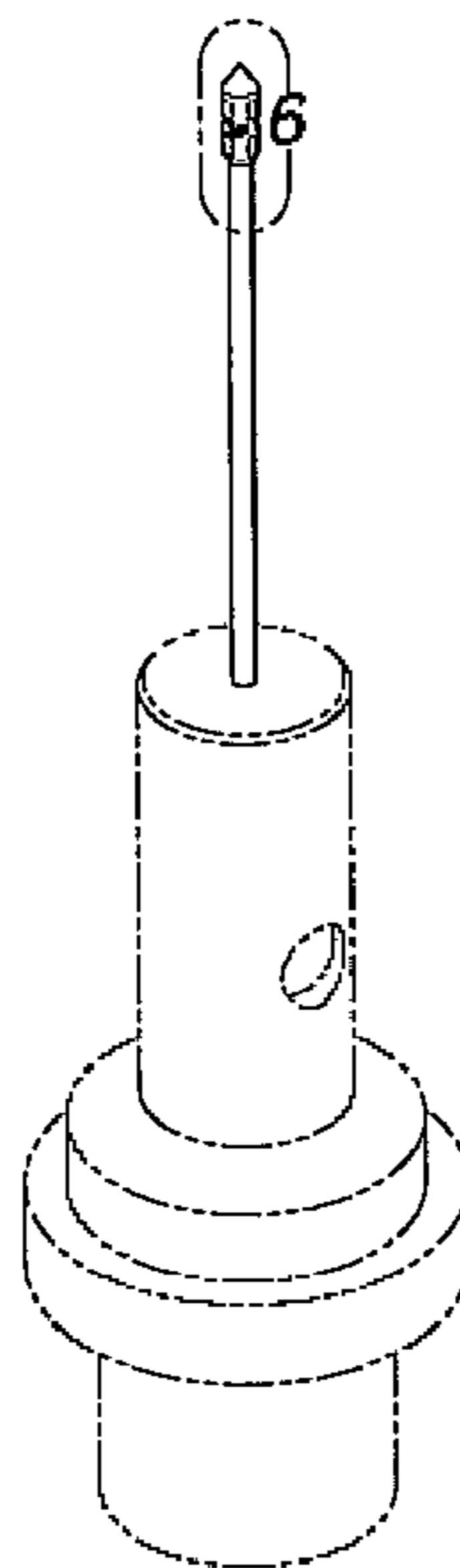
FIG. 9 is a view similar to FIG. 6, but illustrating a modification thereof;

FIG. 10 is a view similar to FIG. 7, but illustrating a modification thereof; and,

FIG. 11 is a view similar to FIG. 8, but illustrating a modification thereof.

The broken line showing of the air gauge's base portion is included for the purpose of illustrating non-claimed subject matter and forms no part of the claimed design.

**1 Claim, 3 Drawing Sheets**



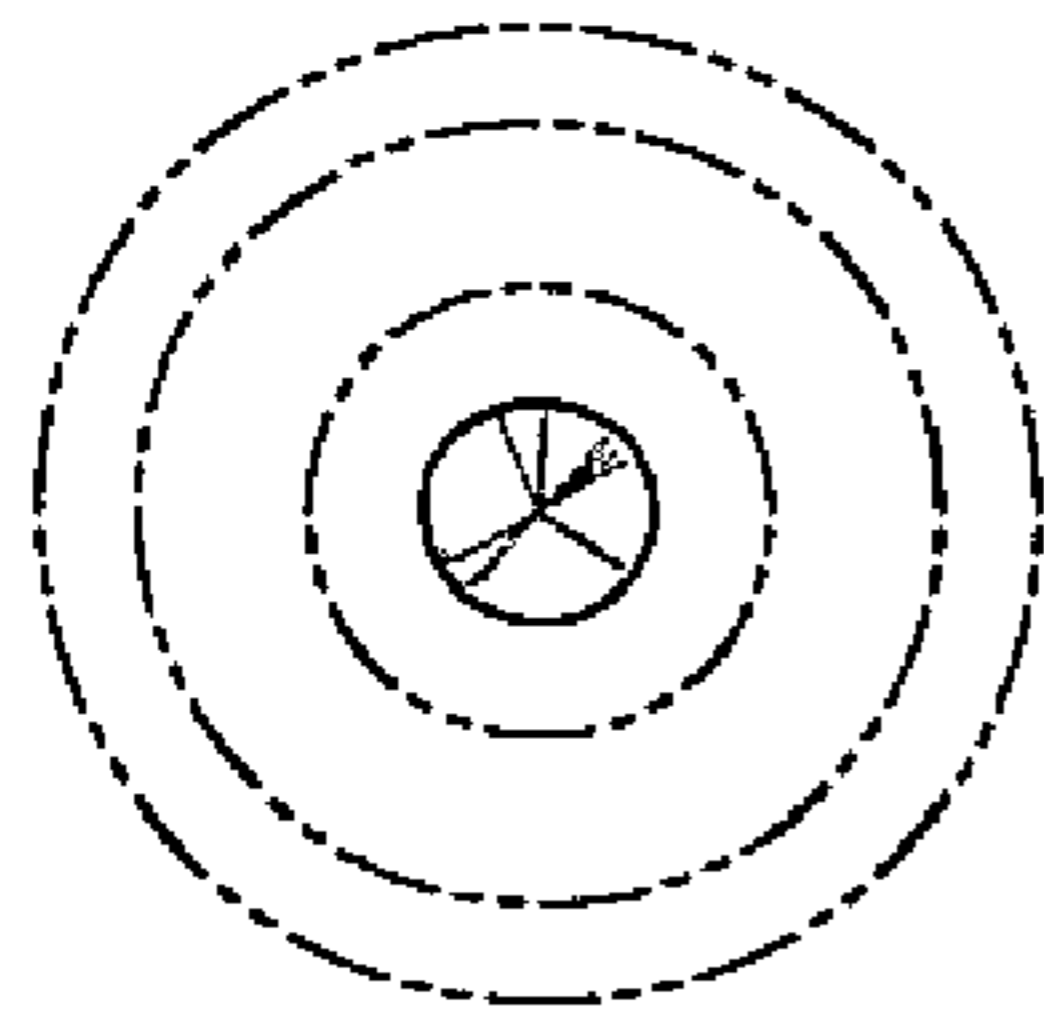


Fig-2

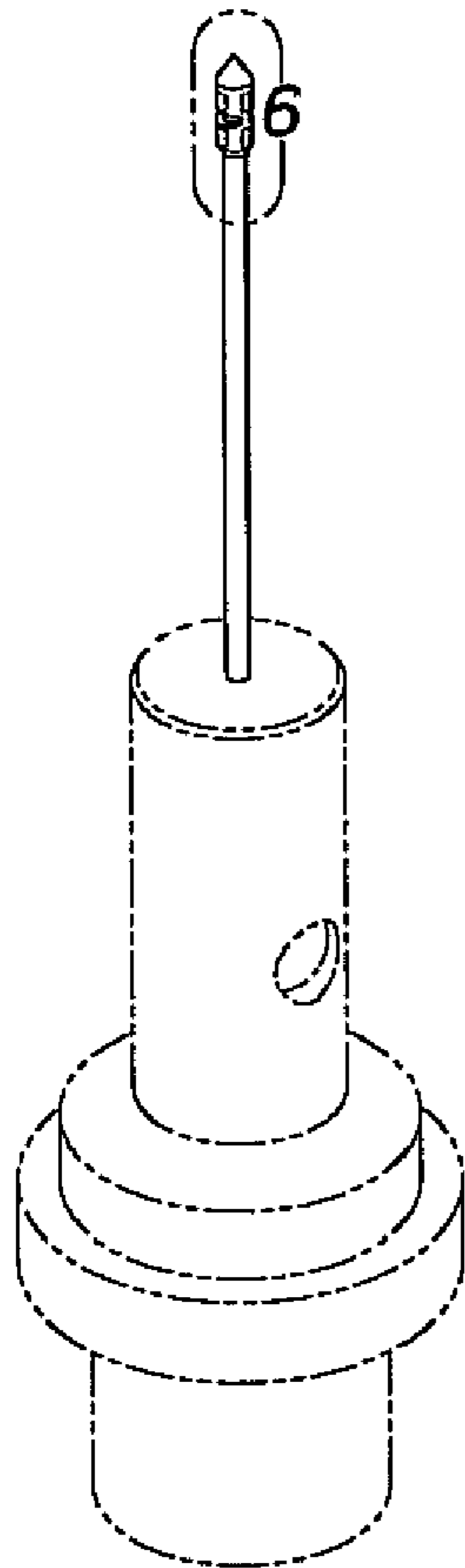


Fig-1

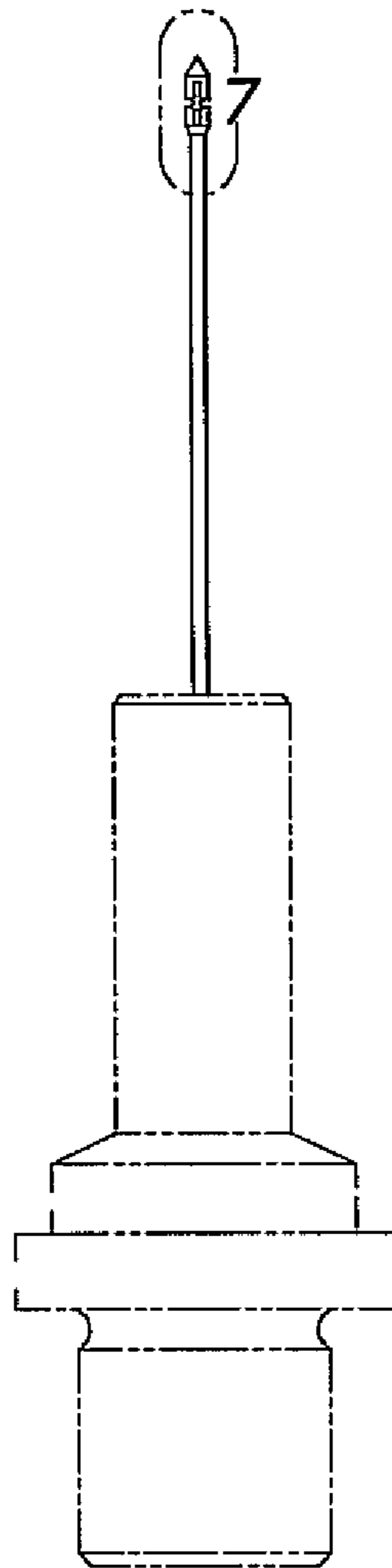


Fig-4

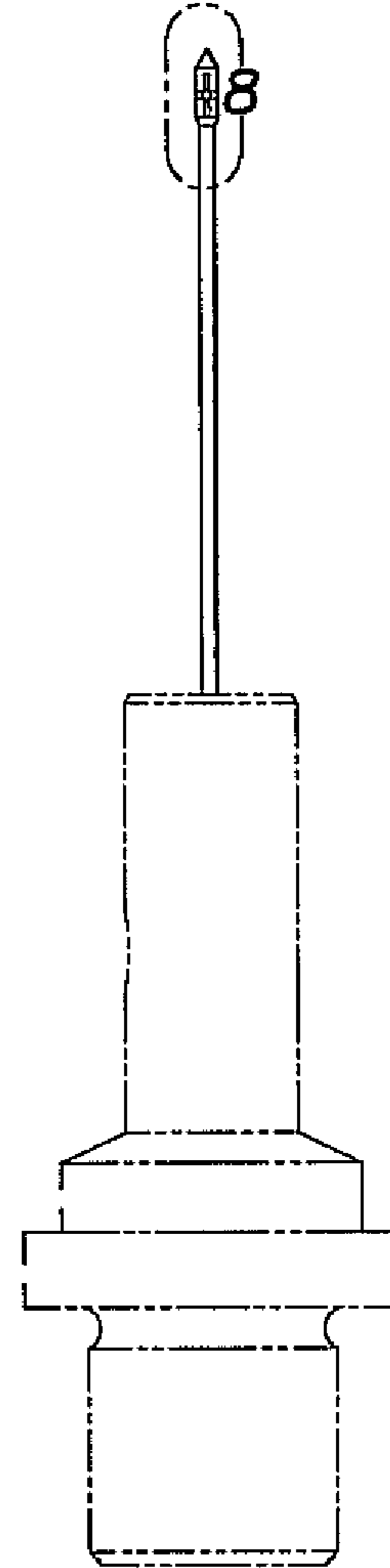


Fig-5

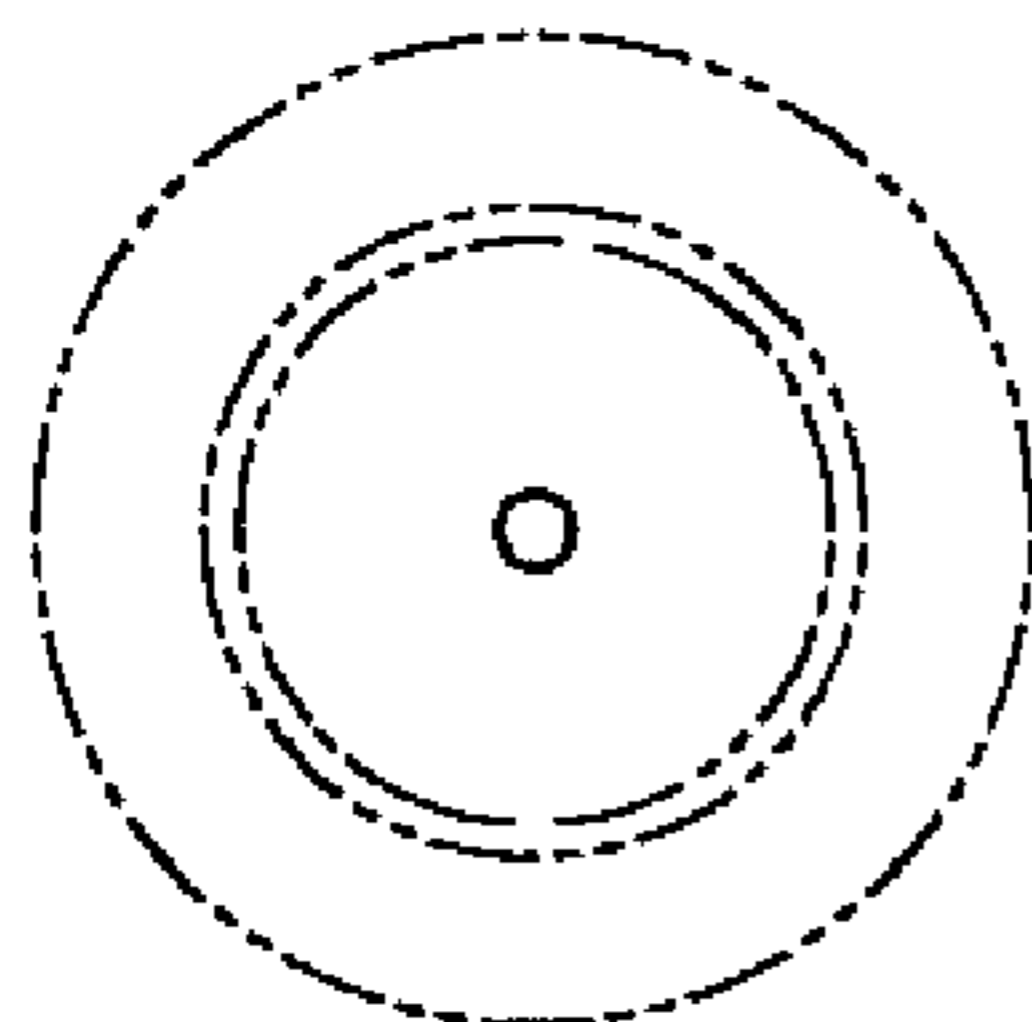


Fig-3

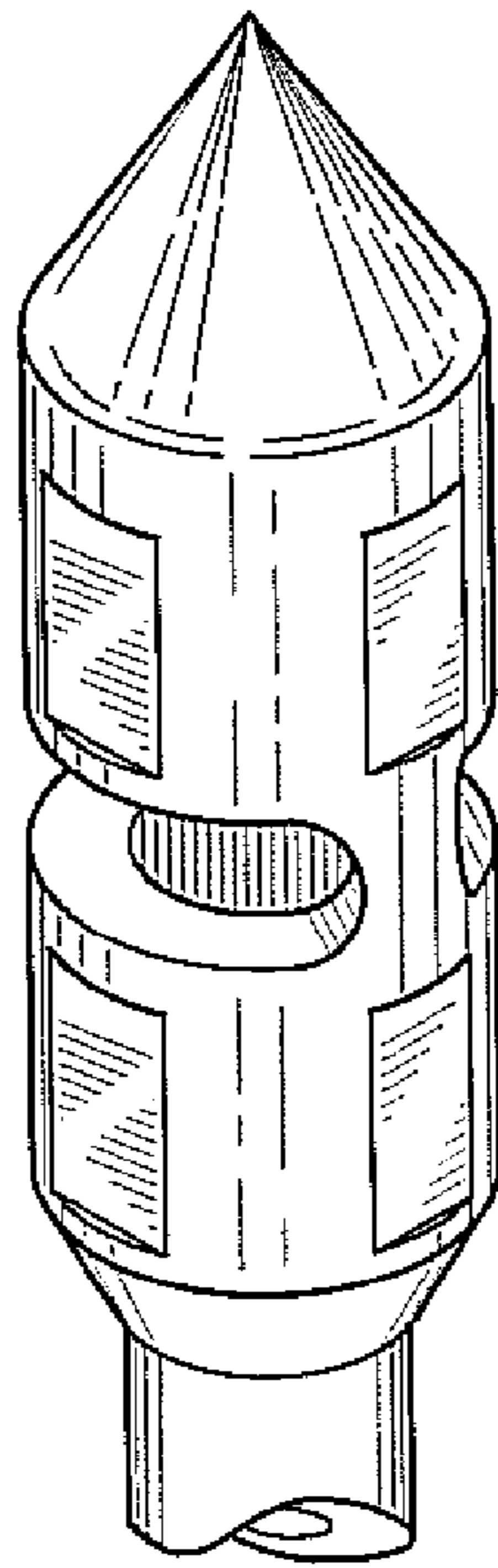


Fig-6

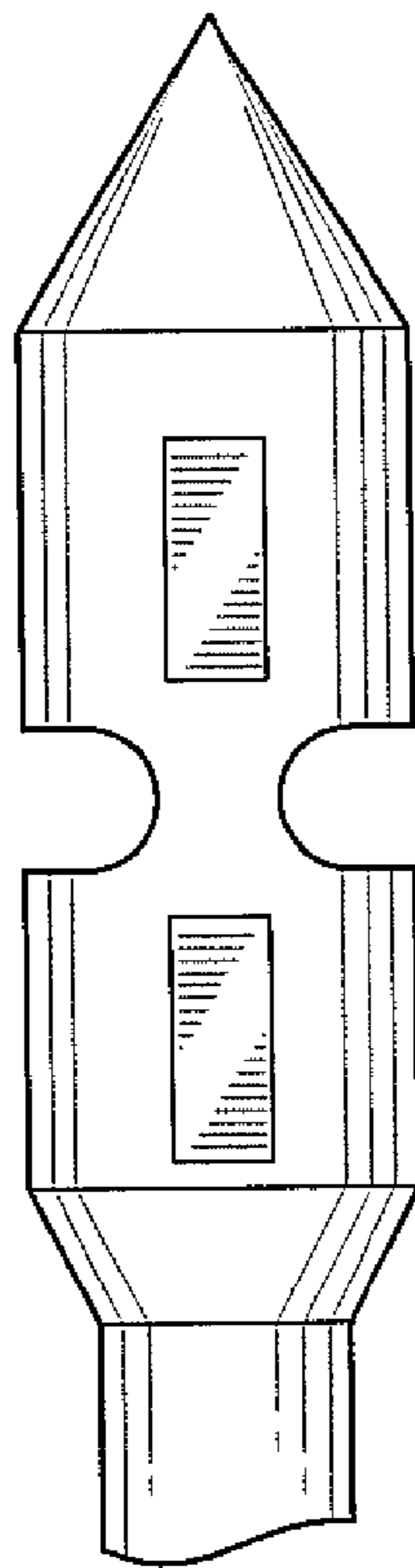


Fig-7

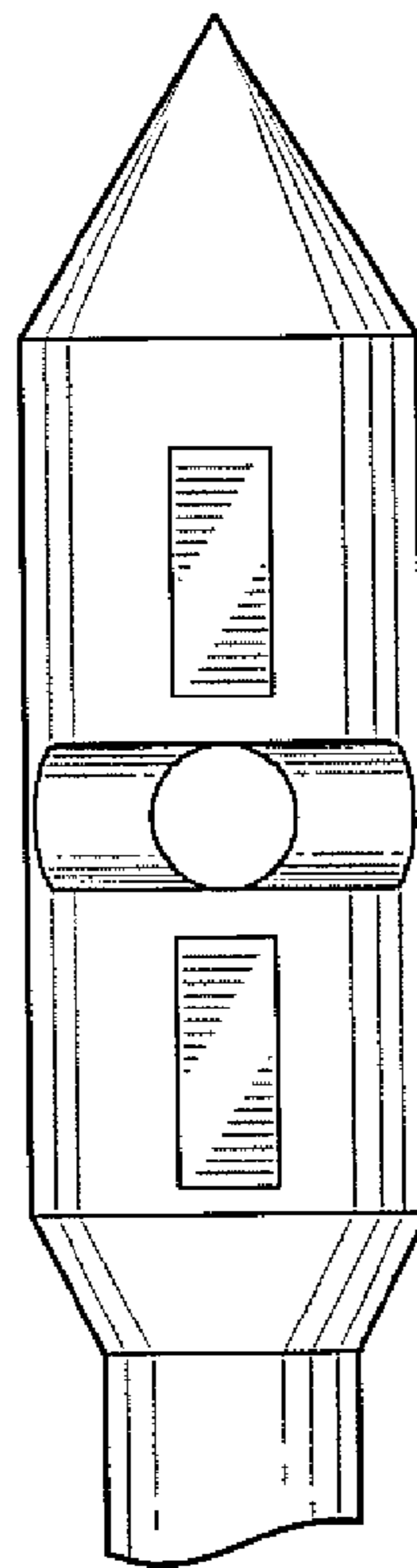


Fig-8

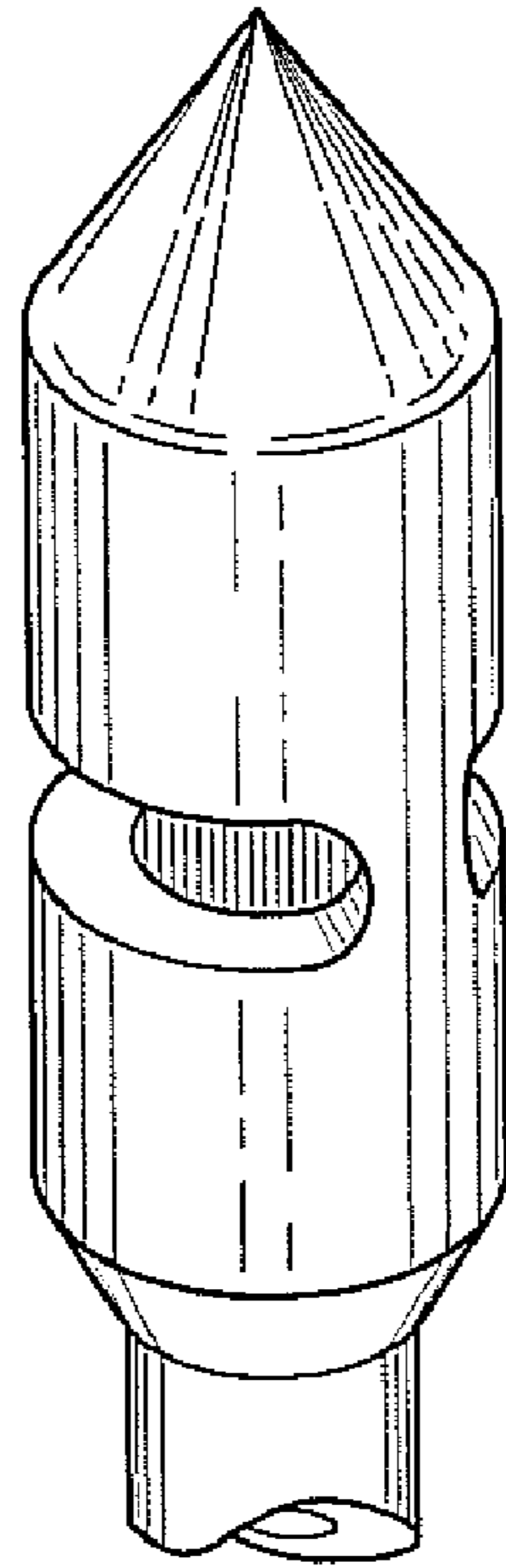


Fig-9

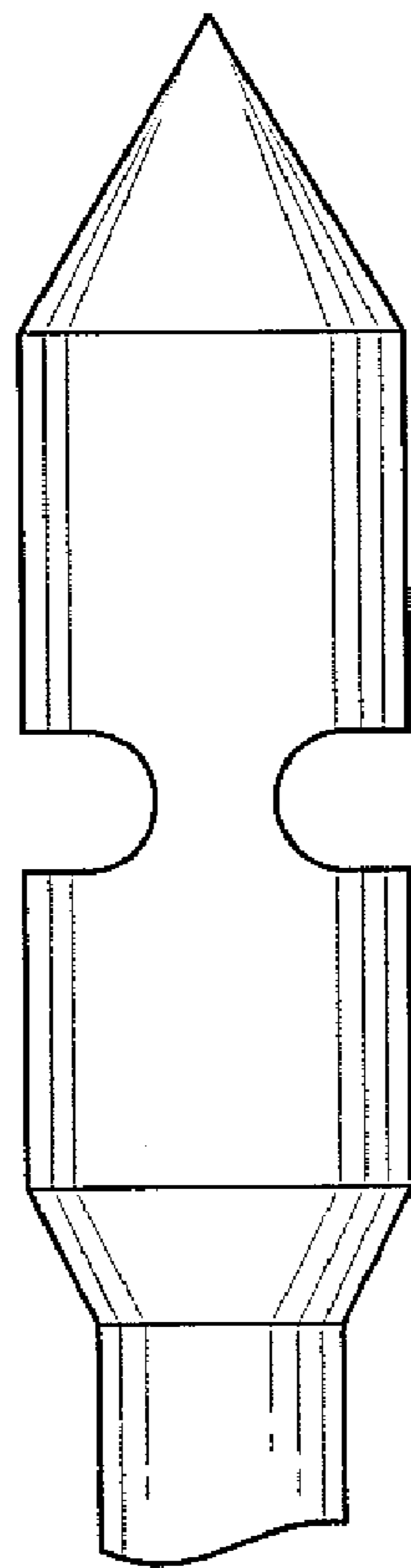


Fig-10

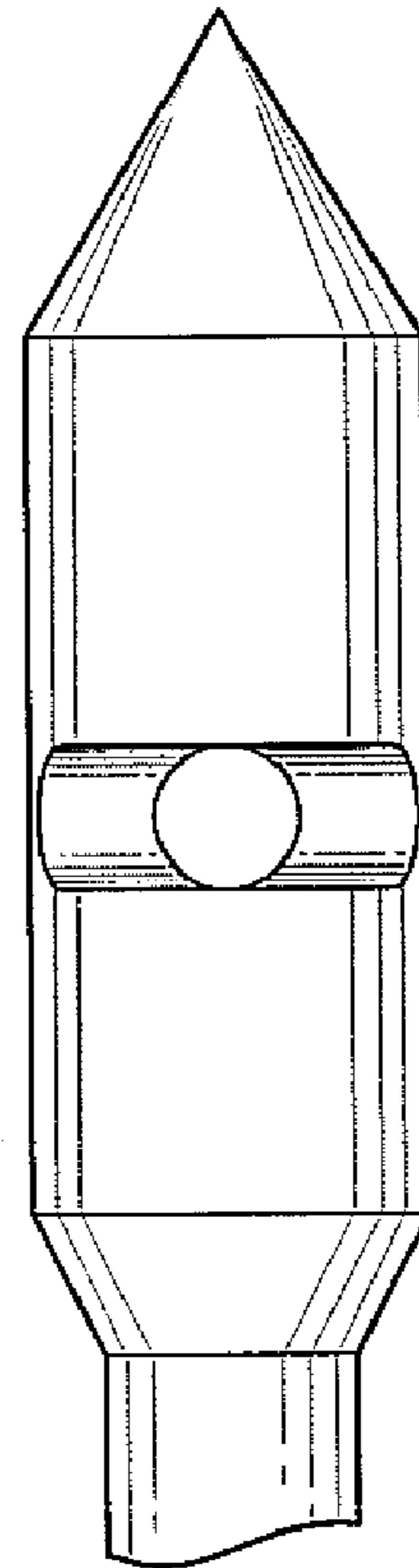


Fig-11