



US00D623968S

(12) **United States Design Patent**
Roness

(10) **Patent No.:** **US D623,968 S**

(45) **Date of Patent:** **** Sep. 21, 2010**

(54) **SCORE CARD HOLDER**

7,404,373 B2 * 7/2008 Bailey 116/223
D596,053 S * 7/2009 Daicos D10/46.1

(76) Inventor: **Bjorn Roness**, Halandsvegen 19,
Torvastad (NO) 4260

* cited by examiner

(**) Term: **14 Years**

Primary Examiner—Prabhakar Deshmukh
(74) *Attorney, Agent, or Firm*—Andrus, Scales, Starke &
Sawall, LLP

(21) Appl. No.: **29/360,827**

(22) Filed: **Apr. 30, 2010**

(57) **CLAIM**

(30) **Foreign Application Priority Data**

I claim the ornamental design for a score card holder, as shown and described.

Nov. 12, 2009 (NO) 20090584

DESCRIPTION

(51) **LOC (9) Cl.** **21-01**

FIG. 1 is a front perspective view of a score card holder showing my new design, shown in a closed position;

(52) **U.S. Cl.** **D10/46.1; D21/329**

FIG. 2 is a front elevational view thereof;

(58) **Field of Classification Search** D10/46,
D10/46.1; D21/324, 329, 330, 333; 116/222–225;
463/29–35, 45, 47; 273/148 B; 434/128,
434/308, 314; 224/918, 921; 235/90
See application file for complete search history.

FIG. 3 is a rear elevational view thereof;

FIG. 4 is a top plan view thereof;

FIG. 5 is a bottom plan view thereof;

FIG. 6 is a right side elevational view thereof;

FIG. 7 is a left side elevational view thereof;

FIG. 8 is a front perspective view thereof, shown in partially open position; and,

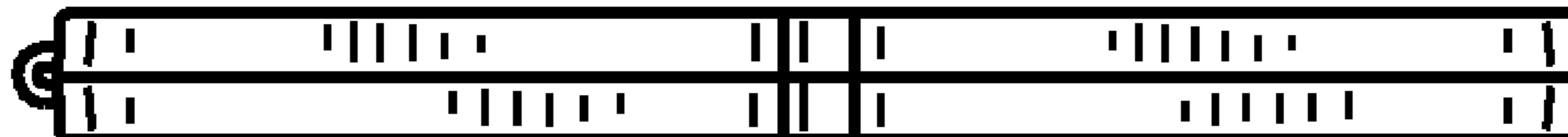
FIG. 9 is a front perspective view thereof, with fully open position.

(56) **References Cited**

U.S. PATENT DOCUMENTS

2,541,423 A * 2/1951 Kirtogian 235/127
3,823,944 A * 7/1974 Stubbmann 273/281
4,331,425 A * 5/1982 Davis, Jr. 434/252
D289,600 S * 5/1987 Thomas D8/36
D436,541 S * 1/2001 Scott et al. D10/46.1
D521,397 S * 5/2006 Willmarth D10/46.1

1 Claim, 5 Drawing Sheets



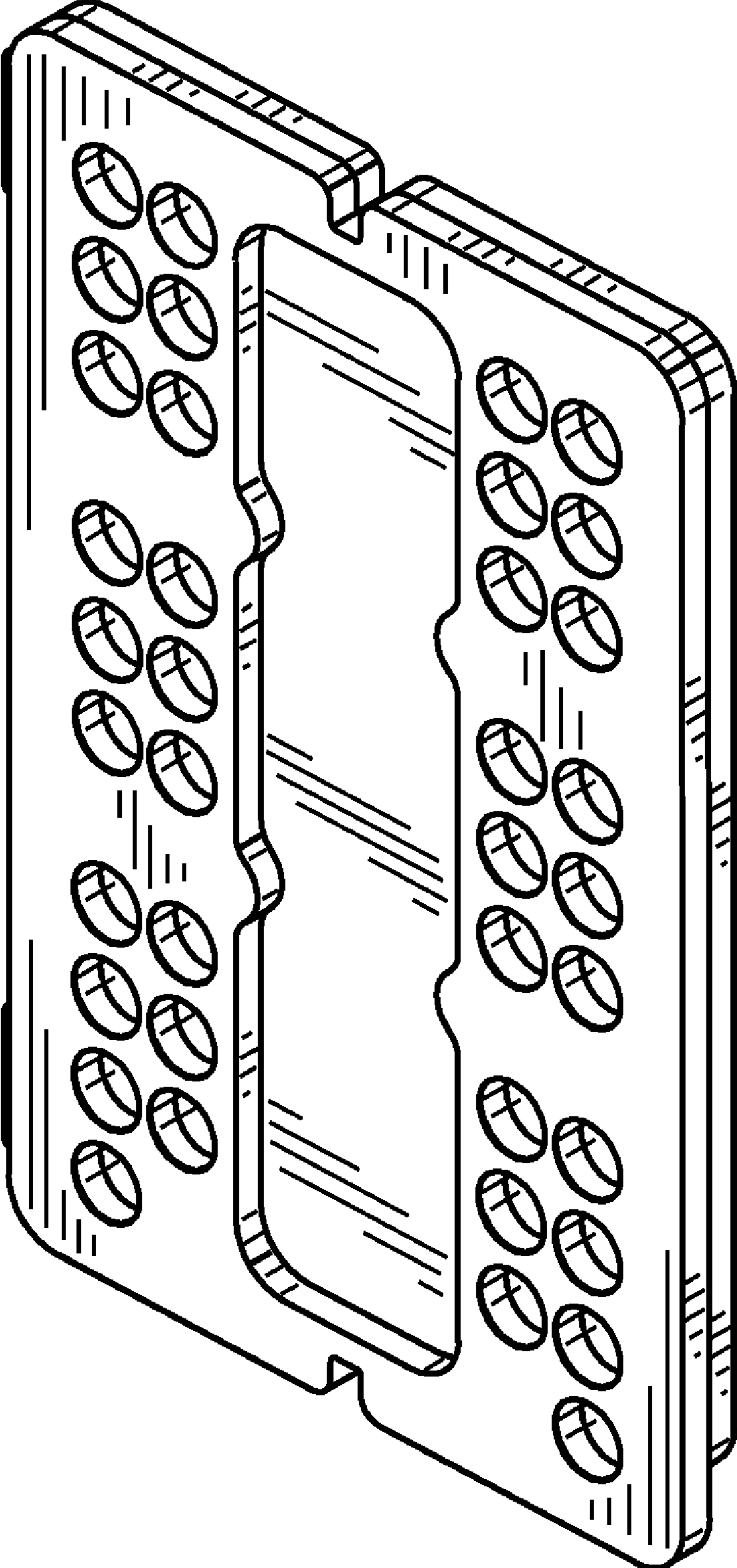


FIG. 1

FIG. 2

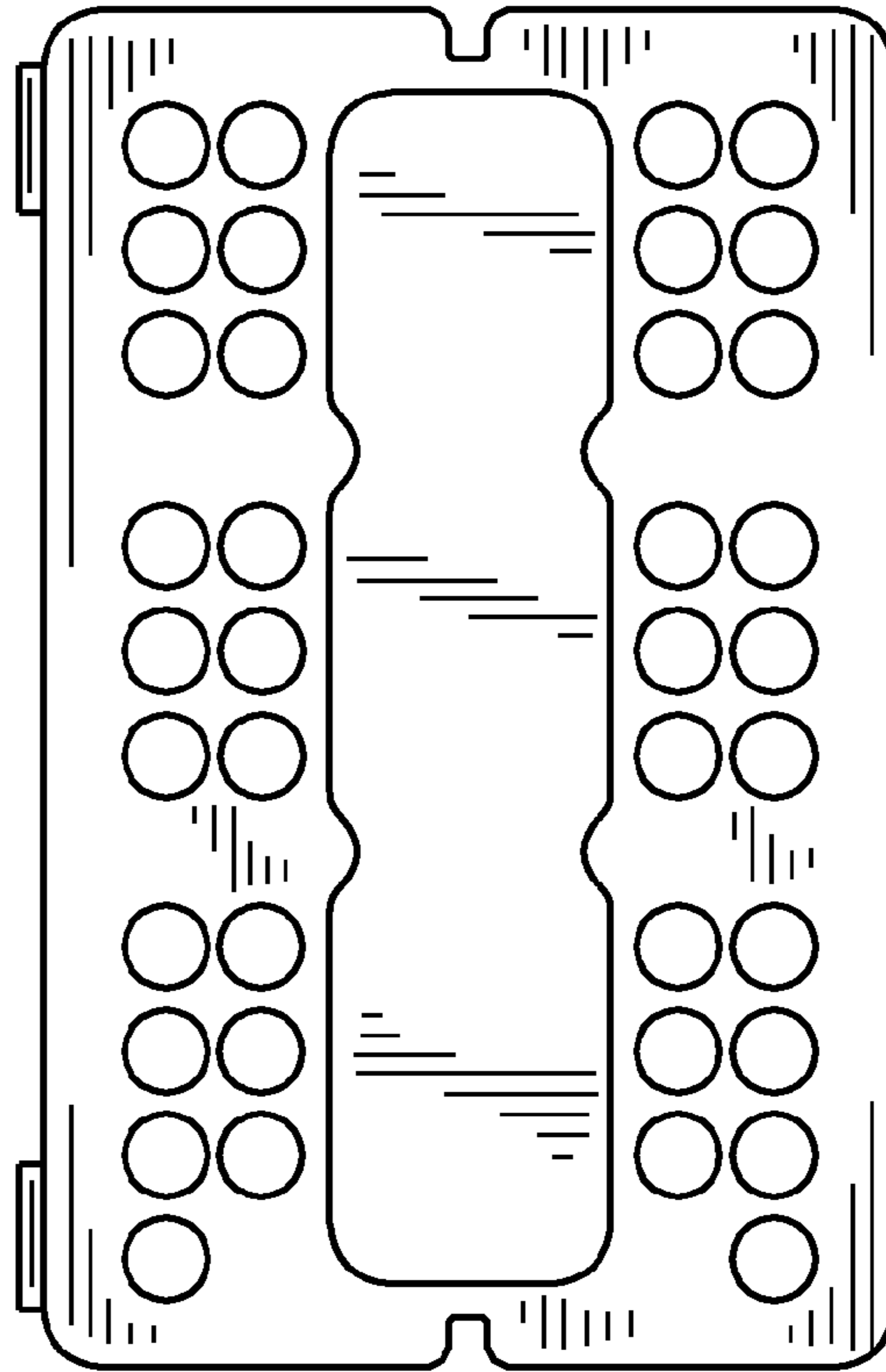
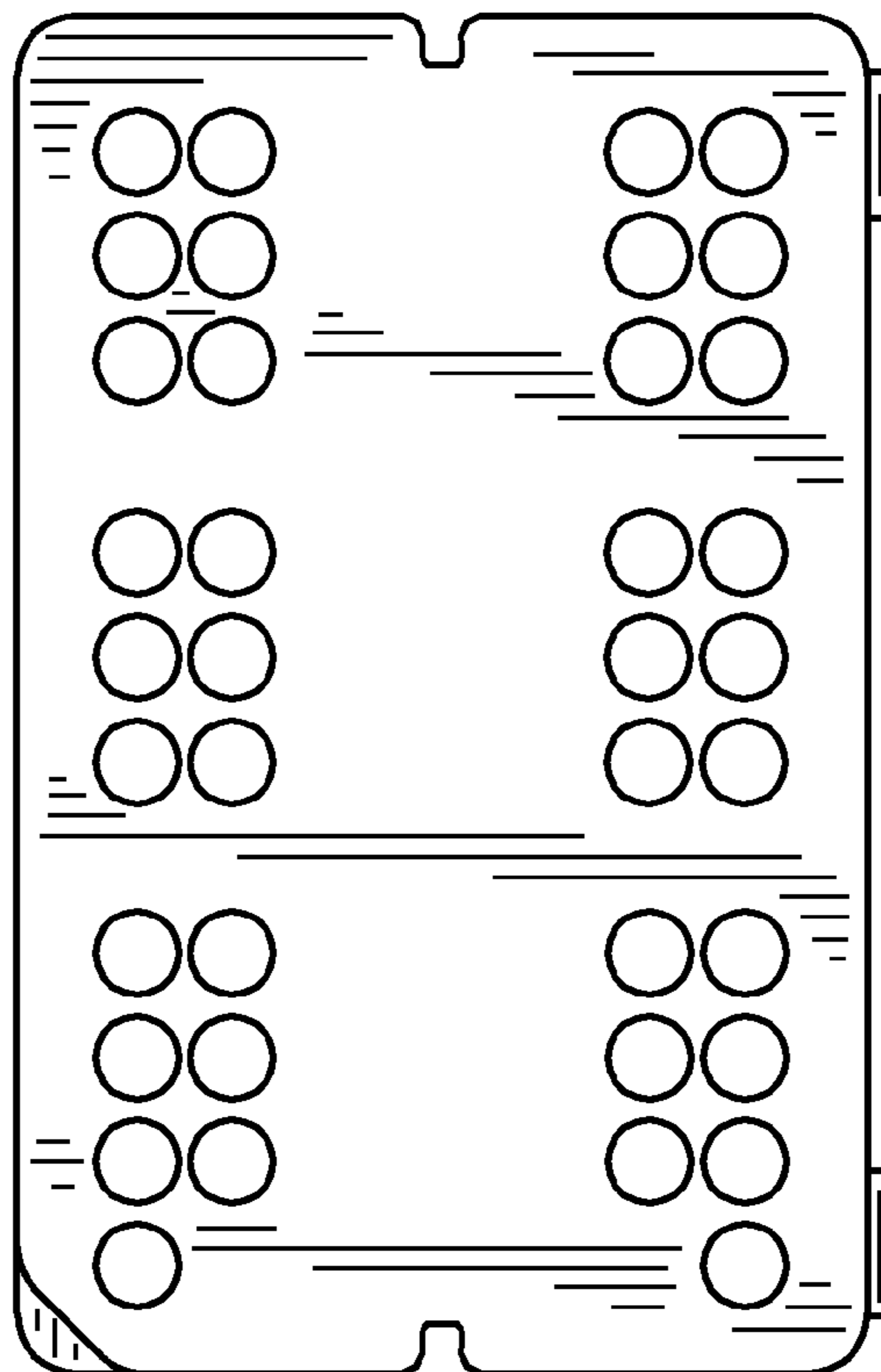


FIG. 3



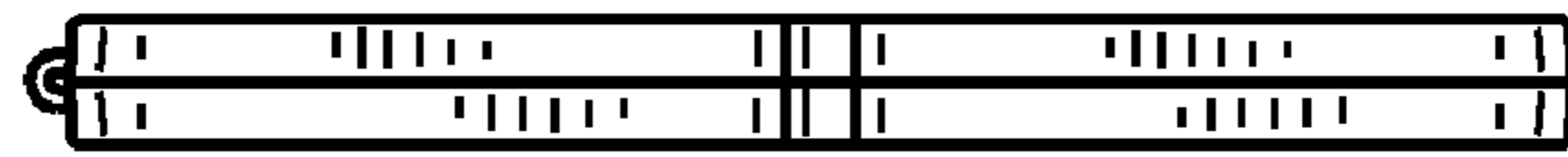


FIG. 4

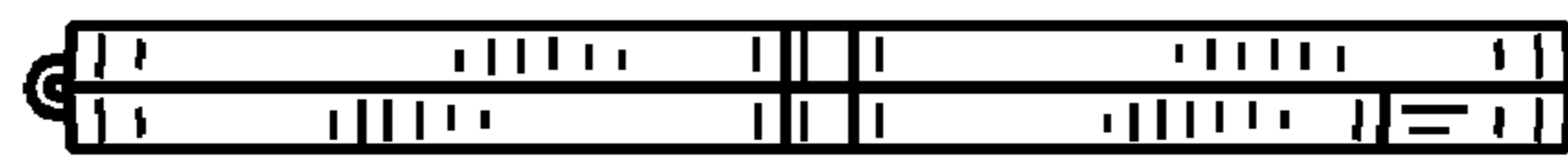


FIG. 5



FIG. 6

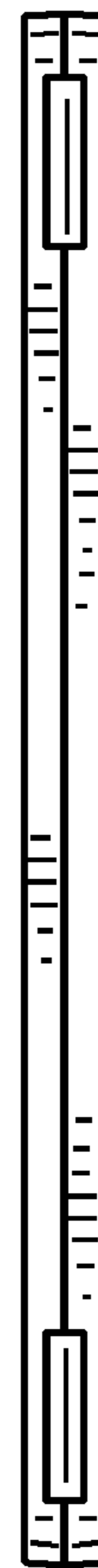


FIG. 7

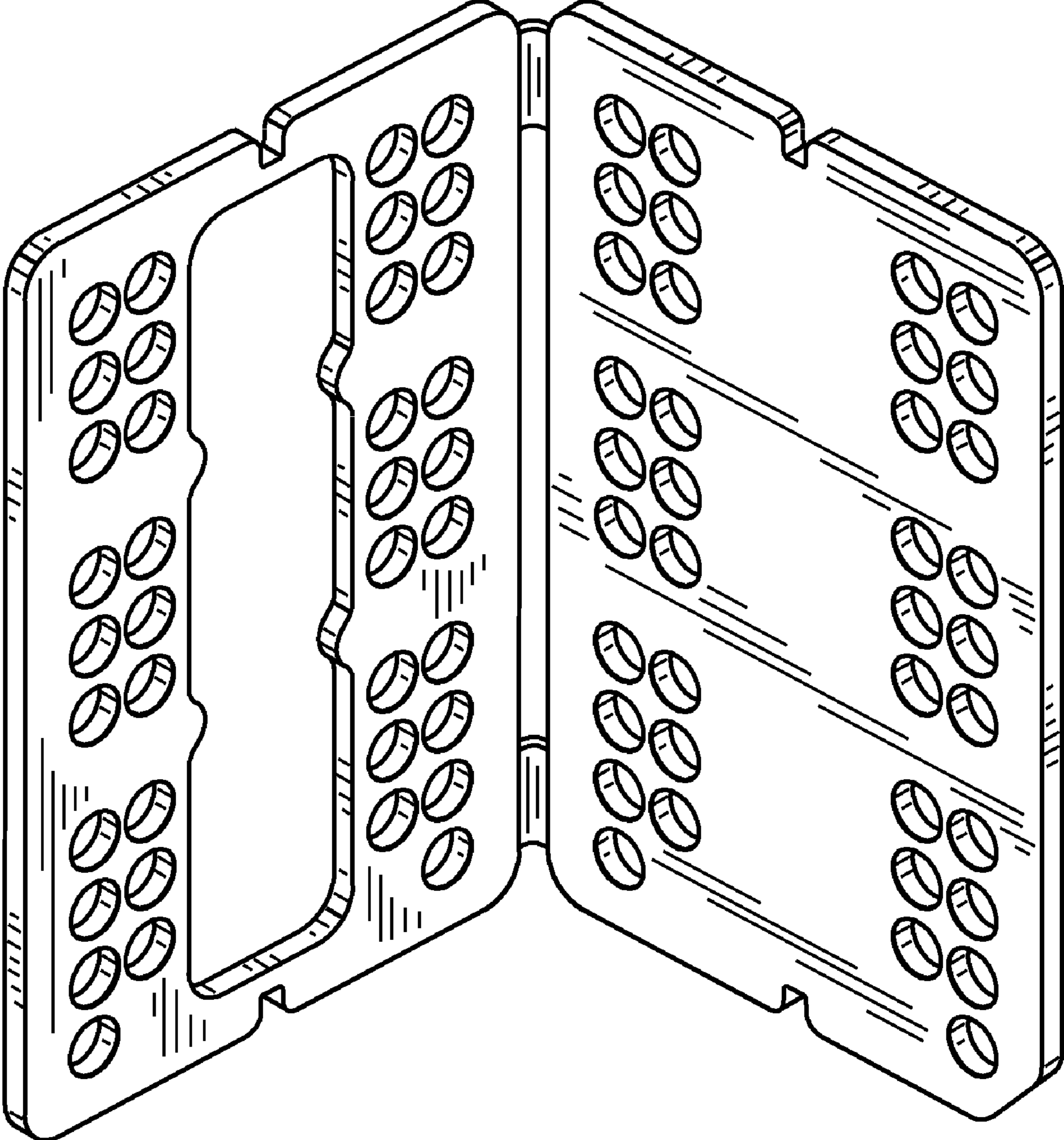


FIG. 8

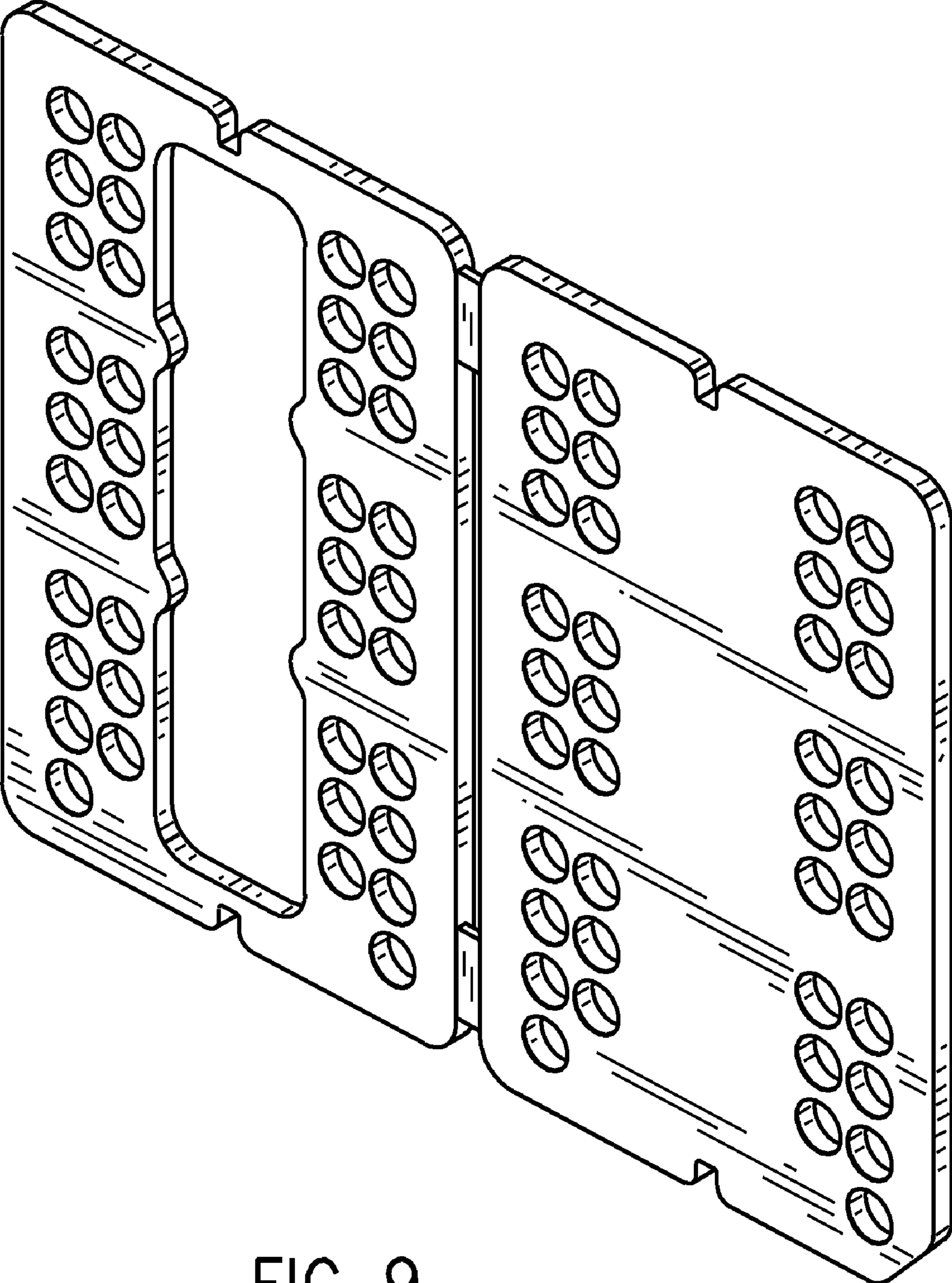


FIG. 9