



US00D623965S

(12) **United States Design Patent**  
**Sullivan et al.**

(10) **Patent No.:** **US D623,965 S**

(45) **Date of Patent:** **\*\* Sep. 21, 2010**

(54) **WATCH**

(75) Inventors: **Jason Sullivan**, Tampa, FL (US);  
**Jeffreys R. Nichols**, Sarasota, FL (US)

(73) Assignee: **Guardianlion Wireless, LLC**, Tampa,  
FL (US)

(\*\*) Term: **14 Years**

(21) Appl. No.: **29/345,400**

(22) Filed: **Oct. 15, 2009**

(51) **LOC (9) Cl.** ..... **10-02**

(52) **U.S. Cl.** ..... **D10/32; D10/31**

(58) **Field of Classification Search** ..... D10/30–39;  
368/276, 278, 281, 282, 285, 10; D24/165;  
D14/344, 138 R

See application file for complete search history.

(56) **References Cited**

**U.S. PATENT DOCUMENTS**

D263,452 S *	3/1982	Wada	.....	D10/38
D265,295 S *	7/1982	Wada	.....	D10/38
D296,675 S *	7/1988	Jones et al.	.....	D10/31
D297,312 S *	8/1988	Ishizaka	.....	D10/32
D297,416 S *	8/1988	Saito	.....	D10/32
D298,610 S *	11/1988	Young	.....	D10/32
4,853,682 A *	8/1989	Asano et al.	.....	345/169
D303,769 S *	10/1989	Ando	.....	D10/38
D319,590 S *	9/1991	Houlihan	.....	D10/31
D320,166 S *	9/1991	Shell	.....	D10/32
D331,020 S *	11/1992	Ishii et al.	.....	D10/31
D331,021 S *	11/1992	Ishii et al.	.....	D10/31

D356,151 S *	3/1995	Ishii et al.	.....	D24/165
D366,036 S *	1/1996	Houlihan	.....	D14/344
D426,637 S *	6/2000	Ochi et al.	.....	D24/165
D460,430 S *	7/2002	Wada et al.	.....	D14/138 R
D466,879 S *	12/2002	Wada et al.	.....	D14/138 R
6,564,075 B1 *	5/2003	Mitamura	.....	455/575.1
D501,836 S *	2/2005	Lowinger	.....	D14/138 R
D506,149 S *	6/2005	Junod	.....	D10/32
D527,657 S *	9/2006	Wilcox et al.	.....	D10/38
D549,602 S *	8/2007	Oberrieder et al.	.....	D10/65
D558,067 S *	12/2007	Carbonatto	.....	D10/38
D596,510 S *	7/2009	Register et al.	.....	D10/38
D596,610 S *	7/2009	Hou	.....	D14/144

\* cited by examiner

*Primary Examiner*—Lucy Lieberman

(74) *Attorney, Agent, or Firm*—Fowler White Boggs P.A.;  
Christopher Paradies

(57) **CLAIM**

The ornamental design for a watch, as shown and described.

**DESCRIPTION**

FIG. 1 is a right side view of a watch, showing my new design;

FIG. 2 is a left side view, thereof;

FIG. 3 is a front and right side perspective view thereof;

FIG. 4 is a front and left side perspective view thereof;

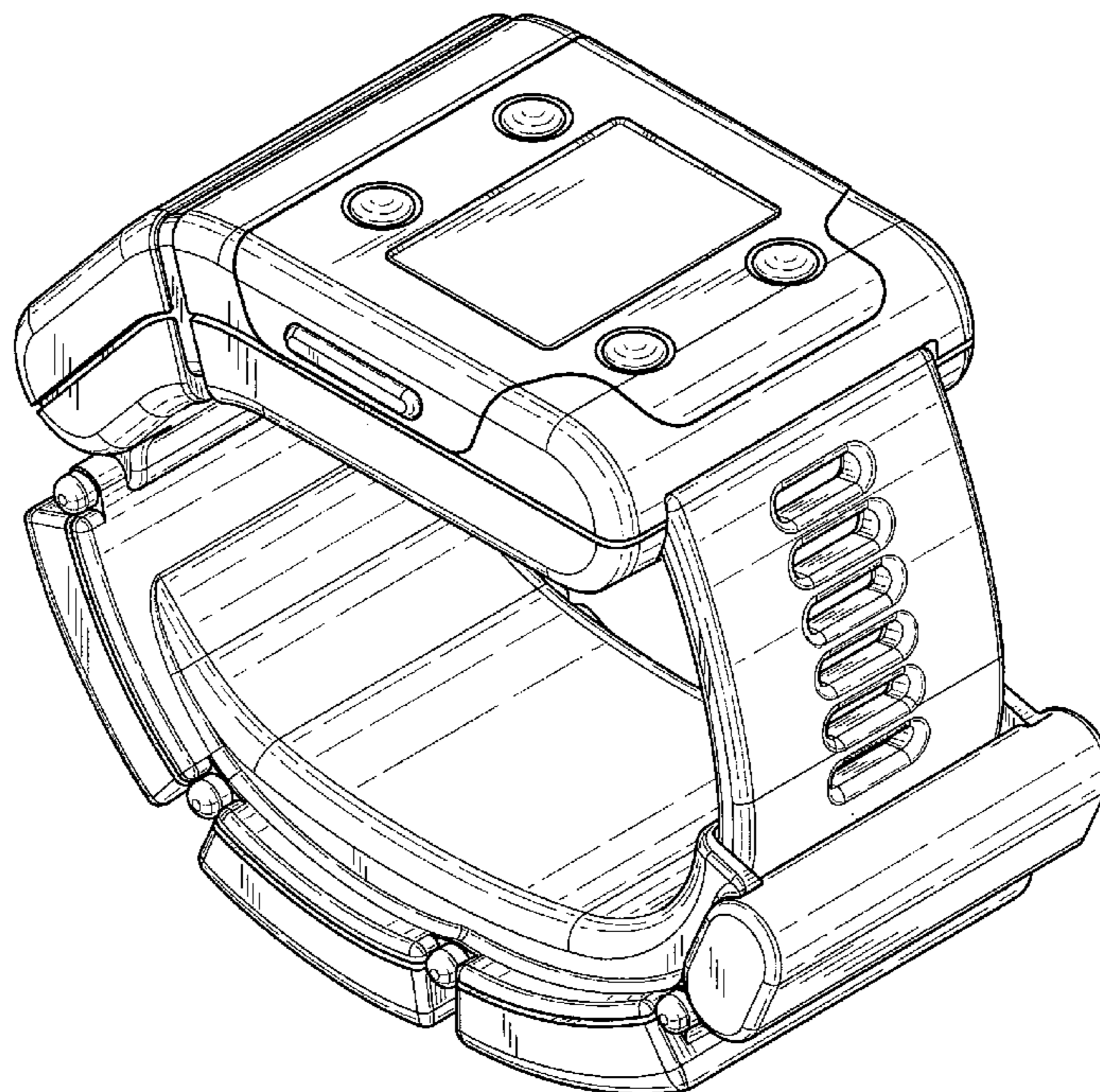
FIG. 5 is a bottom view thereof;

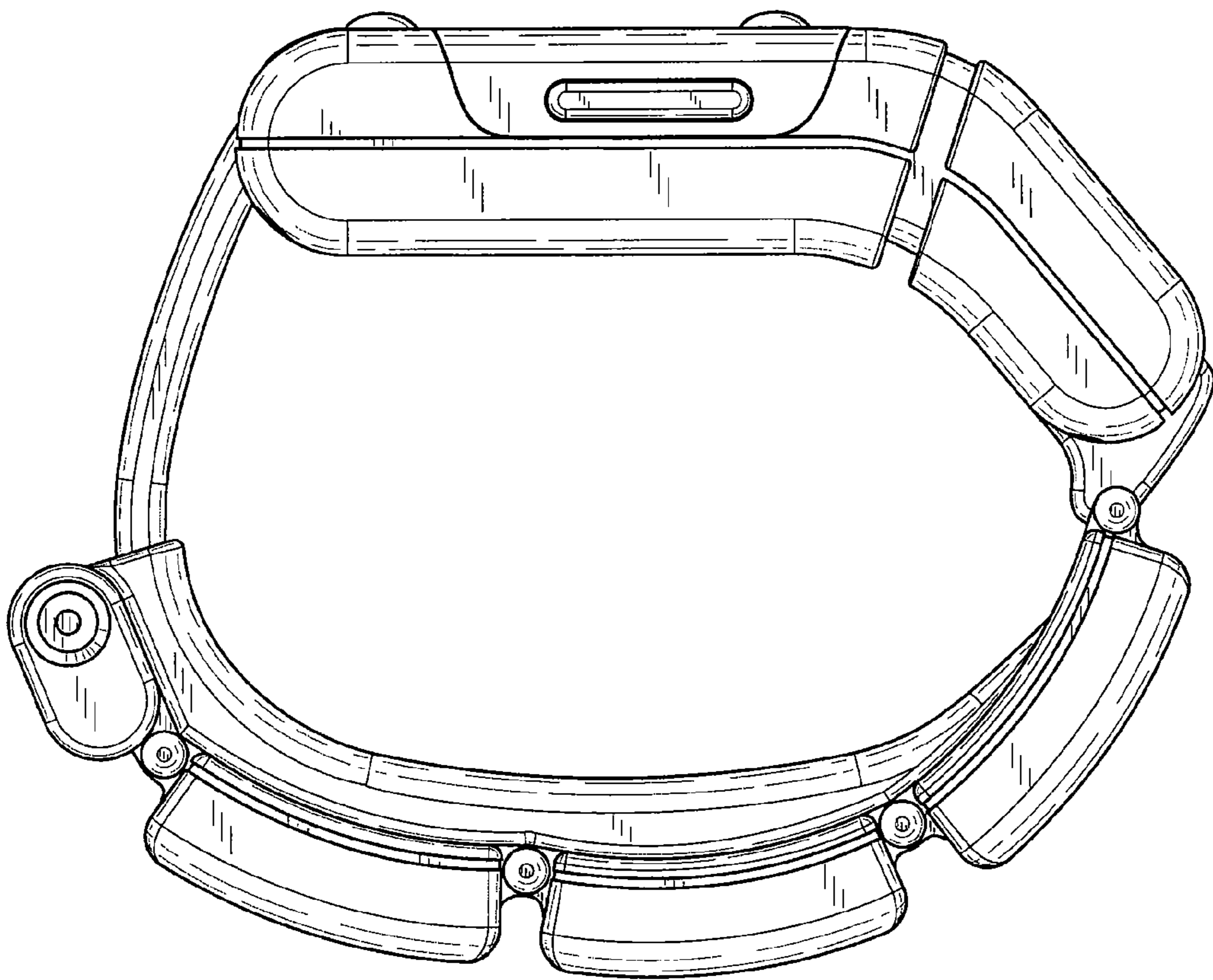
FIG. 6 is a top view thereof;

FIG. 7 is a rear view thereof; and,

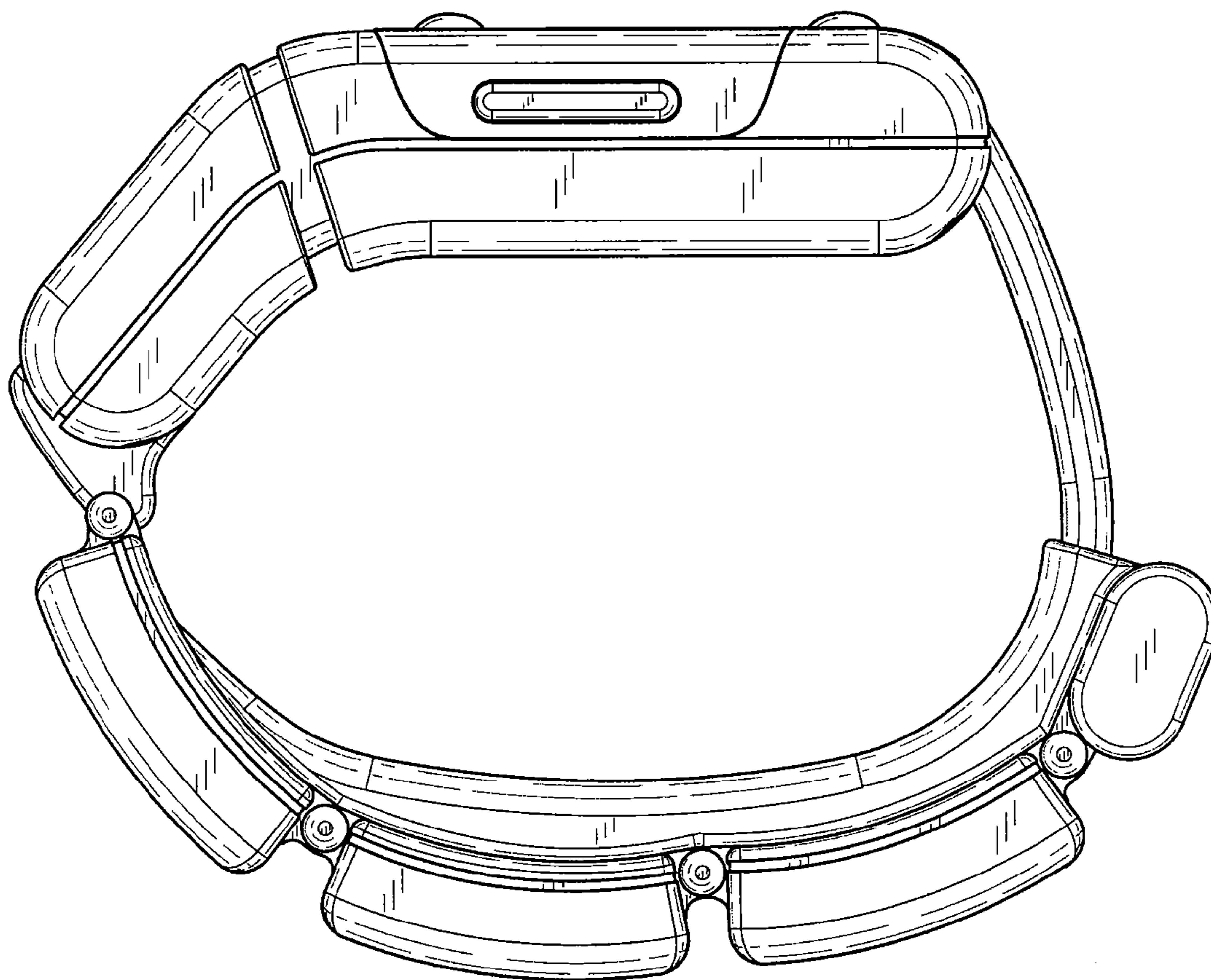
FIG. 8 is a front view thereof.

**1 Claim, 8 Drawing Sheets**

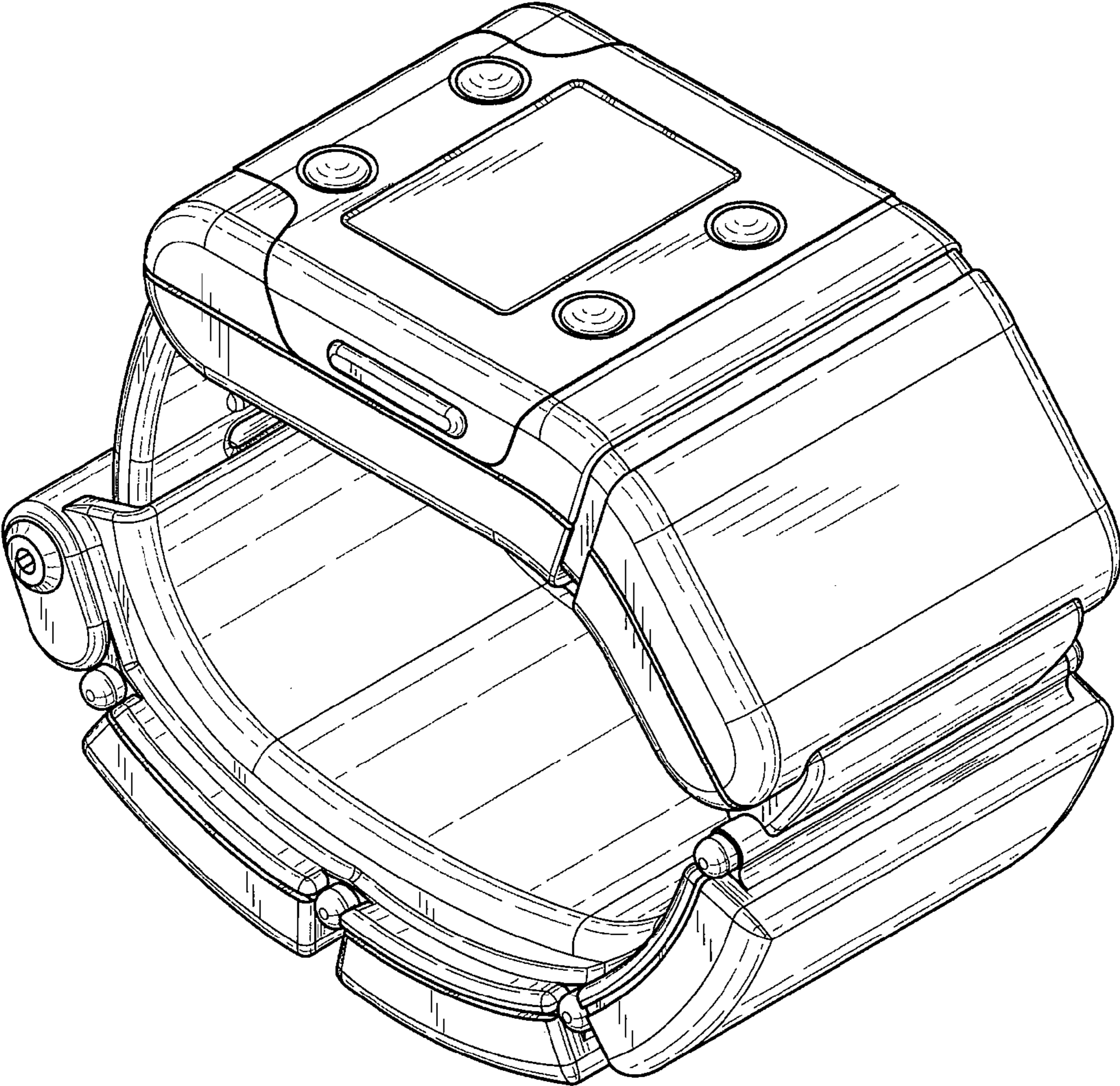




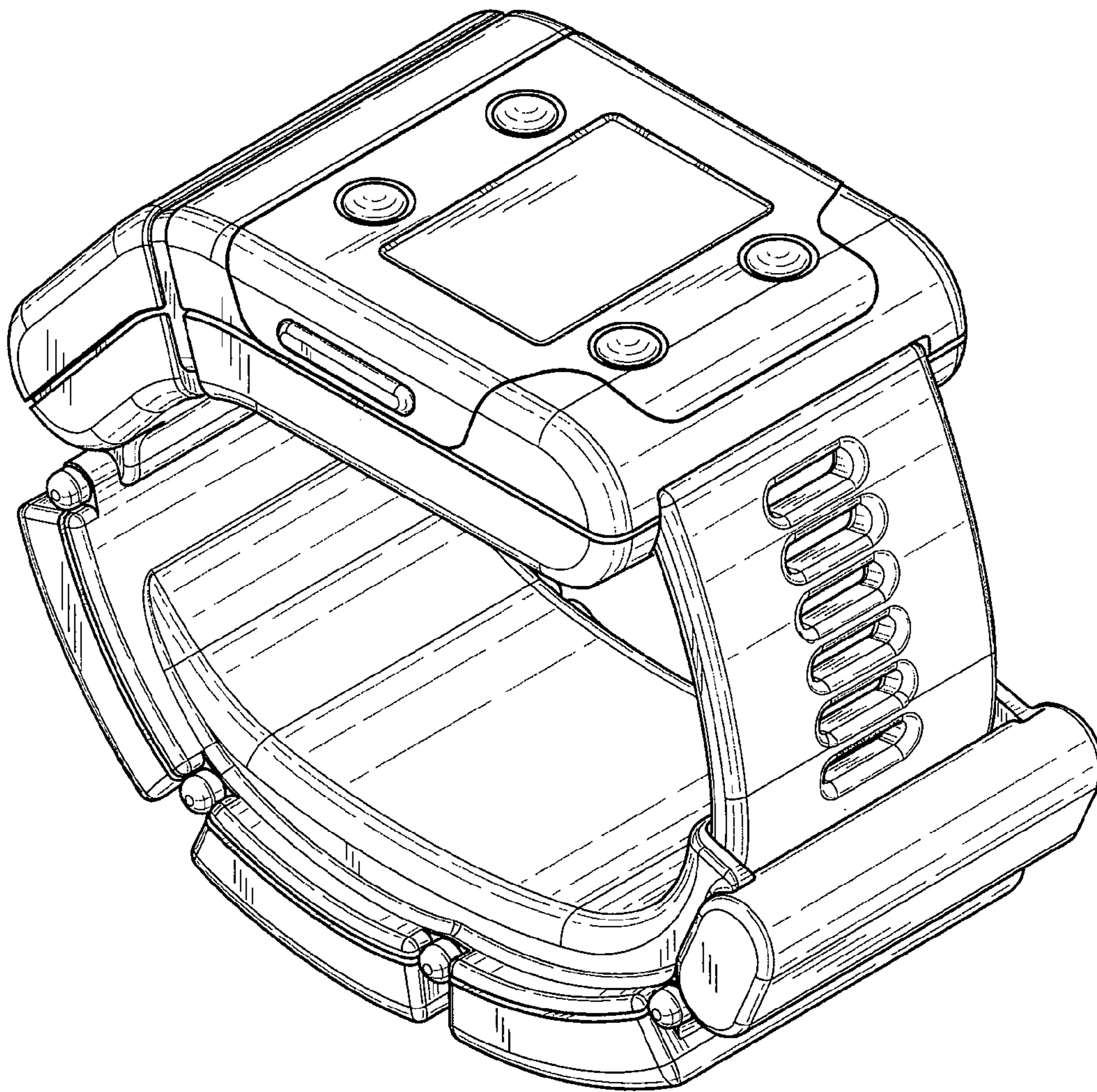
*Fig. 1*



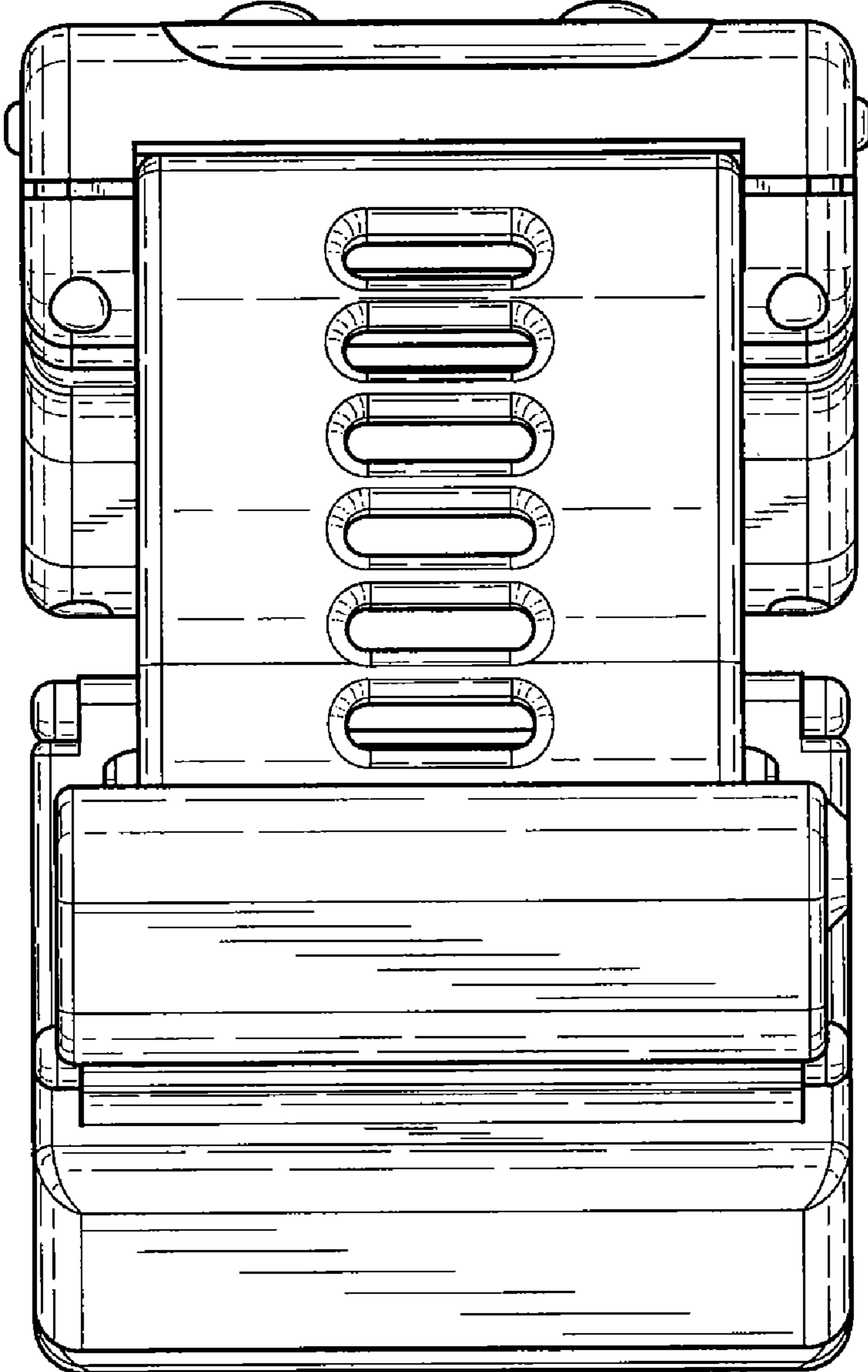
*Fig. 2*



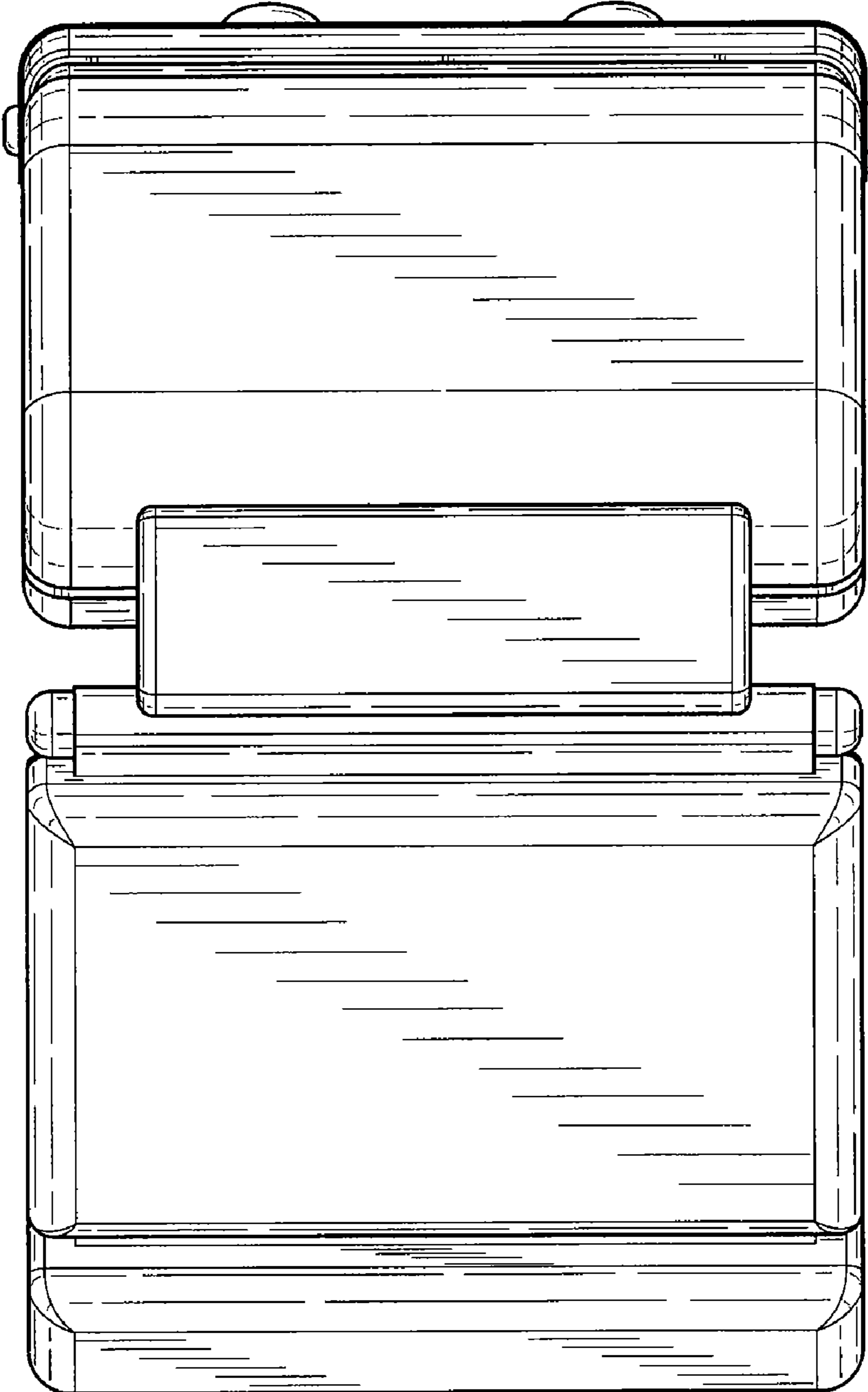
*Fig. 3*



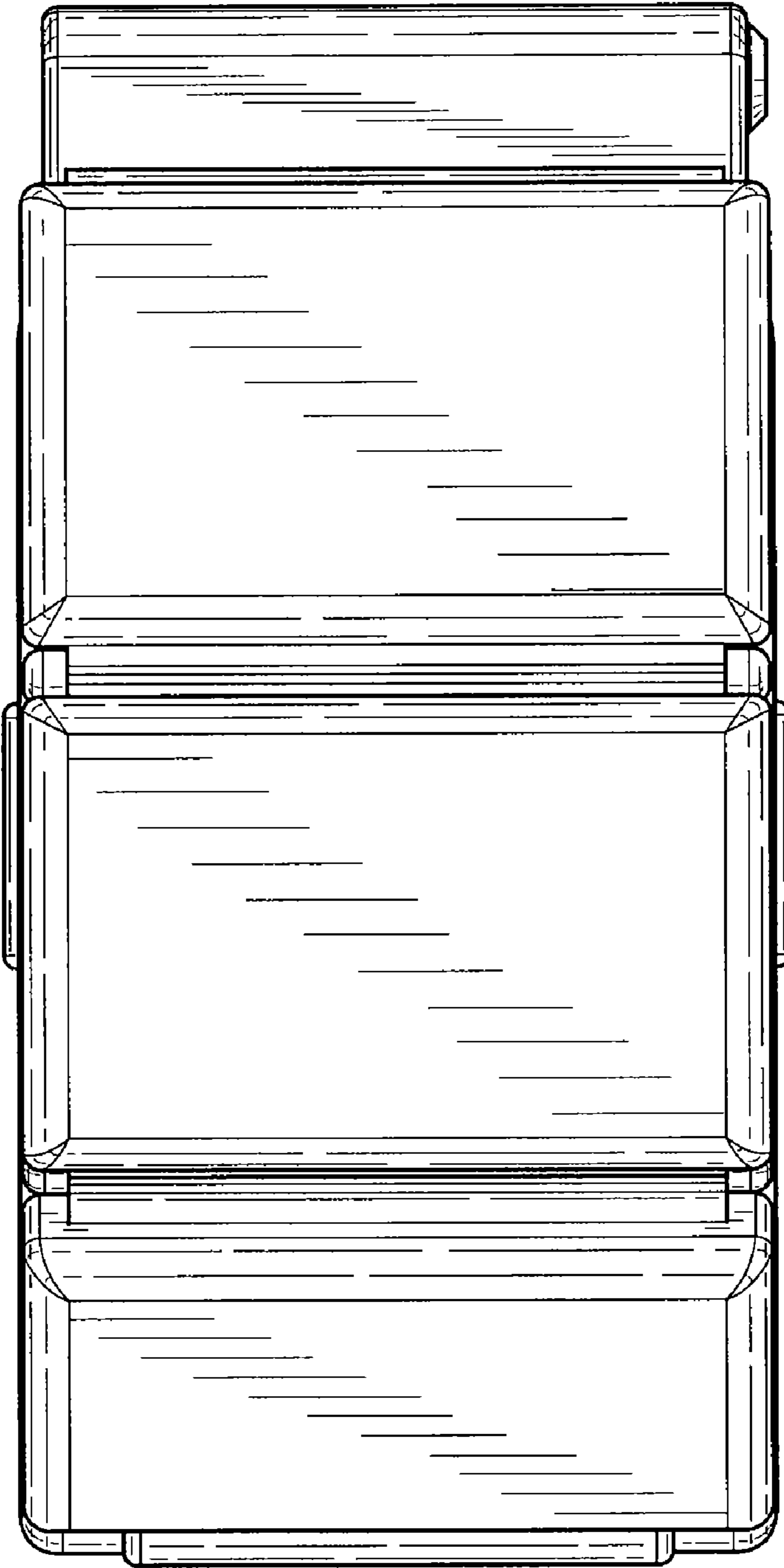
*Fig. 4*



*Fig. 5*

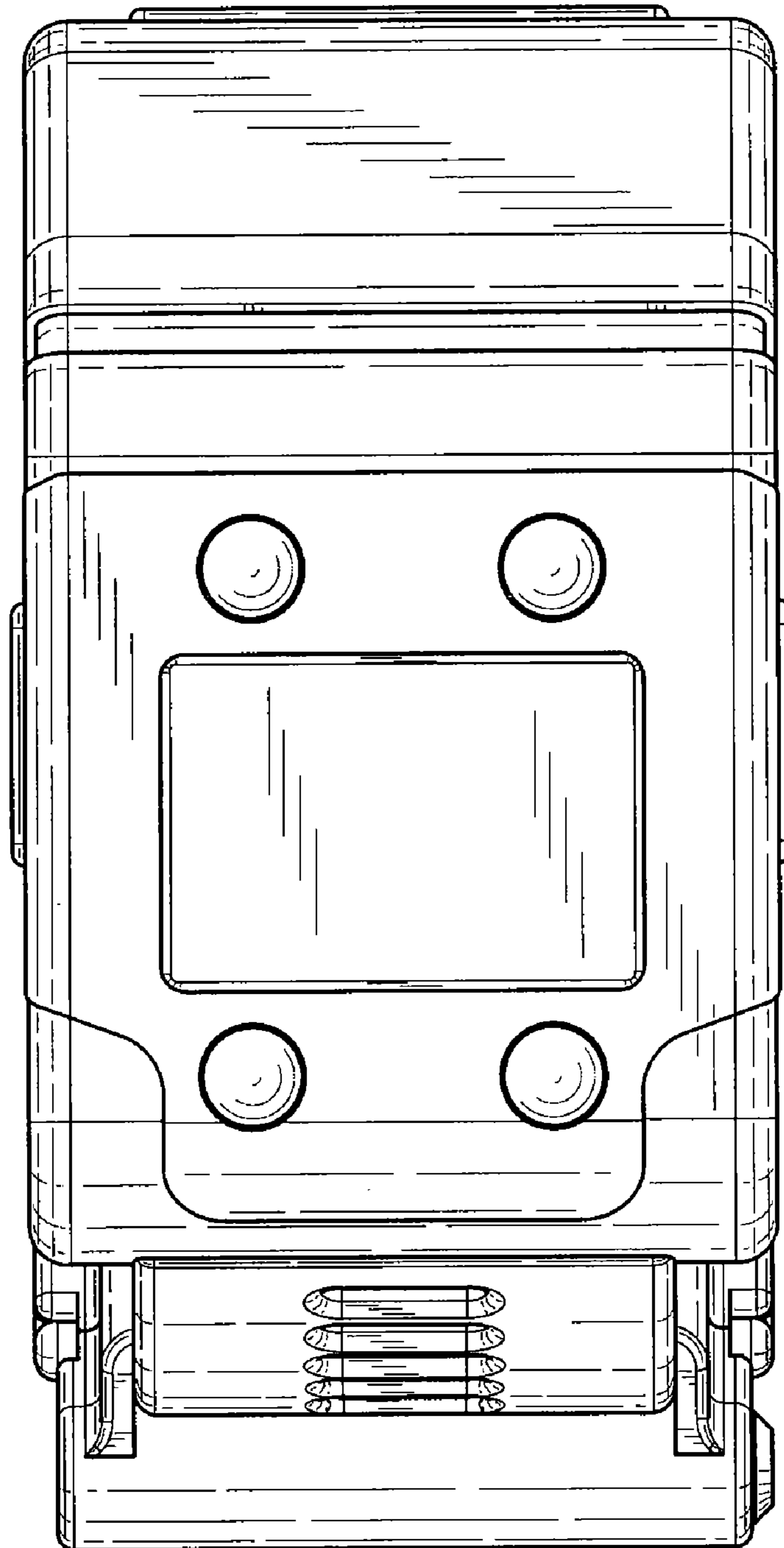


*Fig. 6*



*Fig. 7*





*Fig. 8*