



US00D623964S

(12) **United States Design Patent**  
**Petersen**

(10) **Patent No.:** **US D623,964 S**

(45) **Date of Patent:** **\*\* Sep. 21, 2010**

(54) **COMBINED TRAVEL DIGITAL ALARM  
CLOCK AND PICTURE FRAME**

(75) **Inventor:** **Christopher M. Petersen**, Milford, NH  
(US)

(73) **Assignee:** **Brookstone Purchasing, Inc.**,  
Merrimack, NH (US)

(\*\*) **Term:** **14 Years**

(21) **Appl. No.:** **29/285,662**

(22) **Filed:** **Apr. 4, 2007**

(51) **LOC (9) Cl.** ..... **10-01**

(52) **U.S. Cl.** ..... **D10/2; D10/15**

(58) **Field of Classification Search** ..... D10/1-29;  
368/10, 276, 278, 285, 223, 316, 317, 250-259;  
D6/300, 301, 309, 310, 312

See application file for complete search history.

(56) **References Cited**

**U.S. PATENT DOCUMENTS**

D95,189	S	*	4/1935	Schlenker	.....	D10/26
D103,553	S	*	3/1937	Sessions	.....	D10/26
D241,626	S	*	9/1976	Durco	.....	D10/15
D264,823	S	*	6/1982	Satoh	.....	D10/15
5,022,016	A	*	6/1991	Smith et al.	.....	368/223
D333,271	S	*	2/1993	Erlichman	.....	D10/2
D337,529	S	*	7/1993	Shimamura	.....	D10/18
D354,002	S	*	1/1995	Kawashima	.....	D10/2
D363,881	S	*	11/1995	Yung	.....	D10/18

(Continued)

*Primary Examiner*—Lucy Lieberman

(74) *Attorney, Agent, or Firm*—Grossman, Tucker, Perreault  
& Pflieger

(57) **CLAIM**

I claim the ornamental design for a combined travel digital alarm clock and picture frame, as shown and described.

**DESCRIPTION**

FIG. 1 is a perspective view of a combined travel digital alarm clock and picture frame shown in a partially open position.

FIG. 2 is a front elevation of the combined travel digital alarm clock and picture frame shown in a fully open position.

FIG. 3 is a front view of the combined travel digital alarm clock and picture frame shown in a closed position.

FIG. 4 is a rear view of the combined travel digital alarm clock and picture frame shown in the fully open position.

FIG. 5 is a rear view of the combined travel digital alarm clock and picture frame shown in a closed position.

FIG. 6 is a top plan view of the combined travel digital alarm clock and picture frame shown in a fully open position.

FIG. 7 is a top plan view of the combined travel digital alarm clock and picture frame shown in a closed position.

FIG. 8 is a bottom plan view of the combined travel digital alarm clock and picture frame shown in a fully open position.

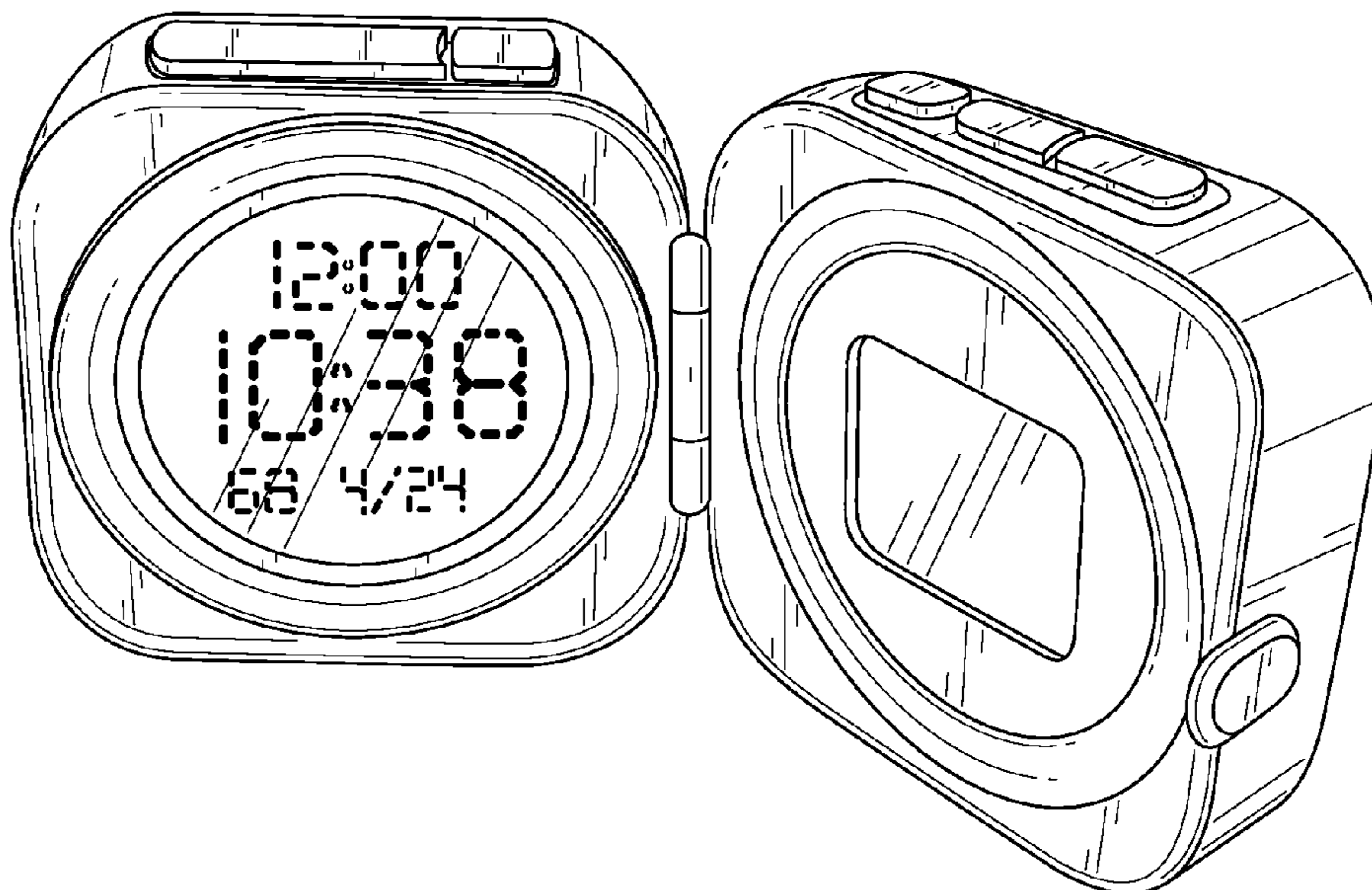
FIG. 9 is a bottom plan view of the combined travel digital alarm clock and picture frame shown in a closed position.

FIG. 10 is a right-side view of the combined travel digital alarm clock and picture frame shown in a closed position; and,

FIG. 11 is a left-side view of the combined travel digital alarm clock and picture frame shown in a closed position.

The broken lines in the drawings are used to show portions of the combined travel digital alarm clock and picture frame that do not form part of the claimed design.

**1 Claim, 6 Drawing Sheets**



# US D623,964 S

Page 2

---

## U.S. PATENT DOCUMENTS

D364,355 S	*	11/1995	George	.....	D10/18	D458,850 S	*	6/2002	Fong	.....	D10/18
D365,281 S	*	12/1995	Ng	.....	D10/25	6,443,615 B1	*	9/2002	Chan	.....	368/316
D451,816 S	*	12/2001	Sato	.....	D10/15	D529,823 S	*	10/2006	Tien	.....	D10/2
D452,166 S	*	12/2001	Sato	.....	D10/15	D553,508 S	*	10/2007	Lulic	.....	D10/14
						D573,580 S	*	7/2008	Haas	.....	D14/171

\* cited by examiner

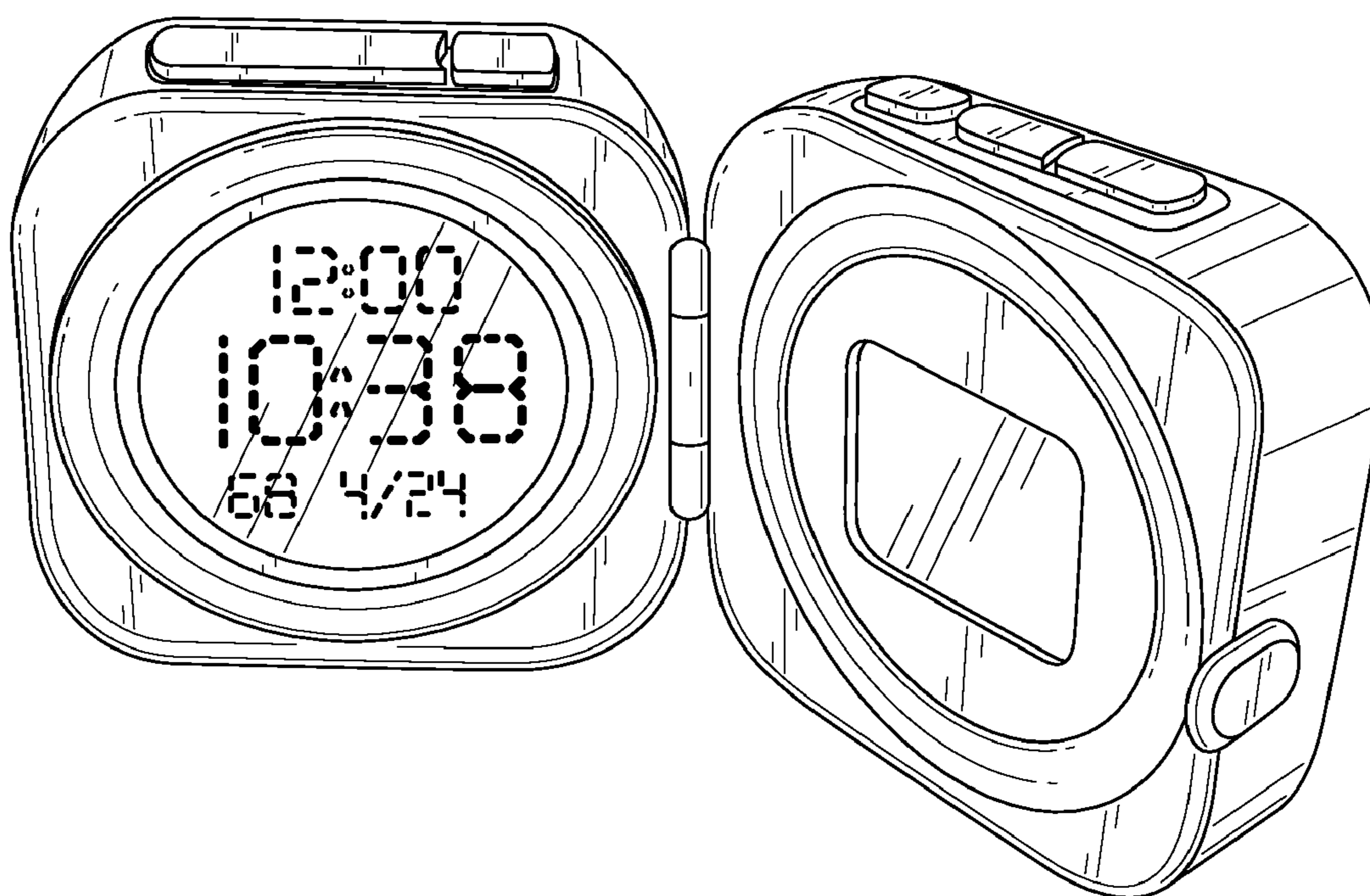


FIG. 1

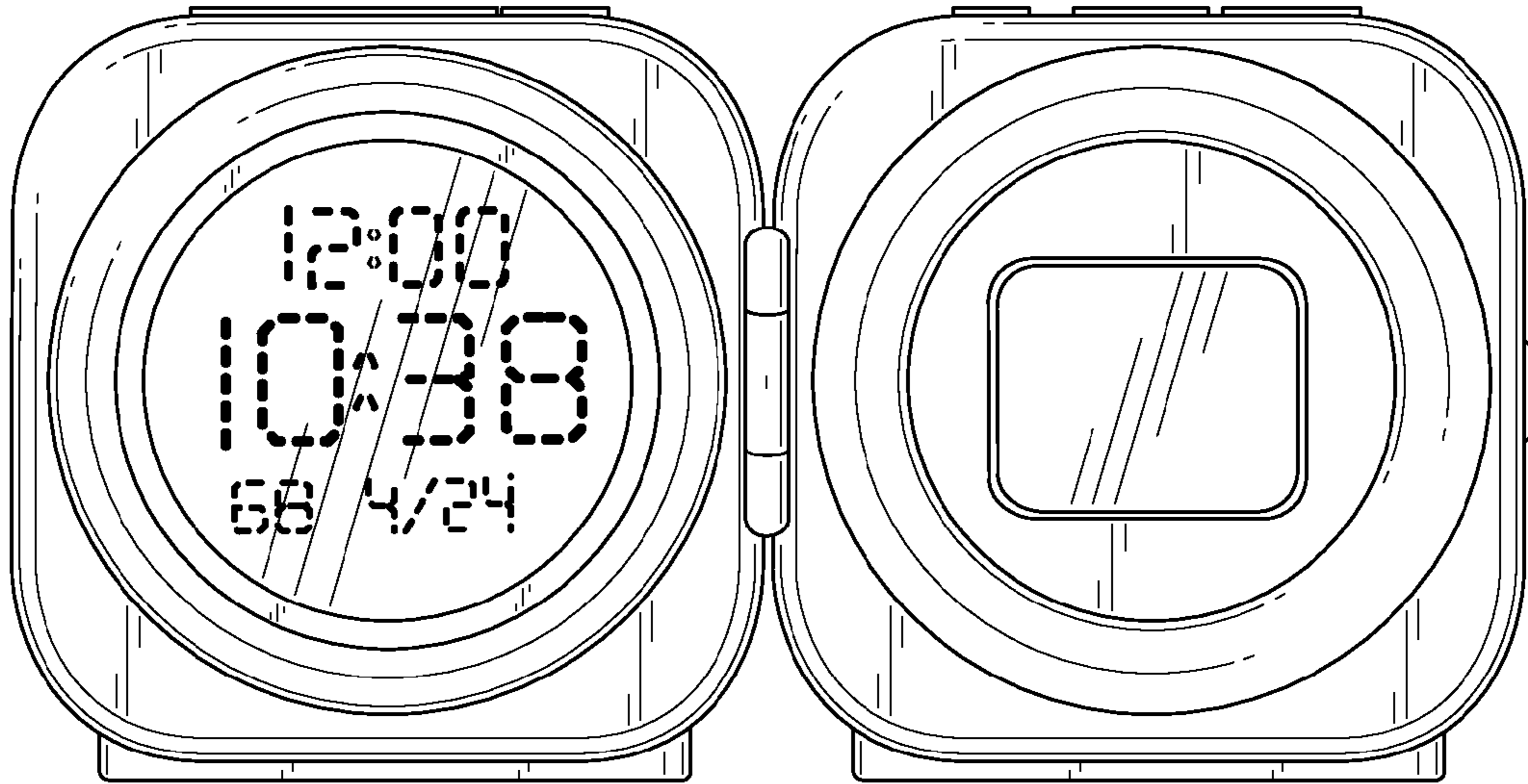


FIG. 2

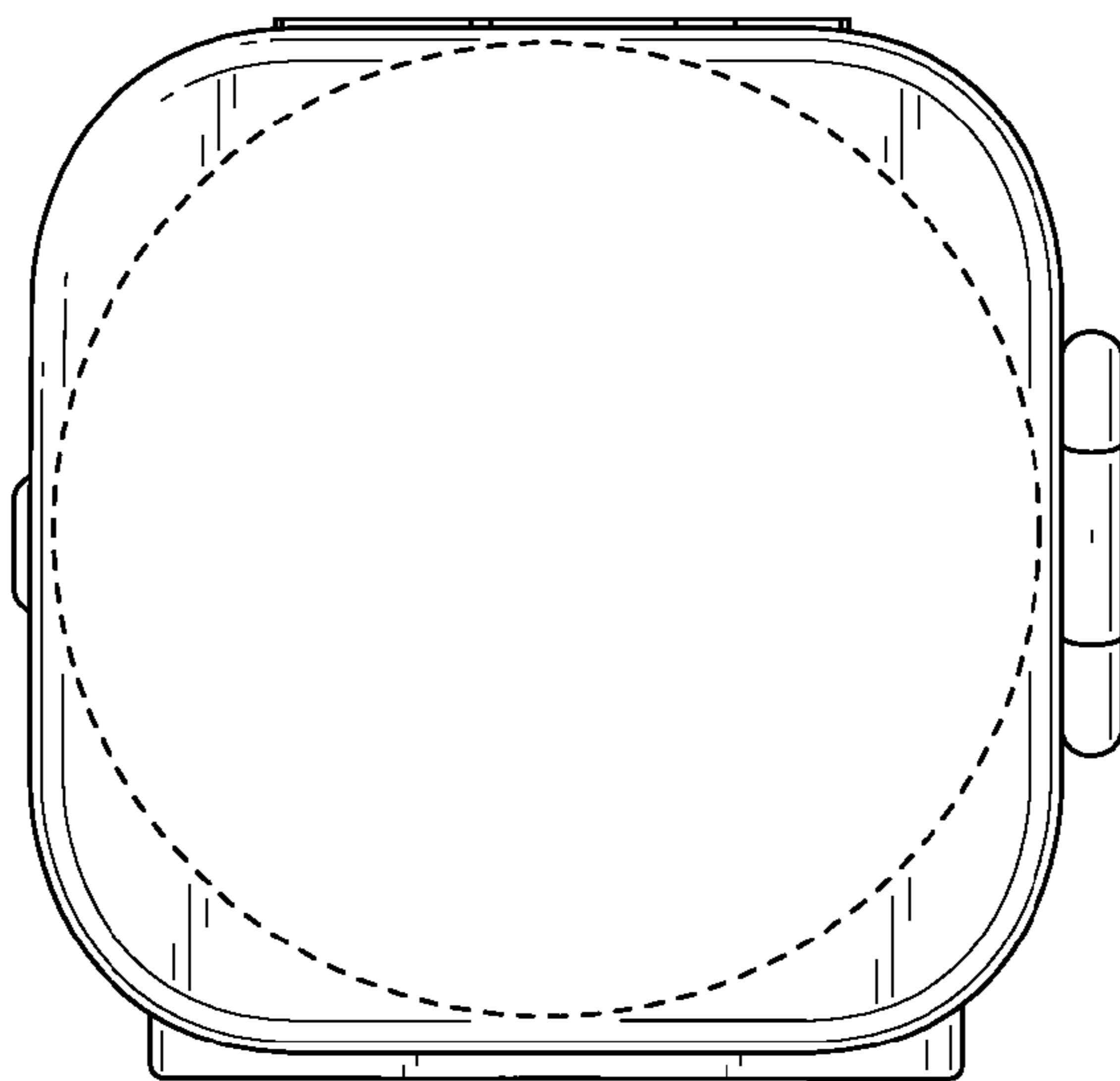


FIG. 3



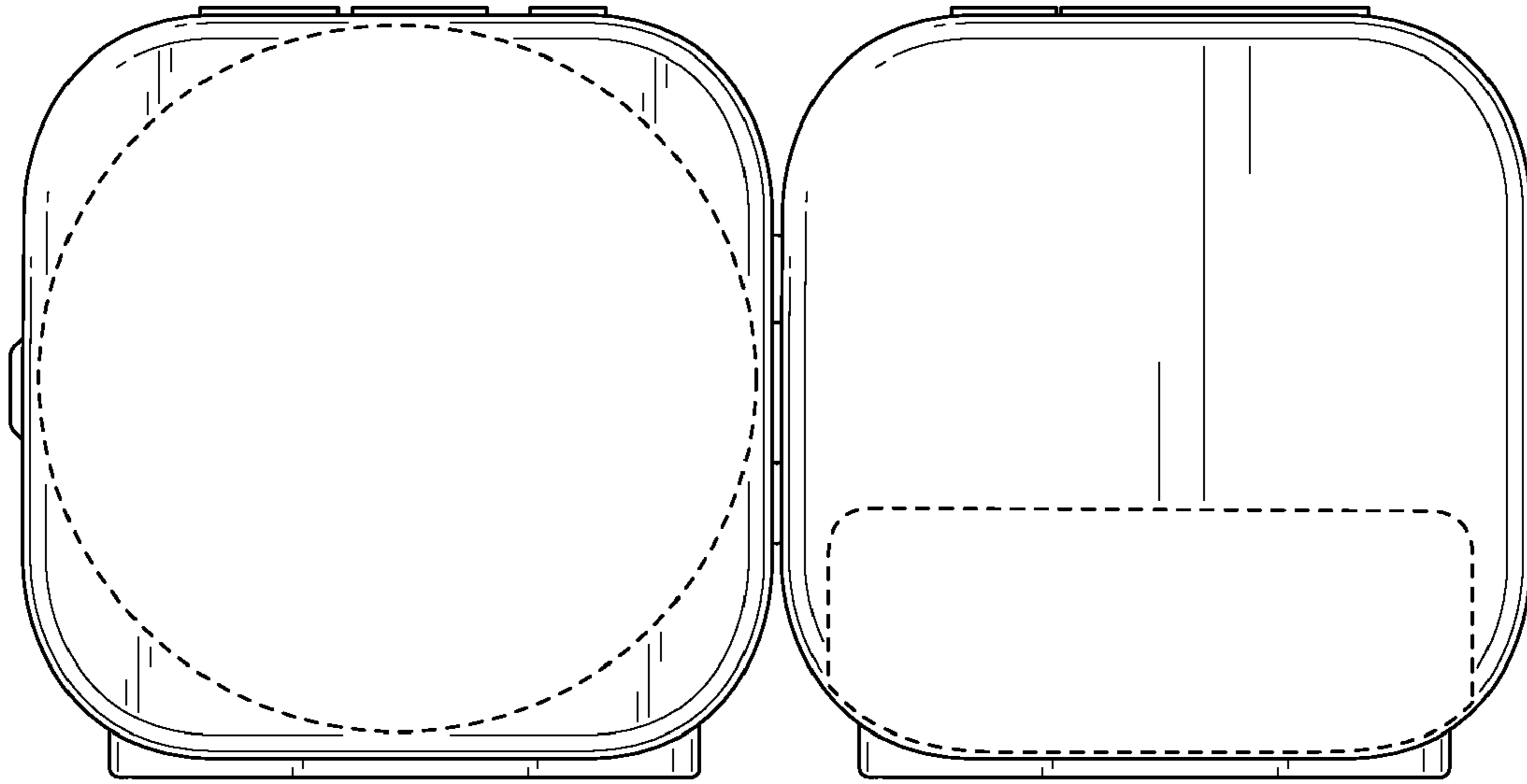


FIG. 4

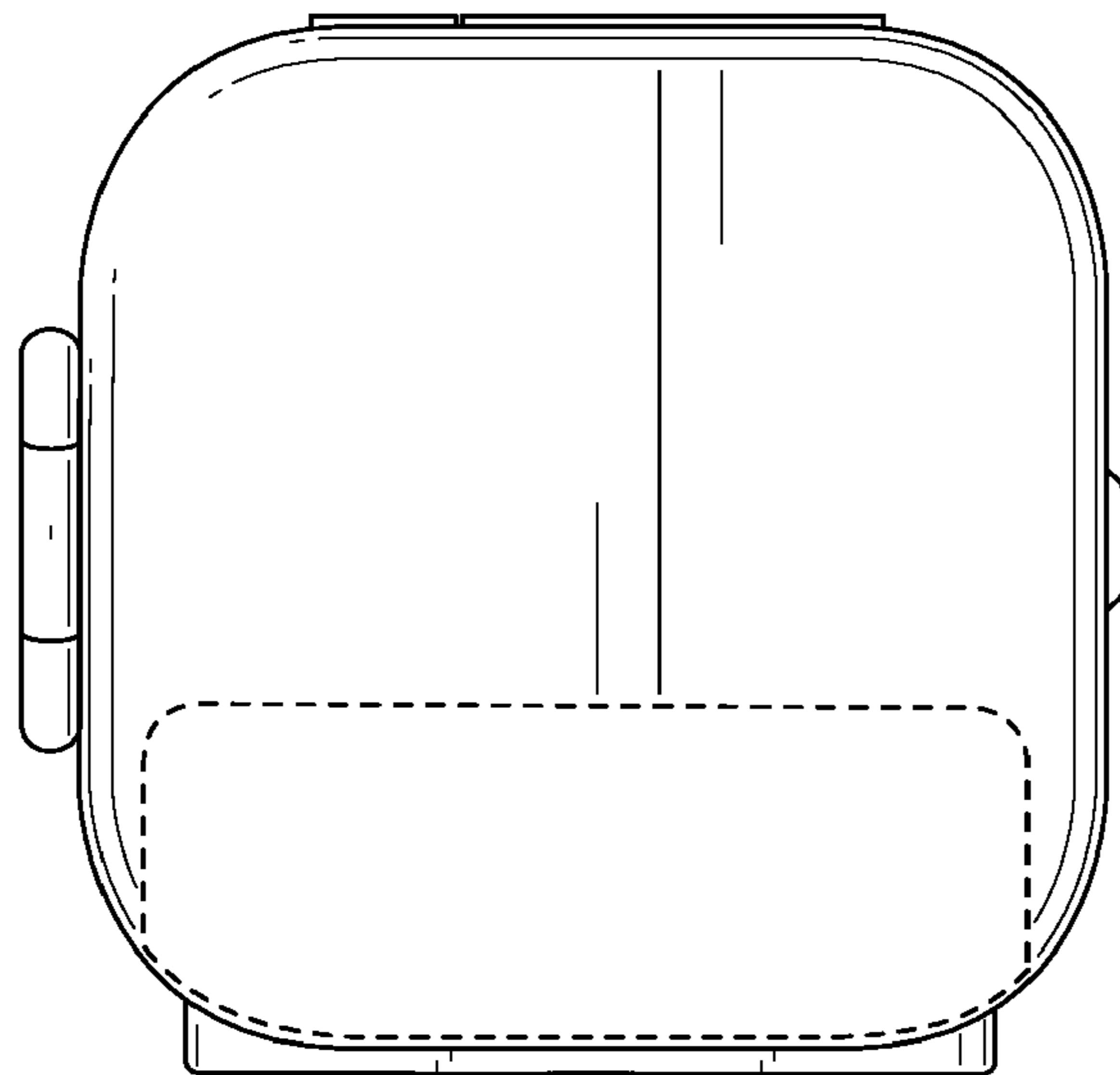


FIG. 5

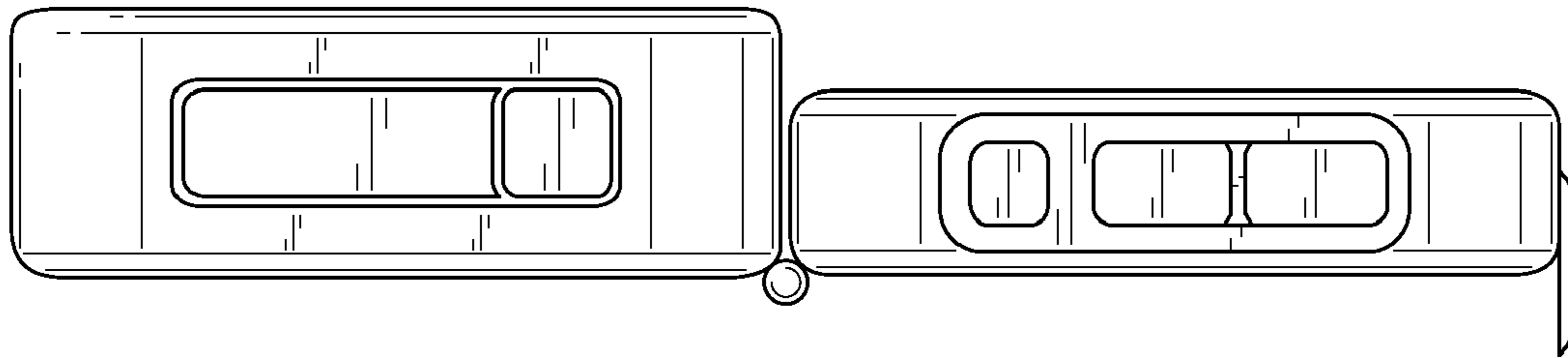


FIG. 6

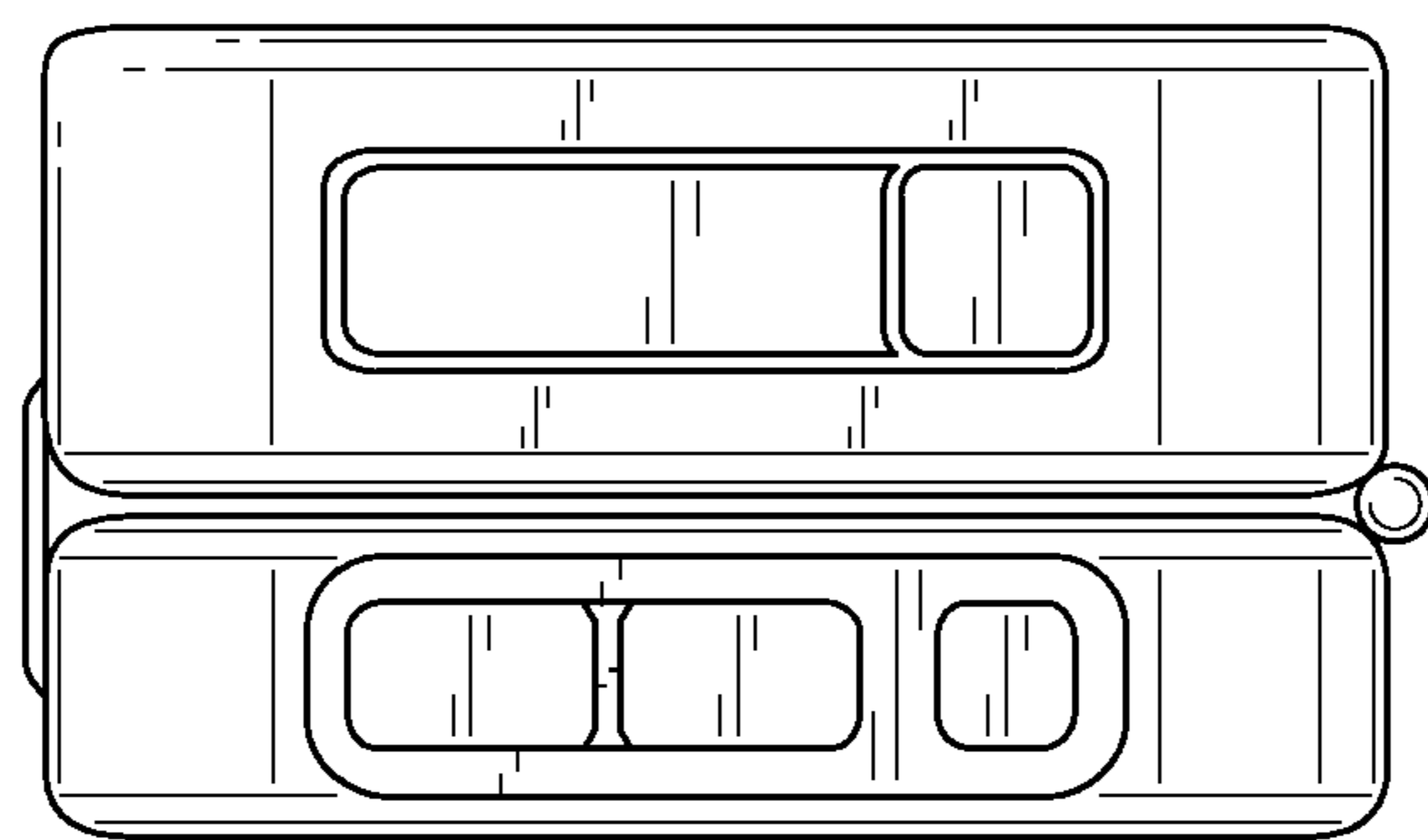


FIG. 7

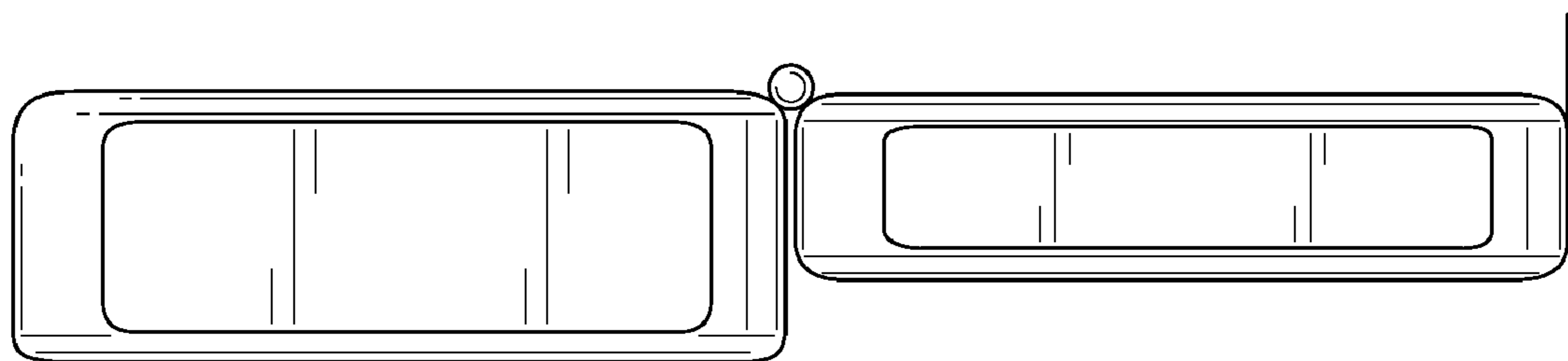


FIG. 8

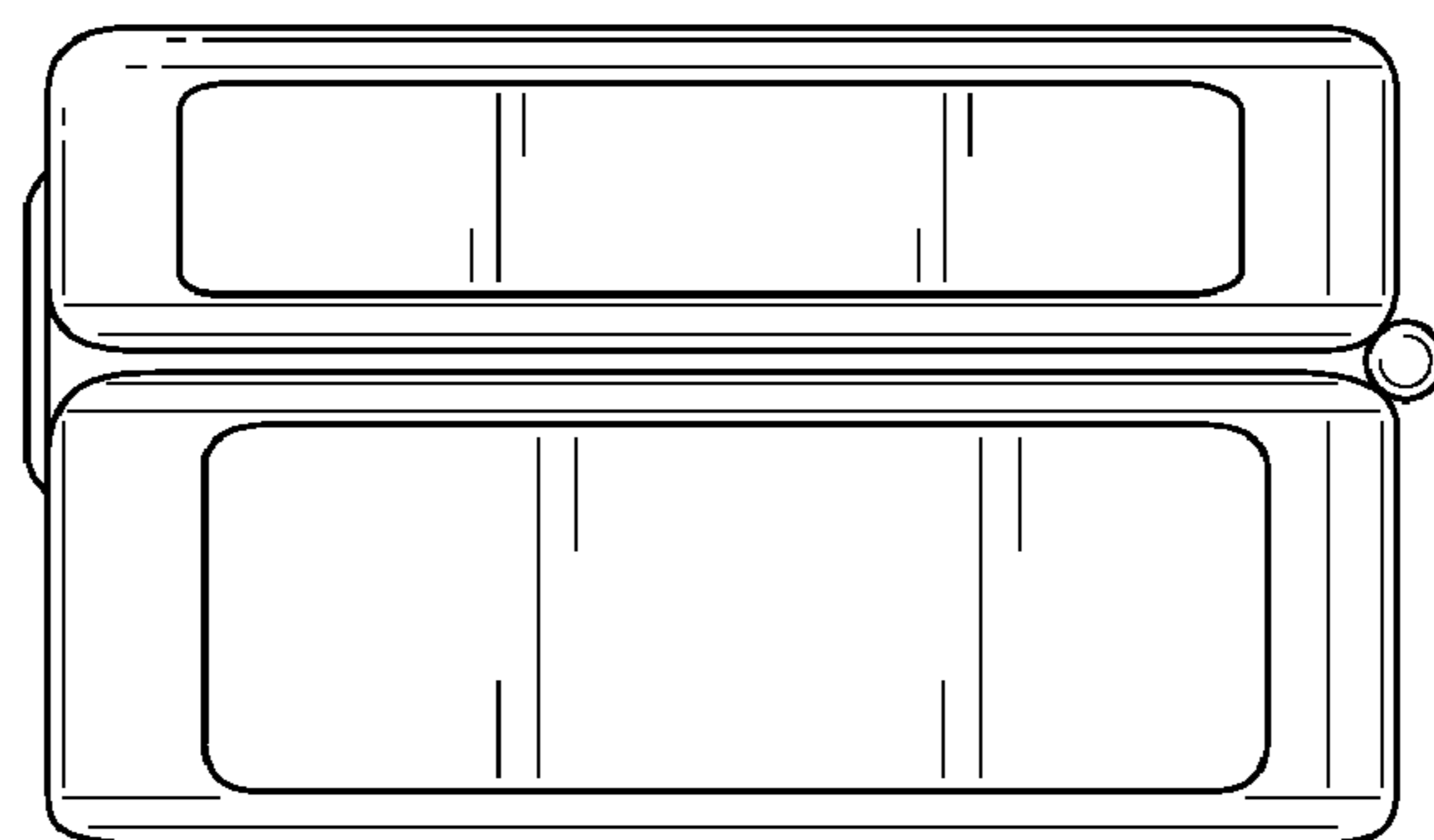


FIG. 9

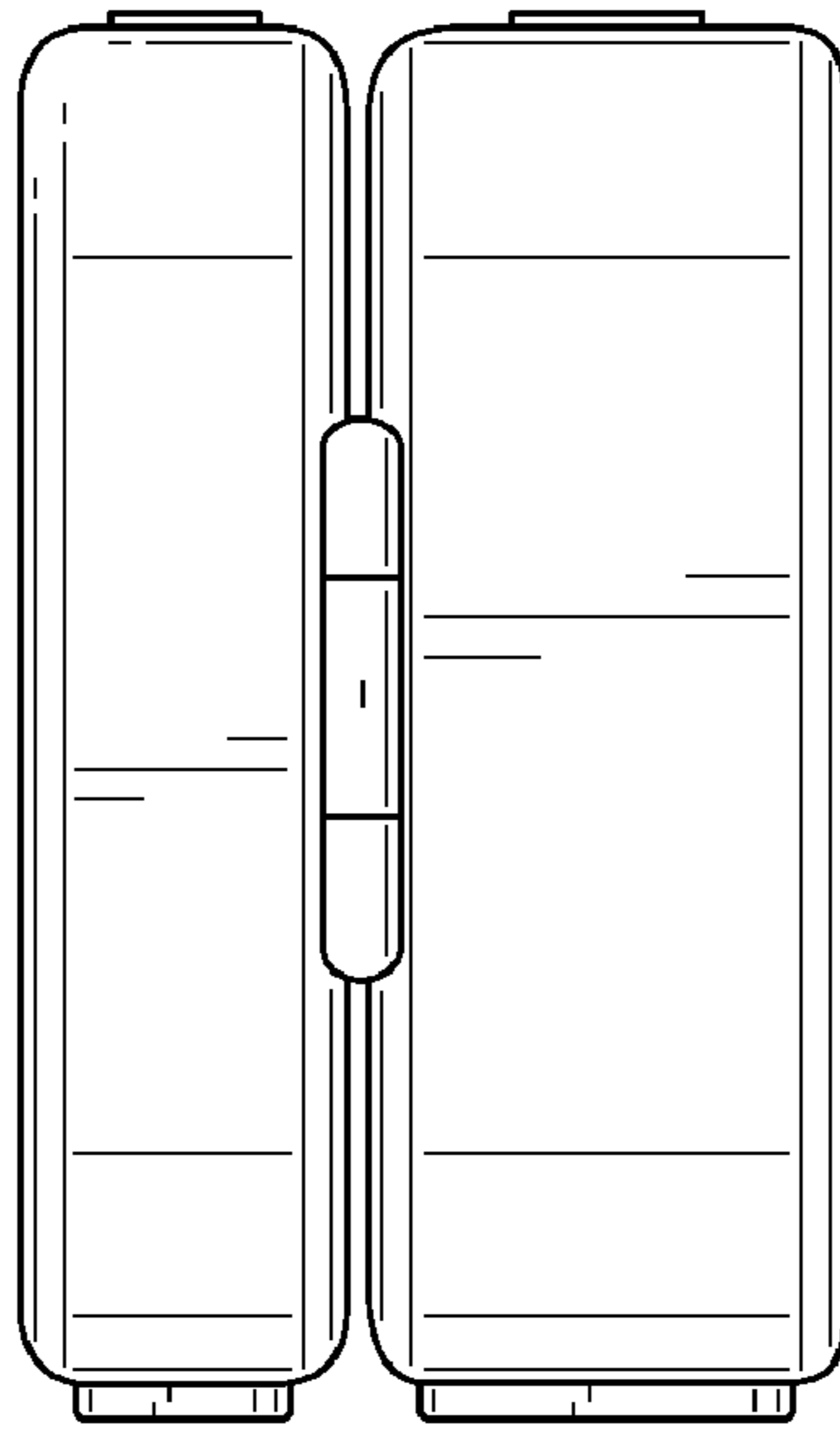


FIG. 10

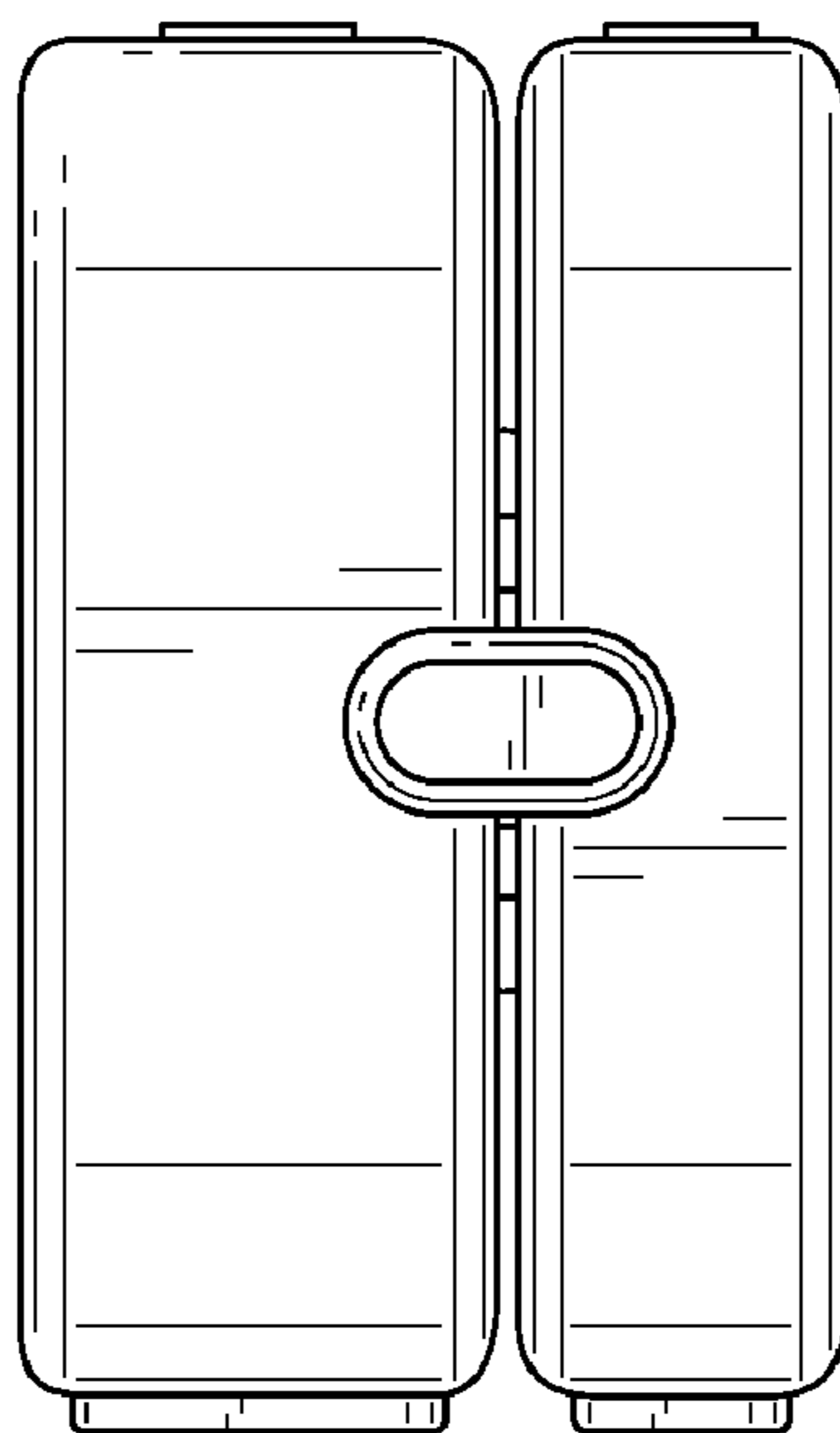


FIG. 11