



US00D623957S

(12) **United States Design Patent**
Canuto

(10) **Patent No.:** **US D623,957 S**
(45) **Date of Patent:** **** Sep. 21, 2010**

(54) **PACKAGE FOR CONFECTIONERY PRODUCTS**

D491,336 S * 6/2004 Cecere D1/102
D491,337 S * 6/2004 Benson et al. D1/102
D582,281 S * 12/2008 Zanaletti D9/519
D600,567 S * 9/2009 Hernandez et al. D9/643

(75) Inventor: **Franco Canuto**, Racca Di Guarene (IT)

* cited by examiner

(73) Assignee: **Soremartec S.A.**, Arlon (BE)

Primary Examiner—Sandra Morris

(**) Term: **14 Years**

(74) *Attorney, Agent, or Firm*—Rothwell, Figg, Ernst & Manbeck, P.C.

(21) Appl. No.: **29/337,565**

(22) Filed: **May 26, 2009**

(57) **CLAIM**

(30) **Foreign Application Priority Data**

The ornamental design for a package for confectionery products, as shown and described.

Nov. 26, 2008 (WO) DM/070 999

DESCRIPTION

(51) **LOC (9) Cl.** **09-01**

FIG. 1 shows the front elevation view of the package for confectionery products;

(52) **U.S. Cl.** **D9/643**; D9/519

FIG. 2 shows the rear elevation view of the package;

(58) **Field of Classification Search** D1/102,
D1/105, 127; D9/600, 643, 516, 517, 519,
D9/414; 206/457, 527

FIG. 3 shows the right side elevation view of the package;

See application file for complete search history.

FIG. 4 shows the left side elevation view of the package;

FIG. 5 shows the top plan view of the package;

(56) **References Cited**

FIG. 6 shows the bottom plan of the package; and,

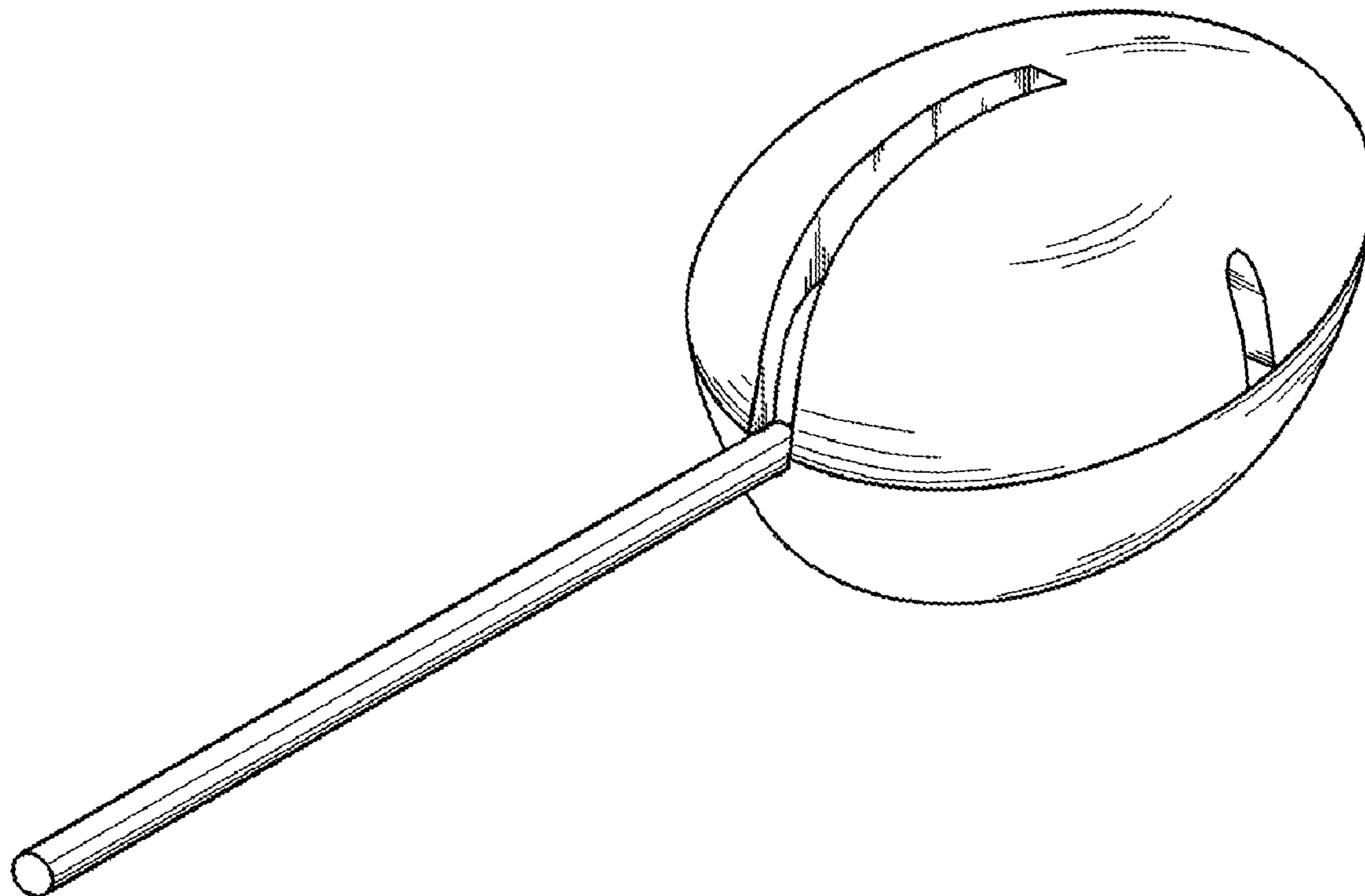
U.S. PATENT DOCUMENTS

FIG. 7 shows the perspective elevation view of the package.

1,847,415 A * 3/1932 Snell D1/127

D480,531 S * 10/2003 Colle et al. D1/102

1 Claim, 7 Drawing Sheets



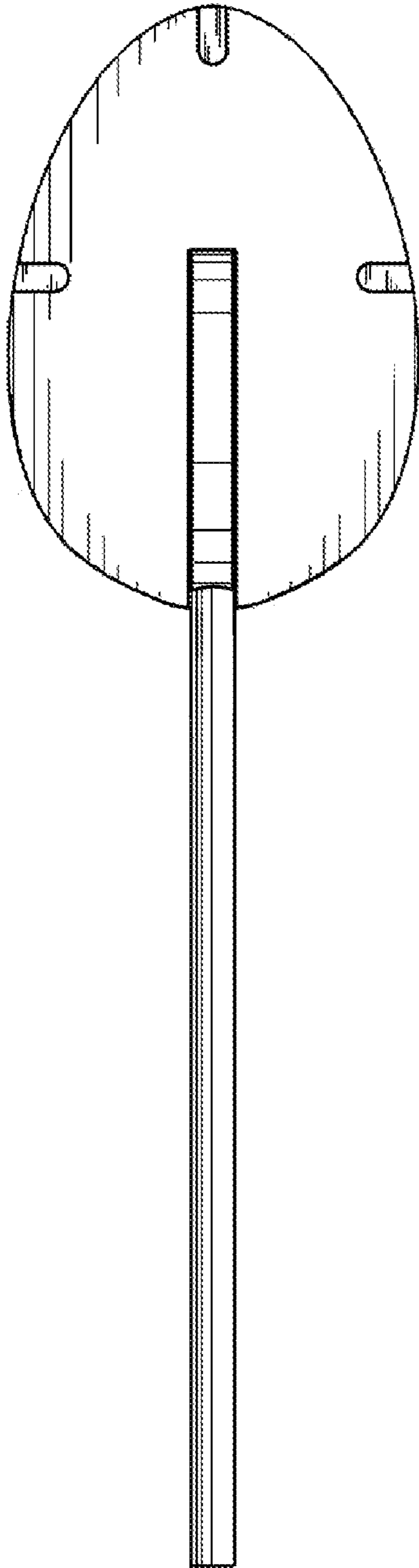


FIG. 1

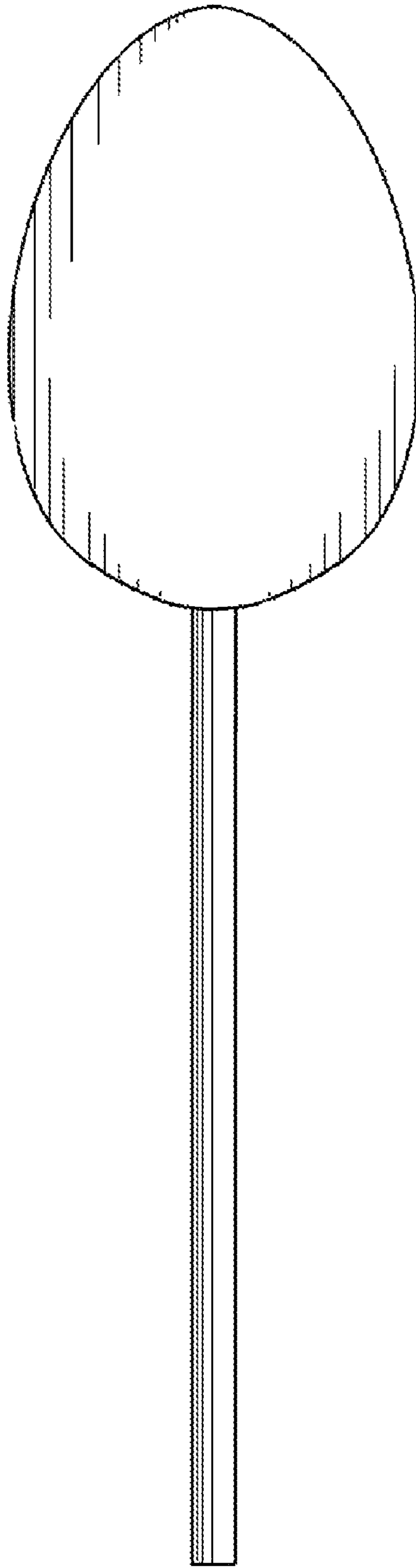


FIG.2

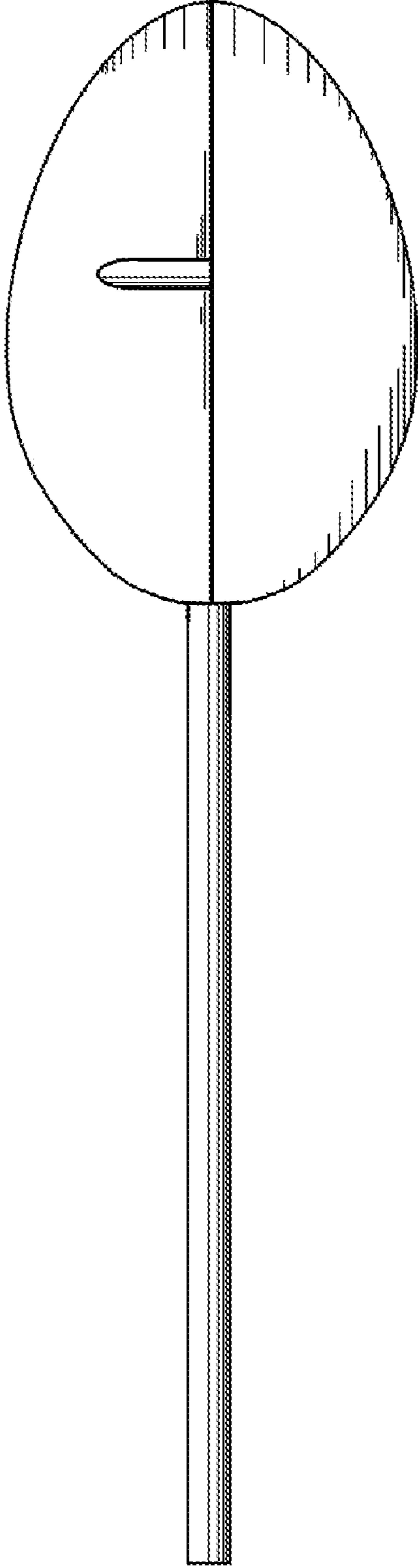


FIG. 3

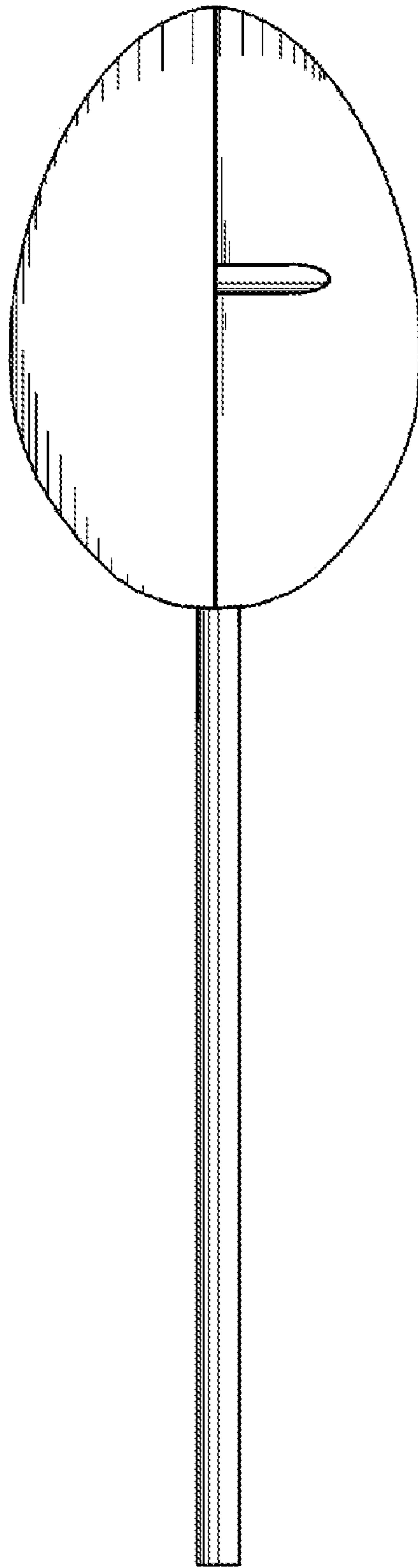


FIG.4

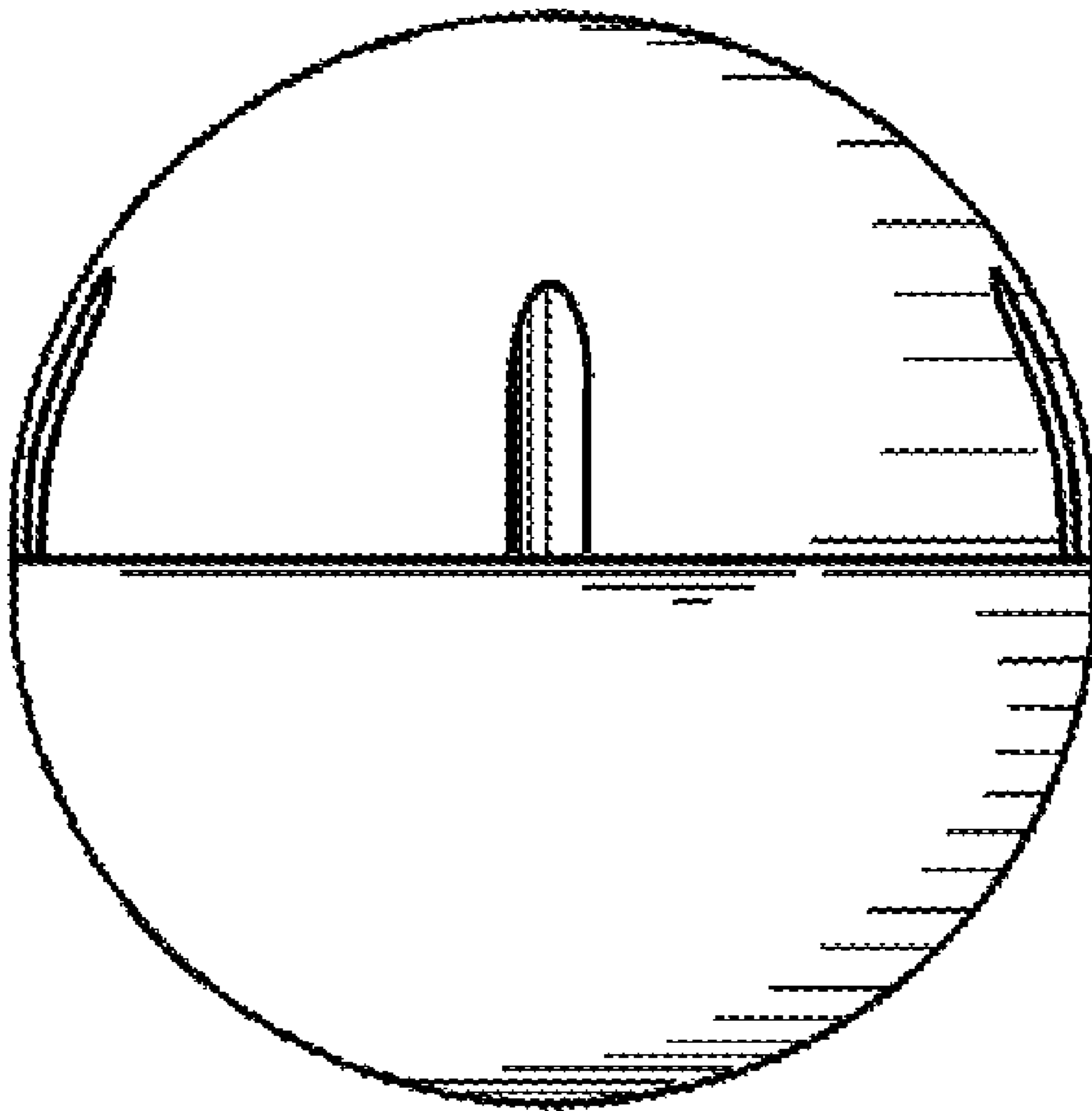


FIG. 5

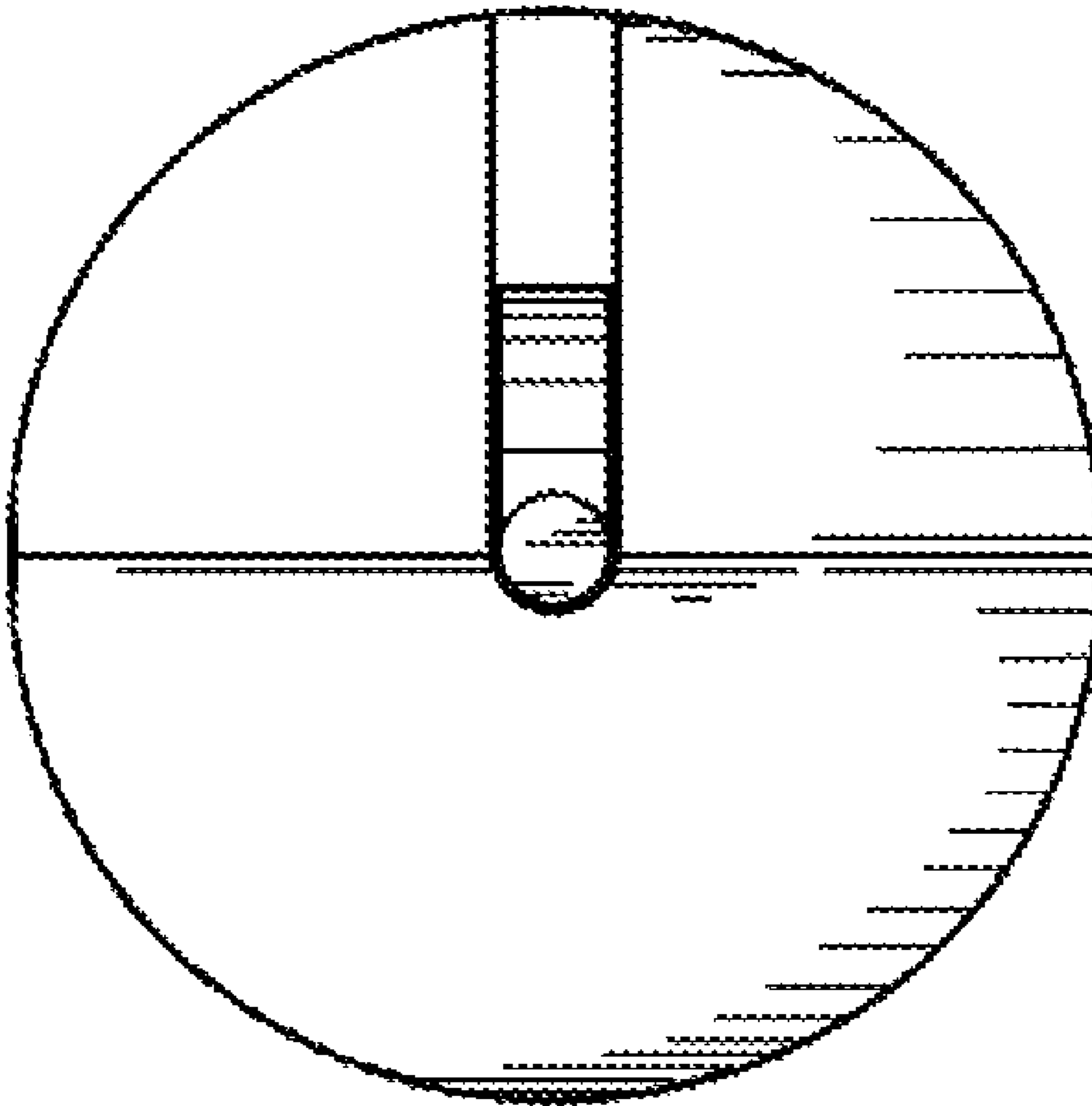


FIG. 6

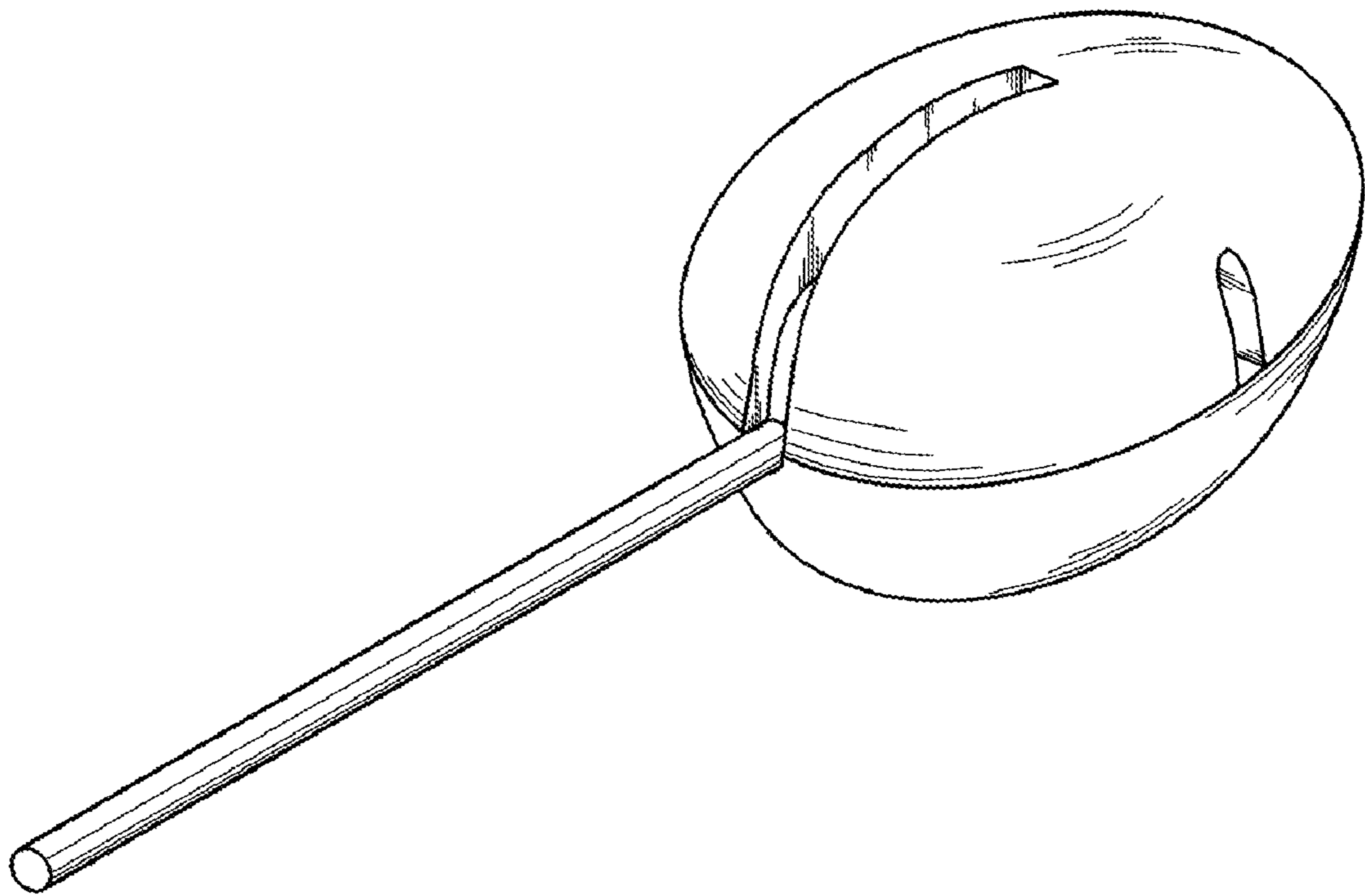


FIG.7