



US00D623955S

(12) **United States Design Patent**
Lembke et al.

(10) **Patent No.:** **US D623,955 S**
(45) **Date of Patent:** **** Sep. 21, 2010**

(54) **BOTTLE**

(75) Inventors: **Bryan J. Lembke**, Crystal Lake, IL (US); **Samantha Brown**, Crystal Lake, IL (US); **Grover John Manderfield**, Marietta, GA (US)

(73) Assignee: **Tropicana Products, Inc.**, Bradenton, FL (US)

(**) Term: **14 Years**

(21) Appl. No.: **29/355,471**

(22) Filed: **Feb. 8, 2010**

5,908,136 A	6/1999	Mrak	
5,918,754 A	7/1999	Lyons et al.	
D429,643 S	8/2000	Case	
6,223,945 B1	5/2001	Giblin et al.	
6,237,792 B1	5/2001	Skolnicki et al.	
6,269,962 B1	8/2001	Anderson et al.	
6,460,715 B1	10/2002	Yonemori et al.	
D472,151 S *	3/2003	Warren et al. D9/528
D502,875 S	3/2005	Bowen et al.	
7,357,267 B1	4/2008	Shimada et al.	
D583,244 S	12/2008	Weyland et al.	
2003/0006210 A1	1/2003	Iizuka et al.	
2003/0155324 A1	8/2003	McCollum et al.	
2003/0206998 A1	11/2003	Romeo et al.	
2003/0234236 A1	12/2003	Michalowski	
2004/0164048 A1	8/2004	Yourist	
2004/0200848 A1	10/2004	Roubal et al.	

Related U.S. Application Data

(62) Division of application No. 29/337,822, filed on May 29, 2009.

(51) **LOC (9) Cl.** **09-01**

(52) **U.S. Cl.** **D9/531**

(58) **Field of Classification Search** D9/516,
D9/528, 531, 532, 563, 572, 575; 215/379–386,
215/395, 396, 398, 399

See application file for complete search history.

(56) **References Cited**

U.S. PATENT DOCUMENTS

D294,115 S	2/1988	Jacobs et al.	
4,759,454 A	7/1988	Nowicki et al.	
4,846,359 A	7/1989	Baird et al.	
4,869,370 A	9/1989	Rohmann	
D304,998 S	12/1989	Pardo et al.	
4,896,913 A	1/1990	Kennedy	
5,087,406 A	2/1992	Krall et al.	
D332,748 S *	1/1993	Reece et al. D9/528
5,358,148 A	10/1994	Hanifl et al.	
5,392,950 A	2/1995	Foss et al.	
D357,631 S	4/1995	Beaver	
D368,034 S	3/1996	Lewin	
D371,740 S	7/1996	Lathrop et al.	
D378,664 S *	4/1997	Feen D9/528
5,833,115 A	11/1998	Eiten	

(Continued)

Primary Examiner—Shanda C Hill
(74) *Attorney, Agent, or Firm*—Banner & Witcoff, Ltd.

(57) **CLAIM**

The ornamental design for a bottle, as shown and described.

DESCRIPTION

FIG. 1 is a front left perspective view of a bottle showing our new design;

FIG. 2 is a right view thereof;

FIG. 3 is a rear side view thereof;

FIG. 4 is a left side view thereof;

FIG. 5 is a front view thereof;

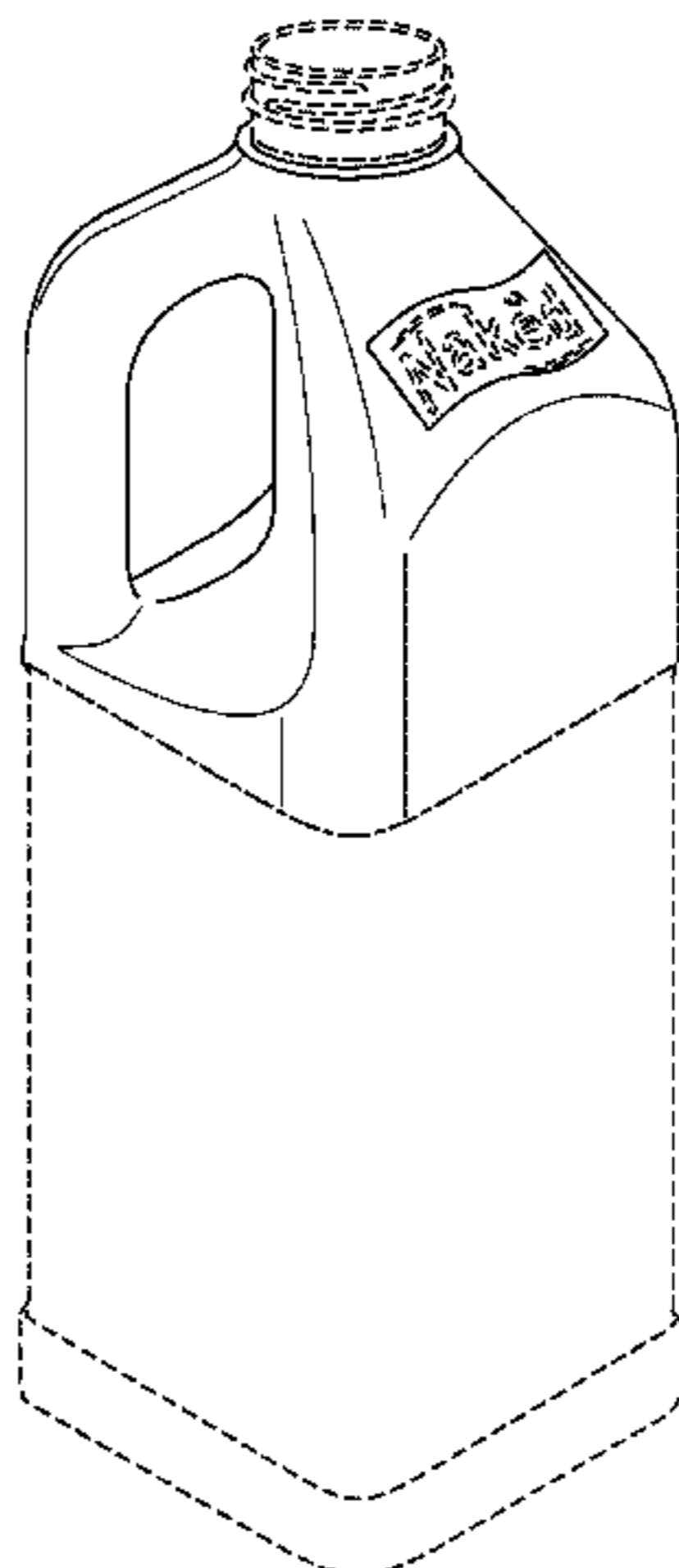
FIG. 6 is a top view thereof;

FIG. 7 is a bottom view thereof; and,

FIG. 8 is a bottom front left perspective view thereof.

The broken lines shown in the drawing disclosure are for illustrative purposes only and form no part of the claimed design. The dash-dot lines shown in the drawing disclosure define the boundary of the claim and form no part of the claimed design.

1 Claim, 7 Drawing Sheets



US D623,955 S

Page 2

U.S. PATENT DOCUMENTS

2004/0217084	A1	11/2004	Ohlsson	2006/0065619	A1	3/2006	Warren et al.
2005/0035084	A1	2/2005	Simpson, Jr. et al.	2007/0007236	A1	1/2007	Casscles et al.
2005/0082251	A1	4/2005	Darr et al.	2007/0023978	A1	2/2007	Larson et al.
2005/0115919	A1	6/2005	Itokawa et al.	2007/0068897	A1	3/2007	Miller et al.
2005/0139574	A1	6/2005	Simone et al.	2007/0095785	A1	5/2007	Ishikawa et al.
2006/0011574	A1	1/2006	Itokawa et al.	2007/0221606	A1	9/2007	Eiten et al.
2006/0037931	A1	2/2006	Hahn	2008/0110849	A1	5/2008	Wachsberg

* cited by examiner

Fig. 1

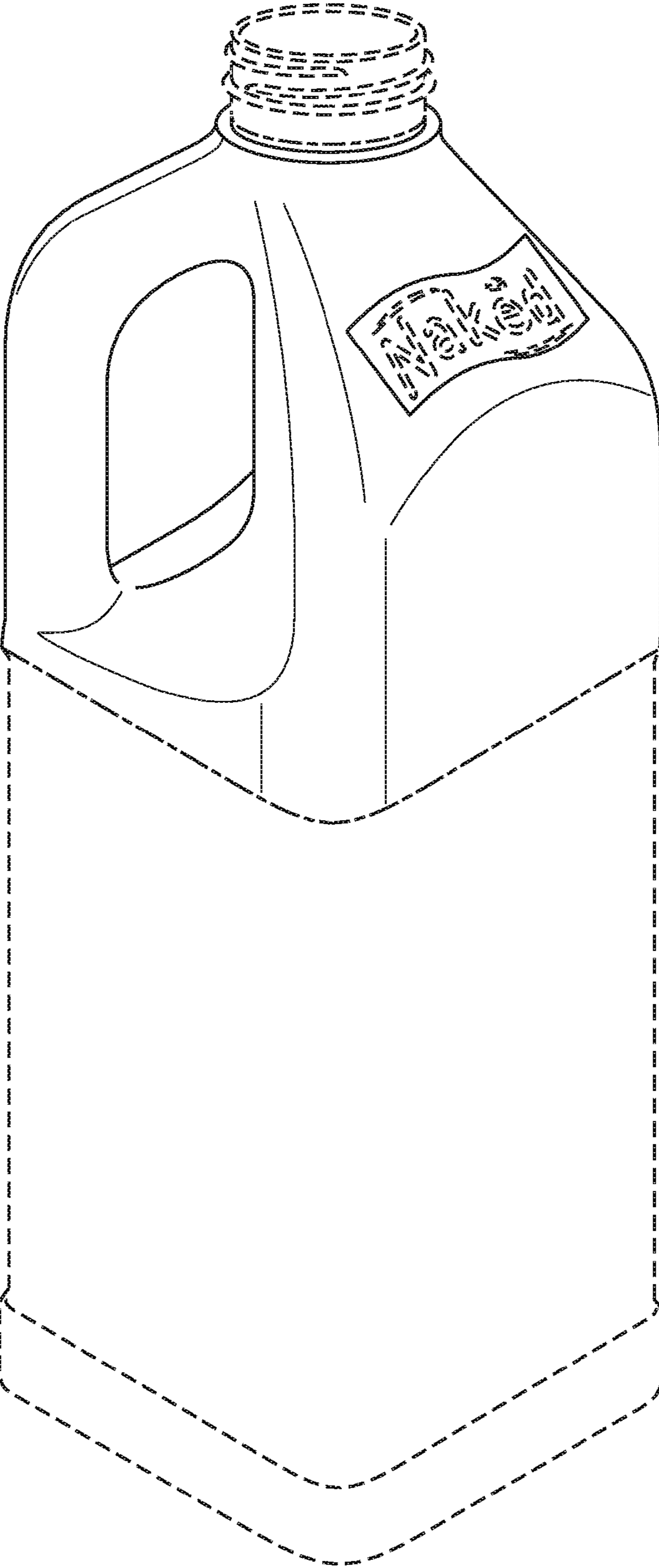


Fig. 2

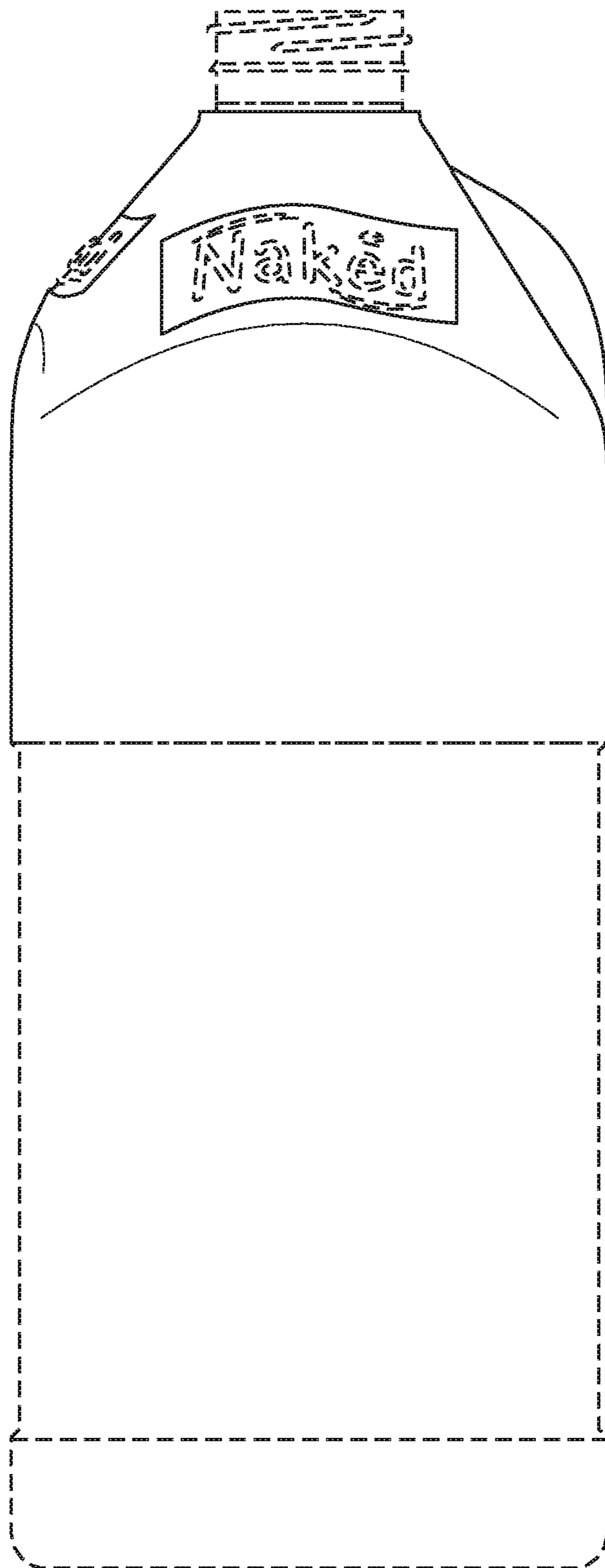


Fig. 3

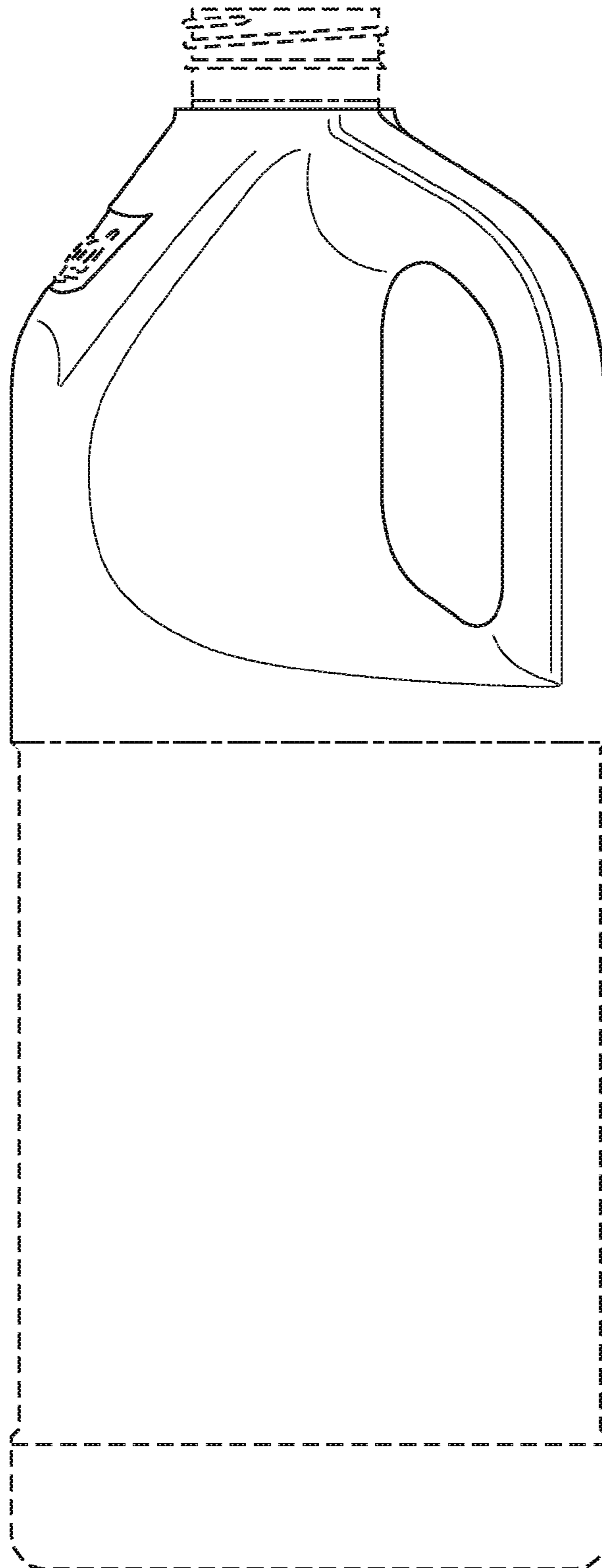


Fig. 4

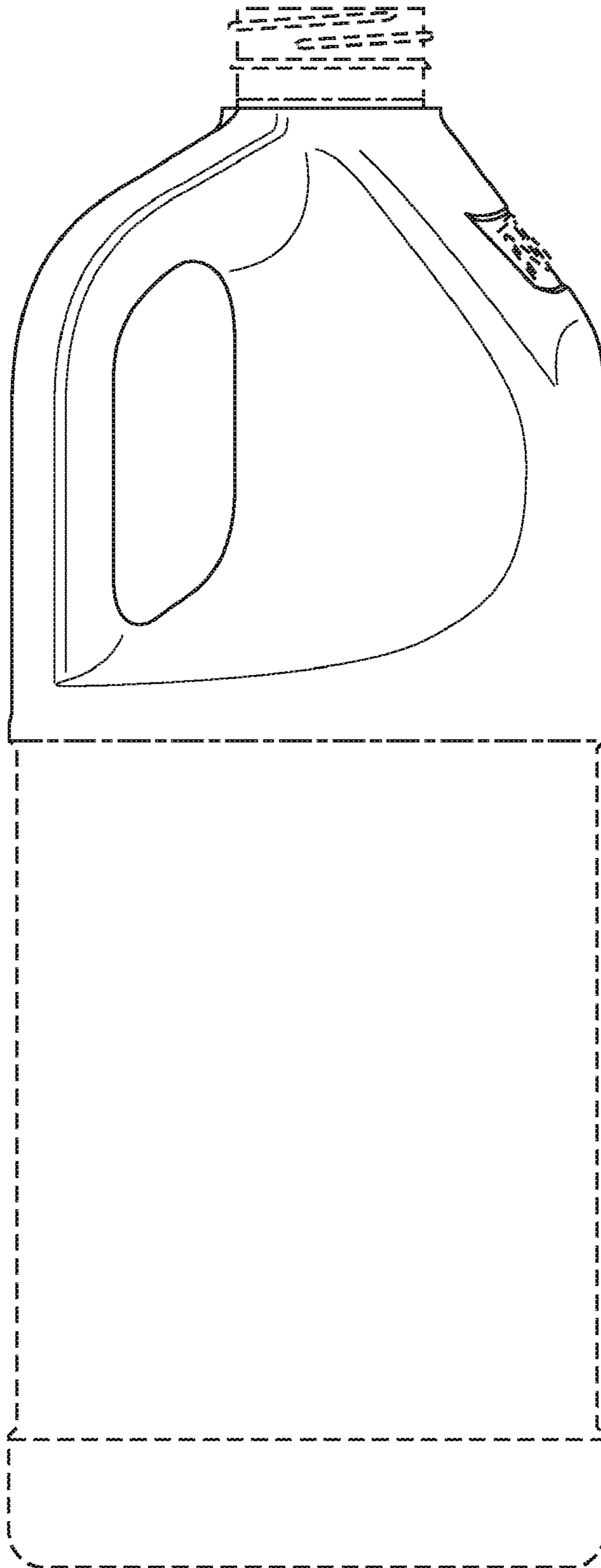


Fig. 5

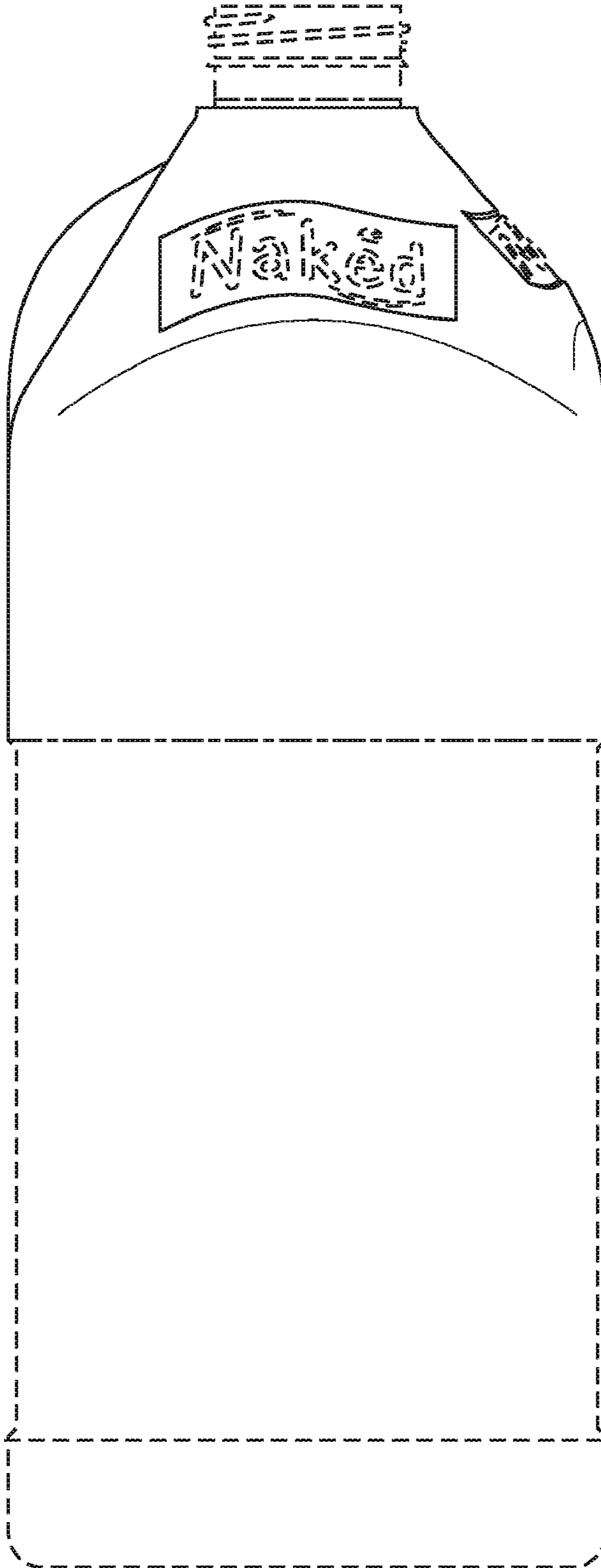


Fig. 6

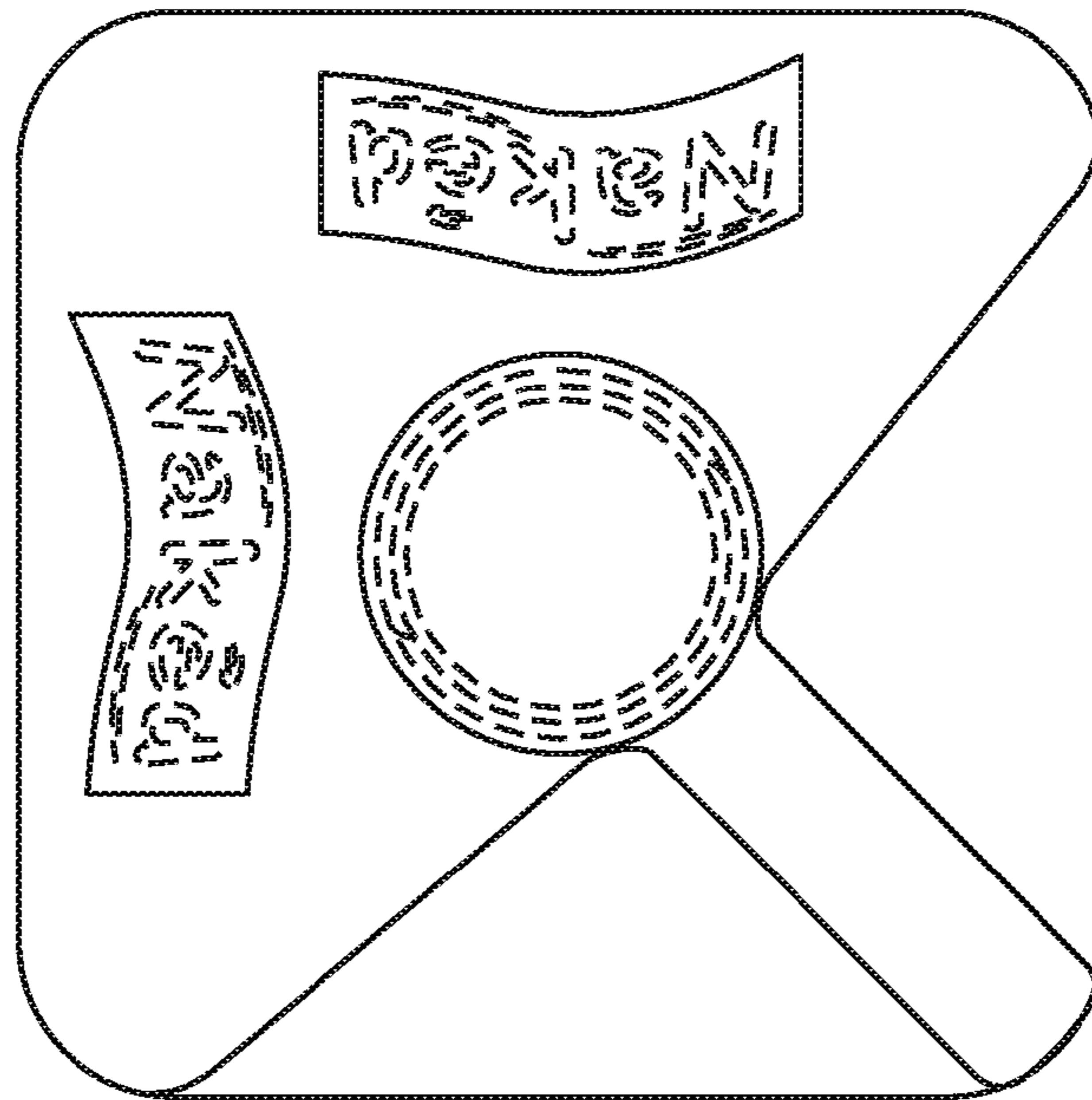


Fig. 7

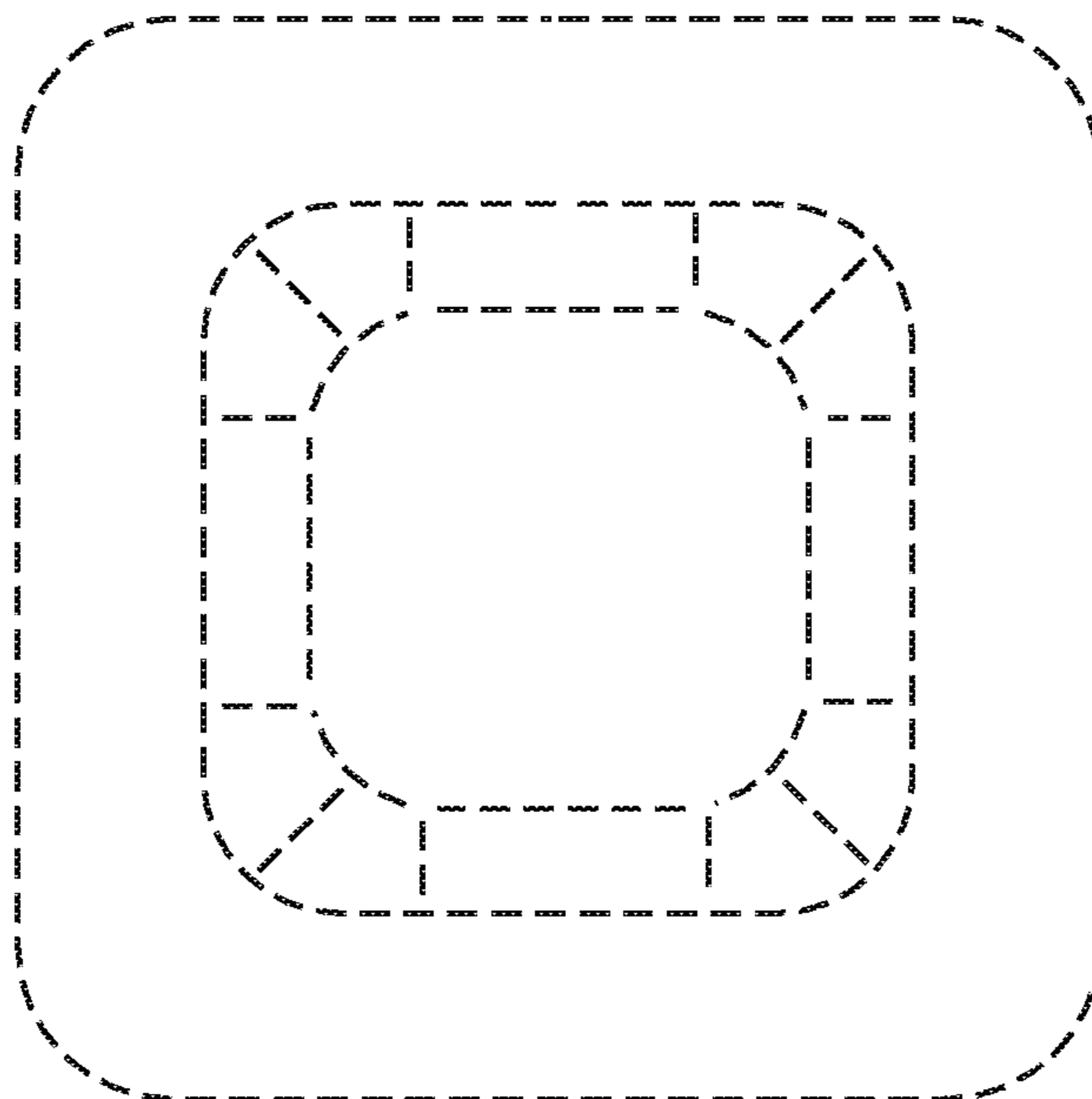


Fig. 8

